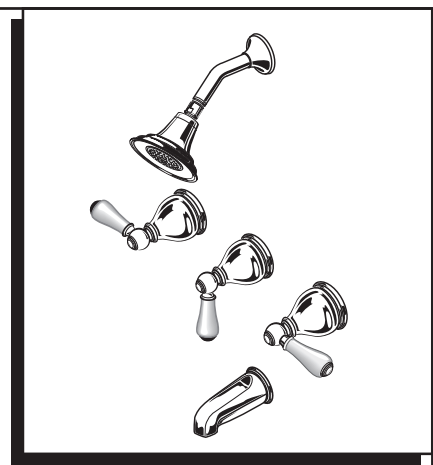


American Standard

Williamsburg™

THREE HANDLE BATH/SHOWER SET  
WITH TRANSFER VALVE

# Installation Instructions 1043 SERIES



Certified to comply with ANSI A112.18.1M  
U.S. Patent No. 5,819,789

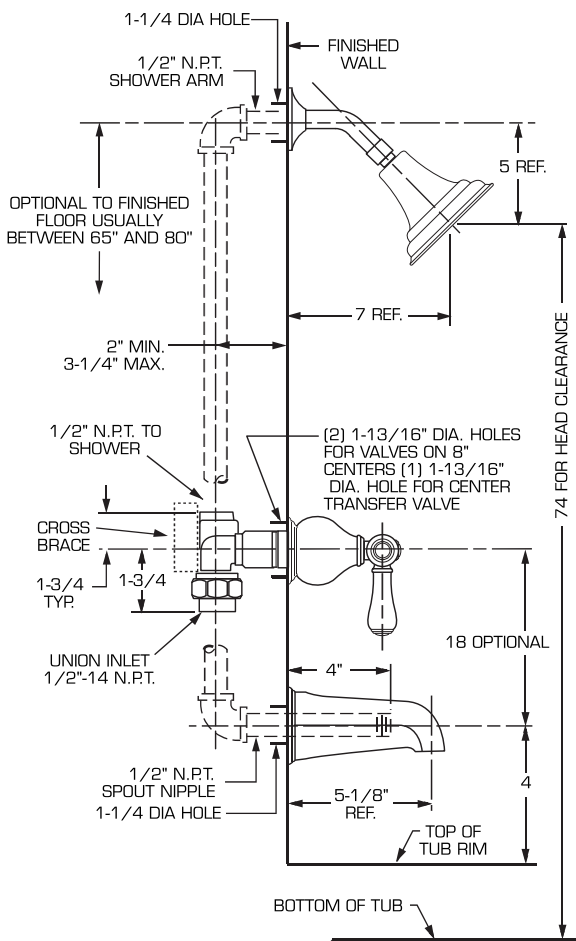
Thank you for selecting American-Standard...the benchmark of fine quality for over 100 years.

To ensure that your installation proceeds smoothly—please read these instructions carefully before you begin.

US60356 REV. 1.1

## ROUGHING-IN DIMENSIONS

NOTE: NO CONCEALED PIPING FURNISHED

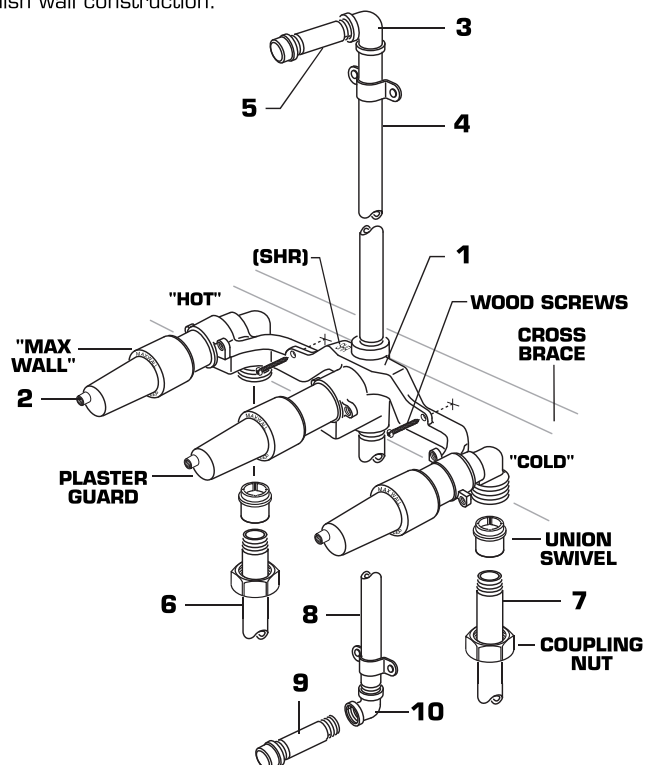


## 1 ROUGHING-IN SHOWER AND SPOUT

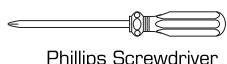
**CAUTION** Turn off hot and cold water supplies before beginning.

**IMPORTANT: DO NOT REMOVE PLASTER GUARDS (2) UNTIL STEP 2.**

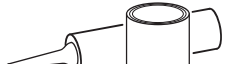
- Prepare water supplies per Roughing-in Dimensions. Apply sealing tape to all threaded connections.
- Install VALVE (1) at indicated height and depth. Make sure the outlet marked "SHR" is pointing upward. Mount VALVE (1) to cross brace with wood screws.
- Slip COUPLING NUT over supply pipe and thread UNION SWIVEL to pipe. Connect HOT (6) water supply to LEFT valve inlet and COLD (7) water supply to RIGHT valve inlet.
- Prepare SHOWER RISER (4) and ELBOW (3). Connect to TOP outlet, marked "SHR" of VALVE BODY (1).
- Prepare TUB FILLER PIPE (8), ELBOW (10) and roughing-in NIPPLE (9). Connect to BOTTOM outlet of VALVE BODY (1).
- Add cross braces to wall structure and secure piping.
- Cap NIPPLES (9 & 5) and open supply lines and check for leaks. Remove PLASTER GUARDS (2) and open supply lines and check for leaks. Operate transfer valve and check for leaks.
- Close both valves and turn off water supplies. Replace PLASTER GUARDS (2).
- Finish wall construction.



## Recommended Tools



Phillips Screwdriver



Plumbers' Putty or Caulking



\*Hex key Supplied with Fitting



Flat Blade Screwdriver



Adjustable Wrench



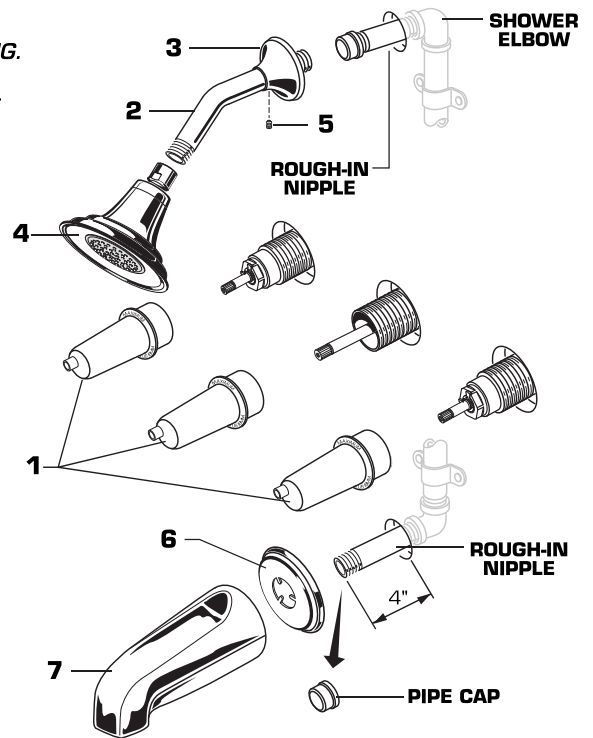
Channel Locks

## 2

### INSTALL TRIM (SHOWER AND TUB SPOUT)

**NOTE; PROTECT FINISH ON SHOWER AND TUB TRIM WHEN INSTALLING.**

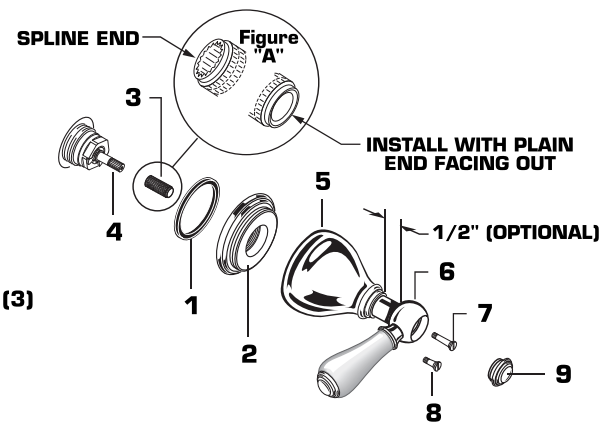
- Remove PLASTER GUARDS (1) from valve body by unthreading and pulling off.
- Remove rough-in nipple from shower elbow.
- Apply sealing tape to threads on both ends of SHOWER ARM (2) and install SHOWER ARM (2) with SHOWER ESCUTCHEON (3) into shower elbow.
- Thread SHOWER HEAD (4) onto end of SHOWER ARM (2). Push SHOWER ESCUTCHEON (3) against finished wall. Tighten SET SCREW (5).
- Remove pipe cap from tub filler pipe. Tub filler pipe should extend 4" from finished wall.
- Apply sealing tape to threads of tub filler pipe. Push SPOUT ESCUTCHEON (6) onto filler pipe flush against finished wall. Thread TUB SPOUT (7) onto filler pipe until tight against SPOUT ESCUTCHEON (6).



## 3

### INSTALL HANDLES

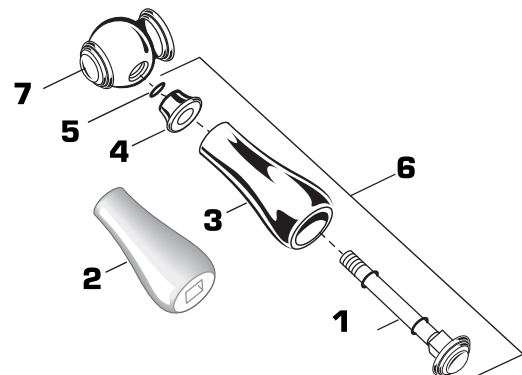
- Place RUBBER RING (1) into ESCUTCHEON (2) and thread ESCUTCHEON (2) onto valve until snug against the finished wall.
- Push ADAPTER (3) on VALVE STEM (4), so that the hole of the ADAPTER (3) without the spline is facing out. See figure "A".
- Thread HANDLE BASE (5) onto ESCUTCHEON (2).
- Push LEVER BALL (6) through HANDLE BASE (5) onto ADAPTER (3).
- Find correct position of LEVER BALL (6) by adjusting male teeth on ADAPTER (3) to female teeth on LEVER BALL (6).
- Secure LEVER BALL (6) with the longer HANDLE SCREW (7) which comes with the product.
- If cylindrical shaft of LEVER BALL (6) is visible for more than a 1/2 inch, you can reduce the length of LEVER BALL (6) protruding by flipping the ADAPTER (3) and using the small HANDLE SCREW (8) to secure the LEVER BALL (6).
- Push INDEX CAP (9) in hole of LEVER BALL (6).



## 4

### INSTALLATION OF OPTIONAL METAL LEVER HANDLES (Supplied with Faucet)

- Thread PORCELAIN LEVER HANDLE (2) counter-clockwise and remove INDEX BUTTON with MOUNTING ROD ASSEMBLY (1), HANDLE COLLAR (4) and O-RING (5).
- Insert MOUNTING ROD ASSEMBLY (1) into METAL HANDLE (3), HANDLE COLLAR (4) and O-RING (5).
- Thread HANDLE ASSEMBLY (6) into ball of HANDLE BASE (7). Apply pressure to the MOUNTING ROD ASSEMBLY (1) while turning the HANDLE COLLAR (4), in order to tighten firmly.

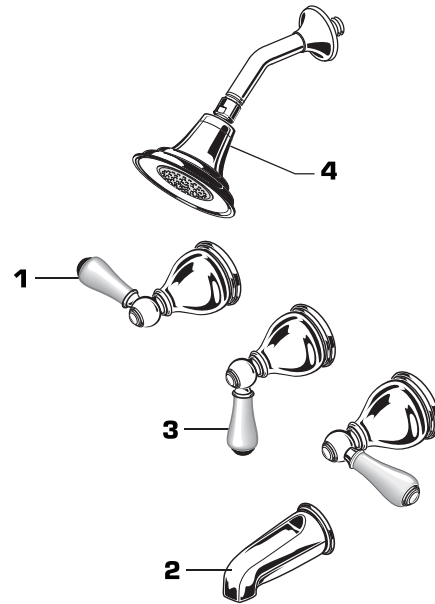


US60356 REV. 1.1

## 5

### TEST INSTALLED FAUCET

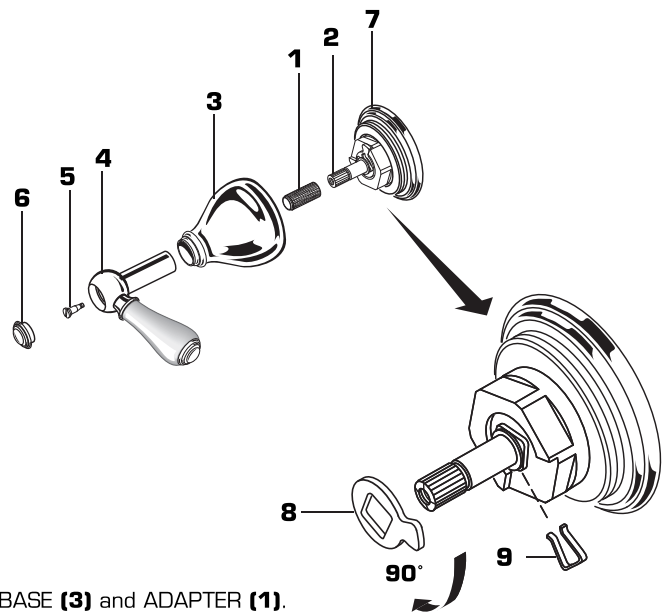
- Turn HANDLES (1) into "off" position.
- Turn on water supplies and check all connections for leaks.
- Operate both HANDLES (1) to flush water lines thoroughly. Check TUB SPOUT (2) connection for leaks.
- Turn TRANSFER VALVE (3) and check SHOWER HEAD (4) and connections for leaks.
- Turn handles into OFF position.



## 6

### SERVICE

- To change direction of handle rotation, proceed as follows: See illustration for reference.
  - Turn valve to OFF position.
  - Pull out INDEX CAP (6) and remove HANDLE SCREW (5).
  - Pull off HANDLE (4) and unscrew porcelain ESCUTCHEON BASE (3).
  - Remove ADAPTER (1) and SPRING CLIP (9).
  - Lift STOP WASHER (8), turn 90° and replace.
  - Replace SPRING CLIP (9).
  - Reinstall ESCUTCHEON (3) and HANDLE ASSEMBLY.
- If spout drips, operate handles several times from OFF to ON position. Do not force - handles turn only 90°.



#### ALIGN HANDLES

- Pull out INDEX CAP (6) and remove HANDLE SCREW (5), HANDLE BASE (3) and ADAPTER (1).
- Push ADAPTER (1) on valve Stem (2). Find correct position of HANDLE (4) by adjusting male teeth on ADAPTER (1) to female teeth on HANDLE (4).
- Replace HANDLE SCREW (5) and push in INDEX CAP (6).

## 7

### CARE INSTRUCTIONS

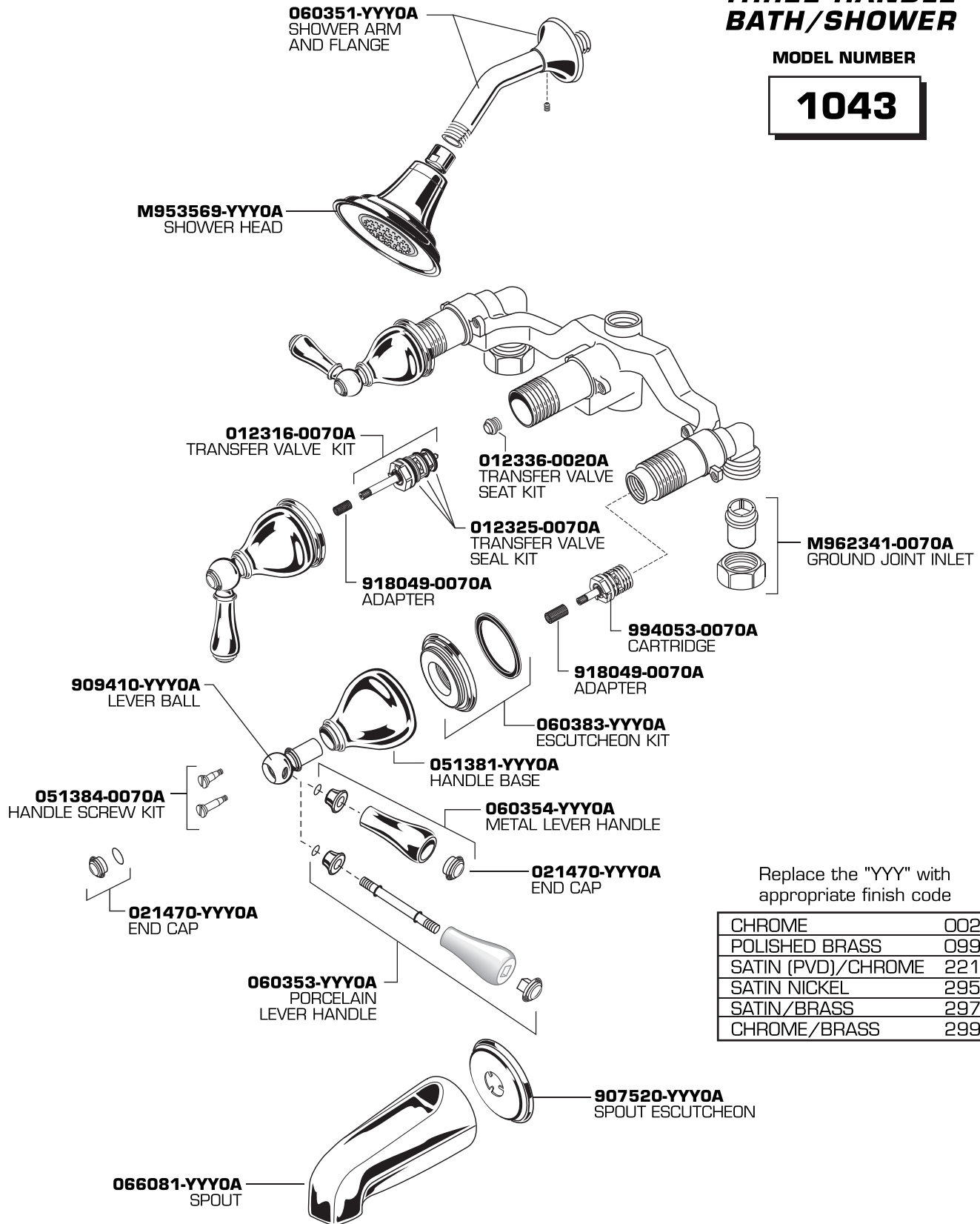
**DO: SIMPLY RINSE THE PRODUCT CLEAN WITH CLEAR WATER. DRY WITH A SOFT COTTON FLANNEL CLOTH.**

**DO NOT: CLEAN THE PRODUCT WITH SOAPS, ACID, POLISH, ABRASIVES, HARSH CLEANERS, OR A CLOTH WITH A COARSE SURFACE.**

## THREE HANDLE BATH/SHOWER

MODEL NUMBER

**1043**



Replace the "YYY" with appropriate finish code

CHROME	002
POLISHED BRASS	099
SATIN (PVD)/CHROME	221
SATIN NICKEL	295
SATIN/BRASS	297
CHROME/BRASS	299

## Free Manuals Download Website

<http://myh66.com>

<http://usermanuals.us>

<http://www.somanuals.com>

<http://www.4manuals.cc>

<http://www.manual-lib.com>

<http://www.404manual.com>

<http://www.luxmanual.com>

<http://aubethermostatmanual.com>

Golf course search by state

<http://golfingnear.com>

Email search by domain

<http://emailbydomain.com>

Auto manuals search

<http://auto.somanuals.com>

TV manuals search

<http://tv.somanuals.com>