

American Standard

Installation Instructions T00050X

CERAMIX™

BATH/SHOWER TRIM KIT

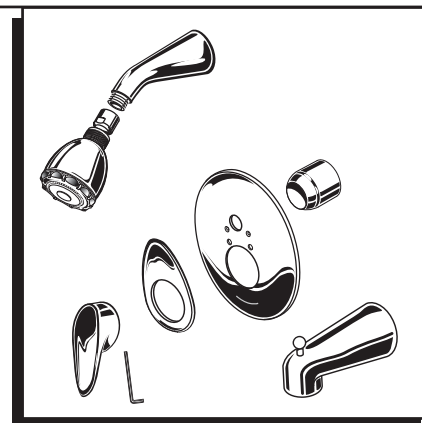
with EverClean™ Finish

Congratulations on purchasing your American Standard faucet with EverClean finish found only on American Standard faucets.

EverClean Finish

- One wipe effortlessly removes spots
- Eliminates the need for cleaners and scrubbing
- Permanent surface protectant remains beautiful for the life of the faucet
- EverClean™ available on: Polished Chrome, Satin Nickel, Stainless Steel, Polished Brass (or any combination of these finishes)

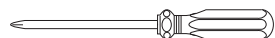
To ensure that your installation proceeds smoothly-please read these instructions carefully before you begin.



Certified to comply with ANSI A112.18.1

M968739 Rev. 1.1

Required Tools



Phillips Screwdriver



Flat Blade Screwdriver



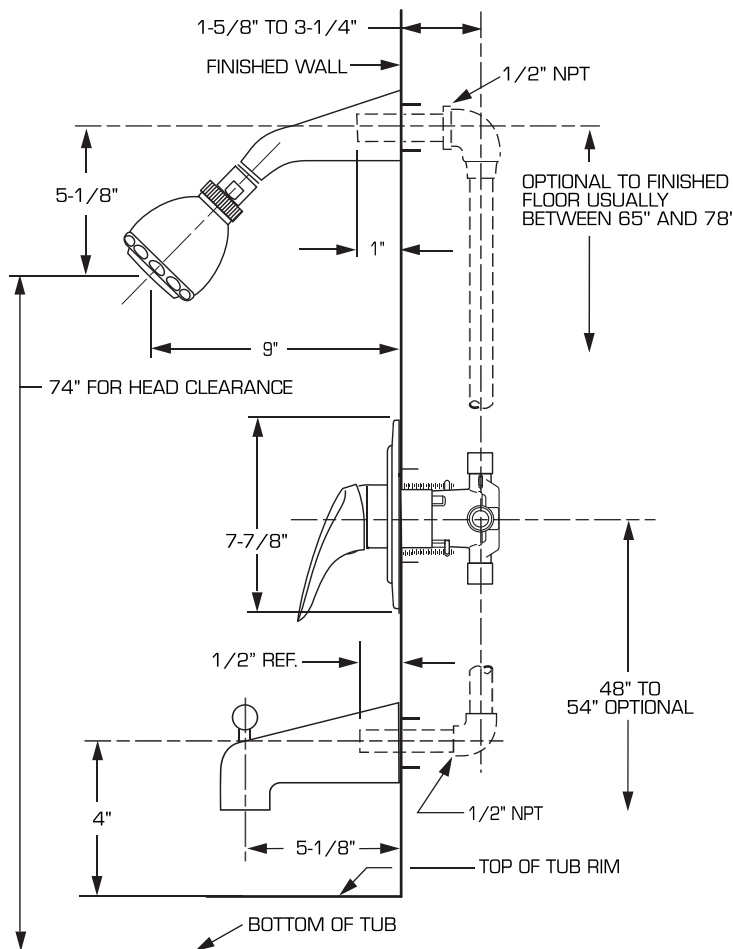
Adjustable Wrench



*Hex key (Supplied with Fitting)

ROUGHING-IN DIMENSIONS

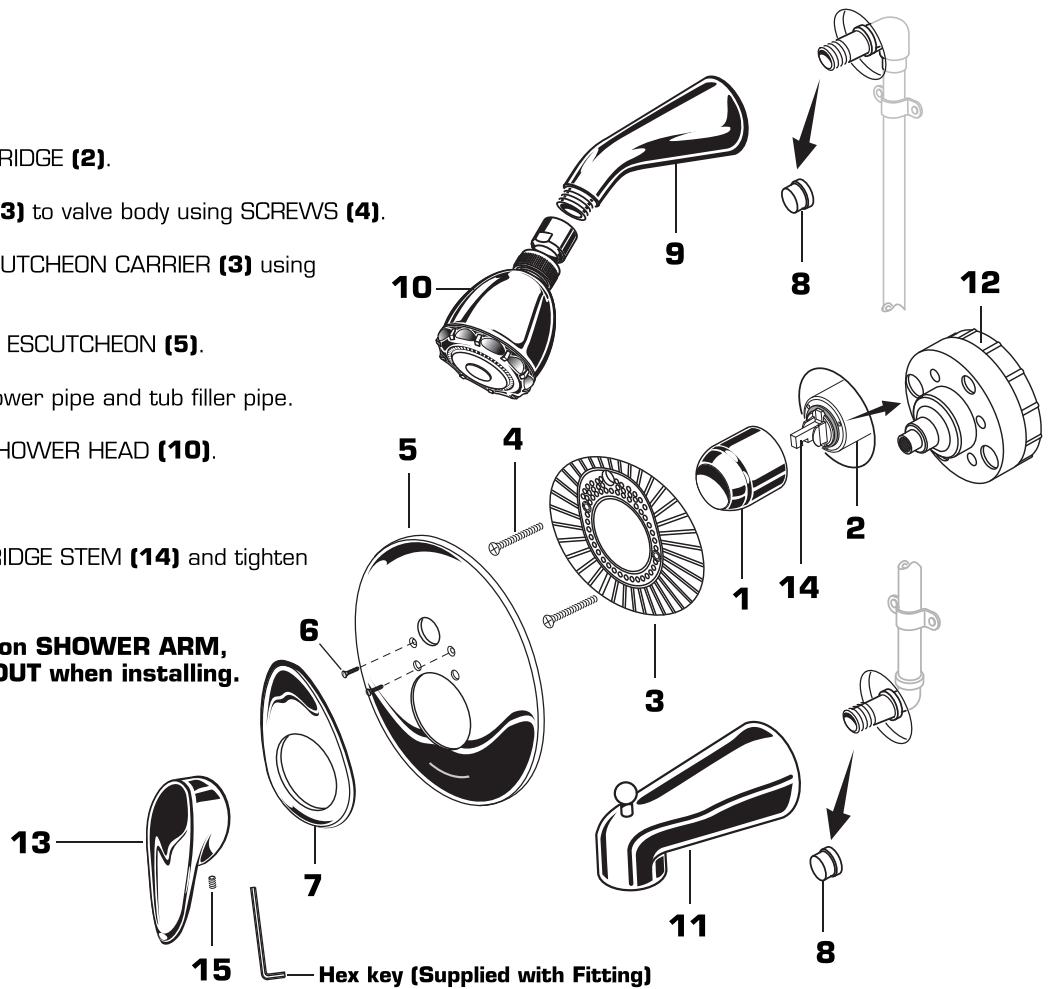
- To assure proper positioning in relation to wall, note roughing-in dimensions.



1 INSTALL TRIM

- Remove PLASTER GUARD (12).
- Push CAP (1) over VALVE CARTRIDGE (2).
- Mount ESCUTCHEON CARRIER (3) to valve body using SCREWS (4).
- Mount ESCUTCHEON (5) to ESCUTCHEON CARRIER (3) using SCREWS (6).
- Attach DECORATIVE RING (7) to ESCUTCHEON (5).
- Remove PIPE CAPS (8) from shower pipe and tub filler pipe.
- Install SHOWER ARM (9) and SHOWER HEAD (10).
- Install TUB FILLER SPOUT (11).
- Push HANDLE (13) onto CARTRIDGE STEM (14) and tighten SET SCREW (15).

CAUTION: Protect the finish on SHOWER ARM, SHOWER HEAD and TUB SPOUT when installing.

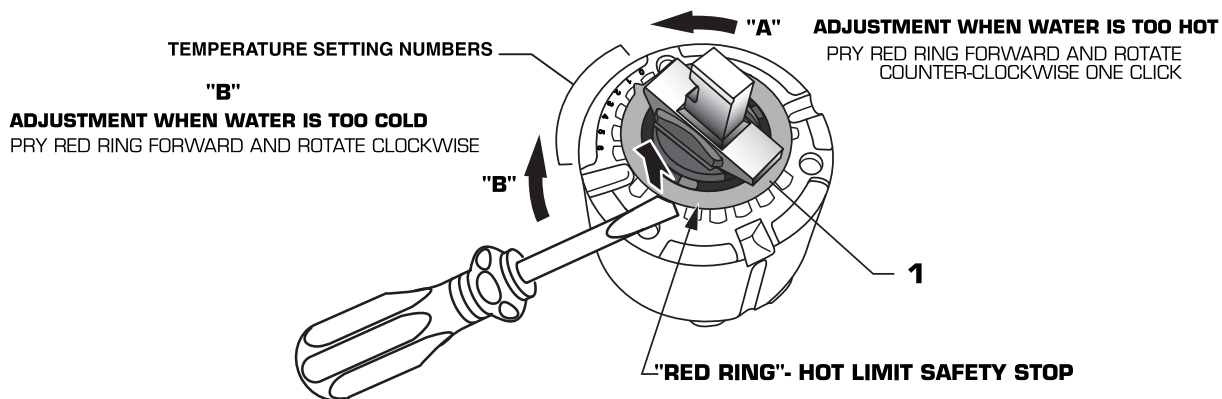


2 ADJUST HOT LIMIT STOP

HOT LIMIT SAFETY STOP ADJUSTMENT

By restricting handle rotation and limiting the amount of hot water allowed to mix with the cold, the HOT LIMIT SAFETY STOP reduces risk of accidental scalding. To set the maximum hot water temperature of your faucets, all you need to do is adjust the setting on the HOT LIMIT SAFETY STOP.

- Use a flat blade screwdriver or your fingers to pull up and rotate red HOT LIMIT SAFETY STOP (1). Follow Step "A" or "B" to adjust min./max. discharge temperature. "0" being the hottest to "7" the coldest temperature setting. Factory set at "0".



3 EverClean™ Finish Care Instructions

American Standard's EverClean finish will wipe clean with a soft, dry cloth. A soft cloth with clean water may also be used, if desired. No additional cleaning products are required.

DO NOT USE: Soaps, acid, polish, abrasives, harsh cleaners, or a cloth with a coarse surface.

M968739 Rev. 1.1

Free Manuals Download Website

<http://myh66.com>

<http://usermanuals.us>

<http://www.somanuals.com>

<http://www.4manuals.cc>

<http://www.manual-lib.com>

<http://www.404manual.com>

<http://www.luxmanual.com>

<http://aubethermostatmanual.com>

Golf course search by state

<http://golfingnear.com>

Email search by domain

<http://emailbydomain.com>

Auto manuals search

<http://auto.somanuals.com>

TV manuals search

<http://tv.somanuals.com>