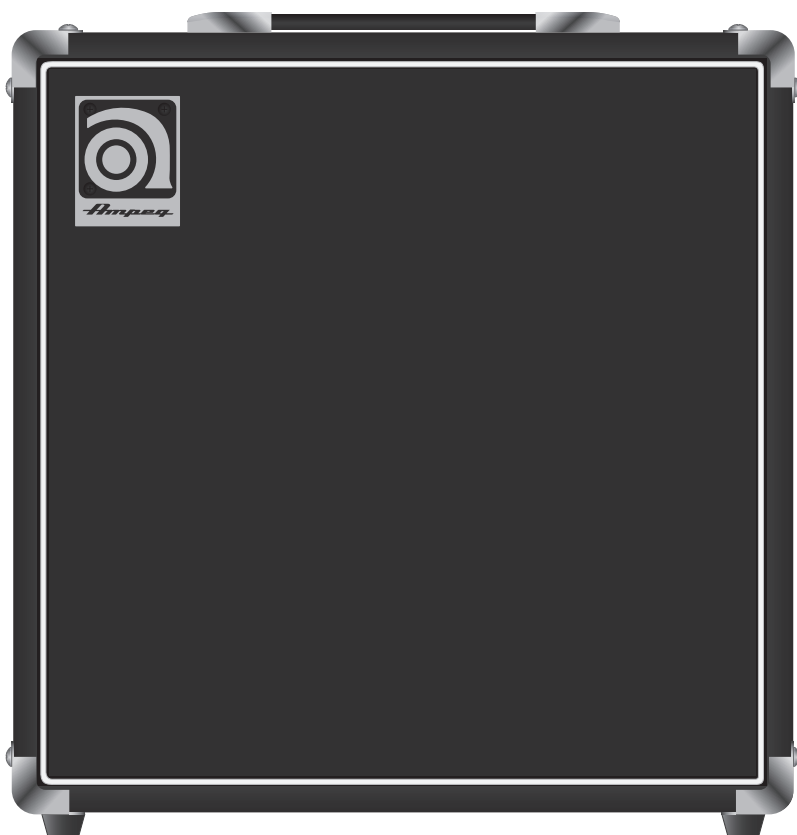


Ampeg

BA-108 & BA-110 **Bass Guitar Combo Amplifiers**



Owner's Manual

Download from [Www.Somanuals.com](http://www.Somanuals.com). All Manuals Search And Download.



TABLE OF CONTENTS

Important Safety Instructions	2
Introduction / Features	4
Front Panel.....	5-6
Rear Panel.....	6
Block Diagram.....	7
Technical Specifications / Service Information.....	8

IMPORTANT SAFETY INSTRUCTIONS

1. Read these instructions.
2. Keep these instructions.
3. Heed all warnings.
4. Follow all instructions.
5. Do not use this apparatus near water.
6. Clean only with a dry cloth.
7. Do not block any ventilation openings. Install in accordance with the manufacturer's instructions.
8. Do not install near any heat sources such as radiators, heat registers, stoves, or other apparatus (including amplifiers) that produce heat.
9. Do not defeat the safety purpose of the polarized or grounding-type plug. A polarized plug has two blades with one wider than the other. A grounding-type plug has two blades and a third grounding prong. The wide blade or the third prong are provided for your safety. If the provided plug does not fit into your outlet, consult an electrician for replacement of the obsolete outlet.
10. Protect the power cord from being walked on or pinched particularly at plugs, convenience receptacles, and the point where they exit from the apparatus.
11. Only use attachments/accessories specified by the manufacturer.
12. Use only with a cart, stand, tripod, bracket, or table specified by the manufacturer, or sold with the apparatus. When a cart is used, use caution when moving the cart/apparatus combination to avoid injury from tip-over.
13. Unplug this apparatus during lightning storms or when unused for long periods of time.
14. Refer all servicing to qualified service personnel. Servicing is required when the apparatus has been damaged in any way, such as

- power-supply cord or plug is damaged, liquid has been spilled or objects have fallen into the apparatus, the apparatus has been exposed to rain or moisture, does not operate normally, or has been dropped.
15. Do not overload wall outlets and extension cords as this can result in a risk of fire or electric shock.
 16. This apparatus shall not be exposed to dripping or splashing, and no object filled with liquids, such as vases or beer glasses, shall be placed on the apparatus.
 17. This apparatus has been designed with Class-I construction and must be connected to a mains socket outlet with a protective earthing connection (the third grounding prong).
 18. The MAINS plug or an appliance coupler is used as the disconnect device, so the disconnect device shall remain readily operable.



CAUTION AVIS

RISK OF ELECTRIC SHOCK. DO NOT OPEN
RISQUE DE CHOC ELECTRIQUE. NE PAS OUVRIR

CAUTION: TO REDUCE THE RISK OF ELECTRIC SHOCK DO NOT REMOVE COVER (OR BACK)
NO USER-SERVICEABLE PARTS INSIDE. REFER SERVICING TO QUALIFIED PERSONNEL
ATTENTION: POUR EVITER LES RISQUES DE CHOC ELECTRIQUE, NE PAS ENLEVER LE COUVERCLE
AUCUN ENTRETIEN DE PIECES INTERIEURES PAR L'USAGER
CONSULTEZ L'ENTRETIEN AU PERSONNEL QUALIFIE
AVIS: POUR EVITER LES RISQUES D'INCENDIE OU D'ELECTROCUTION, N'EXPOSEZ PAS CET ARTICLE
A LA PLUIE OU A L'HUMIDITE

The lightning flash with arrowhead symbol within an equilateral triangle is intended to alert the user to the presence of uninsulated "dangerous voltage" within the product's enclosure, that may be of sufficient magnitude to constitute a risk of electric shock to persons.

Le symbole éclair avec point de flèche à l'intérieur d'un triangle équilatéral est utilisé pour alerter l'utilisateur de la présence à l'intérieur du coffret de "voltage dangereux" non isolé d'ampleur suffisante pour constituer un risque d'électrocution.

The exclamation point within an equilateral triangle is intended to alert the user of the presence of important operating and maintenance (servicing) instructions in the literature accompanying the appliance.

Le symbole d'exclamation à l'intérieur d'un triangle équilatéral est employé pour alerter les utilisateurs de la présence d'instructions importantes pour le fonctionnement et l'entretien (service) dans le livret d'instruction accompagnant l'appareil.

WARNING — To reduce the risk of fire or electric shock, do not expose this apparatus to rain or moisture.



NOTE: This equipment has been tested and found to comply with the limits for a Class B digital device, pursuant to part 15 of the FCC Rules. These limits are designed to provide reasonable protection against harmful interference in a residential installation. This equipment generates, uses, and can radiate radio frequency energy and, if not installed and used in accordance with the instructions, may cause harmful interference to radio communications. However, there is no guarantee that interference will not occur in a particular installation. If this equipment does cause harmful interference to radio or television reception, which can be determined by turning the equipment off and on, the user is encouraged to try to correct the interference by one or more of the following measures:

- Reorient or relocate the receiving antenna.
- Increase the separation between the equipment and the receiver.
- Connect the equipment into an outlet on a circuit different from that to which the receiver is connected.
- Consult the dealer or an experienced radio/TV technician for help.

CAUTION: Changes or modifications to this device not expressly approved by LOUD Technologies Inc. could void the user's authority to operate the equipment under FCC rules.

This apparatus does not exceed the Class A/Class B (whichever is applicable) limits for radio noise emissions from digital apparatus as set out in the radio interference regulations of the Canadian Department of Communications.

CONSIGNES DE SECURITE IMPORTANTES

- LIRE, SUIVRE TOUTES LES INSTRUCTIONS ET LES PRECAUTIONS D'UTILISATION
- NE PAS UTILISER PROCHE D'UNE SOURCE DE CHALEUR ET NE PAS BLOQUER OU OBSTRUER LE SYSTEME DE VENTILATION SUR CET APPAREIL. POUR UNE UTILISATION CONFORME, CET APPAREIL NECESSITE ENVIRON 7CM D'ESPACE BIEN VENTILE AUTOUR DE SON SYSTEME DE REFROIDISSEMENT, AINSI QU'UN COURANT D'AIR FRAIS CONSTANT
- NE PAS UTILISER CET APPAREIL PROCHE D'UNE SOURCE LIQUIDE
- NETTOYER SEULEMENT A L'AIDE D'UN CHIFFON DOUX ET SEC ET NE PAS UTILISER DE PRODUITS MENAGERS
- CONNECTER UNIQUEMENT LE CABLE D'ALIMENTATION FOURNI SUR UNE PRISE AVEC MISE A LA TERRE, ET COMPATIBLE AVEC LA TENSION, L'INTENSITE ET LA FREQUENCE REQUISES INDIQUEES SUR LA FACE ARRIERE DE L'APPAREIL
- S'ASSURER DE NE PAS MARCHER, PLIER OU TIRER SUR LE CABLE D'ALIMENTATION
- DEBRANCHER L'APPAREIL LORS D'UNE TEMPETE OU LORS D'UNE TRES LONGUE PERIODE DE NON UTILISATION
- UTILISER UNIQUEMENT DES ACCESSOIRES SPECIFIES PAR LE FABRICANT POUR UNE UTILISATION EN TOUTE SECURITE ET POUR EVITER DES BLESSURES
- **ATTENTION:** ANIMER DE PREVENIR TOUT RISQUE DE CHOC ELECTRIQUES OU DE DEBUT D'INCENDIE, NE PAS EXPOSER CET APPAREIL A LA PLUIE ET A L'HUMIDITE
- TOUT ENTRETIEN DOIT ETRE FAIT PAR UN TECHNICIEN QUALIFIE
- NOS AMPLIFICATEURS PEUVENT PRODUIRE DE TRES HAUTES PRESSIONS ACOUSTIQUES QUI PEUVENT CAUSER DES DOMMAGES AUDITIFS PERMANENTS OU DEFINITIFS. L'UTILISER AVEC UNE GRANDE PRECAUTION EST CONSEILLE ET DES PROTECTIONS AUDITIVES SONT RECOMMANDEES POUR UNE UTILISATION A FORT VOLUME.
- **ATTENTION:** CET APPAREIL REQUIERT UNE PRISE MURALE AVEC MISE A LA TERRE, AUX NORMES ACTUELLES ET COMPATIBLE AVEC LES SPECIFICATIONS ELECTRIQUES SE TROUVANT EN FACE ARRIERE DE L'APPAREIL. LA PRISE ELECTRIQUE DOIT ETRE NORMES ACCESSIBLE POUR DEBRANCHER L'APPAREIL EN CAS DE DEFAUT PENDANT L'UTILISATION
- CET APPAREIL DOIT ETRE DEBRANCHE SI IL N'EST PAS UTILISE

Elimination correcte du produit : Ce symbole indique que ce produit ne doit pas être éliminé avec les ordures ménagères, comme le prévoit la directive WEEE (2002/96/EC) et votre loi nationale.

Ce produit doit être remis à un site de recyclage des déchets électriques et des équipements électroniques (EEE).

Un mauvais recyclage de ce type de déchet peut avoir de possibles impacts négatifs sur l'environnement et la santé humaine dus aux émanations de substances.

Dans un même temps, votre coopération à un recyclage correct de ce produit contribuera à la bonne utilisation des ressources naturelles.

Pour connaître l'endroit où il est possible de recycler ces équipements, merci de contacter votre mairie, les services de recyclages ou le service des déchets ménagers.



Correct disposal of this product: This symbol indicates that this product should not be disposed of with your household waste, according to the WEEE directive (2002/96/EC) and your national law. This product should be handed over to an authorized collection site for recycling waste electrical and electronic equipment (EEE). Improper handling of this type of waste could have a possible negative impact on the environment and human health due to potentially hazardous substances that are generally associated with EEE. At the same time, your cooperation in the correct disposal of this product will contribute to the effective usage of natural resources. For more information about where you can drop off your waste equipment for recycling, please contact your local city office, waste authority, or your household waste disposal service.

ATTENTION — Le présent appareil numérique n'émet pas de bruits radioélectriques dépassant les limites applicables aux appareils numériques de class A/de class B (selon le cas) prescrites dans le règlement sur le brouillage radioélectrique édicté par les ministere des communications du Canada.

Exposure to extremely high noise levels may cause permanent hearing loss. Individuals vary considerably in susceptibility to noise-induced hearing loss, but nearly everyone will lose some hearing if exposed to sufficiently intense noise for a period of time. The U.S. Government's Occupational Safety and Health Administration (OSHA) has specified the permissible noise level exposures shown in the following chart.

According to OSHA, any exposure in excess of these permissible limits could result in some hearing loss. To ensure against potentially dangerous exposure to high sound pressure levels, it is recommended that all persons exposed to equipment capable of producing high sound pressure levels use hearing protectors while the equipment is in operation. Ear plugs or protectors in the ear canals or over the ears must be worn when operating the equipment in order to prevent permanent hearing loss if exposure is in excess of the limits set forth here:

Duration, per day in hours	Sound Level dBA, Slow Response	Typical Example
8	90	Duo in small club
6	92	
4	95	Subway Train
3	97	
2	100	Very loud classical music
1.5	102	
1	105	The bass screaming at his minions about manual deadlines
0.5	110	
0.25 or less	115	Loudest parts of a rock concert



Introduction

The Ampeg BA-series bass combos are perfect for beginning bassists, offering tools like 3-band EQ, MP3 input and a headphone out for silent practice. The high-output speaker is specifically matched to the powerful amplifier for optimal performance. The tilt-back cabinet design is great for directional monitoring during practice, with a ported baffle for excellent low frequency extension.

Also great for live performances, these combos have a dedicated line out, perfect for additional support from a mixer or PA system. The impact resistant, tilt-back cabinet design features durable black tolex, white piping and Ampeg's classic logo badge. It's the very definition of what a practice amp should be.

Like all Ampeg products, your BA combo is designed by musicians and built using only the best of components. Each combo is tested to confirm that it meets our specifications, and we believe that this combo is the absolute best that it can be.

In order to get the most out of your new combo, please read this manual before you begin playing.

And **thank you** for choosing Ampeg.

BA-108 Features:

- Selectable 0 dB / -15 dB input
- Bass, Mid, and Treble controls
- Master volume control
- Stereo RCA CD/MP3 input
- Headphone output
- Power LED
- Effects loop with separate send and return jacks
- Unbalanced 1/4" line output
- Power amplifier rated at 25 watts rms into 8 ohms
- Loaded with one 8" speaker
- Stylish top handle
- Dimensions (H x W x D):
15.3" x 15.3" x 11"
- Weight: 27 lb / 12.2 kg

BA-110 Features:

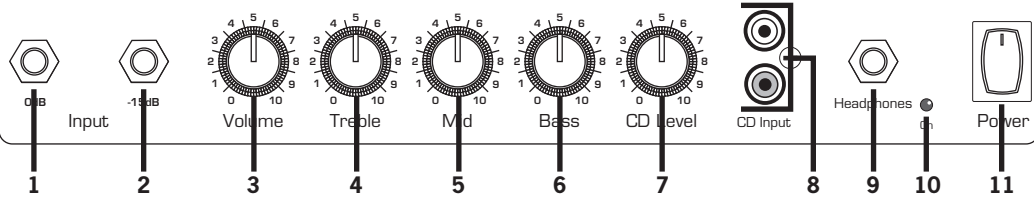
- Selectable 0 dB / -15 dB input
- Bass, Mid, and Treble controls
- Master volume control
- Stereo RCA CD/MP3 input
- Headphone output
- Power LED
- Effects loop with separate send and return jacks
- Unbalanced 1/4" line output
- Power amplifier rated at 35 watts rms into 8 ohms
- Loaded with one 10" speaker
- Stylish top handle
- Dimensions (H x W x D):
16.3" x 16.3" x 12"
- Weight: 32 lb / 14.5 kg




BA-108 / BA-110 Top Panel



BA-1XX



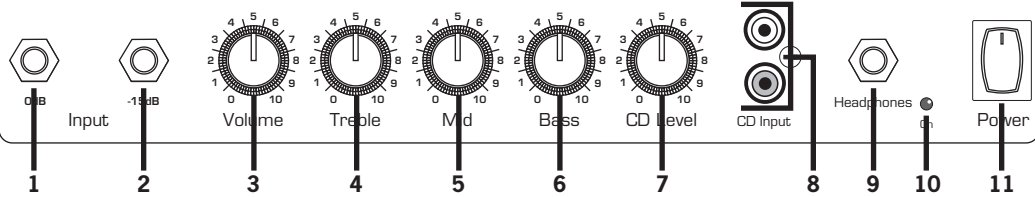
1. **0 dB INPUT:** The signal output from a **passive** instrument may be connected to this 1/4" input by means of a shielded instrument cable.
 2. **-15 dB INPUT:** The signal output from an **active** instrument may be connected to this 1/4" input by means of a shielded instrument cable.
 3. **VOLUME:** Use this to control the overall output level. It affects the preamp level to speaker and phone outputs. Use it wisely, and turn it down when making connections, putting on headphones, or trying something new. It does not affect the signal fed to the CD input.
 4. **TREBLE:** Use this to adjust the high frequency level of the amplifier. This provides up to 14 dB of boost, or -14 dB of cut at 5 kHz. The high frequency output is flat at the center position.
 5. **MID:** Use this to adjust the midrange frequency level of the amplifier. This provides up to 12 dB of boost, or -12 dB of cut at 600 Hz. The midrange frequency output is flat at the center position. Rotate the control counter clockwise for a "contoured" sound (more distant, less midrange output) or clockwise for a sound which really cuts through.
 6. **BASS:** Use this to adjust the low frequency level of the amplifier. This provides up to 12 dB of boost, or -12 dB of cut at 40 Hz. The low frequency output is flat at the center position.
 7. **CD LEVEL:** Use this to control the output level of the signal fed to the CD input. Use it wisely, and turn it down when making connections, putting on headphones, or trying something new.
 8. **CD INPUT:** The audio output from line-level sources, such as an iPod®, MP3, or CD player, can connect to these RCA inputs. The incoming audio is mixed with the preamp signals, so you can play along to a practice track, as you listen with headphones.
 9. **PHONES:** Use this 1/4" TRS stereo output to connect your headphones. The output here is a mix of the line-level signals reaching the amplifier, and any incoming audio from the CD input jacks.
-  Before putting on headphones, make sure the volume control is turned down, and (if connected) any external audio source has its level turned down. This will reduce the chance of hearing damage due to loud volumes.
- Note: the speaker is muted when headphones are plugged in.



BA-108 / BA-110 Top and Rear Panels

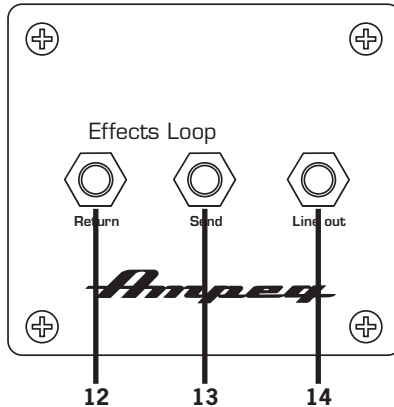


BA-1XX



10. ON LED: This LED illuminates red when the power is on.

11. POWER SWITCH: Use this switch to turn the overall system power on or off. Press the top of the switch to turn on the power, and press the bottom to turn it off.



12. EFFECTS RETURN JACK: Use this 1/4" TS unbalanced input to return the processed line-level output of an external effects processor (for example). The processor could be fed by signals from the effects send.

13. EFFECTS SEND JACK: Use this 1/4" TS unbalanced output to send a line-level output to an external effects processor (for example). The output here is affected by all controls except the volume.

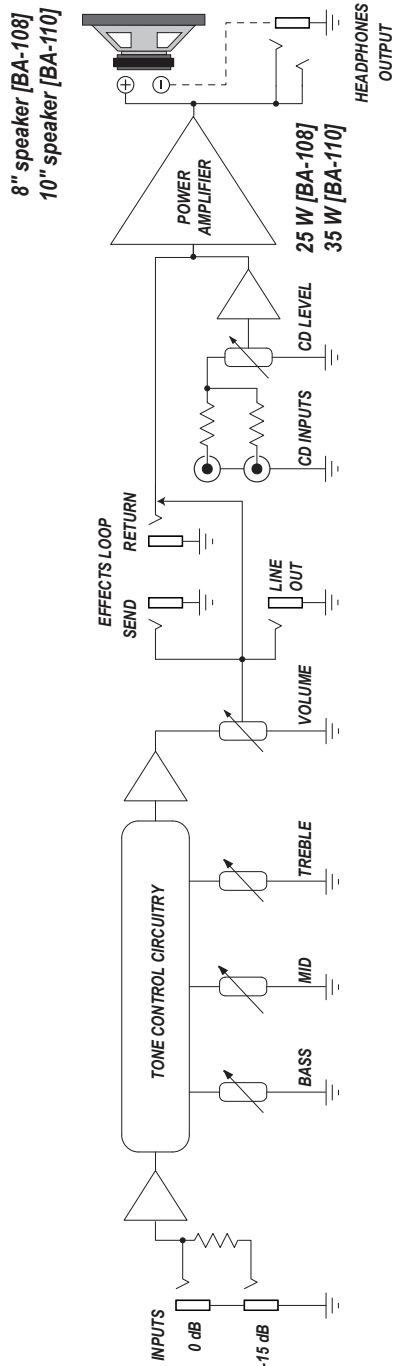
Use the effects return jack to feed the returned processed signals back into the power amplifier.

14. 1/4" LINE OUT JACK: Typically, you would connect this post-EQ, unbalanced output to the unbalanced input of an external mixer, or a recorder. In this way, you do not have to mic the speaker cabinet in order to add it to the main mix, or to record. The level of this signal is affected by the volume control.

This output can connect to external power amplifiers, or powered loudspeakers, as long as they have their own input controls to adjust the volume level.



BA-108 / BA-110 Block Diagram:





BA-108 / BA-110 TECHNICAL SPECIFICATIONS

Output Power Rating	25 watts rms @ 8 ohms, 3% THD [BA-108] 35 watts rms @ 8 ohms, 3% THD [BA-110]
Signal to Noise Ratio	67 dB (20 Hz–20 kHz, unweighted) [BA-108] 68 dB (20 Hz–20 kHz, unweighted) [BA-110]
Maximum Gain @ 1 kHz	0 dB input: 50 dB –15 dB input: 35 dB CD input: 44 dB Effects Return: 34 dB
Tone Controls	Bass: +12/–12 dB @ 40 Hz Mid: +12/–12 dB @ 600 Hz Treble: +14/–14 dB @ 5 kHz
Speaker Specs	1 x 8" speaker: 8 ohms, 40 W [BA-108] 1 x 10" speaker: 8 ohms, 100 W [BA-110]
Power Requirements	~100–120 VAC, 50–60 Hz, 45W ~200–240 VAC, 50–60 Hz, 45W
Size (H x W x D)	15.3 in / 389 mm x 15.3 in / 389 mm x 11 in / 279 mm (from handle to foot) [BA-108] 16.3 in / 414 mm x 16.3 in / 414 mm x 12 in / 305 mm (from handle to foot) [BA-110]
Weight	27 lb / 12.2 kg (approximately) [BA-108] 32 lb / 14.5 kg (approximately) [BA-110]

Service Information

If you are having a problem with your BA-series combo, you can go to our website (www.amepeg.com) and click on Support for service information, or call Technical Support at 1-800-898-3211 Monday-Friday during normal business hours, PST, to receive assistance. If you are outside of the U.S., contact your local distributor for technical support and service.

BA-series combos are covered with a durable fabric-backed vinyl material, so be sure to clean it with a dry lint-free cloth. Never spray cleaning agents on the BA-series combo. Avoid abrasive cleansers which would damage the finish.

Ampeg continually develops new products and improves upon existing ones. For this reason, the specifications and information in this manual are subject to change without notice.

"Ampeg" is a registered trademark of LOUD Technologies Inc. All other brand names mentioned are trademarks or registered trademarks of their respective holders and are hereby acknowledged.

www.amepeg.com

©2011 LOUD Technologies Inc.

16220 Wood-Red Road NE • Woodinville, WA 98072

BA-108 / BA-110 Bass Guitar Combo Manual

Download from www.manualslib.com Search And Download.

Free Manuals Download Website

<http://myh66.com>

<http://usermanuals.us>

<http://www.somanuals.com>

<http://www.4manuals.cc>

<http://www.manual-lib.com>

<http://www.404manual.com>

<http://www.luxmanual.com>

<http://aubethermostatmanual.com>

Golf course search by state

<http://golfingnear.com>

Email search by domain

<http://emailbydomain.com>

Auto manuals search

<http://auto.somanuals.com>

TV manuals search

<http://tv.somanuals.com>