



SVT12HE

1x12

Bass Cabinet



**Please read this user's guide prior
to using your new enclosure.**



Ampeg SVT12HE 1x12 Bass Cabinet

Your Ampeg SVT12HE 1x12" Bass Cabinet is a high quality two-way speaker enclosure suitable for all venue sizes.

The cabinet features heavy duty recessed handles, crossover with horn level control, and a 1" diaphragm high frequency horn.

The Speakon® and 1/4" jacks are wired in parallel, allowing easy daisy chaining from one speaker to another. Each of the jacks may be used as an input or a through connection.

Speakon® connectors are recognized as the standard for professional installations, assuring a secure, permanent connection that won't corrode, vibrate loose or be easily tampered with. The 1/4" jacks are convenient. However, the Speakon® jacks are recommended when using power amplifiers over 150 watts, for permanent installations, or for the first enclosure among a number of daisy chained enclosures.

IMPORTANT SAFETY INSTRUCTIONS:

1. Read, follow and keep these instructions. Heed all warnings.
2. This speaker is capable of producing high sound pressure levels that may cause permanent hearing damage. User caution is advised and ear protection is recommended during use.
3. This speaker is designed for use on a sturdy, level surface. Whenever stacking speaker cabinets, do not stack more than two high. Only speaker cabinets which are equipped with caster cups on their top surfaces are to be used underneath a cabinet which is equipped with casters.
4. Speaker cables are a tripping hazard and must be routed out of traffic areas and away from any possible accidental contact.
5. Do not expose this speaker to rain or moisture. Do not place liquid filled containers on this speaker. Clean only with a damp cloth.
6. Repair or service of this speaker should be performed only by qualified personnel.



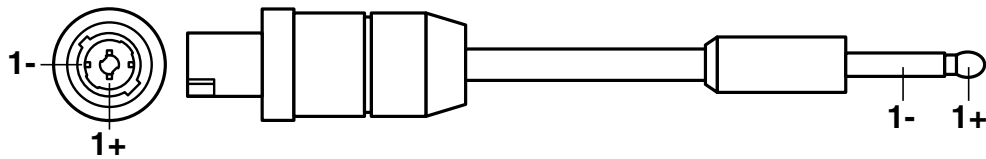
Ampeg SVT12HE 1x12 Bass Cabinet

The SVT12HE Jackplate:

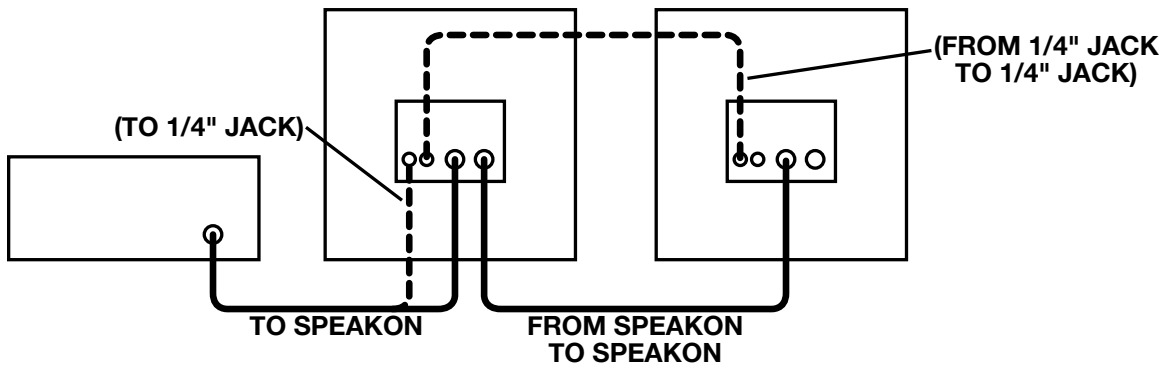


- 1: 1/4" Input / Output Jacks
- 2: Speakon® Input / Output Jacks
- 3: High Frequency Horn Level Control

Speakon® to 1/4" Wiring Diagram:



Suggested Hookup Diagrams:



AMPEG SVT12HE

1x12 Bass Cabinet

TECHNICAL SPECIFICATIONS:

TYPE	1x12" Bass Enclosure
FREQ RESPONSE (+/-3dB)	50Hz – 18kHz
USABLE LOW FREQ (-10dB)	40Hz
POWER HANDLING	300W RMS, 600W Peak
IMPEDANCE	8 ohms
SENSITIVITY	95dB SPL 1w/1m
MAXIMUM SPL	125dB
CROSSOVER FREQUENCY	5kHz
COMPONENTS	One Custom Designed 12" low frequency driver; One 1" high frequency horn
DIMENSIONS (H x W x D)	16.5" x 21" x 16"
WEIGHT	46 lbs.

Speakon® is a registered TM of Neutrik AG

CAUTION: THIS SPEAKER IS CAPABLE OF PRODUCING HIGH SOUND PRESSURE LEVELS. CONTINUED EXPOSURE TO HIGH SOUND PRESSURE LEVELS CAN CAUSE PERMANENT HEARING IMPAIRMENT OR LOSS. USER CAUTION IS ADVISED, AND EAR PROTECTION RECOMMENDED IF UNIT IS OPERATED AT HIGH VOLUME.

Ampeg continually develops new products, as well as improves existing ones. For this reason, the specifications and information in this manual are subject to change without notice.

Ampeg – The Power of Bass



www.ampeg.com



47-492-01 • 06/16/05

Free Manuals Download Website

<http://myh66.com>

<http://usermanuals.us>

<http://www.somanuals.com>

<http://www.4manuals.cc>

<http://www.manual-lib.com>

<http://www.404manual.com>

<http://www.luxmanual.com>

<http://aubethermostatmanual.com>

Golf course search by state

<http://golfingnear.com>

Email search by domain

<http://emailbydomain.com>

Auto manuals search

<http://auto.somanuals.com>

TV manuals search

<http://tv.somanuals.com>