

MAINTENANCE MANUAL

Site Master™ S820A

Antenna and Coax/Waveguide Analyzer

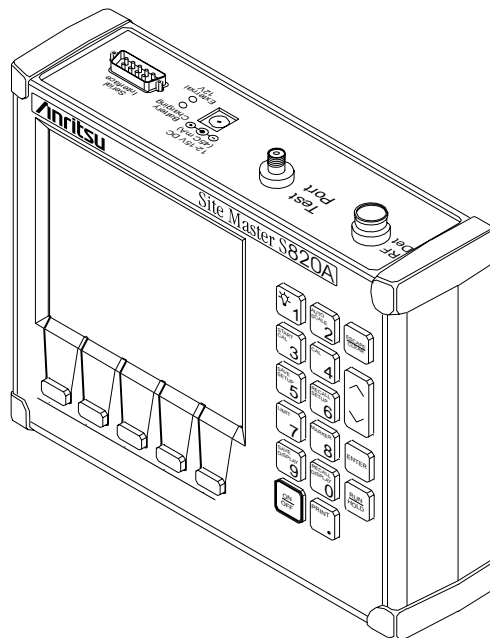


Figure 1. Site Master S820A

1. INTRODUCTION

This manual provides maintenance instructions for the Site Master S820A Antenna and Coax/ Waveguide Analyzer. It describes the product and provides performance verification procedures, parts replacement procedures, and a replaceable parts list.

2. DESCRIPTION

The Site Master (Figure 1) is a hand held SWR/RL (standing wave ratio/return loss) and Distance-To-Fault measurement instrument. It combines a synthesized source, VSWR Bridge, and receiver on a single printed circuit board (PCB). An optional power monitor is also available. A block diagram is shown in Figure 2.

3. PERFORMANCE VERIFICATION

Paragraphs 4 through 7 contain tests that can be used to verify the performance of the Site Master model S820A having any version of firmware.

3.1. Initial Setup for Testing

1. Press and hold the **ESCAPE/CLEAR** key, then press the **ON/OFF** key to turn on the Site Master. (This sets the instrument to the factory preset state.)
2. Release the **ESCAPE/CLEAR** key and use the Up/Down Arrow key to adjust the contrast to give a readable display.

Anritsu

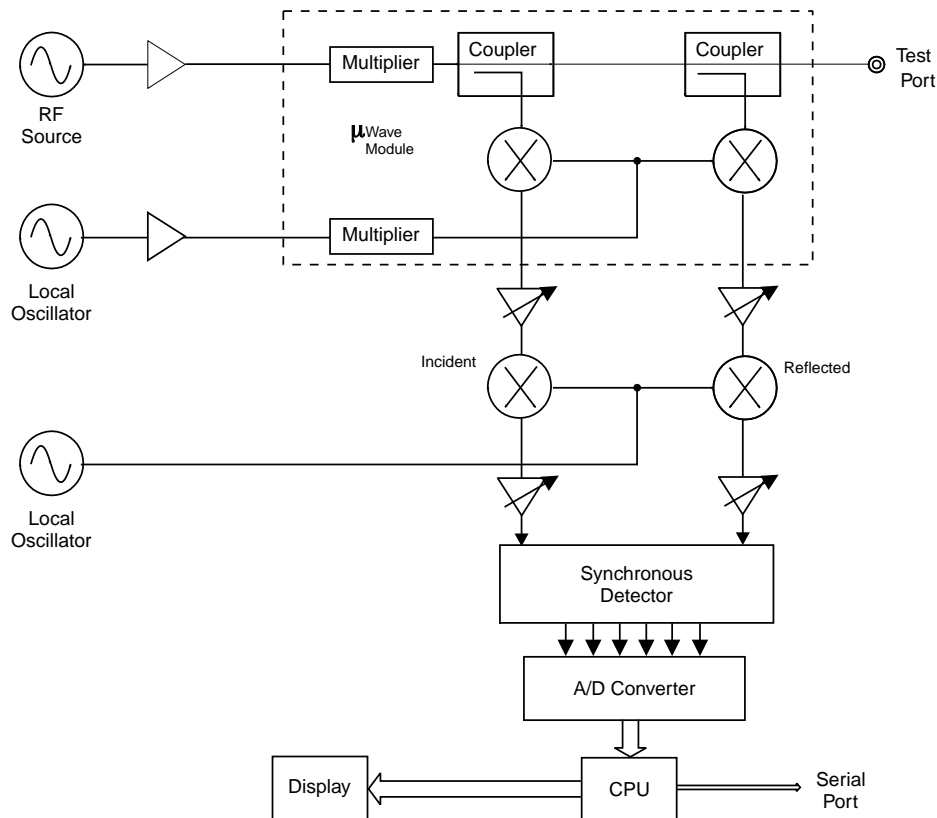


Figure 2. Site Master Block Diagram

4. FREQUENCY ACCURACY

The following test can be used to verify the CW frequency accuracy of the Site Master. Measurement calibration of the Site Master is **not** required for this test.

a. Equipment Required:

- Spectrum Analyzer
Anritsu Model MS2602A

b. Procedure:

1. Press and hold the **ESCAPE/CLEAR** key, then press the **ON/OFF** key to turn on the Site Master. (This sets the instrument to the factory preset state.)

NOTE

Before continuing, allow a five minute warm up for the internal circuitry to stabilize.

2. Press the **FREQ** soft key.

3. Press the **F1** soft key, set to 9 GHz, then press the **ENTER** key.
4. Press the **F2** soft key, set to 9 GHz, then press the **ENTER** key.
5. Connect the RF cable from the Site Master Test Port to the RF Input on the MS2602A.
6. Set up the Spectrum Analyzer as follows:
 - (a) Press Preset.
 - (b) Press Center and enter 1 GHz.
 - (c) Press the Max Hold button.
7. If the Site Master has gone into the hold mode, press the **RUN/HOLD** key to make the measurement.
8. Use the Spectrum Analyzer marker to measure the center of the response. The frequency should be 1 GHz \pm 75 kHz.

NOTE

Nominal power is approximately 0 - 10 dBm at 1 GHz.

5. RETURN LOSS VERIFICATION

The following test can be used to verify the accuracy of return loss measurements. Verification is performed by measuring the Source Match and Corrected Directivity. This method eliminates the uncertainties of measuring standard offset. Measurement calibration of the Site Master is required for this test.

Refer to the RF Measurement Chart on page 12, and the Return Loss Verification worksheet on page 13.

a. *Equipment Required:*

- 19K50 Precision Airline
- 22KF50 Open / Short
- 22K50 Open / Short
- 29KF50-15 Precision Offset Termination
- 28K50 Precision Termination

b. *Procedure:*

1. Press and hold the **ESCAPE/CLEAR** key, then press the **ON/OFF** key to turn on the Site Master. (This sets the instrument to the factory preset state.)

NOTE

Before continuing, allow a five minute warm up for the internal circuitry to stabilize.

2. Perform an OSL calibration over the frequency range of the unit using the 22K50 Open/Short and the 28K50 Precision Termination. Verify that noise spikes are below 44 dB and that the trace is smooth. Repeat as required.
3. Remove the 28K50 Termination.
4. Connect a 19K50 Precision Airline to the test port.
5. Connect a 22KF50 Open / Short to the open end of the airline.
6. Press the **AUTOSCALE** key.
7. Measure and record the worst case peak-to-peak ripple.

8. Use the RF Measurement Chart to correlate the peak-to-peak ripple reading to a return loss value in dB. The measured value should be:
 ≤ -18 dB (3.3 - 10.5 GHz)
 ≤ -14 dB (10.5 - 20 GHz).
9. Remove the 22KF50 Open / Short.
10. Connect the 29KF50-15 Precision Offset Termination to the open end of the airline.
11. Press the **AUTOSCALE** key.
12. Measure and record the worst case peak-to-peak ripple.
13. Add this value to the mean value of the 29KF50-15 Precision Offset Termination.
14. Use the RF Measurement Chart to correlate the reading to a return loss value in dB. The measured value should be:
 ≤ -29 dB (3.3 - 20 GHz).
15. Remove the airline and Precision Offset Termination.

6. POWER MONITOR VERIFICATION

If the Power Monitor (Option 5) is installed in the Site Master, the following test can be used to verify the accuracy of the power measurements. Measurement calibration of the Site Master is **not** required for this test.

a. Equipment Required:

- RF Detector, 10 MHz to 20 GHz, Anritsu 560-7N50B
- 10 dB Attenuator, Weinshel 1R-10
- 30 dB Attenuator, Weinshel 1R-30
- RF Reference Source, 0.050 GHz, Anritsu MA2418A
- DC Power Supply, Anritsu 2000-933

b. Procedure

1. Connect the DC power supply to the MA2418A Reference Source. (Refer to Figure 3.)
2. Connect the MA2418A Reference Source to the input of the 560-7N50B RF detector.
3. Connect the RF Detector output to the RF Detector input of the Site Master.
4. Connect the DC power supply to the appropriate line voltage to supply power to the MA2418A Reference Source.
5. Press and hold the **ESCAPE/CLEAR** key, then press the **ON/OFF** key to turn on the Site Master. (This sets the instrument to the factory preset state.)
6. Press the **MODE** soft key.
7. Use the Up/Down Arrow key to highlight **POWER MONITOR**, then press **ENTER**.
8. Press the **ZERO** soft key to zero the power monitor. When complete, **ZERO ADJ:ON** is displayed in the message area.
9. Verify that the power monitor reading is 0.0 dBm \pm 1 dB.

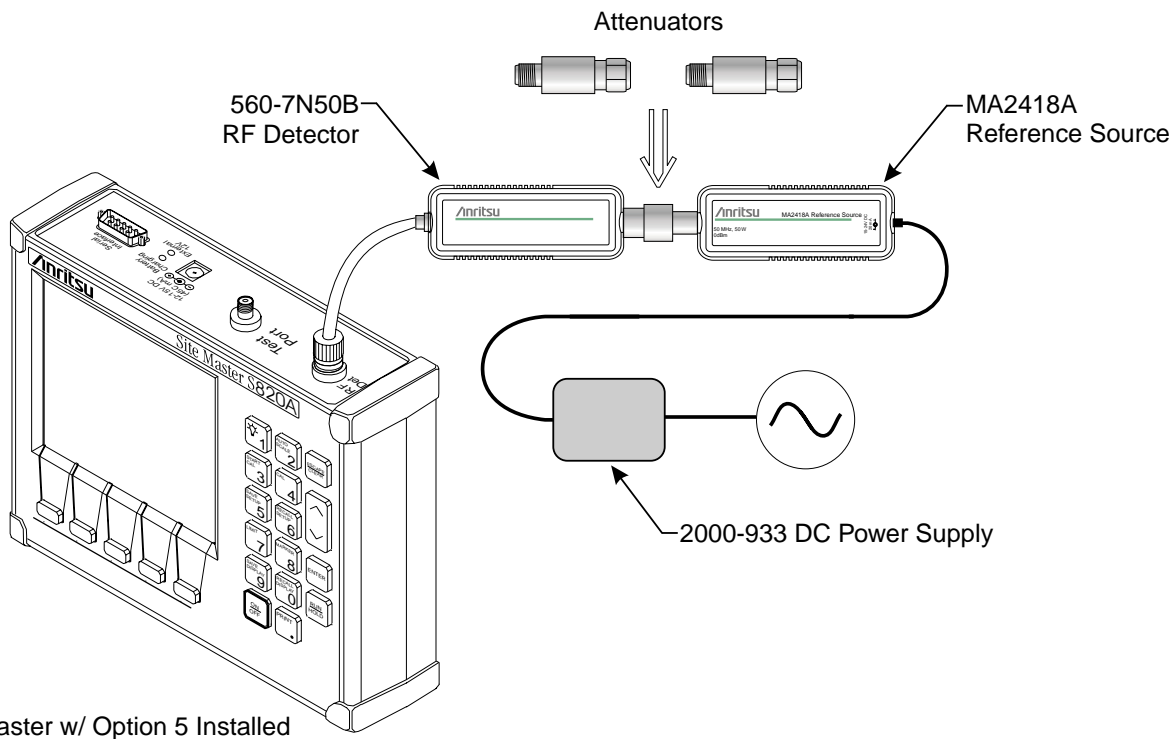


Figure 3. Power Monitor Verification

10. Connect the output of the MA2418A Reference Source to the two attenuators so as to add 40 dB of attenuation (Figure 3).
11. Connect the MA2418A Reference Source and the attenuators to the input of the 560-7N50B RF detector.
12. Verify that the power monitor reading is now $-40.0 \text{ dBm} \pm 2 \text{ dB}$.

7. TERMINATION VERIFICATION

This test can be used to verify the accuracy of terminations used with the Site Master. The test uses the precision return loss mode of the 541XXA Scalar Measurement System. Measurements of terminations using this mode provide results that are traceable to the NIST (National Institute of Standards and Technology) standards for the precision airline.

a. Equipment Required:

- Scalar Measurement System, Anritsu 54161A/69A
- Offset SWR Autotester, Anritsu 560-98KF50-15
- Precision Airline, Anritsu 19KF50
- Open/Short, Anritsu 22K50
- 50 Ohm Termination, Anritsu 28K50
- Source Adapter, Anritsu K220B

b. Procedure

1. Connect the test equipment as shown in Figure 3.
2. Press the Power key on the 541XXA to On.
3. Press the System Menu key.
4. Using the Menu up-down keys: Highlight RESET, then press the Select key.
5. At the RESET MENU display, use the Menu up-down keys to highlight RESET TO FACTORY DEFAULTS, then press the Select key.
6. Set the signal source for the frequency range as follows:
 - (a) Press the Frequency key.
 - (b) Using the Data Entry Keypad or Data Entry Knob, set the START frequency to 0.01 GHz. Press the Enter key.
 - (c) Using the Data Entry Keypad or Data Entry Knob, set the STOP frequency to 20.0 GHz. Press the Enter key.
7. Press the Channel 2 Display On/Off key to Off.
8. Press the Channel 1 Menu key.

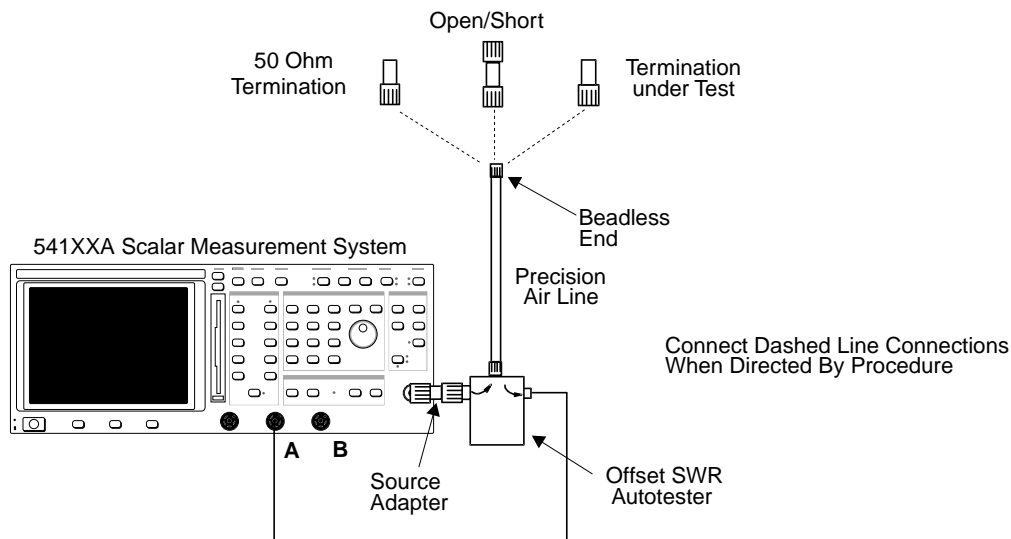


Figure 4. 541XXA Precision Return Loss Test Setup

9. Using the Menu up-down keys: Highlight PRECISION RL, then press the Select key.
10. At the PRECISION RETURN LOSS menu display, use the Menu up-down keys to highlight FINAL, then press the Select key.
11. Press the Calibration key.
12. At the CALIBRATION menu display, use the Menu up-down keys to highlight START CAL, then press the Select key.
13. At the PRECISION RETURN LOSS CALIBRATION menu display prompt, connect the Offset SWR Autotester to Input A, if you have not done so yet.
14. Connect the precision air line to the Offset SWR Autotester test port. Position the air line pointing vertically upward. Downward or horizontal positions make connector pin alignment difficult.

NOTE

Ensure that the beadless end of the precision airline is at the measurement connection point.

15. Press the Select key when ready.
16. At the PRECISION RETURN LOSS CALIBRATION menu prompt, connect the Open to the beadless end of the air-line. Press the Select key to start the calibration.
17. Verify that the display resembles that shown in Figure 5.

CAUTION

During both calibration and measurement, be sure to properly align the beadless connector of the airline. When the connectors are mis-aligned, a spike will usually be visible on the display.

18. At the next menu prompt, remove the Open and connect the Short to the beadless end of the airline. Press the Select key to start the calibration process.
19. At the next menu prompt, remove the Short and connect the 50 Ohm Termination to the beadless end of the air line.

Press the Select key to start the calibration process.

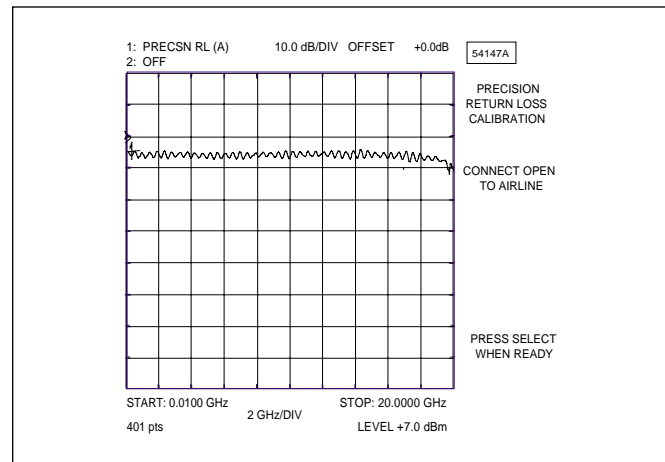


Figure 5. Example of a Good Connection

20. When the calibration is complete, remove the 50 Ohm Termination.
21. Connect the Termination under Test to the beadless end of the air line and press the Select key to begin the measurement.
22. Observe that the waveform displayed resembles that shown in Figure 6.

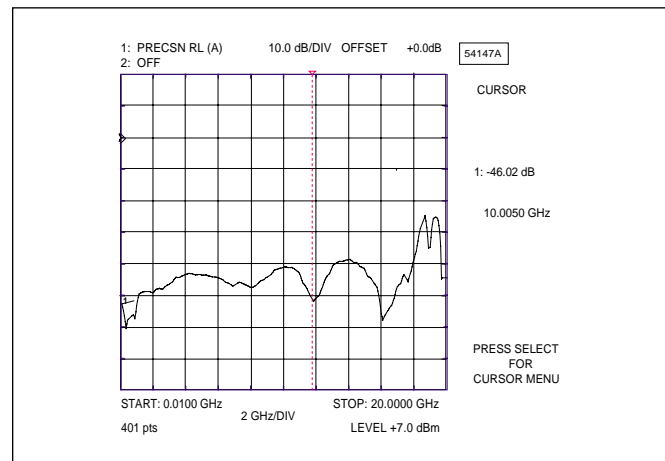


Figure 6. Direct Readout of the Precision Return Loss

23. Press the Cursor On/Off key to On.
24. Observe the CURSOR menu readout for the return loss reading. The minimum return loss reading for the 28K50 terminator should be:
 - ≤ -34 dB (3.3 - 18.5 GHz)
 - ≤ -29 dB (18.5 - 20 GHz).

8. BATTERY PACK REMOVAL

This procedure provides instructions for removing the battery pack. Refer to Figure 7 during this procedure.

1. Place the Site Master face up on a work surface.
2. Remove the four corner rubber bumpers (1).
3. Remove the four screws (PN 900-811) (2).
4. While holding the two halves of the Site Master together, turn it over and set it face down on the work surface.
5. Remove the bottom half (5) and fold it over to lay upside down on the work surface.
6. Disconnect the red/black cable of the battery pack from J6 (6) of the Main RF PCB assembly (3).
7. Remove the four screws (7) holding the battery bracket (8) in place and lift the bracket clear.
8. Remove the battery assembly (9).

CAUTION

In the next step, the Main RF PCB assembly (3) and test port panel (4) must stay with the front panel.

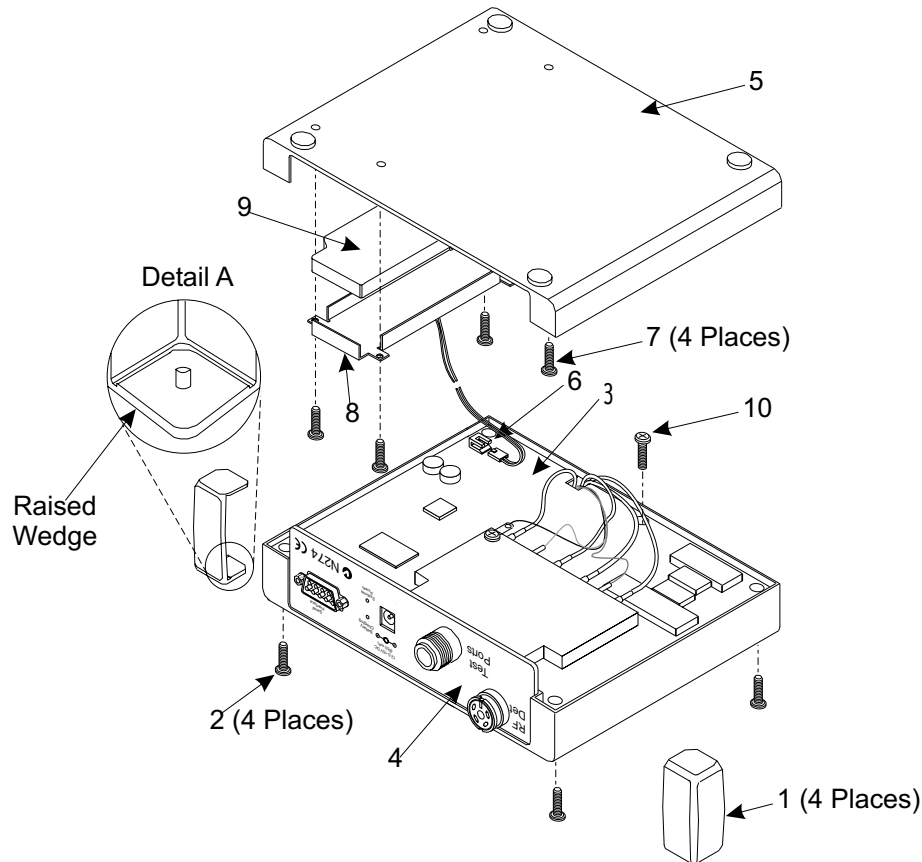


Figure 7. Site Master Battery Removal

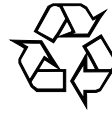
9. BATTERY PACK REPLACEMENT

This procedure provides instructions for replacing the battery pack. Refer to Figure 7 during the procedure.

1. Install the new battery assembly (9).
2. Replace the battery bracket (8) and insert the four screws (7) to hold the battery bracket in place.
3. Reconnect the red/black cable of the battery pack battery to J6 (6) on the main RF PCB assembly (3).
4. Set the bottom half in place.
5. While holding the two halves together, turn the Site Master over and lay it face up on the work surface.
6. Reinstall the four screws (2).
7. Install the rubber bumpers (1) on all four corners of the instrument.

10. BATTERY DISPOSAL

The battery used in the Site Master is a rechargeable nickel-cadmium (NiCd) battery and is covered by the Battery Directive (91/157/EEC). As such, the battery is marked as follows to indicate controlled disposal.



This marking indicates that the battery is a recyclable product.



This marking indicates that the battery requires separate collection and shows the chemical system (Nickel/Cadmium).

Component	% of Cell Weight
Nickel	19 to 26%
Cadmium	17 to 22%

This marking indicates the heavy-metal component concentration as a percentage of battery cell weight.

Spent nickel-cadmium batteries are valuable resources. Because they are reusable, do not throw them away. Arrange for proper return for recycling in your locality. If you do not have access to proper disposal methods, return the battery pack to your Anritsu service center. Service centers will dispose of the unit at no charge. Anritsu Service Centers are listed on page 14 of this manual.

11. KEY PAD MEMBRANE REPLACEMENT

This procedure provides instructions for replacing the key pad membrane. Refer to Figure 7 (page 7) during this procedure.

1. Place the Site Master face up on a work surface.
2. Remove the four corner rubber bumpers (1).
3. Remove the four screws (PN 900-811) (2).
4. While holding the two halves of the Site Master together, turn it over and set it face down on the work surface.

CAUTION

In the next step, the PCB Assy (3) and test port panel (4) must stay with the front panel.

5. Remove the bottom half (5) and fold it over to lay upside down on the work surface.
6. Disconnect the red/black cable of the battery pack from the main PCB assembly connector J6 (6).
7. Remove the screw (10) located on the bottom side of the main PCB assembly next to the RF Bridge assembly .
8. Pull the PCB assemblies clear from the top half of the case.
9. Lift the keypad membrane clear from the keypad assembly.
10. Install a new membrane.

NOTE

Carefully use pliers to pull the rubber tabs tight to ensure that the membrane is flush with the PCB.

11. Reverse the above procedure to re-assemble the Site Master.

12. LCD REPLACEMENT

This procedure provides instructions for replacing the Liquid Crystal Display (LCD). Refer to Figure 7 (page 7) during this procedure.

1. Place the Site Master face up on a work surface.
2. Remove the four corner rubber bumpers (1).
3. Remove the four screws (PN 900-811) (2).
4. While holding the two halves of the Site Master together, turn it over and set it face down on the work surface.

CAUTION

In the next step, the PCB Assy (3) and test port panel (4) must stay with the front panel.

5. Remove the bottom half (5) and fold it over to lay upside down on the work surface.
6. Disconnect the red/black cable of the battery pack from the main PCB assembly connector J6 (6).
7. Remove the screw (10) located on the bottom side of the main PCB assembly next to the RF Bridge assembly .
8. Pull the PCB assemblies clear from the top half of the case.
9. Remove the grey/brown cable of the LCD assembly from the main PCB assembly connector J8.
10. Remove the four screws from the LCD PCB assembly.
11. Carefully remove the 20-way ribbon cable from the connector on the keypad PCB assembly.
12. Install the new LCD PCB assembly. Use thread locker on the LCD mounting screws.
13. Reverse the above procedure to re-assemble the Site Master.

13. MAIN PCB AND RF MODULE ASSEMBLY REPLACEMENT

This procedure provides instructions for replacing the main PCB and RF module assembly. Refer to Figure 7 (page 7) during this procedure.

NOTE

The test port panel is replaced as part of the main PCB assembly.

1. Place the Site Master face up on a work surface.
2. Remove the four corner rubber bumpers (1).
3. Remove the four screws (PN 900-811) (2).
4. While holding the two halves of the Site Master together, turn it over and set it face down on the work surface.

CAUTION

In the next step, the PCB Assy (3) and test port panel (4) must stay with the front panel.

5. Remove the bottom half (5) and fold it over to lay upside down on the work surface.
6. Disconnect the red/black cable of the battery pack from the main PCB assembly connector J6 (6).
7. Remove the screw (10) located on the bottom side of the main PCB assembly next to the RF Bridge assembly.
8. Pull the PCB assemblies clear from the top half of the case.
9. Disconnect the grey/brown cable of the LCD assembly from the main PCB assembly connector J8.
10. Remove the four screws holding the LCD assembly, but do not disconnect the 20-way connector from the keypad PCB assembly.
11. Use pliers to gently squeeze the nine plastic spacer heads to release them from the Keypad PCB assembly and carefully pull the Keypad PCB with the LCD assembly from the main PCB assembly.

12. Remove the four standoffs and the EMI shield cloth.

NOTE

If the Power Monitor (Option 5) is installed, remove the two screws holding the Option 5 PCB assembly to the test port panel and unsolder the wires from pins 1 through 4 of the RF Detector connector on the test port panel.

13. Carefully remove the serial number from the test port panel.
14. Install the serial number on the replacement test port panel.
15. Reverse the above procedure to re-assemble the Site Master.

14. REPLACEABLE PARTS

Replaceable parts for the Site Master are listed in Table 1.

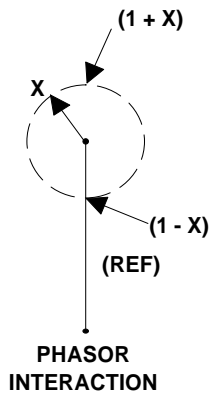
Table 1. Parts List

Part Number	Description	Qty
Accessories		
10580-00030	User's Guide, Site Master S820A	1
10580-00007	Battery Replacement and Disposal Guide	1
2300-347	Software Tools, Site Master	1
40-115	Power Supply	1
806-62	Cable Assy, Cig Plug, Female	1
800-441	Serial Interface Cable Assy	1
D41955	Carrying Case	1
Replaceable Parts		
B42893	EMI Shield	1
C41761	Liquid Crystal Display Assy	1
ND45417	Battery Pack Kit	1
ND52636	Main PCB Assy, S820A with μ wave module and cables	1
D41766-3	Keypad PCB Assy	1
D40864-2	Membrane Keypad, Main	1
C41767	Membrane, Soft Keys	1

Part Number	Description	Qty
Hardware		
790-171	Silicon Pad	1
761-10	Cap Vinyl, Black, round, 0.625 ID	1
790-52	Washer, #4, Shoulder, Nylon	1
900-257	Pan Head Screw, 0.312	4
790-445	Spacer PCB, 0.625, Self Mount	9
900-800	Pan Head Screw, #4, 0.312	1
900-811	Pan Head Screw, #4	4
900-326	Nut, Kep, 4-40, 0.312	4
900-697	Pan Head Screw, 4-40, 0.312	3
900-138	Screw, Pan, 2-56/patchlock, 0.18	4
B41753	Gasket, LCD	1
Case Parts		
D40861-3	Case	1
C40863	Bumper	4
B48182	ID Label, Model S820A	1

Table 2. RF Measurement Chart

Conversion tables for Return Loss, Reflection Coefficient, and SWR with tabular values for interaction of a small phaser x with a large phaser (unity reference) expressed in dB related to reference.



SWR	Reflection Coefficient	Return Loss (dB)	Relative to Unity Reference			
			X dB Below Reference	REF + X dB	REF - X dB	REF ± X Peak to Peak Ripple dB
17.3910	0.8913	1	1	5.5350	-19.2715	24.8065
8.7242	0.7943	2	2	5.0780	-13.7365	18.8145
5.8480	0.7079	3	3	4.6495	-10.6907	15.3402
4.4194	0.6310	4	4	4.2489	-8.6585	12.9073
3.5698	0.5623	5	5	3.8755	-7.1773	11.0528
3.0095	0.5012	6	6	3.5287	-6.0412	9.5699
2.6146	0.4467	7	7	3.2075	-5.1405	8.3480
2.3229	0.3981	8	8	2.9108	-4.4096	7.3204
2.0999	0.3548	9	9	2.6376	-3.8063	6.4439
1.9250	0.3162	10	10	2.3866	-3.3018	5.6884
1.7849	0.2818	11	11	2.1567	-2.8756	5.0322
1.6709	0.2512	12	12	1.9465	-2.5126	4.4590
1.5769	0.2239	13	13	1.7547	-2.2013	3.9561
1.4935	0.1995	14	14	1.5802	-1.9331	3.5133
1.4326	0.1778	15	15	1.4216	-1.7007	3.1224
1.3767	0.1585	16	16	1.2778	-1.4988	2.7766
1.3290	0.1413	17	17	1.1476	-1.3227	2.4703
1.2880	0.1259	18	18	1.0299	-1.1687	2.1986
1.2528	0.1122	19	19	0.9237	-1.0337	1.9574
1.2222	0.1000	20	20	0.8279	-0.9151	1.7430
1.1957	0.0891	21	21	0.7416	-0.8108	1.5524
1.1726	0.0794	22	22	0.6639	-0.7189	1.3828
1.1524	0.0708	23	23	0.5941	-0.6378	1.2319
1.1347	0.0631	24	24	0.5314	-0.5661	1.0975
1.1192	0.0562	25	25	0.4752	-0.5027	0.9779
1.1055	0.0501	26	26	0.4248	-0.4466	0.8714
1.0935	0.0447	27	27	0.3796	-0.3969	0.7765
1.0829	0.0398	28	28	0.3391	-0.3529	0.6919
1.0736	0.0355	29	29	0.3028	-0.3138	0.6166
1.0653	0.0316	30	30	0.2704	-0.2791	0.5495
1.0580	0.0282	31	31	0.2414	-0.2483	0.4897
1.0515	0.0251	32	32	0.2155	-0.2210	0.4365
1.0458	0.0224	33	33	0.1923	-0.1967	0.3890
1.0407	0.0200	34	34	0.1716	-0.1751	0.3467
1.0362	0.0178	35	35	0.1531	-0.1558	0.3090
1.0322	0.0158	36	36	0.1366	-0.1388	0.2753
1.0287	0.0141	37	37	0.1218	-0.1236	0.2454
1.0255	0.0126	38	38	0.1087	-0.1100	0.2187
1.0227	0.0112	39	39	0.0969	-0.0980	0.1949
1.0202	0.0100	40	40	0.0864	-0.0873	0.1737
1.0180	0.0089	41	41	0.0771	-0.0778	0.1548
1.0160	0.0079	42	42	0.0687	-0.0693	0.1380
1.0143	0.0071	43	43	0.0613	-0.0617	0.1230
1.0127	0.0063	44	44	0.0546	-0.0550	0.1096
1.0113	0.0056	45	45	0.0487	-0.0490	0.0977
1.0101	0.0050	46	46	0.0434	-0.0436	0.0871
1.0090	0.0045	47	47	0.0387	-0.0389	0.0776
1.0080	0.0040	48	48	0.0345	-0.0346	0.0692
1.0071	0.0035	49	49	0.0308	-0.0309	0.0616
1.0063	0.0032	50	50	0.0274	-0.0275	0.0549
1.0057	0.0028	51	51	0.0244	-0.0245	0.0490
1.0050	0.0025	52	52	0.0218	-0.0218	0.0436
1.0045	0.0022	53	53	0.0194	-0.0195	0.0389
1.0040	0.0020	54	54	0.0173	-0.0173	0.0347
1.0036	0.0018	55	55	0.0154	-0.0155	0.0309
1.0032	0.0016	56	56	0.0138	-0.0138	0.0275
1.0028	0.0014	57	57	0.0123	-0.0123	0.0245
1.0025	0.0013	58	58	0.0109	-0.0109	0.0219
1.0022	0.0011	59	59	0.0097	-0.0098	0.0195
1.0020	0.0010	60	60	0.0087	-0.0087	0.0174

RETURN LOSS VERIFICATION WORKSHEET

Source Match	
Peak-to-Peak Ripple:	
Return Loss Value:	
Corrected Directivity	
Peak-to-Peak Ripple:	
Return Loss Value:	
Sum of RLV and mean (should be ≤ 32 dB):	

Table 3. Anritsu Service Centers

UNITED STATES

ANRITSU COMPANY
685 Jarvis Drive
Morgan Hill, CA 95037-2809
Telephone: (408) 776-8300
FAX: 408-776-1744

ANRITSU COMPANY
10 NewMaple Ave., Suite 305
Pine Brook, NJ 07058
Telephone: 973-227-8999
FAX: 973-575-0092

ANRITSU COMPANY
1155 E. Collins Blvd
Richardson, TX 75081
Telephone: 1-800-ANRITSU
FAX: 972-671-1877

AUSTRALIA

ANRITSU PTY. LTD.
Unit 3, 170 Foster Road
Mt Waverley, VIC 3149
Australia
Telephone: 03-9558-8177
FAX: 03-9558-8255

BRAZIL

ANRITSU ELECTRONICA LTDA.
Praia de Botafogo 440. Sala 2401
CEP22250-040,Rio de Janeiro,RJ, Brasil
Telephone: 021-527-6922
FAX: 021-53-71-456

CANADA

ANRITSU INSTRUMENTS LTD.
700 Silver Seven Road, Suite 120
Kanata, Ontario K2V 1C3
Telephone: (613) 591-2003
FAX: (613) 591-1006

CHINA (SHANGHAI)

ANRITSU ELECTRONICS CO LTD
2F,Rm.B, 52 Section Factory Bldg.
NO 516 Fu Te Road (N)
Waigaoqiao Free Trade Zone
Pudong, Shanghai 200131
PR CHINA
Telephone: 86-21-58680226
FAX: 86-21-58680588

FRANCE

ANRITSU S.A
9 Avenue du Quebec
Zone de Courtaboeuf
91951 Les Ulis Cedex
Telephone: 016-09-21-550
FAX: 016-44-61-065

GERMANY

ANRITSU GmbH
Grafenberger Allee 54-56
D-40237 Dusseldorf
Germany
Telephone: 0211-968550
FAX: 0211-9685555

INDIA

MEERA AGENCIES (P) LTD
A-23 Hauz Khas
New Delhi, India 110 016
Telephone: 011-685-3959
FAX: 011-686-6720

ISRAEL

TECH-CENT, LTD
4 Raul Valenberg St.
Tel-Aviv, Israel 69719
Telephone: 972-36-478563
FAX: 972-36-478334

ITALY

ANRITSU Sp.A
Rome Office
Via E. Vittorini, 129
00144 Roma EUR
Telephone: (06) 50-2299-711
FAX: 06-50-22-4252

JAPAN

ANRITSU CUSTOMER SERVICE LTD.
1800 Onna Atsugi—shi
Kanagawa-Prf. 243 Japan
Telephone: 0462-96-6688
FAX: 0462-25-8379

KOREA

ANRITSU SERVICE CENTER
8F Hyunjuk-Bldg, 832-41
Yeoksam-Dong
Kangnam-Gu
Seoul, 135-080, Korea
Telephone: 82-2-553-6603
FAX: 82-2-553-6605

SINGAPORE

ANRITSU (SINGAPORE) PTE LTD
10, Hoe Chiang Road
#07-01/02
Keppel Towers
Singapore 089315
Telephone:65-282-2400
FAX:65-282-2533

SOUTH AFRICA

ETESCSA
12 Surrey Square Office Park
330 Surrey Avenue
Ferndale, Randburt, 2194
South Africa
Telephone: 011-27-11-787-7200
Fax: 011-27-11-787-0446

SWEDEN

ANRITSU AB
Botvid Center
Fittja Backe 13A
145 84
Stockholm, Sweden
Telephone: (08) 534-707-00
FAX: (08)534-707-30

TAIWAN

ANRITSU COMPANY
7F, NO.316, Sec.1,
Nei Hu Road
Taipei, Taiwan, R.O.C.
Telephone: 886-2-8751-2126
FAX: 886-2-8751-1817

UNITED KINGDOM

ANRITSU LTD.
200 Capability Green
Luton, Bedfordshire
LU1 3LU, England
Telephone: 015-82-43-3200
FAX: 015-82-73-1303

NOTES

Anritsu

Free Manuals Download Website

<http://myh66.com>

<http://usermanuals.us>

<http://www.somanuals.com>

<http://www.4manuals.cc>

<http://www.manual-lib.com>

<http://www.404manual.com>

<http://www.luxmanual.com>

<http://aubethermostatmanual.com>

Golf course search by state

<http://golfingnear.com>

Email search by domain

<http://emailbydomain.com>

Auto manuals search

<http://auto.somanuals.com>

TV manuals search

<http://tv.somanuals.com>