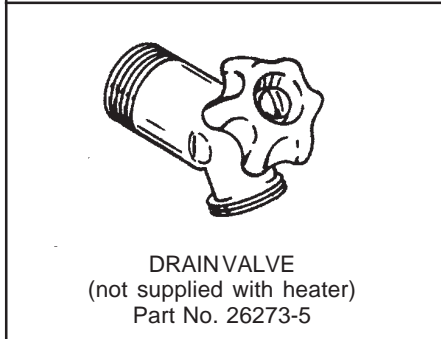
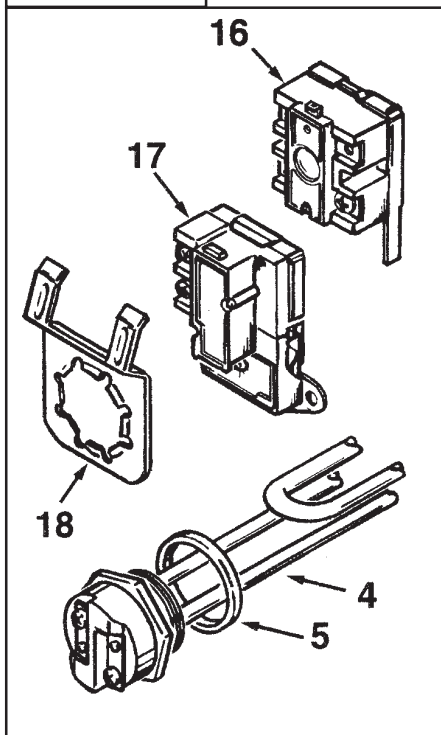
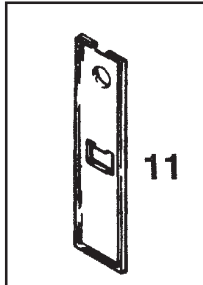


**A. O. SMITH**

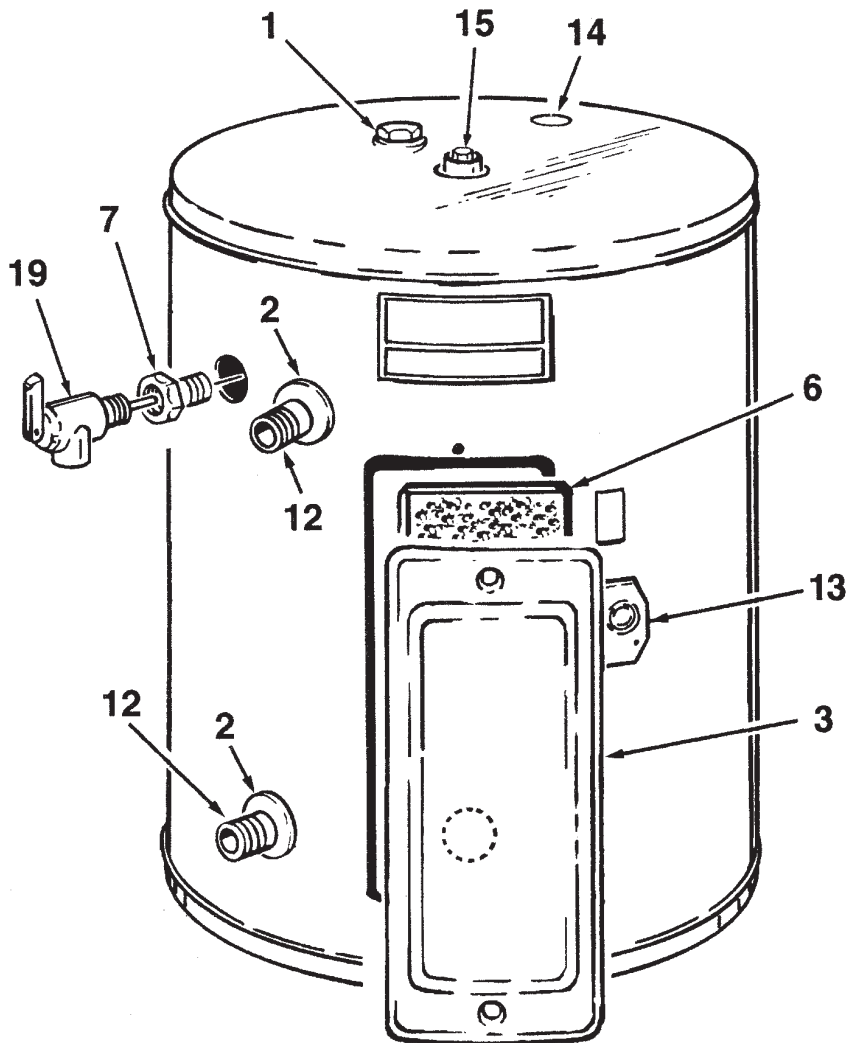
**WATER PRODUCTS  
COMPANY**

**ELECTRIC**

PSD-3-310/A  
COMMERCIAL WATER HEATER PARTS LIST  
MODELS DEL-6, 10, 15, 20  
SERIES 104



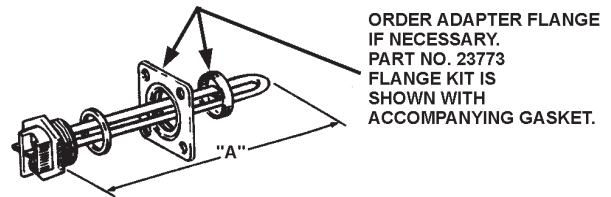
DRAIN VALVE  
(not supplied with heater)  
Part No. 26273-5



**A.O. SMITH WATER PRODUCTS CO., INC.**  
5621 W. 115TH STREET • ALSIP, ILLINOIS 60803  
Phone: 1-800-433-2545 • Fax: 1-800-433-2515  
website: [www.hotwater.com](http://www.hotwater.com) • email: [parts@hotwater.com](mailto:parts@hotwater.com)

Item	Description	DEL-6	DEL-10	DEL-15	DEL-20
1	Anode, Plug.....	43817-11	43817-11	43817-11	43817-11
2	Collar, Pipe .....	20172-14(2)	20172-14(2)	20172-14(2)	20172-14(2)
3	Cover, Front .....	181260	181260	181260	181260
4	ELEMENT, HEATING .....	<u>SEE ELEMENT CHART BELOW</u>			
5	Gasket, Element.....	<u>42537</u>	<u>42537</u>	<u>42537</u>	<u>42537</u>
6	Opening Insulation .....	43307	43307	43307	3400-167
7	Fitting, Extension.....	- - - -	43231-1	43231-1	43231-1
8	*Instruction Manual .....	41863	41863	41863	41863
LABEL					
9	*Scald Warning .....	181138	181138	181138	181138
10	*Temperature Warning .....	182734	182734	182734	182734
11	Personnel Protector .....	182117	182117	182117	182117
12	Pipe Nipple .....	38469	38469-5	38469-5	38469-5
13	Plate, Knockout .....	43293-1	43293-1	43293-1	43293-1
PLUG					
14	Cap .....	42306-1	42306-1	42306-1	42306-1
15	Pipe .....	- - - -	92650-1	92650-1	92650-1
16	Switch, High Limit.....	23899-17	23899-17	23899-17	23899-17
17	Thermostat .....	23897-17	23897-17	23897-17	23897-17
16/17	Thermostat with High Limit Switch .....	<u>40836-17</u>	<u>40836-17</u>	<u>40836-17</u>	<u>40836-17</u>
18	Bracket, Thermostat .....	182707	182707	182707	182707
19	Valve, Relief .....	<u>43151</u>	<u>76527</u>	<u>76527</u>	<u>76527</u>

\*Not Illustrated.  
Standard Hardware Items May Be Purchased Locally.  
Underlined Parts Are Recommended For Emergency Replacement.



### Master-Fit® SCREW-IN ELEMENT CHART

Wattage	120V	Max. "A" Dim. (inches)	208V	Max. "A" Dim. (inches)	240V	Max. "A" Dim. (inches)	277V	Max. "A" Dim. (inches)	480V	Max. "A" Dim. (inches)
1000W	23790-2	8	23775-2	9 1/2	23791-2	8	23782-2	9 1/2	---	---
1500W	23790-4	11	23775-4	13	23791-4	11	23782-4	9 1/2	---	---
2000W	23790-5	11 1/2	23775-5	13 1/2	23791-5	13 1/2	23782-5	13 1/2	---	---
2500W	23790-6	11 1/2	23775-6	13 1/2	23791-6	12 1/2	23782-6	13 1/2	23783-6	11 1/2
3000W	23790-7	11 3/4	23775-7	13 1/2	23791-7	11 3/4	23782-7	11 3/4	23783-7	11 3/4
3500W			23775-8	13 1/2	23791-8	13 1/2	23782-8	13 1/2	23783-8	12 1/2
4000W			23775-9	13 1/2	23791-9	13 1/2	23782-9	13 1/2	23783-9	13 1/2
4500W			23775-10	13 1/2	23791-10	13 1/2	23782-10	13 1/2	23783-10	13 1/2
5000W			23775-11	13 1/2	23791-11	16	23782-11	13 1/2	23783-11	13 1/2
5500W			23775-14	15 1/2	23791-14	16	23782-14	13 1/2	23783-14	13 1/2
6000W			23775-12	16	23791-12	16	23782-12	15 1/2	23783-12	15 1/2

NOTE: 1000 Watts = 1 Kilowatt. (All Elements are individually boxed).

## Free Manuals Download Website

<http://myh66.com>

<http://usermanuals.us>

<http://www.somanuals.com>

<http://www.4manuals.cc>

<http://www.manual-lib.com>

<http://www.404manual.com>

<http://www.luxmanual.com>

<http://aubethermostatmanual.com>

Golf course search by state

<http://golfingnear.com>

Email search by domain

<http://emailbydomain.com>

Auto manuals search

<http://auto.somanuals.com>

TV manuals search

<http://tv.somanuals.com>