

A.O. SMITH

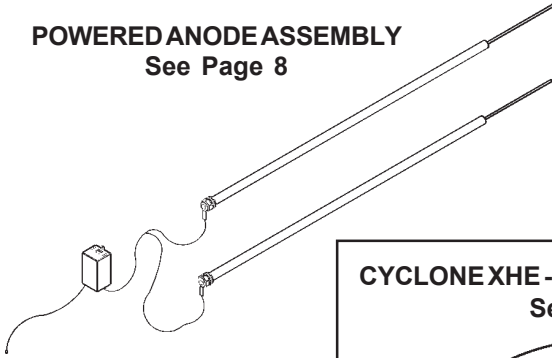
WATER PRODUCTS COMPANY

PSD-3-443/c

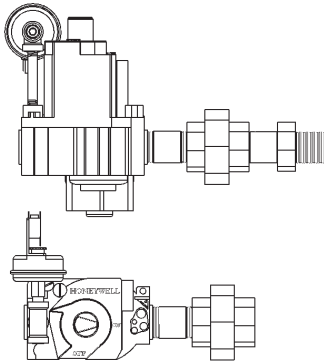
GAS

COMMERCIAL WATER HEATER PARTS LIST
MODEL BTH-300A
SERIES 970/971
MODEL BTH-400A
SERIES 970

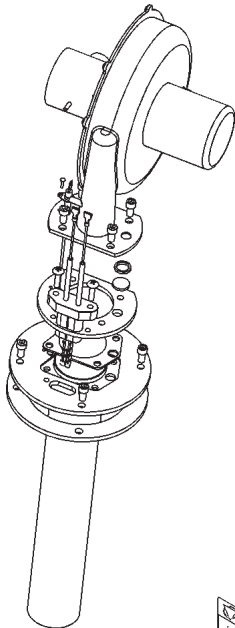
POWERED ANODE ASSEMBLY
See Page 8



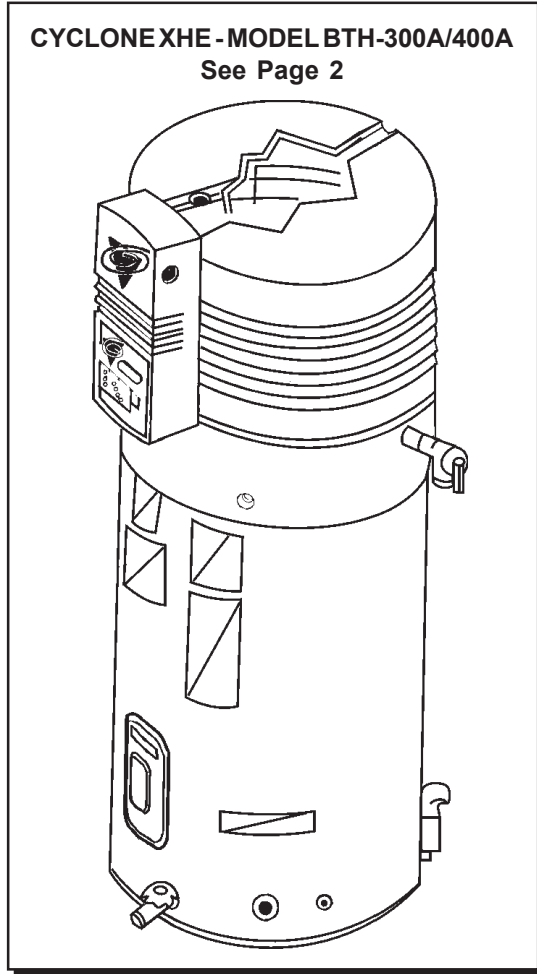
GAS VALVE
See Page 5



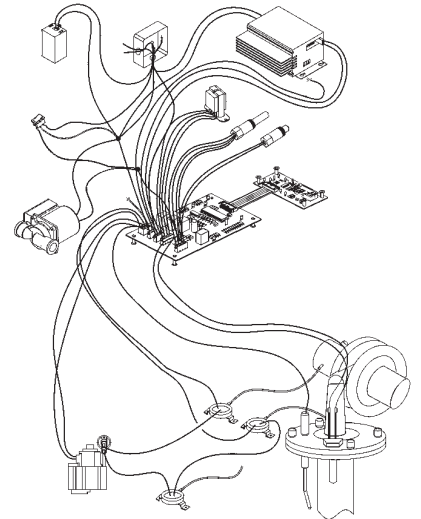
BLOWER/BURNER ASSEMBLY
See Page 7



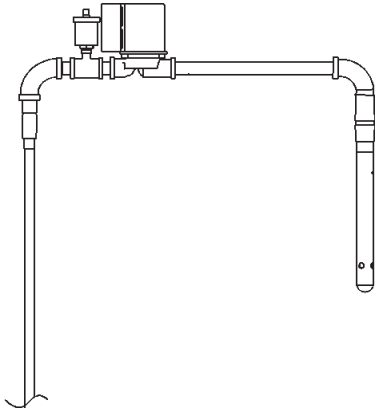
CYCLONE XHE - MODEL BTH-300A/400A
See Page 2



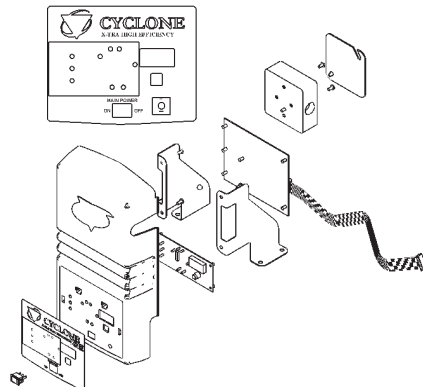
OPERATING CONTROL WIRING
See Page 4



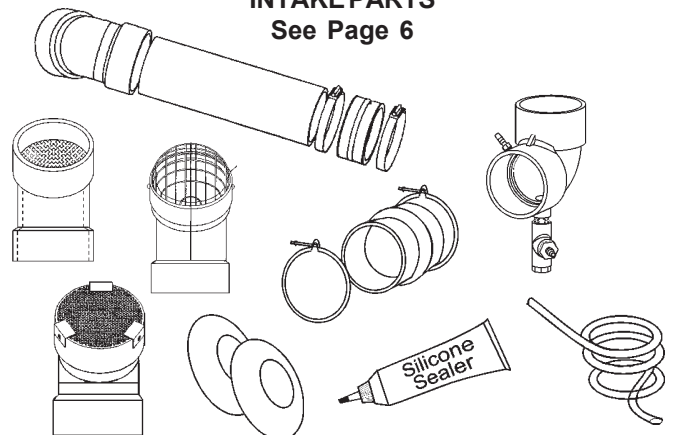
RECIRCULATING SYSTEM
See Page 5



CONTROL PANEL
See Page 3

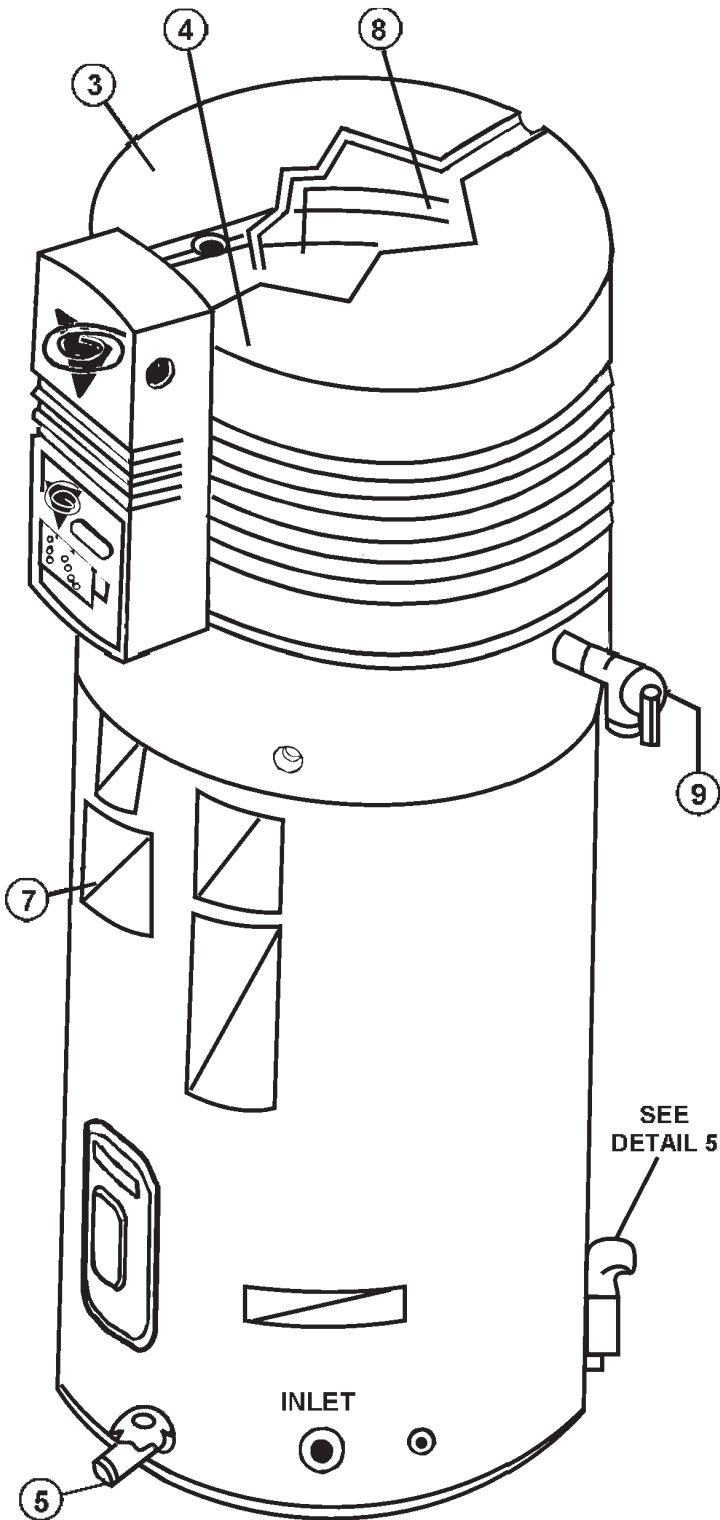


EXHAUST ELBOW, VENT KIT & BLOWER INTAKE PARTS
See Page 6



CYCLONE XHE BTH 300A/400A - PARTS LIST

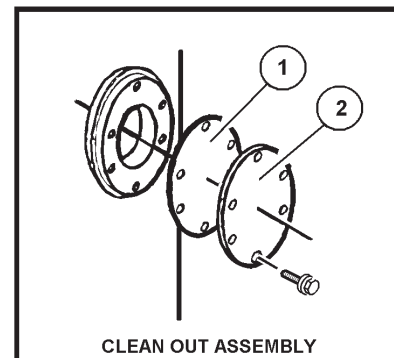
| Item | Description | BTH 300A 970/971 | BTH 400A 970/971 |
|------|--|---------------------|---------------------|
| 1 | Cleanout Gasket | <u>99038</u> | <u>99038</u> |
| 2 | Cover, Cleanout | <u>99037</u> | <u>99037</u> |
| 3 | Cover, Left | 194748 | 194748 |
| 4 | Cover, Right | 194749 | 194749 |
| 5 | Drain Valve | 26273-4 | 26273-4 |
| 7 | Labels: | | |
| | 800 Help Line | 190600 | 190600 |
| | C.E.C. | 42985 | 42985 |
| | Cleanout | 78754 | 78754 |
| | ECO | 192282-1 | 192282-1 |
| | Electronic Ignition | 77860 | 77860 |
| | Flammable Vapors | 193302 | 193302 |
| | Lighting & Operating | 194548 | 194548 |
| | Relief Valve | 191068 | 191068 |
| | UL | 192870 | 192870 |
| | Ultra Coat | 193860 | 193860 |
| | Warning | 193912 | 193912 |
| | Water Inlet | 94519 | 94519 |
| | Water Outlet | 94518 | 94518 |
| | Wiring Diagram | 194772 | 194772 |
| 8 | Panel, Back | 194750 | 194750 |
| 9 | Temperature and Pressure Relief Valve | 99383-3 | 99383-3 |



NOTE: Underlined parts are recommended stock items for emergency replacement. Consider gas used in your area only.

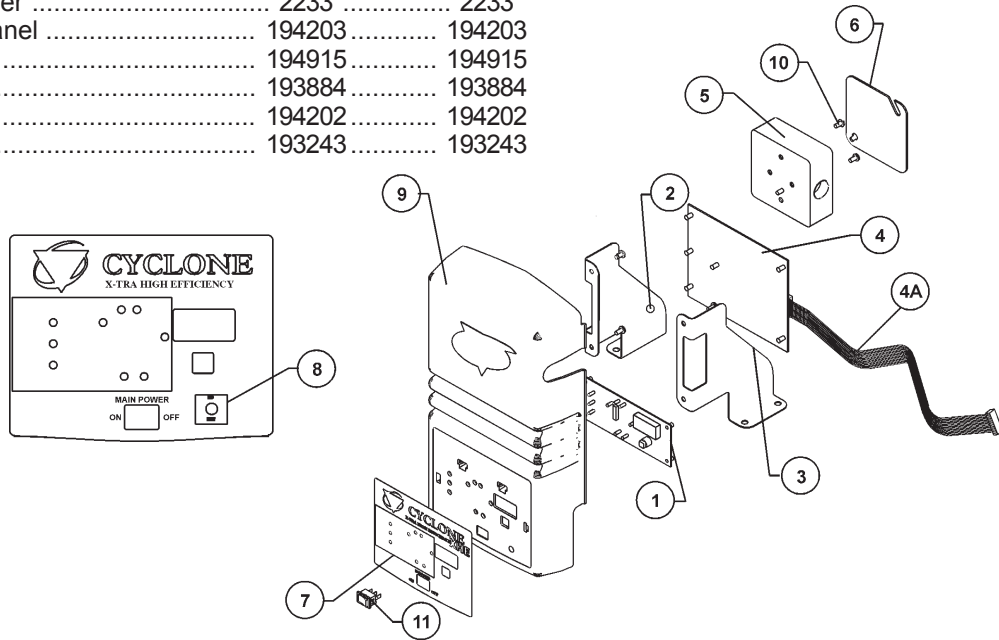
*Not illustrated.

Standard hardware items may be purchased locally.



CYCLONE XHE BTH 300A/400A - CONTROL PANEL

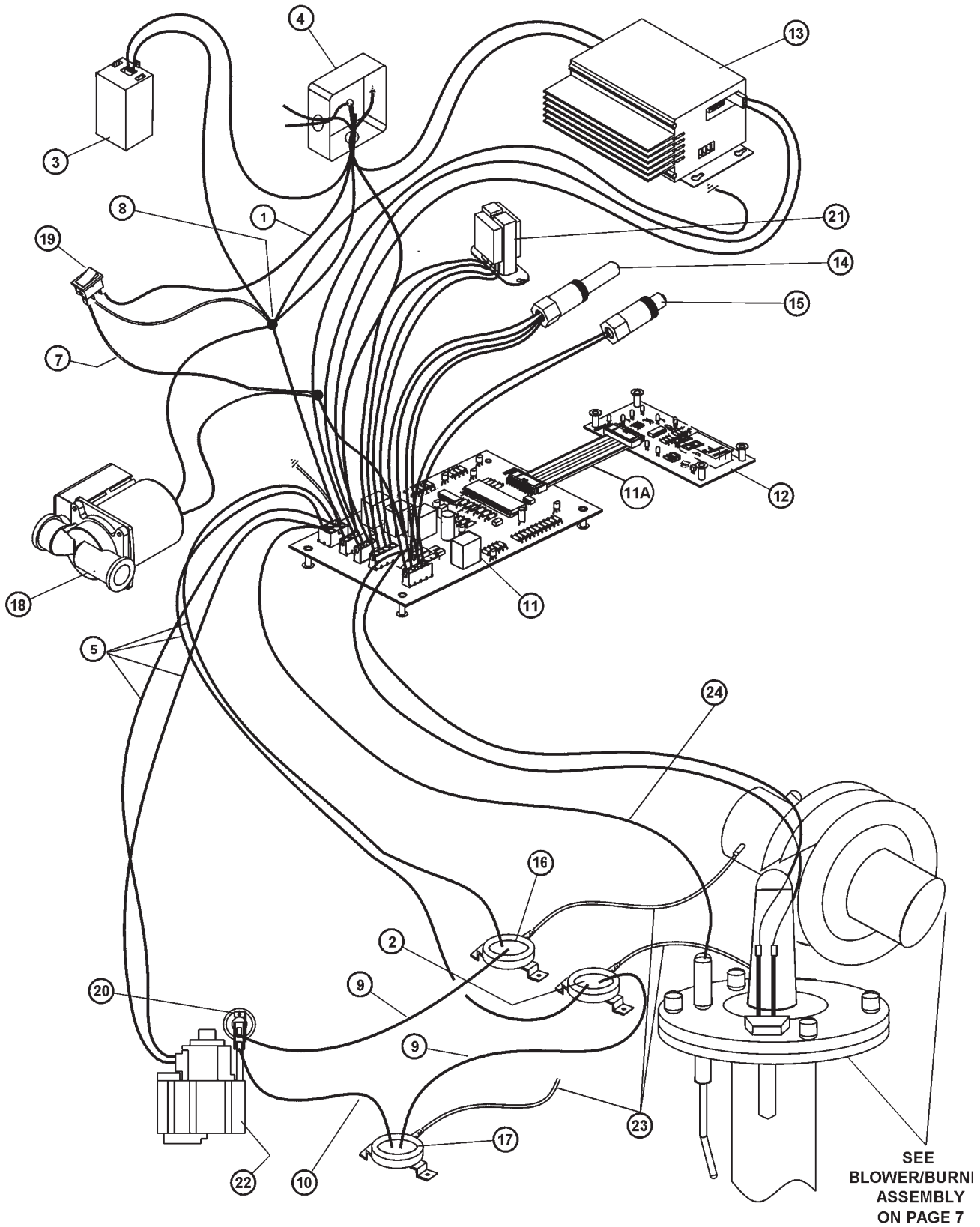
| Item | Description | BTH300A | BTH400A |
|------|--|----------|----------|
| | | 970/971 | 970/971 |
| 1 | Board, Display Panel | 194808 | 194808 |
| 2 | Bracket, Mounting Left | 194123-1 | 194123-1 |
| 3 | Bracket, Mounting Right | 194123 | 194123 |
| | Control Board, Cable Assembly (includes 4 & 4A) | 194811 | 195018 |
| 4 | Control Board | 194812 | 195010 |
| 4A | Cable Assembly | 194809 | 194809 |
| 5 | Junction Box Assembly | 194126 | 194126 |
| 6 | Junction Box Cover | 2233 | 2233 |
| 7 | Label, Display Panel | 194203 | 194203 |
| 8 | Label, Led | 194915 | 194915 |
| 9 | Panel Front | 193884 | 193884 |
| 10 | Screw, Plastic | 194202 | 194202 |
| 11 | Switch, Off/On | 193243 | 193243 |



CYCLONE XHE BTH 300A/400A - OPERATING CONTROLS & WIRING (See Next Page)

| Item | Description | BTH 300A | BTH 400A |
|------|--|----------|----------|
| | | 970/971 | 970/971 |
| 1 | Cable Assembly, Power Switch | 194785 | 194785 |
| 2 | Blower Prover Air Switch | 194706 | 195013 |
| 3 | Box, Anode | 194857 | 194857 |
| 4 | Box, Junction | 194126 | 194126 |
| 5 | Cable Assembly, Low Voltage | 194918 | 194918 |
| 7 | Wire Harness | 194783 | 194783 |
| 8 | Cable, Assembly - Controls | 194784 | 194784 |
| 9 | Wire Assembly - Air Flow Switch | 192802-2 | 192802-2 |
| 10 | Wire Assembly - Air Flow Switch | 192802-1 | 192802-1 |
| | Control Board, Cable Assembly (Includes Item 11 & 11A) | 194811 | 195018 |
| 11 | Control Board | 194812 | 195010 |
| 11A | Cable Assembly | 194809 | 194809 |
| 12 | Display Board | 194808 | 194808 |
| 13 | Electronic Control | 194747 | 194747 |
| 14 | Probe, Upper | 196597 | 196597 |
| 15 | Probe, Lower | 196598 | 196598 |
| 16 | Switch, Blocked Inlet | 194911 | 195012 |
| 17 | Switch, Blocked Outlet - NAT | 194910 | 194910 |
| | Switch, Blocked Outlet - LP | 195017 | 195017 |
| 18 | Pump, Recirculation | 194799 | 194799 |
| 19 | Switch, On/Off | 193243 | 193243 |
| 20 | Switch, NAT, Low Gas Pressure | 191149-6 | 191149-6 |
| | Switch, LP, Low Gas Pressure | 191149-4 | 191149-4 |
| 21 | Transformer | 192608 | 192608 |
| 22 | Valve, Natural Gas | 194536-5 | 194536-5 |
| 22 | Valve, LP Gas | 194536-6 | 194536-6 |
| 23 | Tubing, 1/4" ID, PVC | 193738 | 193738 |
| 24 | Cable Assembly, Igniter | 194937 | 194937 |

DETAIL 2 - CYCLONE XHE BTH 300A - CONNECTIONS (Continued)

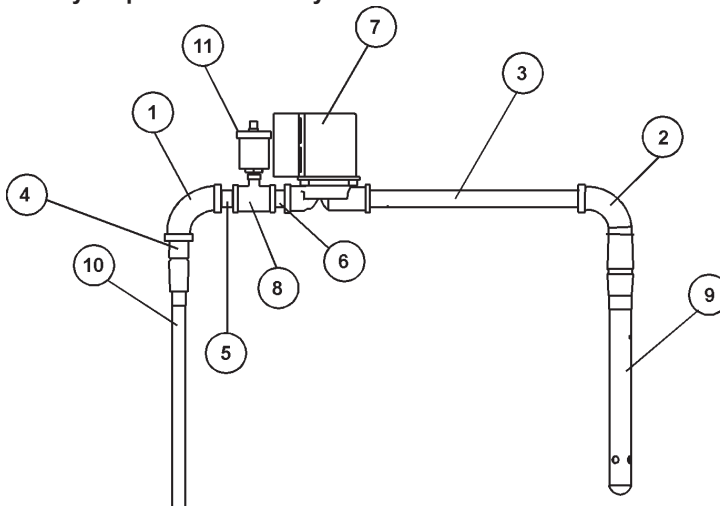


SEE
BLOWER/BURNER
ASSEMBLY
ON PAGE 7

RECIRCULATING SYSTEM

| Item | Description | BTH 300A 970/971 | BTH 400A 970/971 |
|------|--|---------------------|---------------------|
| 1 | Elbow, 3/4" Female - 3/4" Female | 194873 | 194873 |
| 2 | Elbow, 3/4" Male - 1" Female | 194872 | 194872 |
| 3 | Hose, Flexible | 194912 | 194912 |
| 4 | Nipple, 3/4" - Pipe x 2" | 194921-3 | 194921-3 |
| 5 | Nipple, 3/4" - Pipe x 4" | 194921-2 | 194921-2 |
| 6 | Nipple, 3/4" - Pipe x close | 194921-1 | 194921-1 |
| 7 | Pump, Recirculation | 194799 | 194799 |
| 8 | Tee, Non-Reducing | 194870 | 194870 |
| 9 | Tube, Closed End Dip | 194924 | 194924 |
| 10 | Tube, Inlet | 194820 | 194820 |
| 11 | Vent, Automatic Air | 194830 | 194830 |

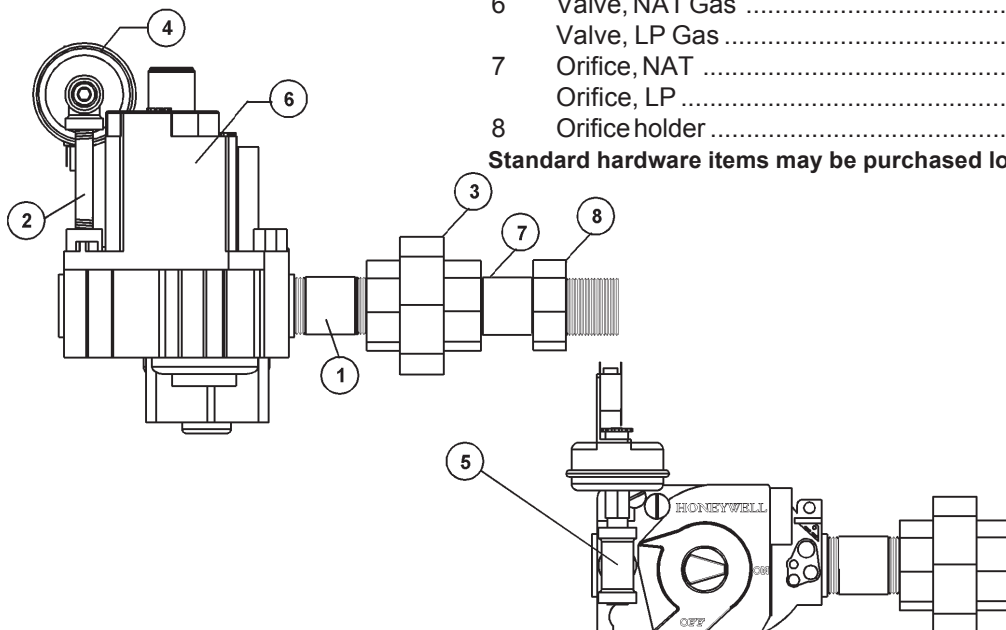
Standard hardware items may be purchased locally.



DETAIL 4 - GAS VALVE

| Item | Description | BTH 300A 970/971 | BTH 400A 970/971 |
|------|--------------------------------|---------------------|---------------------|
| 1 | Nipple, 3/4" - Pipe | 85040-18 | 85040-18 |
| 2 | Nipple, 1/8" - Pipe | 192948-2 | 192948-2 |
| 3 | Pipe, Union | 95515 | 95515 |
| 4 | Switch, Low Gas Pressure | 191149-6 | 191149-6 |
| | LP Gas | 191149-4 | 191149-4 |
| 5 | Tee, Non-Reducing | 40119 | 40119 |
| 6 | Valve, NAT Gas | 194536-5 | 194536-5 |
| | Valve, LP Gas | 194536-6 | 194536-6 |
| 7 | Orifice, NAT | 192477-7 | 192477 |
| | Orifice, LP | 192477-8 | 192477-9 |
| 8 | Orifice holder | 192447 | 192447 |

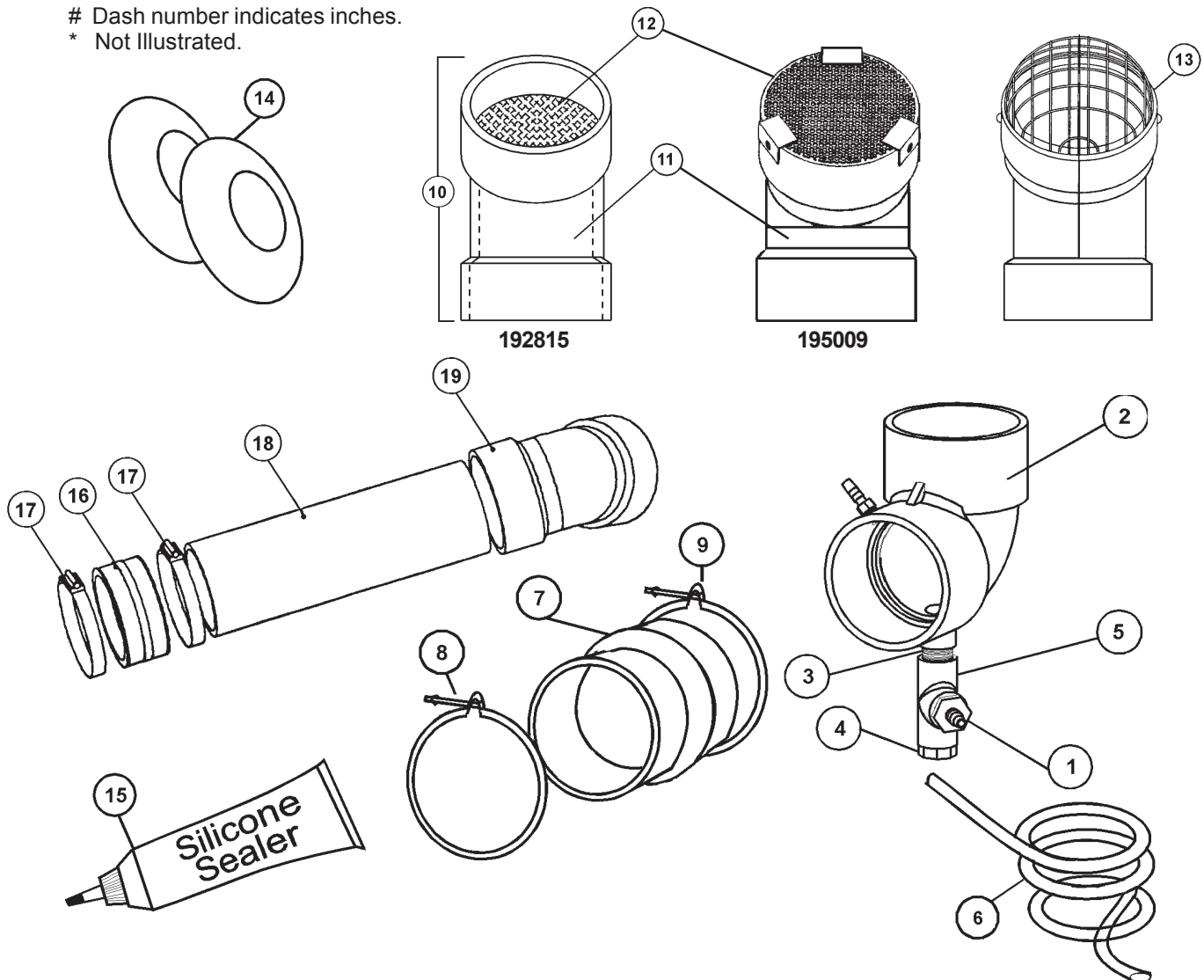
Standard hardware items may be purchased locally.



EXHAUST ELBOW, VENT KIT & BLOWER INTAKE PARTS

| Item | Description | BTH 300A 970/971 | BTH 400A 970/971 |
|-----------------------------------|-----------------------------------|---------------------|---------------------|
| EXHAUST ELBOW AND FITTINGS | | | |
| 1 | Adapter, Hose Fitting | 192472 | 192472 |
| 2 | Elbow, 90° | 194836 | 194836 |
| 3 | Nipple, Pipe, Closed | 194558 | 194588 |
| 4 | Plug, Hex | 194560 | 194560 |
| 5 | Tee | 194559 | 194559 |
| 6 | Tubing | 191746-72 | 191746-72 |
| 7 | Connector, Exhaust | 192636 | 192636 |
| 8 | Hose Clamp, 3" | 192696 | 192696 |
| 9 | Hose Clamp, 4.5" | 192697 | 192697 |
| VENT KIT PARTS | | | |
| 10 | Elbow w/Screen | 192815 | 195009 |
| 11 | Elbow, 45° x 3.5" dia. | 181901 | 181901 |
| 12 | Screen | 181662 | 195008 |
| 13 | Intake Terminal | 182167 | 182167 |
| 14 | Wall Plates (2 Req'd) | 181557 | 181557 |
| 15 | Silicone Sealer, 2 oz. tube | 181564 | 181564 |
| BLOWER INTAKE PARTS | | | |
| 16 | Coupling | 182094 | 182094 |
| 17 | Hose Clamp | 194838 | 194838 |
| 18 | Tube, Intake | 194923 | 194923 |
| 19 | Vent Terminal, Intake | 192815 | 192815 |

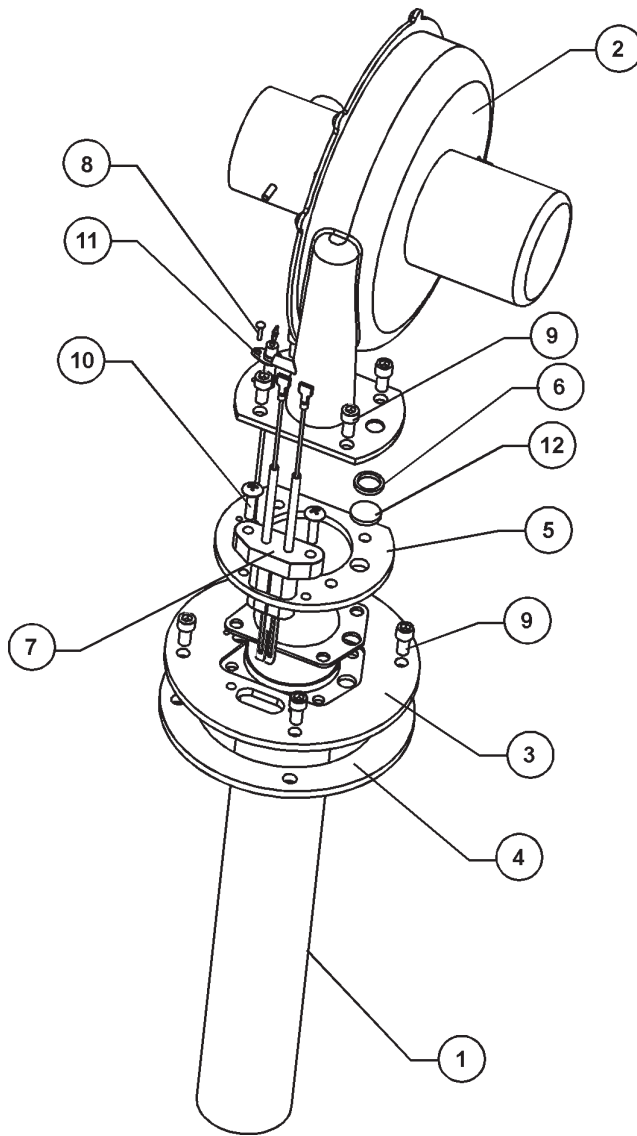
Dash number indicates inches.
* Not Illustrated.



BLOWER/BURNER - ASSEMBLY

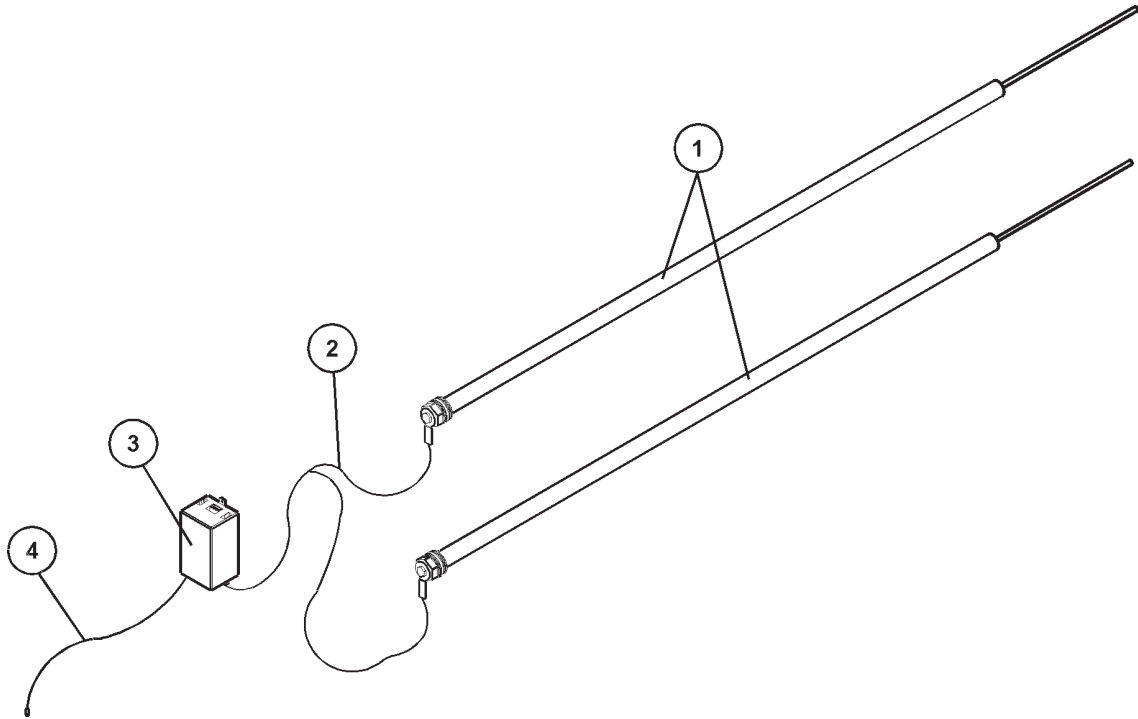
| Item | Description | BTH 300A | BTH 400A |
|------|---|----------------|----------|
| | | 970/971 | 970/971 |
| 1 | Burner | 194779 | 194998 |
| 2 | Blower/Motor Assembly | 194746 | 194746 |
| 3 | Flange-Burner | 194960 | 194960 |
| 4 | Gasket | 194817 | 194817 |
| 5 | Gasket, Burner | 194777 | 195016 |
| 6 | Gasket-Viewport | 194827 | 194827 |
| 7 | Ignitor | 192334 | 192334 |
| 8 | Screw, #8-18 x 1/2 | 192698 | 192698 |
| 9 | Screw, Socket Head Cap | 192515 | 192515 |
| 10 | Screw, Truss Hd. Mach 1/4-20 x 2.00 | 194816 | 194816 |
| 11 | Sensor, Flame | 194776-1 | 194776-1 |
| 12 | Window, Observation | 98758-3 | 98758-3 |

Standard hardware items may be purchased locally.



POWERED ANODE ASSEMBLY

| Item | Description | BTH 300A | BTH 400A |
|------|------------------------|--------------|----------|
| | | 970/971 | 970/971 |
| 1 | Anode | 194787 | 194787 |
| 2 | Anode Wire, 28" | 194925 | 194925 |
| 3 | Control Box | 194857 | 194857 |
| 4 | LED w. Lead Wire | 194959 | 194959 |



A.O. SMITH WATER PRODUCTS COMPANY
 5621 W. 115TH STREET • ALSIP, ILLINOIS 60803
 PHONE: 1-800-433-2545 • FAX: 1-800-433-2515
 Website: www.hotwater.com • E-mail: www.hotwater.com/parts

Free Manuals Download Website

<http://myh66.com>

<http://usermanuals.us>

<http://www.somanuals.com>

<http://www.4manuals.cc>

<http://www.manual-lib.com>

<http://www.404manual.com>

<http://www.luxmanual.com>

<http://aubethermostatmanual.com>

Golf course search by state

<http://golfingnear.com>

Email search by domain

<http://emailbydomain.com>

Auto manuals search

<http://auto.somanuals.com>

TV manuals search

<http://tv.somanuals.com>