

FACTORY JACKETED AND INSULATED STORAGE TANKS

These A. O. Smith storage tanks are designed for storing potable water. Fitting locations are designed to meet the needs of normal installations plus those for the A. O. Smith Cer-Temp 80® and Shure-Temp piping methods.

FEATURES

MEETS ASHRAE/IESNA 90.1-2004.

A. O. Smith storage tanks are ideal for use with gas-fired copper heat exchanger equipment for storage of any potable water at temperatures up to 180°F.

GLASS-LINED TANK - Alkaline borosilicate composition permanently fused to steel by firing at a temperature of 1600°F, providing years of corrosion protection and dependable use.

HEAVY GAUGE STEEL JACKET - With baked enamel finish.

THREADED OPENINGS - All tanks furnished with threaded openings for thermometer, relief valve, 2" recirculation lines, tankstat, and drain valve.

5 YEAR WARRANTY

If the tank should leak any time during the first 5 years, under the terms of the warranty, A. O. Smith will repair or replace the tank. Installation, labor, handling and local delivery are extra. For complete information, consult the written warranty or contact A. O. Smith.

TJ-80S, TJ-80A, TJV-120M and TJV-120A

- Fits through 30" door
- Magnesium anode for anti-corrosion protection

TJ-80A • 80 gallons • exceeds ASHRAE requirements • saves fuel, helps reduce standby heat loss • 160 psi ASME standard working pressure.

TJV-120A • 119 gallons • exceeds ASHRAE requirements • saves fuel, helps reduce standby heat loss • 160 psi ASME standard working pressure.

TJ-80S • 80 gallons • exceeds ASHRAE requirements • 150 psi working pressure.

TJV-120M • 119 gallons • exceeds ASHRAE requirements • 150 psi working pressure.

OPTIONS

Perfectly balanced manifold kits (120 gallon models) allow installation where 240 to 480 gallons of stored water is required.

TJV-200-M - 175 GALLONS

- 150 psi ASME working pressure
- 2" foam insulation
- Handhole cleanout (Standard)
- Fits through 33" door
- Storage is downsized to 175 gallons for a 32" x 77" envelope for space restrictive installations. Model TJV-200 is available with 200 gallons of storage
- Magnesium anodes for extra corrosion protection.

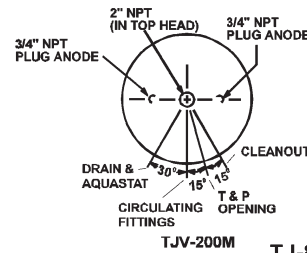
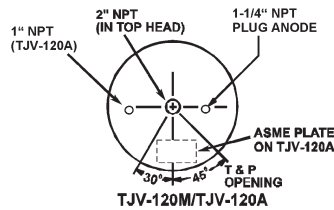
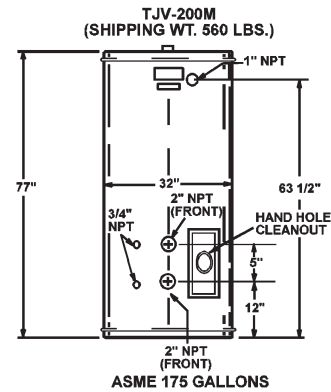
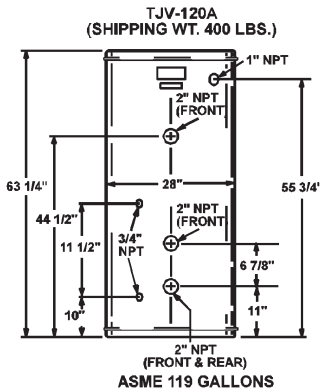
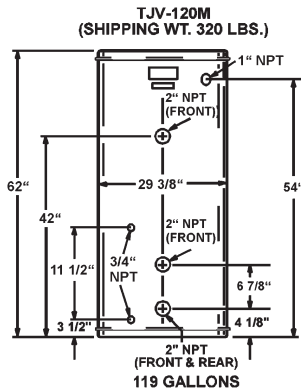
MODELS TJ-80S, TJ-80A TJV-120A, TJV-120M & TJV-200M



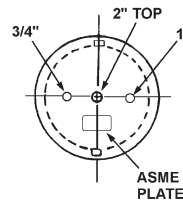
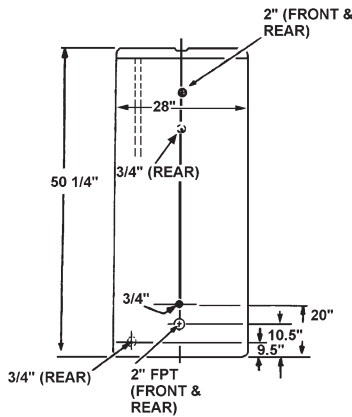
120 Gallon Model



ASME
(FOR SELECT MODELS)

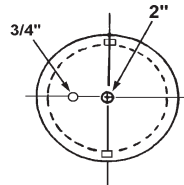
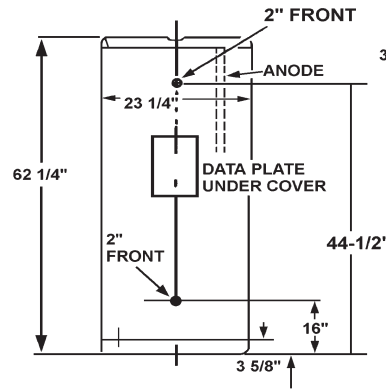


TJ-80A



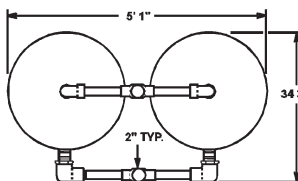
Insulated Jacket

TJ-80S

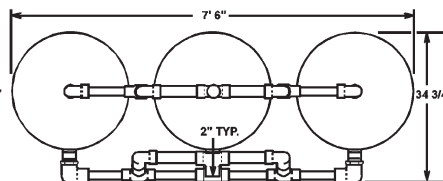


Insulated Jacket

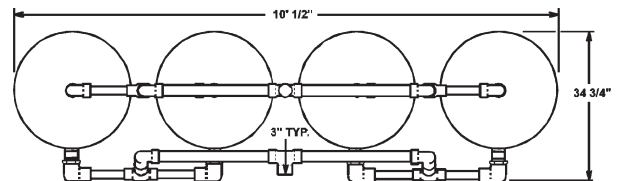
FLOOR SPACE REQUIREMENTS



(2) TANK MANIFOLD KIT #9004340205
120 GALLON MODELS



(3) TANK MANIFOLD KIT #9004341205
120 GALLON MODELS



(4) TANK MANIFOLD KIT #9004342205
120 GALLON MODELS

SUGGESTED SPECIFICATION

Storage tank shall be A. O. SMITH glass-lined storage tank. Tank shall be _____" x _____" and have a nominal capacity of ____ gallons. Tank(s) shall have threaded openings as shown on drawings. Interior of tank(s) shall be glasslined with an alkaline borosilicate composition which has been fused to the steel by firing at a temperature of 1600°F. Glass coating shall be continuous over the entire inner surface of the tank. Outer jacket shall have a baked enamel finish. Foam insulation to meet or exceed ASHRAE 90.1-2004 efficiency requirements. Cathodic protection shall be provided. Tank shall have a working pressure of ____ psi. Tank shall have a five year limited warranty as outlined in the written warranty.

Free Manuals Download Website

<http://myh66.com>

<http://usermanuals.us>

<http://www.somanuals.com>

<http://www.4manuals.cc>

<http://www.manual-lib.com>

<http://www.404manual.com>

<http://www.luxmanual.com>

<http://aubethermostatmanual.com>

Golf course search by state

<http://golfingnear.com>

Email search by domain

<http://emailbydomain.com>

Auto manuals search

<http://auto.somanuals.com>

TV manuals search

<http://tv.somanuals.com>