

# Service Manual

LCD 显示器维修手册

---

**Custom:**

**AOC**

**Model:**

**e941Series**

---



The manual adaptation models:  
**AOC e941VA /e941SA /e941S**

REVISION LIST

Version	Release Date	Revision History	Model	TPV Model No
A00	May-30-2010	Initial Release	e941VA	T995NTNBWVK2PNJ
			e941SA	T995NSNCWVA1UNJ
			e941S	T992NSN8WVA1NNJ
A01	Aug.-26-2010	Add new Models	e941S	T9A2NS2DWVA4QNE
				T9A5NS2DWVA4QNE

## CONTENTS

<b>1. LCD Specifications</b> .....	<b>4</b>
1.1 Product Features .....	4
1.2 Factory Preset Timing .....	5
<b>2. Operation Instruction</b> .....	<b>6</b>
2.1 Control Button .....	6
2.2 OSD Menu Adjusting .....	7
2.3 OSD Lock Function .....	7
<b>3. Interface description</b> .....	<b>8</b>
3.1 VGA interface .....	8
3.2 DVI interface .....	8
3.2 USB+Audio in port .....	9
<b>4. Panel Feature</b> .....	<b>10</b>
4.1 General Specifications .....	10
4.2 Electrical Absolute Ratings .....	10
4.3 Electrical Characteristics .....	10
4.4 LCD Module Block Diagram .....	11
4.5 LCD module input terminal pin assignment .....	11
4.6 LED Connector .....	12
4.7 Optical Specifications .....	12
<b>5. Block diagram</b> .....	<b>13</b>
5.1 LCD Block diagram .....	13
5.2 Main board 1、2 Block diagram .....	13
5.3 Power board Block diagram .....	14
5.4 LCD software flow chart .....	15
<b>6. Circuit Schematic</b> .....	<b>16</b>
6.1 Main board 1 .....	16
6.2 Main board 2 .....	22
6.3 Power board .....	27
6.4 Converter board .....	28
6.5 Audio part .....	29
6.6 Key board .....	30
<b>7. Monitor exploded view</b> .....	<b>31</b>
<b>8. PCB Layout</b> .....	<b>34</b>
8.1 Main board 1、2 .....	34
8.2 Power board .....	38
8.3 Key board .....	39
<b>9. Maintainability</b> .....	<b>40</b>
9.1 Maintainability Requirement .....	40
9.2 Trouble Shooting .....	40
9.3 Factory mode OSD .....	44
9.4 DDC re-wirting step .....	45
<b>10. BOM List</b> .....	<b>48</b>
10.1 e941VA-T995NTNBWVK2PNJ BOM .....	48
10.2 e941SA-T995NSNCWVA1UNJ BOM .....	61
10.3 e941S-- T9A2NS2DWVA4QNE BOM .....	73

## 1. LCD Specifications

### 1.1 Product Features

Monitor	Model	AOC e941VA / e941SA * / e941S *
LCD Panel	Driving system	TFT Color LCD
	Active Display Area	408.24mm (W)×255.15mm(H)
	Pixel Pitch	0.2835 mm×0.2835mm
Input	Video	R,G,B Analog Interface, 75ohm,0.7V
		DVI digital Interface
	Separate Sync.	H/V TTL
	H-Frequency	30kHz—81kHz
	V-Frequency	56Hz--75Hz
Input Connector		D-Sub 15pin
		DVI 24pin
USB HUB		1 upstream, 1 downstream 2.0
Audio in		3.5mm
Display Colors		16.7M Colors
Dot Clock		136.75MHz
Max. Resolution		1440 x 900@75Hz
Plug & Play		VESA DDC2B DDC/CI
Power Consumption	ON Mode	<25W
	Power Saving Mode	<1W
	Switch OFF	<0.5W
Power Source		90~264VAC,47~63Hz, 1.5A Max supply current
Environmental Considerations		Operating Temp: 0° to 40°C Storage Temp.: -20° to 60°C Operating Humidity : 8% to 80%
Dimensions(including stand)		456.75(W)×375.5(H)×149.8 (D)mm
Weight (N. W.):		3.50kg
Safety		FCC B CE mark CCC IEC950CB etc.

\* e941SA /e941S no DVI Interface

**1.2 Factory preset modes**

<b>STANDARD</b>	<b>RESOLUTION</b>	<b>HORIZONTAL FREQUENCY</b>	<b>VERTICAL FREQUENCY</b>
VGA	640×480	31.469kHz	59.94Hz
	640×350	37.861kHz	72.80Hz
	640 × 480	37.50kHz	75.00Hz
DOS-mode	640 × 480	31.469kHz	70.087Hz
	720 × 400	31.469kHz	70.087Hz
Mac-mode	832 ×624	49.725kHz	74.50Hz
SVGA	800 × 600	35.16kHz	56.25Hz
	800 × 600	37.879kHz	60.317Hz
	800 × 600	48.07kHz	72.188Hz
	800 × 600	46.875kHz	75Hz
XGA	1024 × 768	48.363kHz	60Hz
	1024 × 768	56.476kHz	70Hz
	1024 × 768	60kHz	75Hz
	1280 × 720	45kHz	60KHz
SXGA	1280 × 1024	63.981kHz	60Hz
	1280 × 1024	79.976kHz	75Hz
WXGA	1440 × 900	55.93kHz	60Hz
	1440 × 900	70.635kHz	75Hz

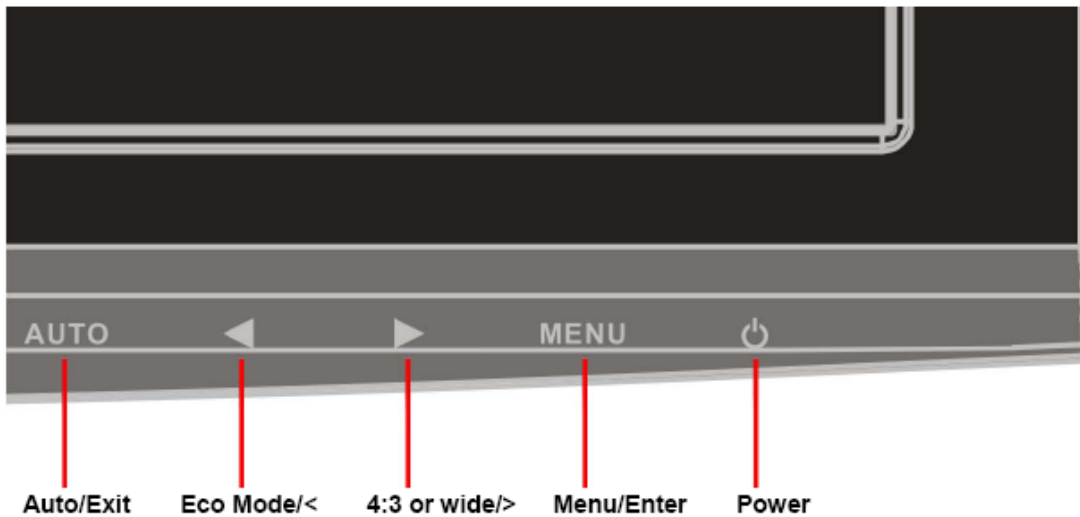
## 2. Operation instruction

### Generalization

Press the power button to turn the monitor on or off. The other control buttons are located at front panel of the monitor. By changing these settings, the picture can be adjusted to your personal preferences.

- The power cord should be connected.
- Connect the video cable from the video card of PC to the monitor.
- Press the power button to turn on the monitor, the power indicator will light up.

### 2.1 Control Buttons



	Control	Description
1	Power Button	To turn ON/OFF the moniteor, and power indicator (Green/Blue and Amber/Orange).
2	Menu / Enter	Active main menu while no OSD display,enter next level on main menu or sub menu status, or enter last level on adjustment bar.. Hotkey ,exit
3	Volume / + 4:3 or wide/ +	Hotkey,Audio volume adjust for VA ,or chang 4:3 or wide image ratio for SA . OSD, increase current value of bar, or move to next item of menu
4	ECO mode(DCR)/ -	If there is no OSD,select the ECO mode of brightness and DCR. OSD, it will decrease current value of bar, or it will move to last item of menu.
5	Auto / Exit	If there is no any OSD, select video source(DVI/RGB). Press hold to 2s , it is auto configuration. Exit current OSD and return to last level.

## 2.2 OSD User mode adjustment

### a) OSD Menu adjustment steps:

1. Press MENU button to display OSD main menu of as below, Press Left button or Right button may select other main Menu.
2. Press MENU button to adjust items of each main menu.
3. Press Left button or Right button may select item you wish to enter.
4. Press MENU button to enter, and press Left button or Right button to adjust item you select.
5. Press EXIT button may back previous menu.
6. Repeat steps 2-5 to adjust an additional item, or select the EXIT button to return to previous menu.

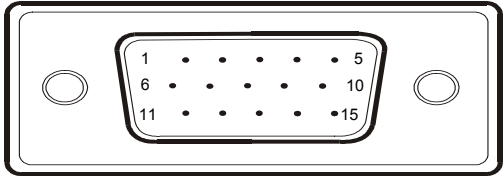


## 2.3 OSD Lock Function

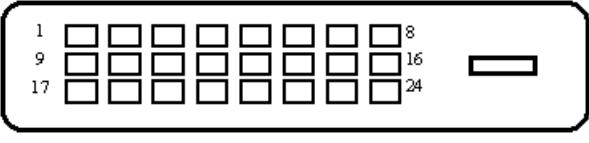
Press "menu" and hold, with turn on "Power", the OSD menu is locked. Again, the OSD menu is non-locked. For the OSD menu function, please refer to "user manual".

### 3.Interface description

#### 3.1 VGA 15pin Connector

Pin No.	Description	Pin No.	Description
1.	Red Input	9.	+5VDC
2.	Green Input	10.	Logic GND
3.	Blue Input	11.	N/A
4.	N/A	12.	SDA- DDC-Serial Data
5.	Connection detect	13.	H Sync
6.	Red GND	14.	V Sync
7.	Green GND	15.	SCL- DDC-Serial Clock
8.	Blue GND		
VGA Connector layout			

#### 3.2 DVI Connector

Pin No.	Description	Pin No.	Description
1.	TMDS Data 2-	13.	TMDS Data 3+
2.	TMDS Data 2+	14.	+5V Power
3.	TMDS Data 2/4 Shied	15.	Ground (for +5V)
4.	TMDS Data 4-	16.	Hot Plug Detect
5.	TMDS Data 4+	17.	TMDS Data 0+
6.	DDC Clock	18.	TMDS Data 0-
7.	DDC Data	19.	TMDS Data 0/5 Shield
8.	N.C.	20.	TMDS Data 5-
9.	TMDS Data 1-	21.	TMDS Data 5+
10.	TMDS Data 1+	22.	TMDS Clock Shield
11.	TMDS Data 1/3 Shield	23.	TMDS Clock+
12.	TMDS Data 3-	24.	TMDS Clock-
DVI Connector layout			



### 3.3 USB+ Audio in port

Bottom View



Top View



\*This section to e941VA do show that other models will be a slight trade-off.

## 4. Panel Feature

The Panel-TPM190A1-MWW3 is a 19 inch wide TFT-LCD module with LED Backlight unit and a 30-pin 2ch –LVDS interface . This module supports 1400×900 WXGA mode and displays up to 16.7 millions colors.The converter module for the Backlight Unit is not built in.

### 4.1 General Specifications

Item	Specification	Unit
Active Area	408.24 (H) x 255.15 (V)	mm
Bezel Opening Area	412.24 (H) x 259.15 (V)	mm
Driver Element	a-si TFT active matrix	-
Pixel Number	1440 x R.G.B. x 900	pixel
Pixel Pitch	0.2835 (H) x 0.2835 (V)	mm
Pixel Arrangement	RGB vertical stripe	-
Display Colors	16.7M	color
Transmissive Mode	Normally White	-
Color saturation	68%NTSC (Typ.)	-
Surface Treatment	Hard coating (3H), Anti-glare (Haze 25)	-
Module Power Consumption	10.92(Typ.)	Watt

### 4.2 Electrical Absolute Ratings

Item	Symbol	Min	Typ	Max	Unit
Power Supply Voltage	Vcc	-0.3	5	+6	V
LED DC forward current	If	---	25	30	mA
LEDamp Current	IL	2.0		8	mArms
Lamp Frequency	FL	40		80	kHz

### 4.3 Electrical Characteristics

#### a) TFT LCD module

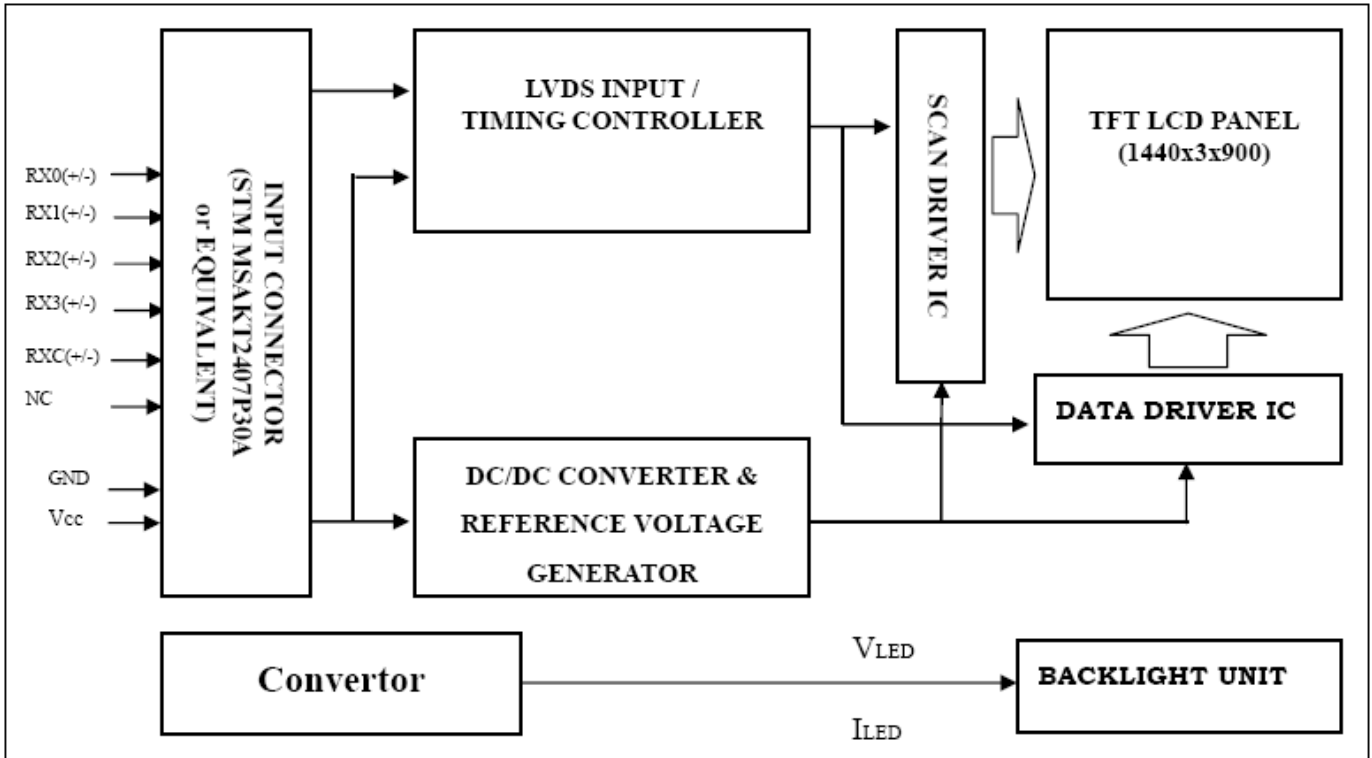
Parameter	Symbol	Value			Unit	Note
		Min.	Typ.	Max.		
Power Supply Voltage	Vcc	4.5	5.0	5.5	V	-
Ripple Voltage	V <sub>RF</sub>	-	-	300	mV	-
Power on Rush Current	I <sub>RUSH</sub>	-	-	3.0	A	(2)
Power Supply Current	White	-	0.37	0.48	A	(3)a
	Black	-	0.6	0.95	A	(3)b
	Vertical Stripe	-	0.63	0.75	A	(3)c
Power consumption	P <sub>lcd</sub>	-	3.0	-	Watt	(4)
LVDS differential input voltage	V <sub>id</sub>	100	-	600	mV	
LVDS common input voltage	V <sub>ic</sub>	1.0	1.2	1.4	V	
Logic High input voltage	V <sub>IH</sub>	2.64	-	-	V	
Logic Low input voltage	V <sub>IL</sub>	-	-	0.66	V	

#### b) Backlight unit (LED matrix is 12S8P)

Parameter	Symbol	Value			Unit	Note
		Min.	Typ.	Max.		
Light Bar Input Voltage	V <sub>LED</sub>	--	39.6	--	V <sub>DC</sub>	(Duty 100%)
Light Bar Input Current	I <sub>LED</sub>	--	25	--	mA <sub>DC</sub>	(Duty 100%) per string
Power Consumption	P <sub>LED</sub>	--	7.92	--	W	(1)
LED Life Time	L <sub>BL</sub>	20000	--	--	Hrs	(2)

$$P_{LED} = I_{LED} \times V_{LED}$$

### 4.4 TFT LCD Module Block Diagram



### 4.5 LCD module input terminal pin assignment

Pin#	Signal Name	Pin#	Signal Name
1	RxOIN0-	2	RxOIN0+
3	RxOIN1-	4	RxOIN1+
5	RxOIN2-	6	RxOIN2+
7	GND	8	RxOCLKIN-
9	RxOCLKIN+	10	RxOIN3-
11	RxOIN3+	12	RxEIN0-
13	RxEIN0+	14	GND
15	RxEIN1-	16	RxEIN1+
17	GND	18	RxEIN2-
19	RxEIN2+	20	RxECLKIN-
21	RxECLKIN+	22	RxEIN3-
23	RxEIN3+	24	GND
25	NC (for test only. Do not connect)	26	NC (for test only. Do not connect)
27	NC (for test only. Do not connect)	28	+5.0V power supply
29	+5.0V power supply	30	+5.0V power supply

**4.6 LED Connector**

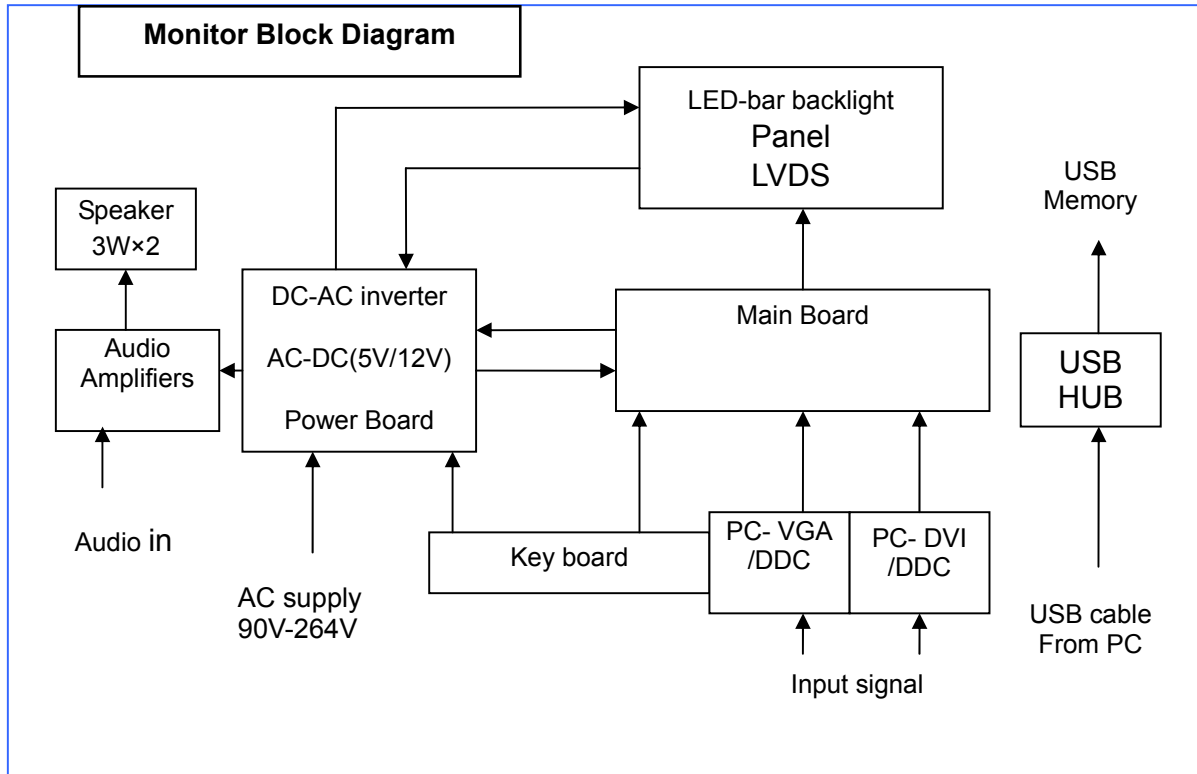
Pin No	Signal name
1	LED1
2	LED2
3	LED3
4	LED4
5	VLED(Voltage in)
6	VLED(Voltage in)
7	LED5
8	LED6
9	LED7
10	LED8

**4.7 Optical Specifications**

Item	Symbol	Condition	Min.	Typ.	Max.	Unit	Note	
Color Chromaticity (CIE 1931)	Red	R <sub>x</sub>	$\theta_x=0^\circ, \theta_y=0^\circ$ CS-1000T R=G=B=255 Grayscale	Typ - 0.05	0.640	Typ + 0.05	(1), (5)	
		R <sub>y</sub>			0.329			
	Green	G <sub>x</sub>			0.283			
		G <sub>y</sub>			0.598			
	Blue	B <sub>x</sub>		0.144				
		B <sub>y</sub>		0.068				
	White	W <sub>x</sub>		Typ - 0.03	0.313	Typ + 0.03		
		W <sub>y</sub>			0.329			
Center Luminance of White (Center of Screen)	L <sub>c</sub>		200	250	---	cd/m <sup>2</sup>	(4), (5)	
Contrast Ratio	CR		750	1000	---	-	(2), (5)	
Response Time	T <sub>R</sub>	$\theta_x=0^\circ, \theta_y=0^\circ$	---	1.5	3.5	ms	(3)	
	T <sub>F</sub>		---	3.5	6.5	ms		
White Variation	$\delta W$	$\theta_x=0^\circ, \theta_y=0^\circ$ USB2000	---	1.33	1.43	-	(5), (6)	
Viewing Angle	Horizontal	$\theta_{x+}$	CR > 10 USB2000	70	80	---	Deg.	(1), (5)
		$\theta_{x-}$		70	80	---		
	Vertical	$\theta_{y+}$		70	80	---		
		$\theta_{y-}$		70	80	---		

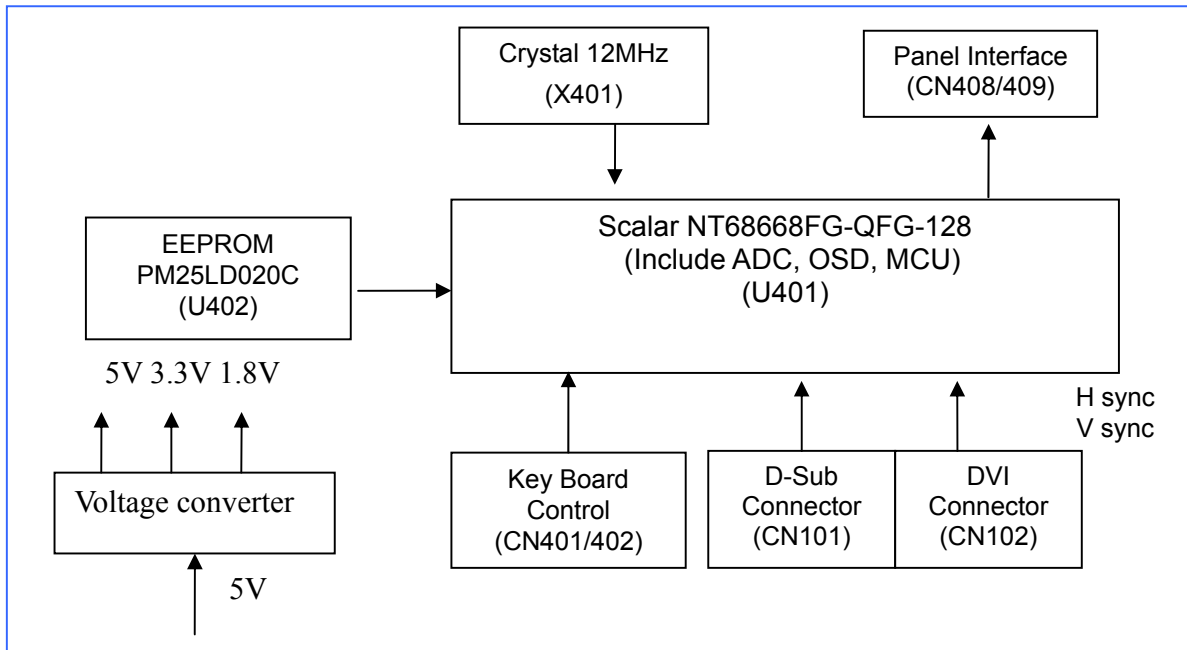
## 5. Block Diagram

### 5.1 LCD Block Diagram

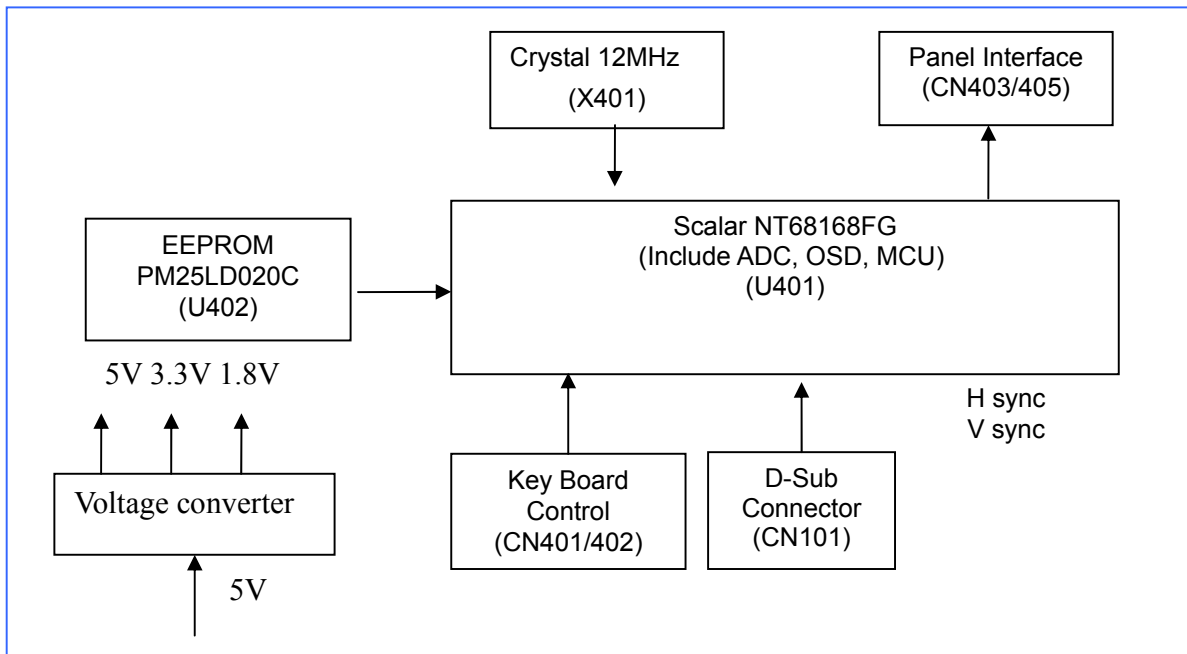


### 5.2 MainBoard Block Diagram

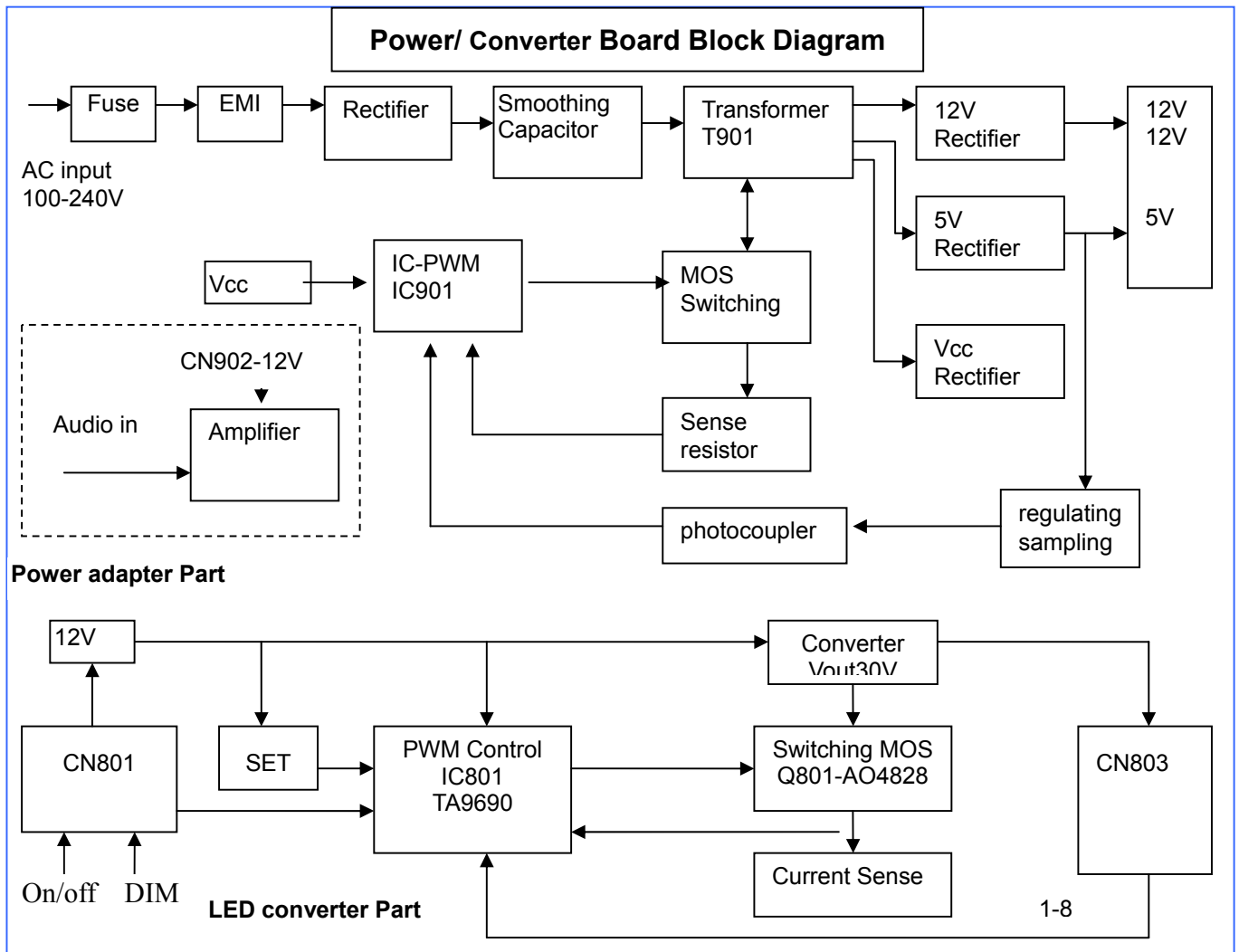
(1)e941VA---715G3737



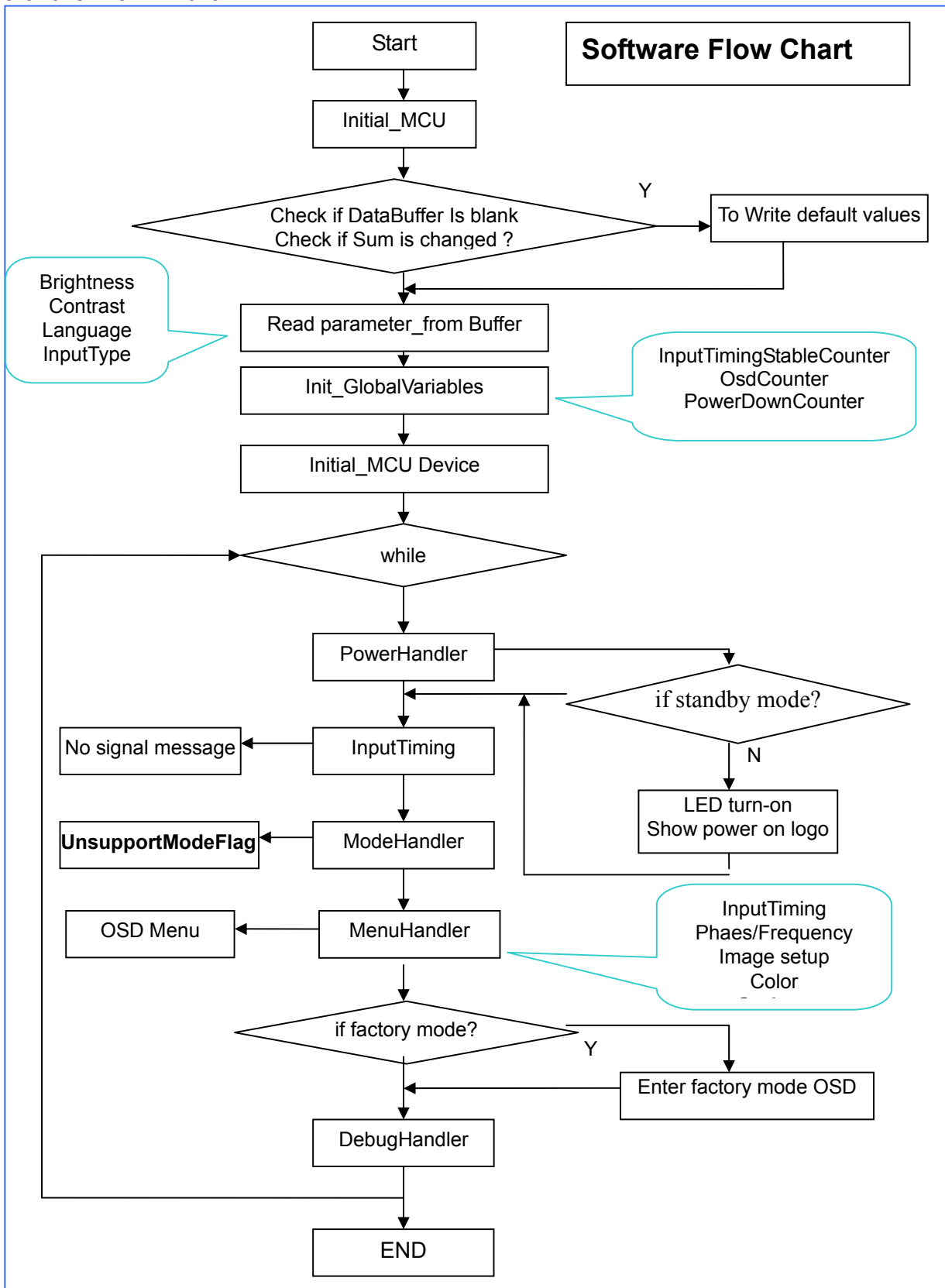
(2)e941SA---715G3225



5.3 Power Board Block Diagram

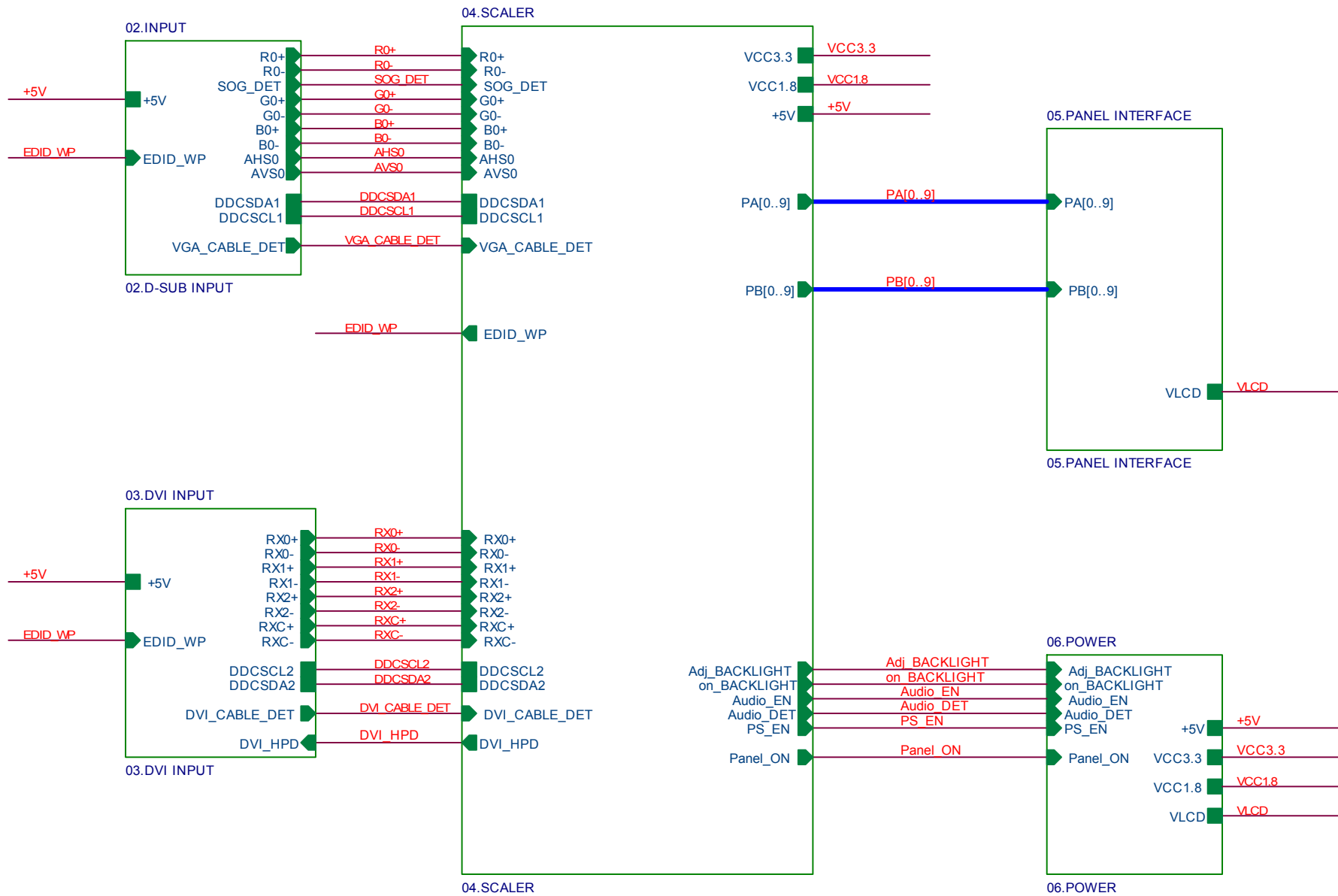


5.4 Software Flow Chart



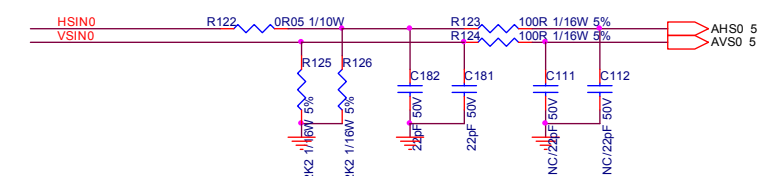
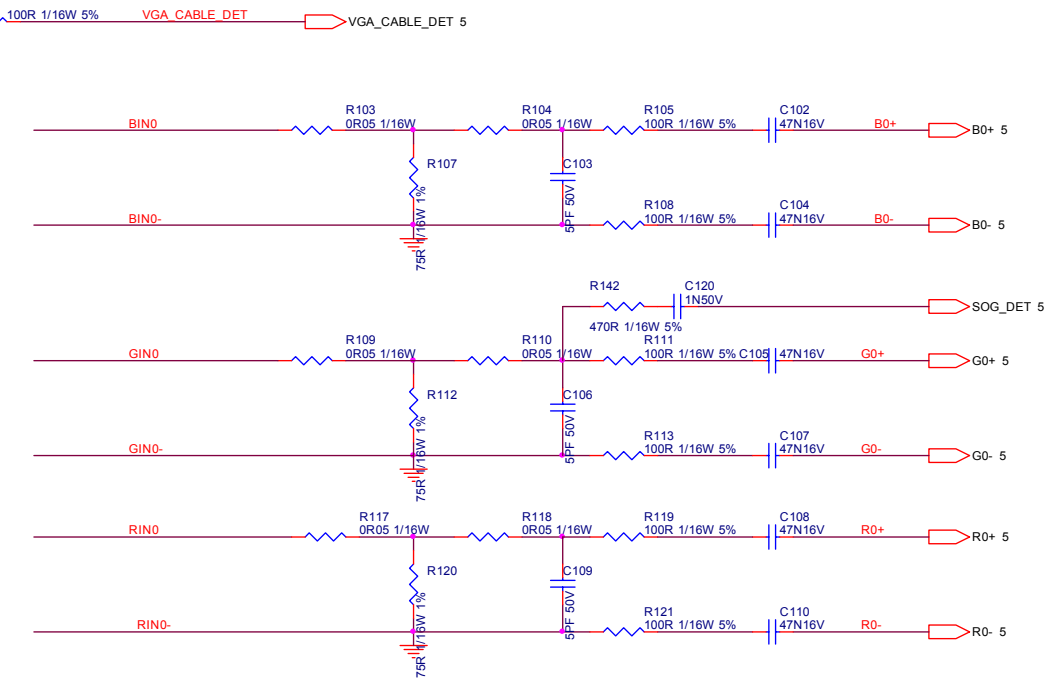
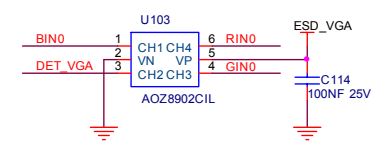
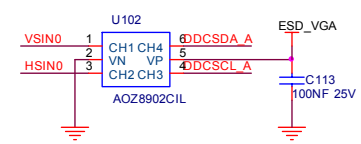
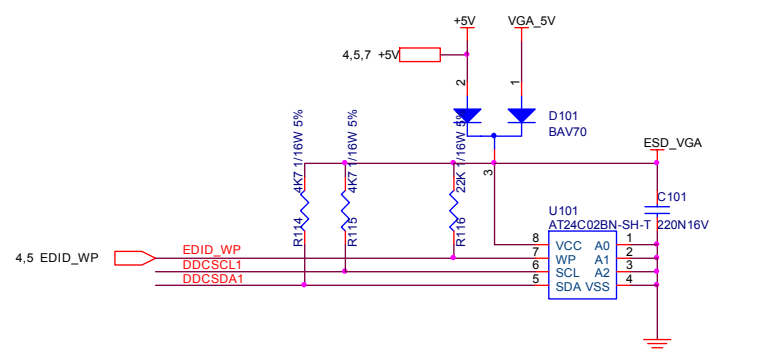
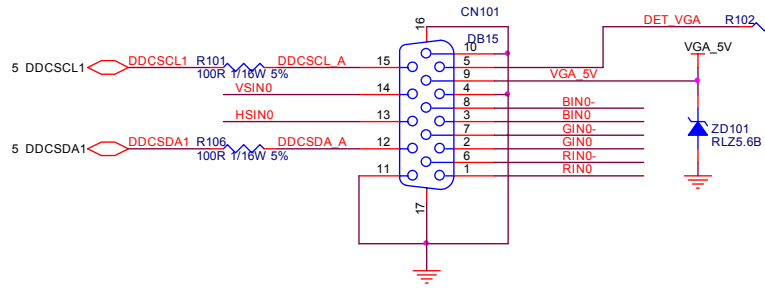
# 6. Circuit Schematic

## 6.1 Main Board 1---715G3737-M01

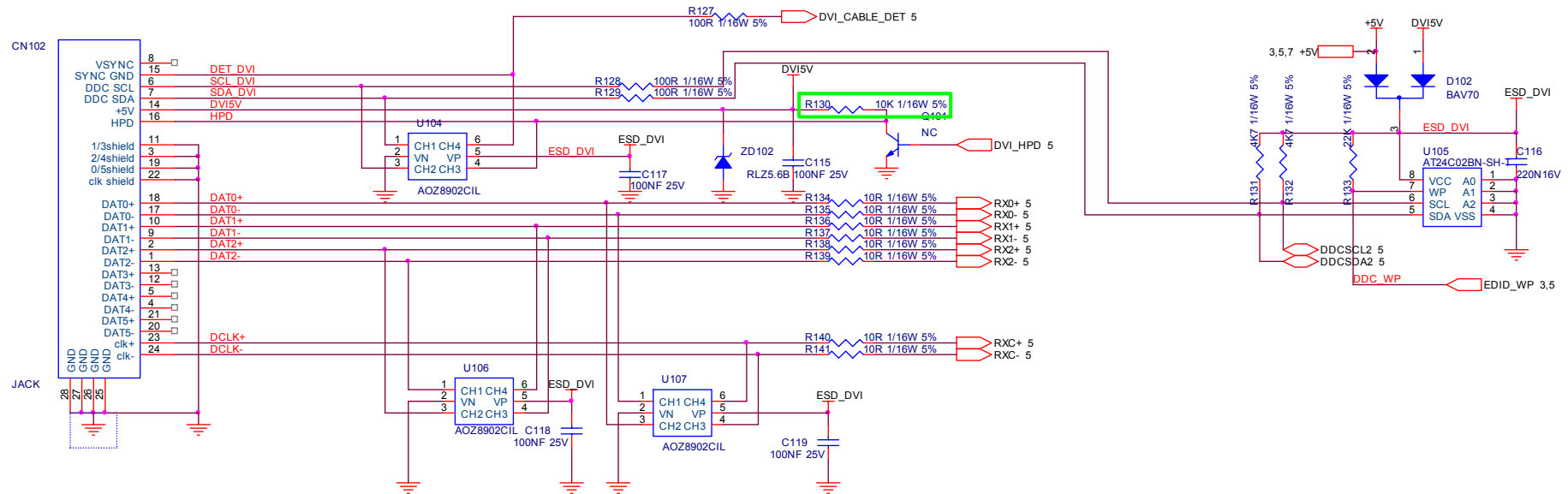


Input part---VGA/DDC

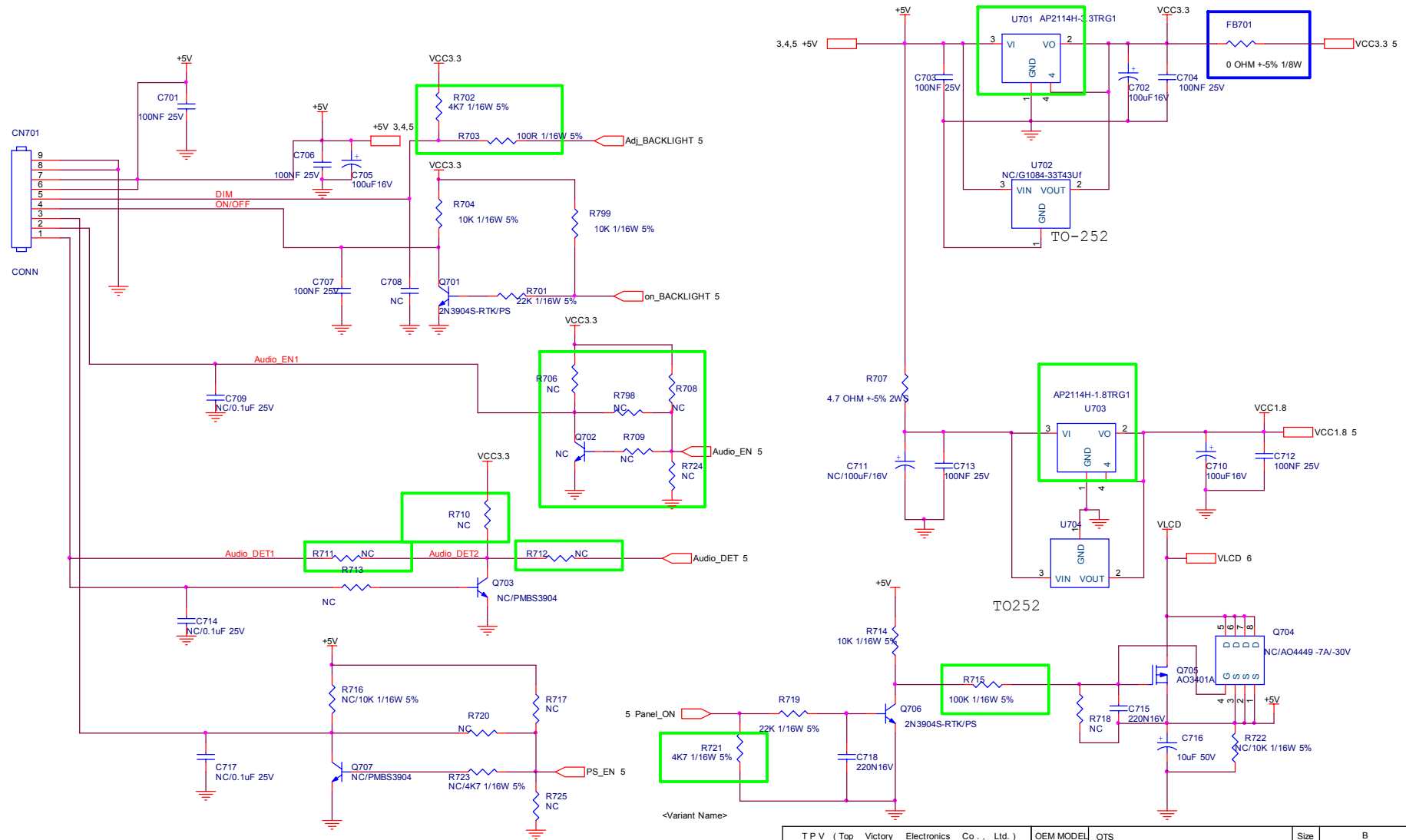




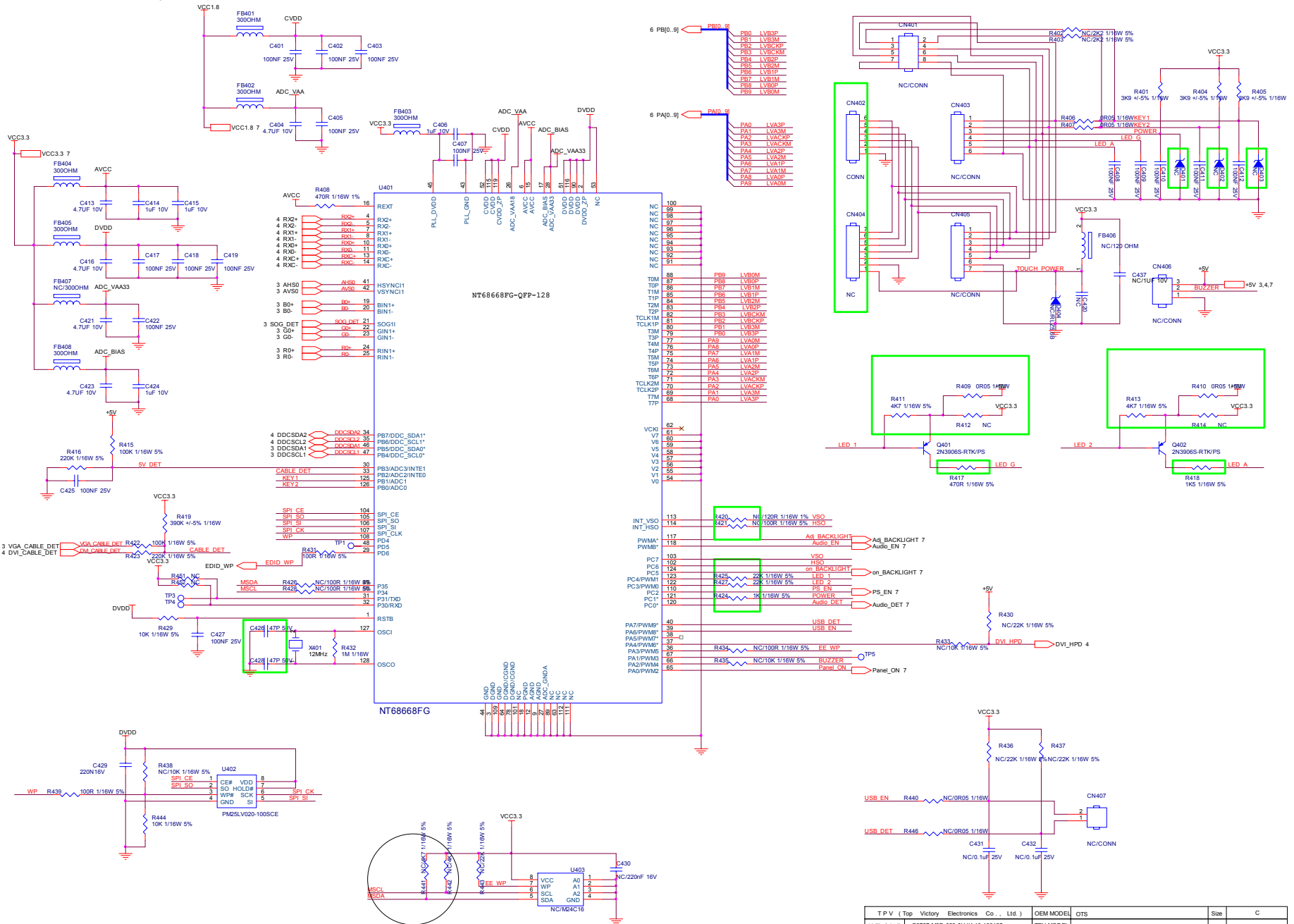
T P V ( Top Victory Electronics Co . , Ltd. )	OEM MODEL	OTS	Size	B
經 隔 瓜 網 膜	G3737-M0D-000-0H4K-10-100125	TPV MODEL	DUAL	Rev
Key Component	D-SUB I/O	PCB NAME	715G3737-M0D	称 多
Date	Monday, January 25, 2010	Sheet	3 of 7	<称 多>



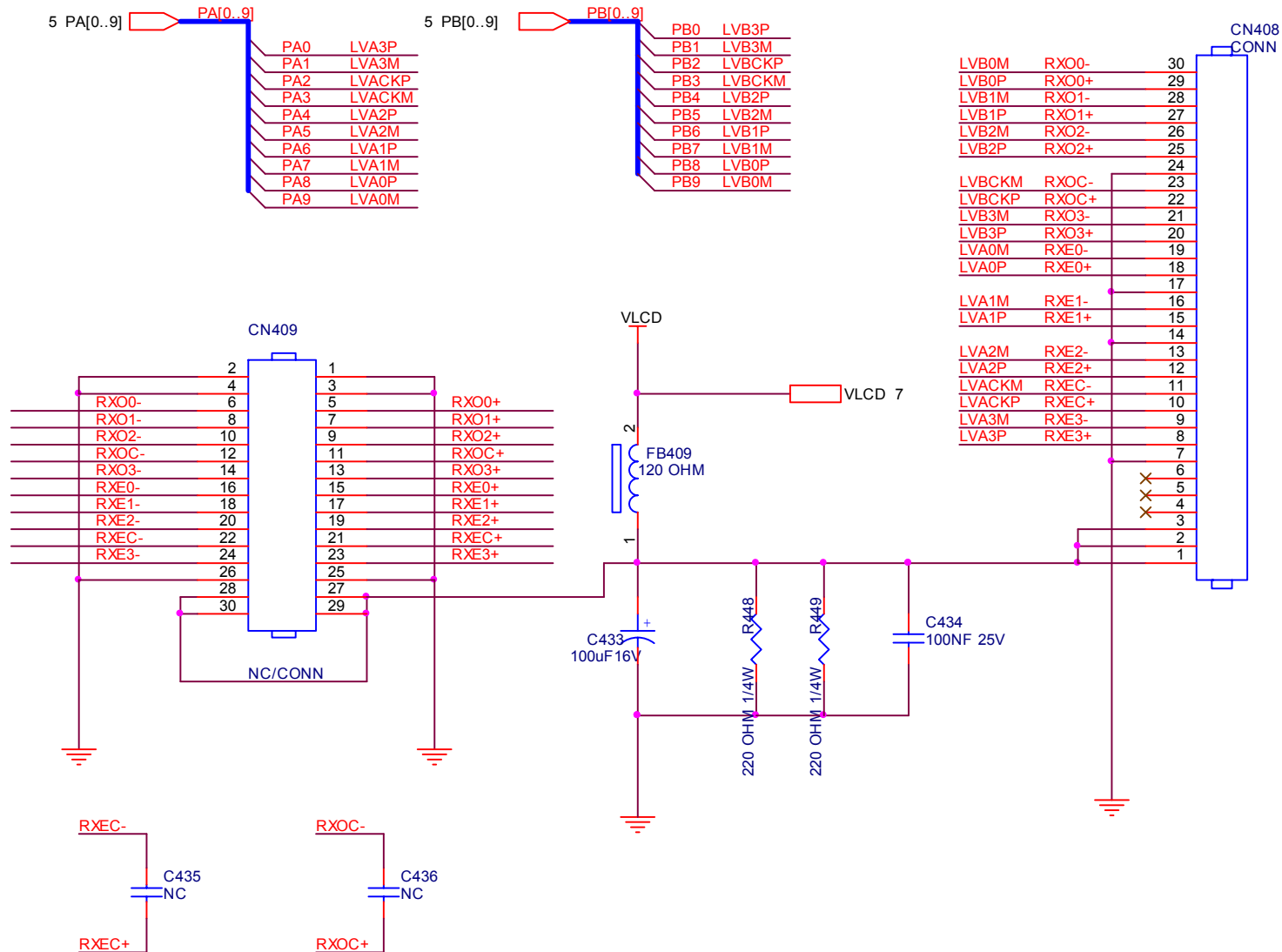
TPV (Top Victory Electronics Co., Ltd.)	OEM MODEL	OTS	Size	B
紙隔瓜網膜	G3737-M0D-000-0H4K-10-100125	TPV MODEL	DUAL	Rev
Key Component	DVI	PCB NAME	715G3737-M0D	修裝
Date	Monday, January 25, 2010	Sheet	4 of 7	<修裝>



TPV (Top Victory Electronics Co., Ltd.)	OEM MODEL	OTS	Size	B
絲隔瓜銀版	G3737-MOD-000-0H4K-10-100125	TPV MODEL	DUAL	Rev
Key Component	POWER	PCB NAME	715G3737-MOD	稱審
Date	Monday, January 25, 2010	Sheet	7 of 7	<稱審>

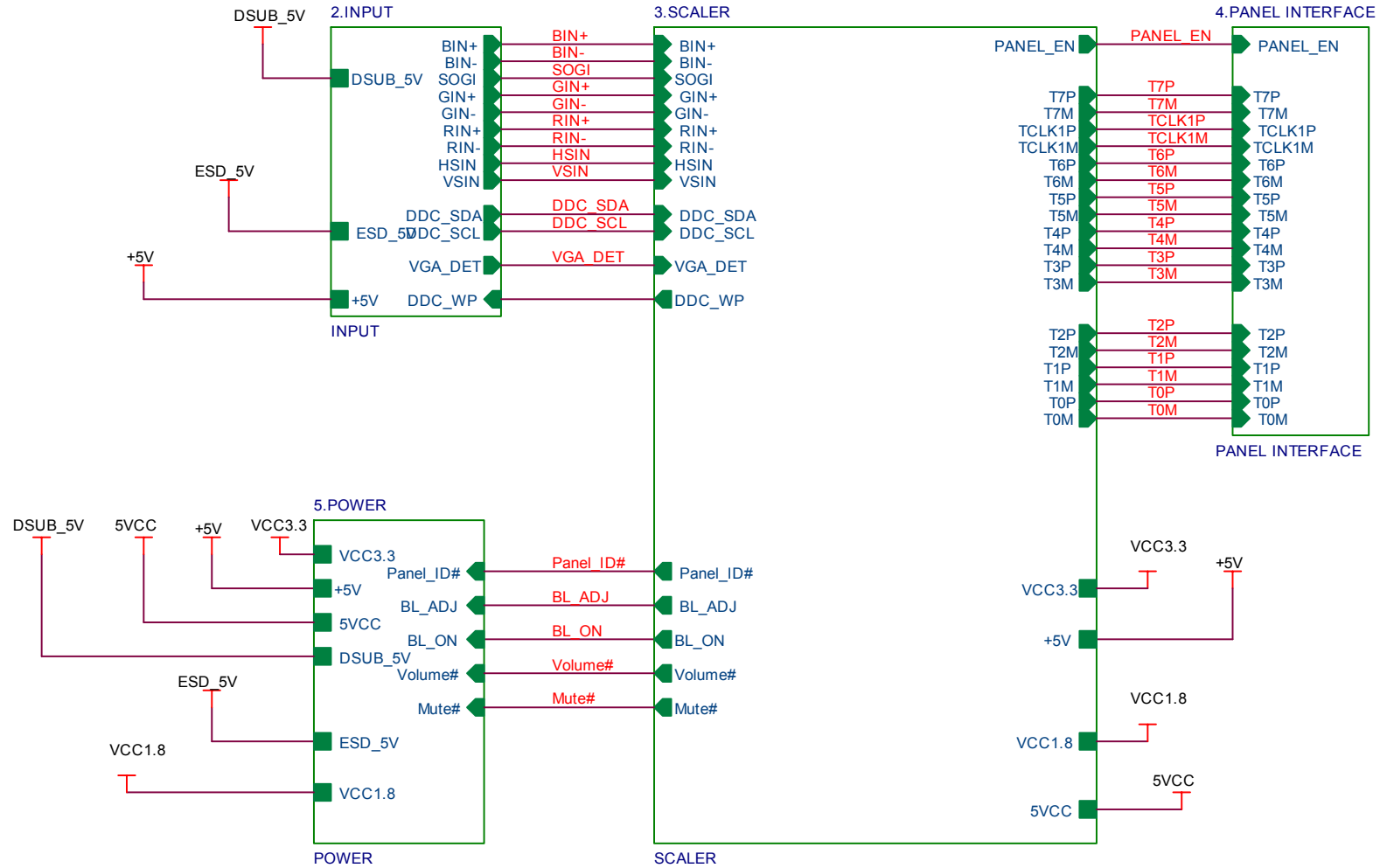


T P V (	Top	Victory	Electronics	Co. . . Ltd.)	OEM MODEL	OTS	Size	C
前 面 后 面	G3737-MOD-000-04K-10-100125	TPV MODEL	DUAL	Rev	D			
Key Component	SCALAR	PCB NAME	715G3737-MOD	Rev				
Date	Tuesday, May 25, 2010	Sheet	5 of 7	Rev				



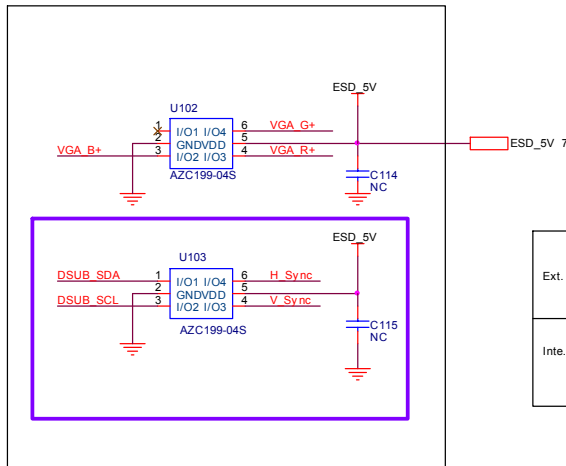
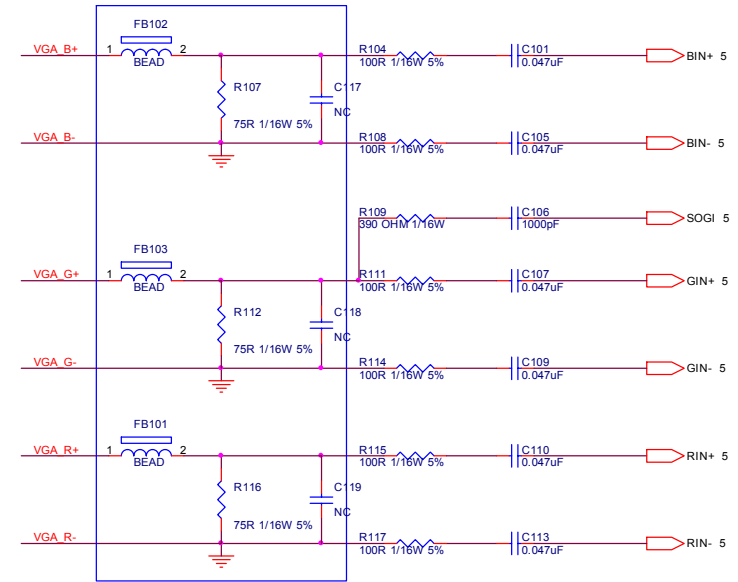
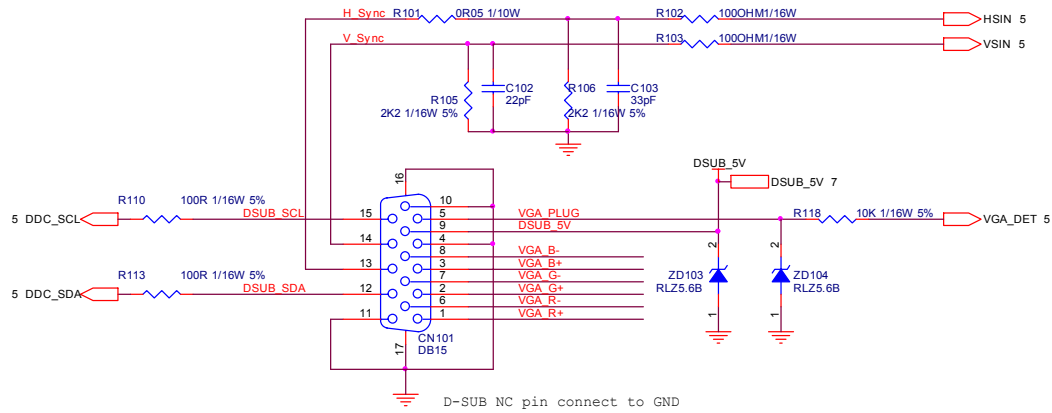
TPV ( Top Victory Electronics Co., Ltd. )	OEM MODEL	OTS	Size	A
紙隔瓜網腹	G3737-M0D-000-0H4K-10-100125	TPV MODEL	Rev	D
Key Component	LVDS PANEL I/O	PCB NAME	称爹	<称爹>
Date	Monday, January 25, 2010	Sheet	6 of 7	

6.2 Main Board 2---715G3225-1-2

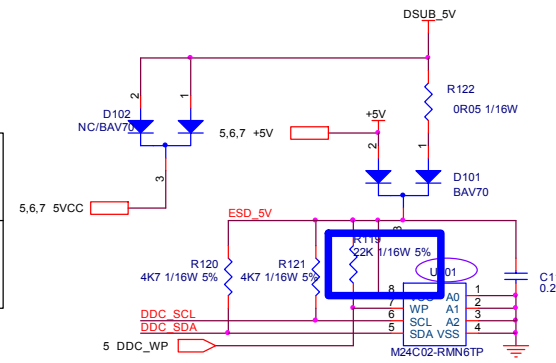


TPV (Top Victory Electronics Co., Ltd.)	OEM MODEL		Size	A
絨隔瓜網腹	G3225-A-2-X-8-090311	TPV MODEL	Rev	E
Key Component	1.0 COVER	PCB NAME	715G3225-1	称爹
Date	Friday, May 21, 2010	Sheet	3 of 7	

R101 0402->0603

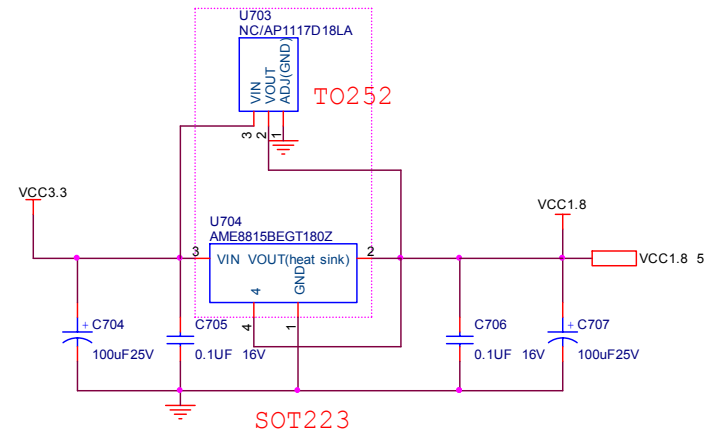
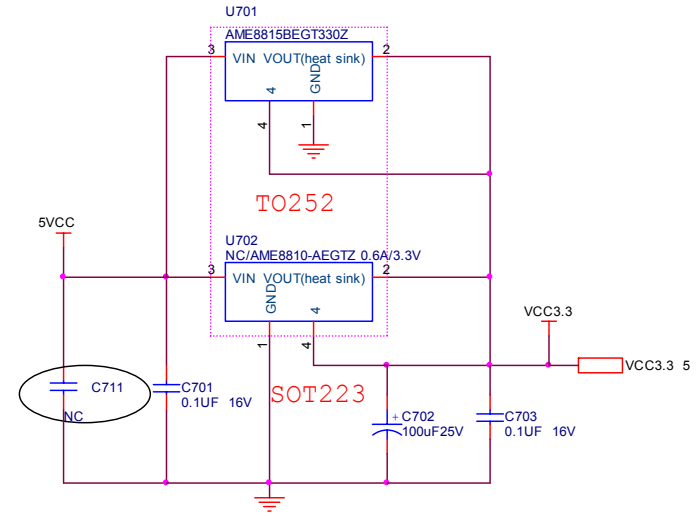
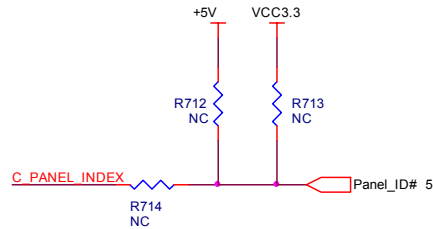
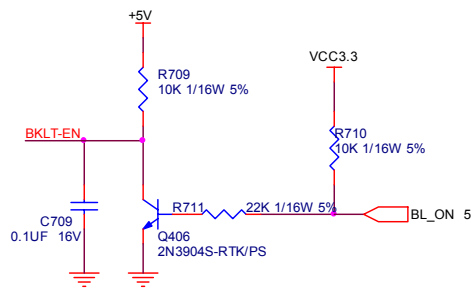
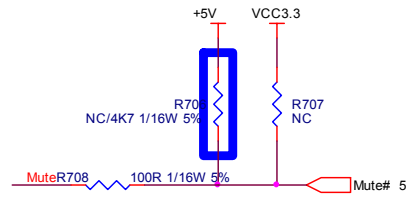
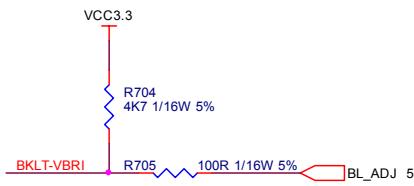
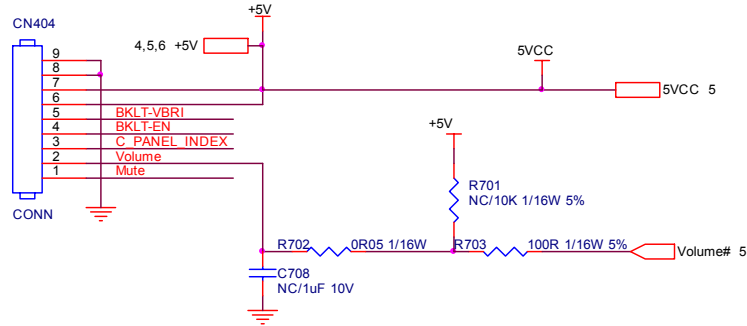


Ext. edid	U101: M24C02-RMN6TP C116: 0.22uf R119: 4.7K D102: NC R122: 0 ohm
Inte. edid	U101: NC C116: NC R119: NC D102: NC(LG), BAV70(the others) R122: NC(LG), 0 ohm(the others)



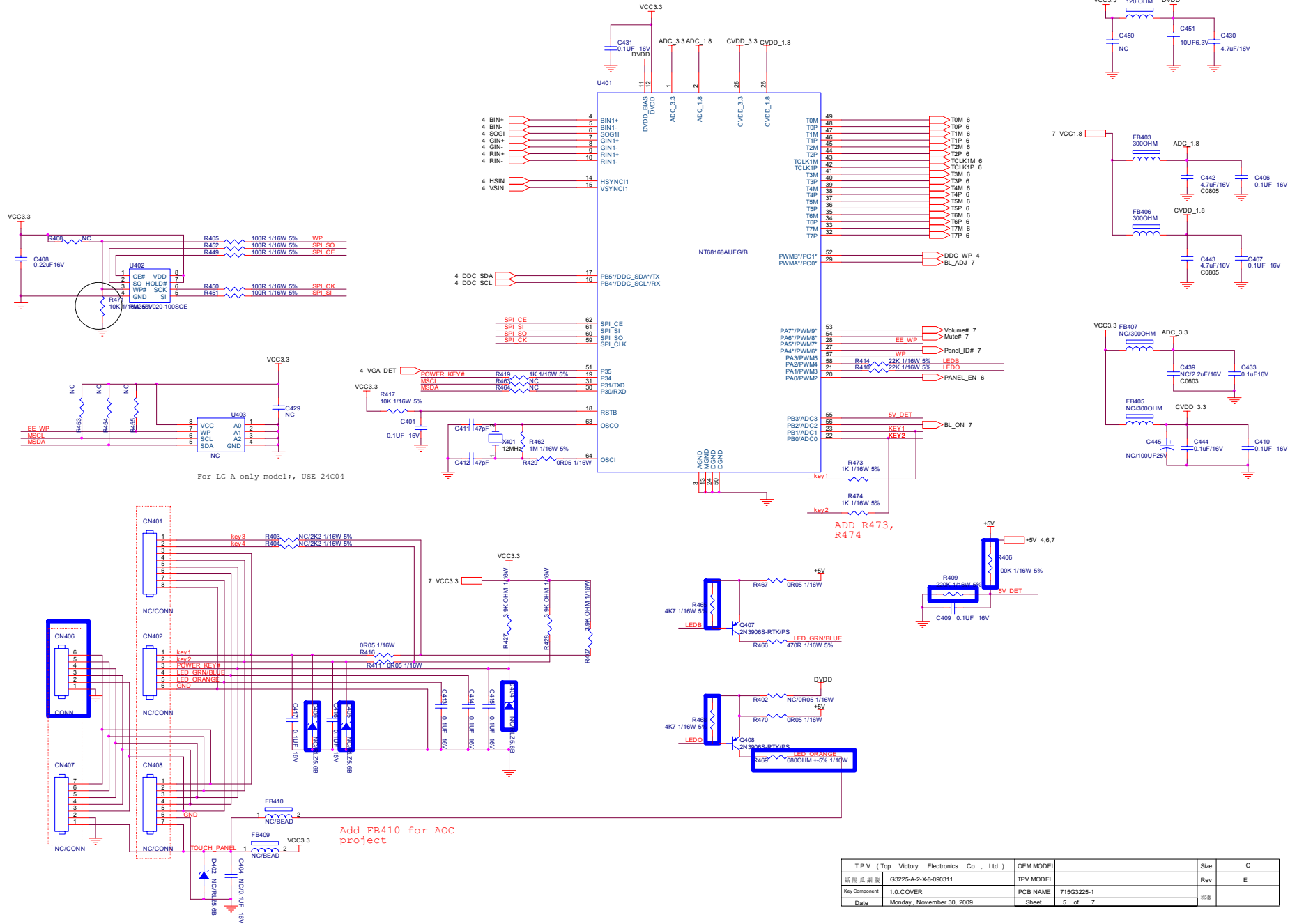
Change net to DDC\_SCL,DDC\_SDA

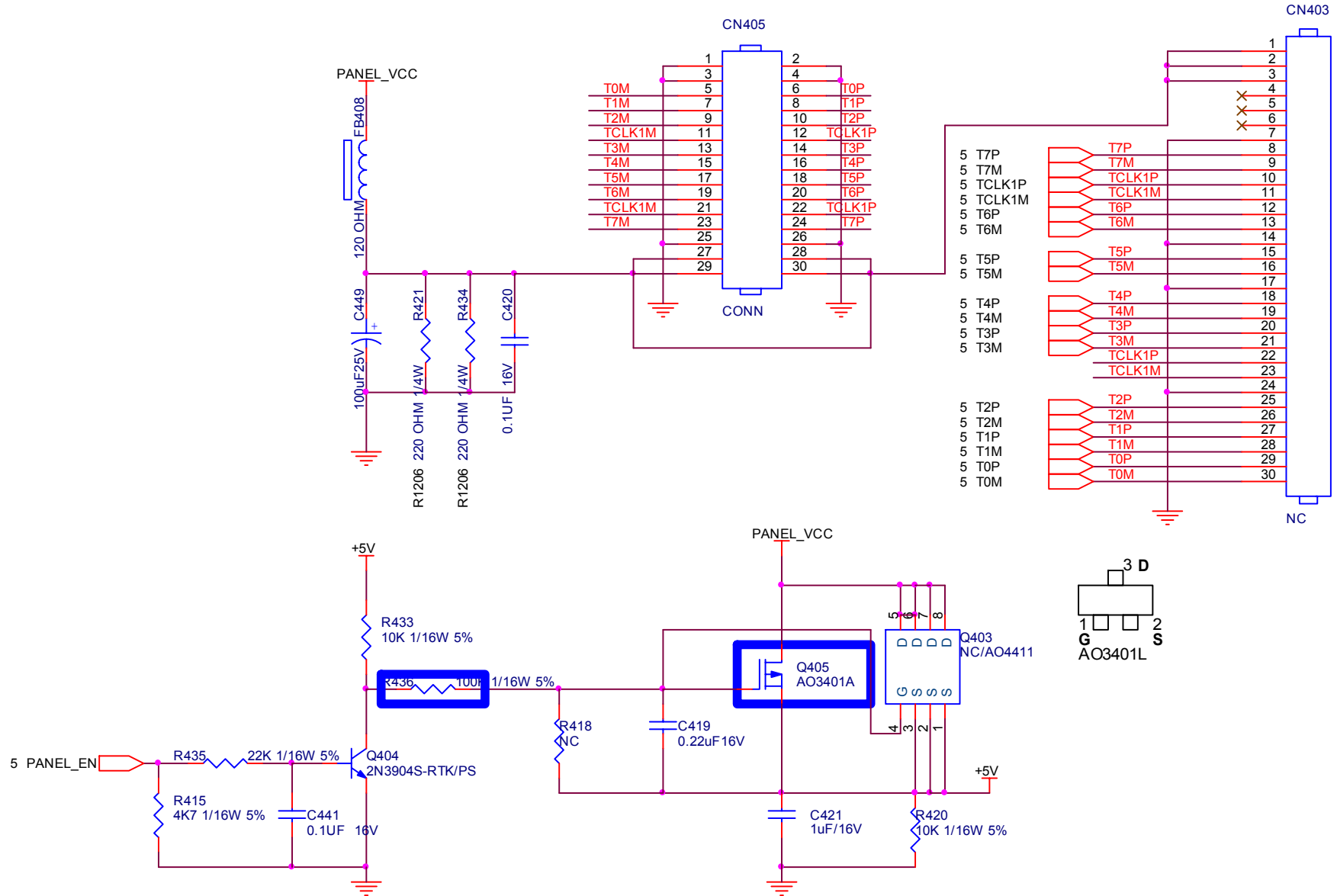
TPV (Top Victory Electronics Co., Ltd.)	OEM MODEL	Viewsonic	Size	B
冠 隔 瓜 網 廠	G3225-A2-X8-090311	TPV MODEL	VA1913	Rev
Key Component	1.0.COVER	PCB NAME	715G3225-1	移 參
Date	Wednesday, December 02, 2009	Sheet	4 of 7	



TPV (Top Victory Electronics Co., Ltd.)	OEM MODEL		Size	B
絲隔瓜網腹	G3225-A-2-X-8-090311	TPV MODEL	Rev	E
Key Component	1.0 COVER	PCB NAME	715G3225-1	
Date	Monday, November 30, 2009	Sheet	7 of 7	称爹

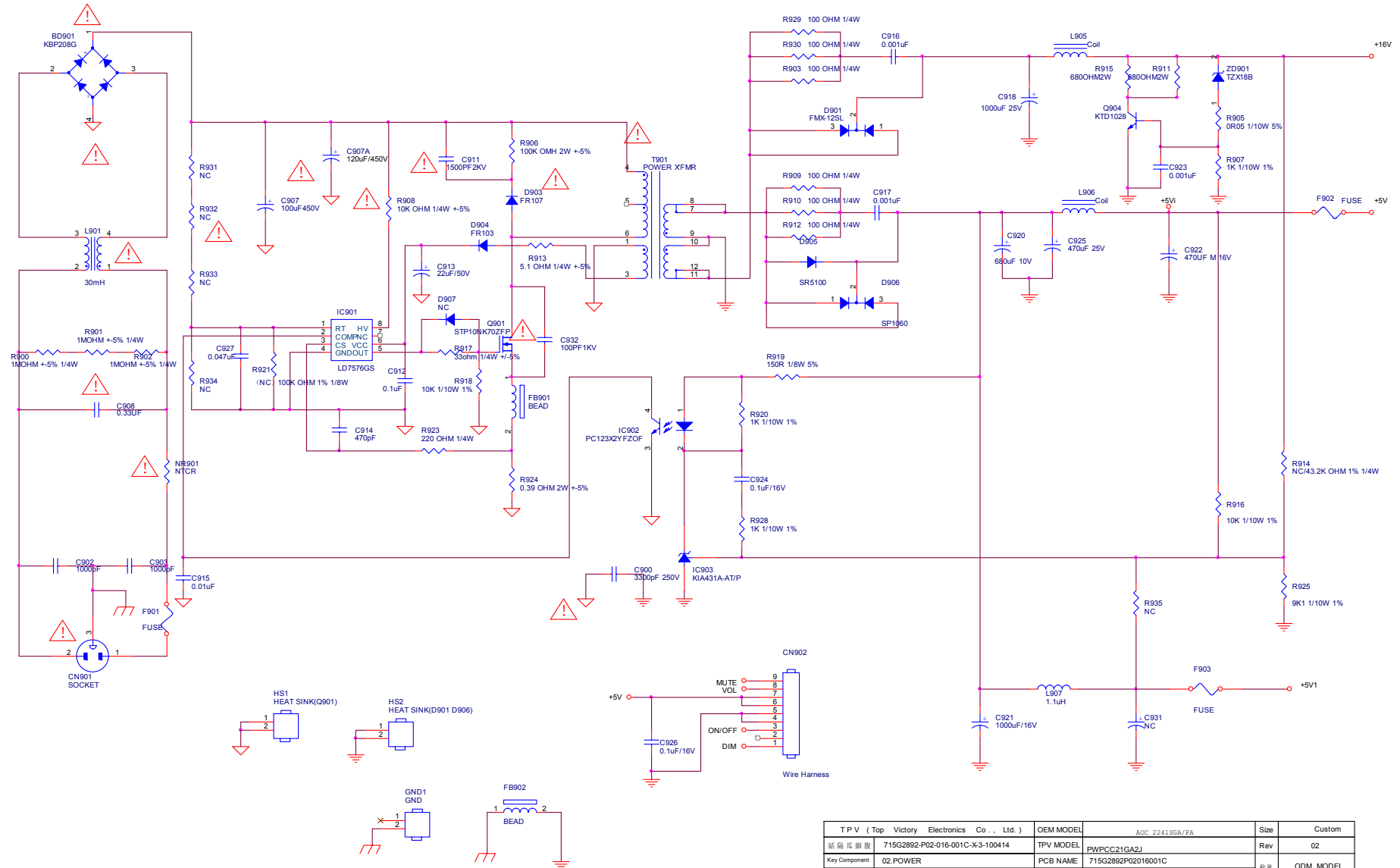






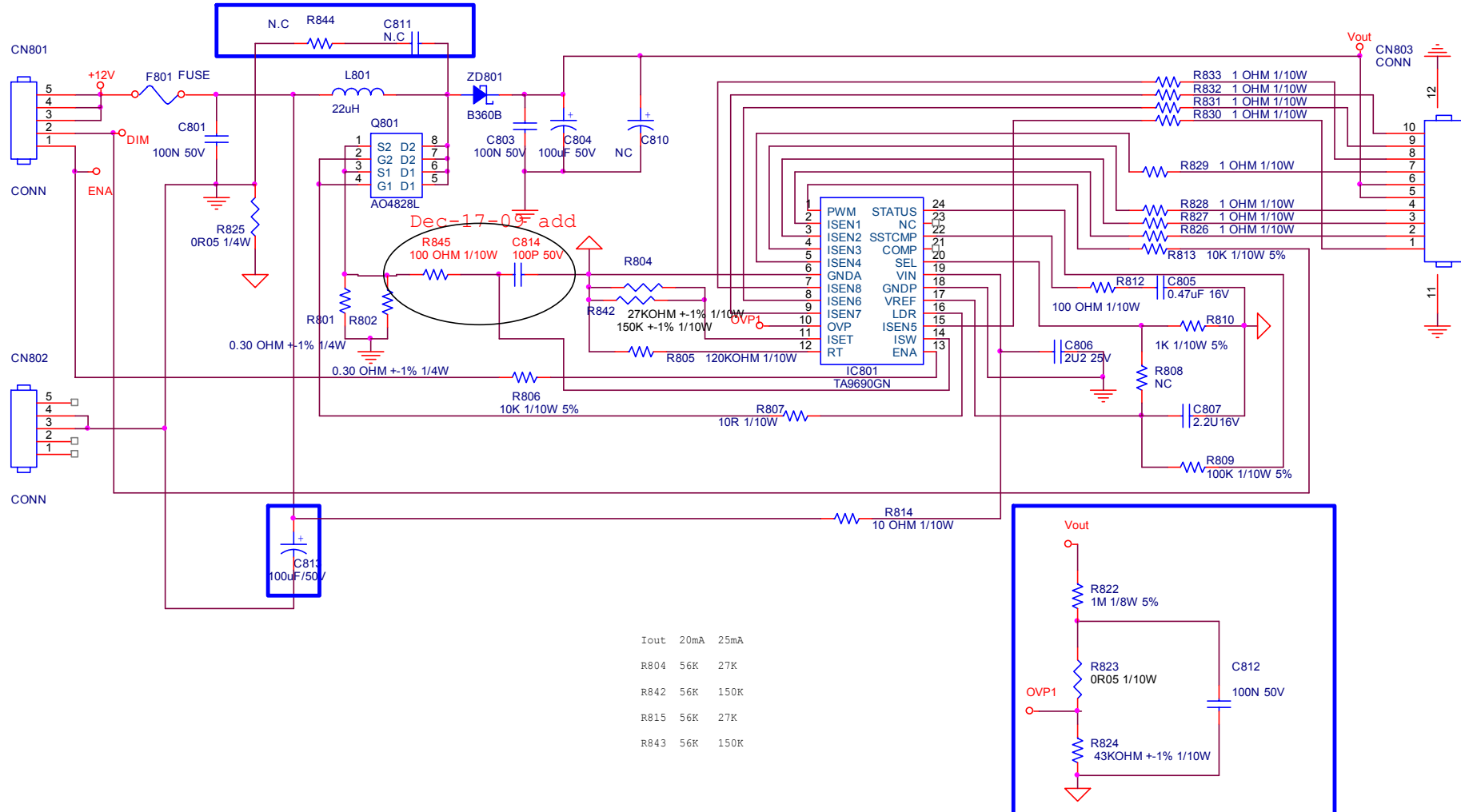
TPV (Top Victory Electronics Co., Ltd.)	OEM MODEL	VSC	Size	A
結隔瓜網腹 G3225-A-2-X-8-090311	TPV MODEL	VA1913	Rev	E
Key Component 1.0.COVER	PCB NAME	715G3225-1	称爹	
Date Tuesday, December 01, 2009	Sheet	6 of 7		

Service Manual  
**6.3 Power Board**  
 715G2892-P02---adapter 12V/5V



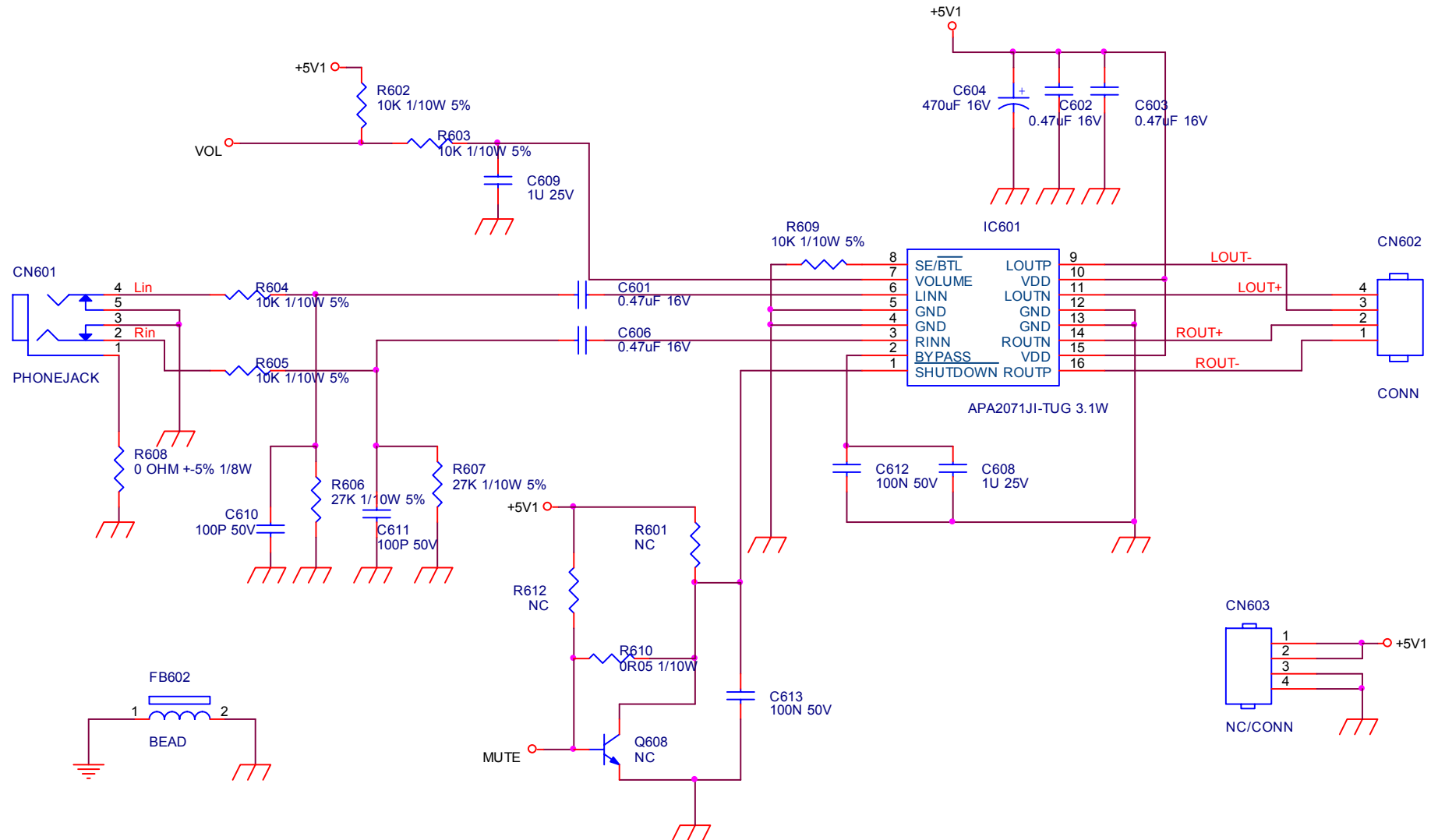
TPV (Top Victory Electronics Co., Ltd.)	OEM MODEL	Size	Custom
规格书编号: 715G2892-P02-016-001C-X3-100414	TPV MODEL: PWPCC21GA2J	Rev: 02	
Key Component: 02.POWER	PCB NAME: 715G2892P02016001C	名称: 电源板	ODM MODEL
Date: Thursday, April 29, 2010	Sheet: of		

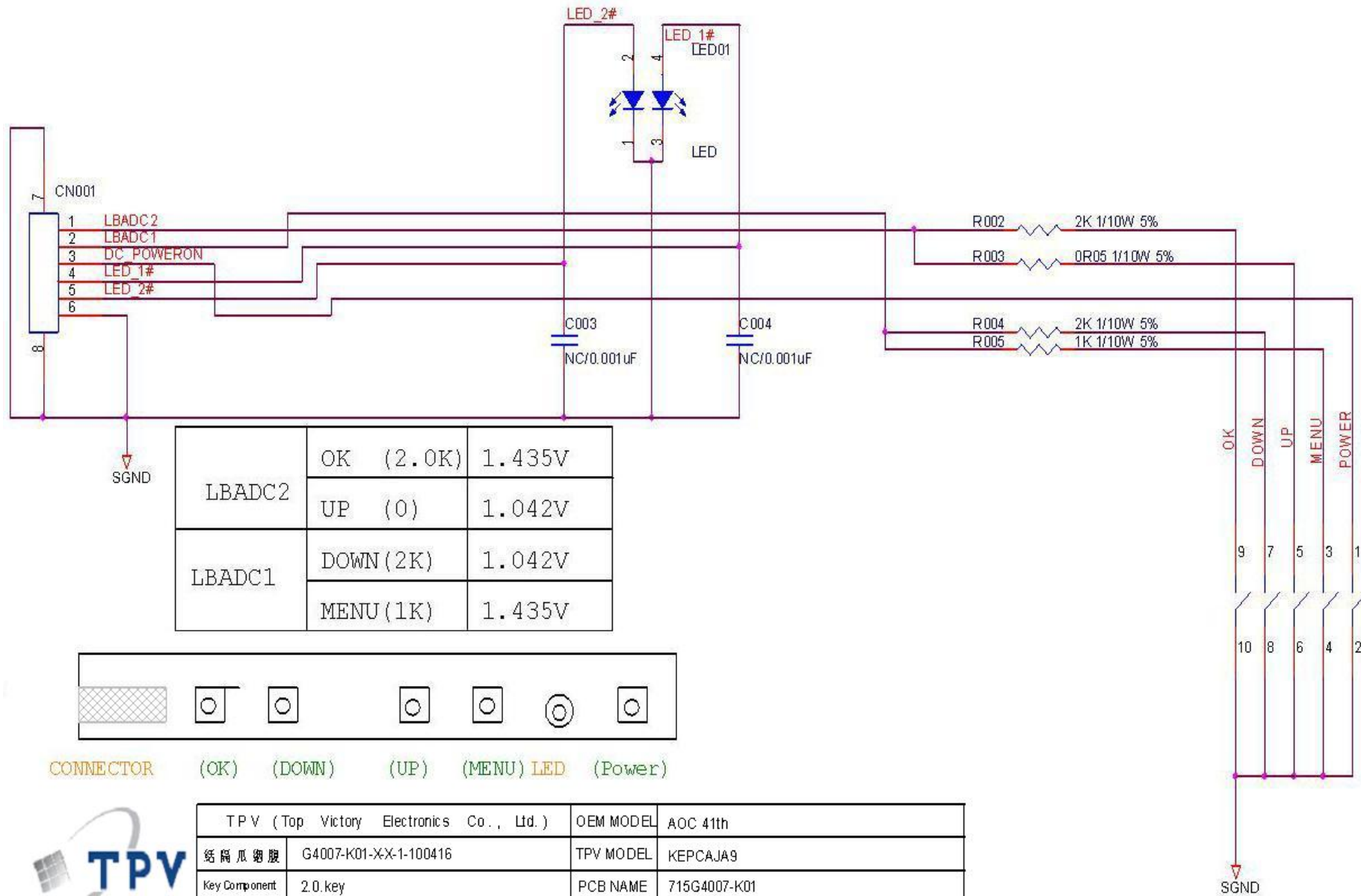
### 6.4 Converter Board----715G3918-P02



- Iout 20mA 25mA
- R804 56K 27K
- R842 56K 150K
- R815 56K 27K
- R843 56K 150K

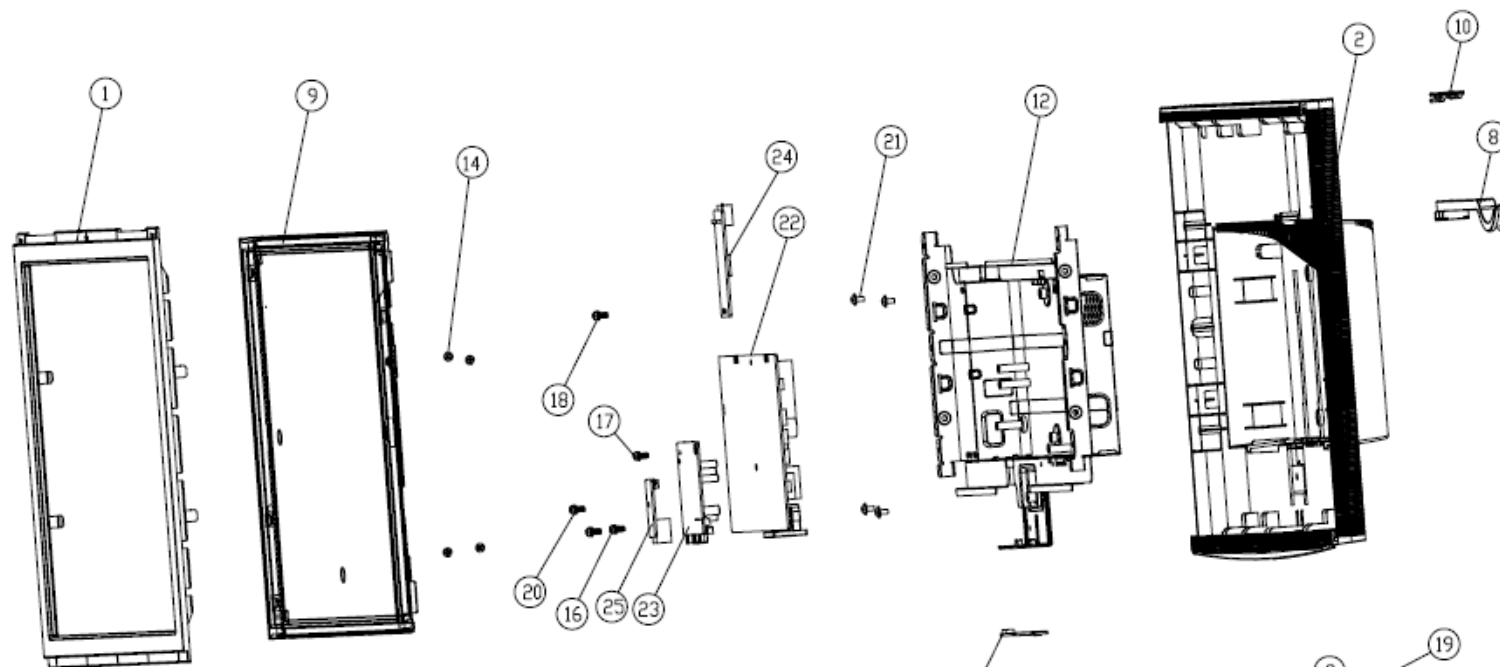
TPV (Top Victory Electronics Co., Ltd.)	OEM MODEL		Size	B
纸隔瓜网膜	G3918-P0F--000-X-2-091229	TPV MODEL	LNPC95361XYC1	Rev
Key Component	3.CONVERTER	PCB NAME	715G3918-P0F	称爹
Date	Monday, January 04, 2010	Sheet	1 of 3	ODM MODEL



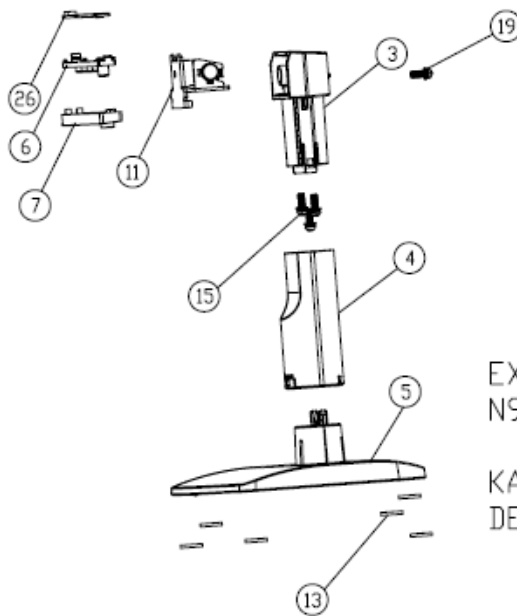


-----Just for your reference.

### 7.Explore Views

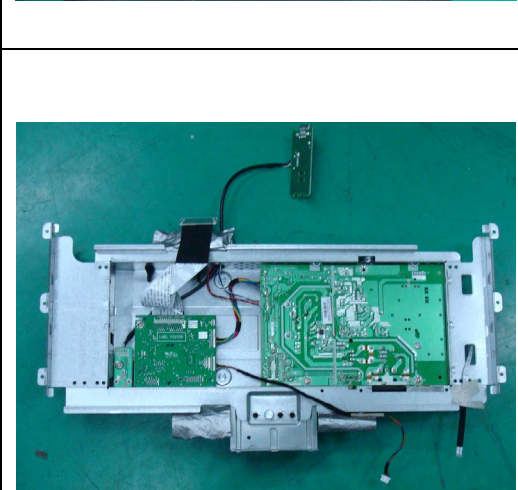
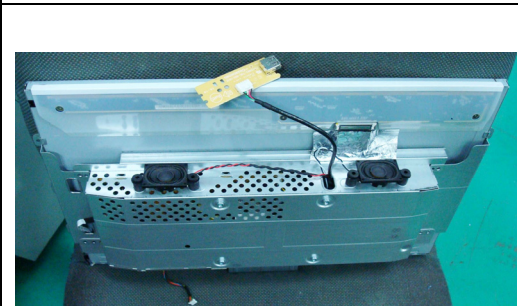


ITEM	part no.	part name	用量	ITEM	part no.	part name	用量
1	J34G8B50	1 bezel	1	14	OMIG 130 5120	screw (mainframe&panel)	4
2	J34G8B51	2 rear cover	1	15	AMIG1740 12 47 CR3	screw (hinge&stand)	3
3	J34G8B52	1 stand TOP	1	16	OMIG1030 6120	screw (power board)	2
4	J34G8B53	1 stand	1	17	OMIG1030 6120	screw (main board)	1
5	J34G8B54	1 base	1	18	OQIG1030 6120	screw (usb out board)	1
6	J33G8B42	1 key pad	1	19	AMIG1740 12 47 CR3	screw (mainframe&hinge)	1
7	J33G8B43	1 key pad holder	1	20	OMIG1030 6120	screw (usb in board)	1
8	J33G8B44	1 ear phone stand	1	21	OQIG1030 6120	screw (mainframe&rear cover)	4
9		PANEL	1	22		POWER BOARD	1
10	J33G8B46	1 web cam cover	1	23		MAIN BOARD	1
11	J37G8B04	1 hinge	1	24		USB OUT BOARD	1
12	J15G8B33201	1 main frame	1	25		USB IN BOARD	1
13	Q12G6600	6 rubber foot	4	26		KEY BOARD	1

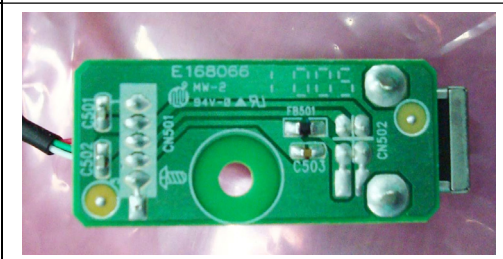
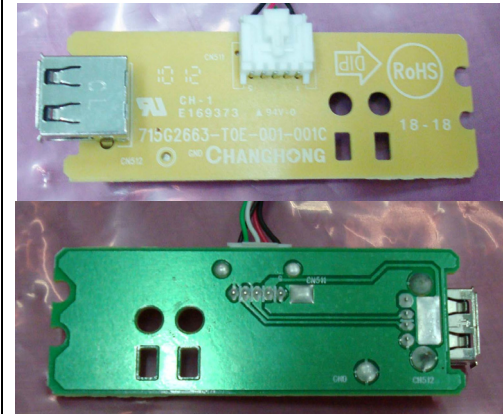
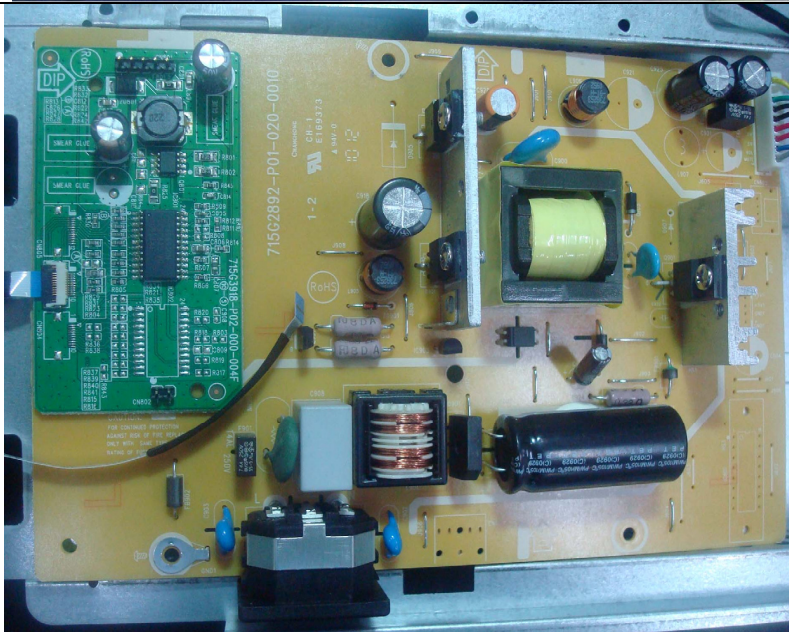
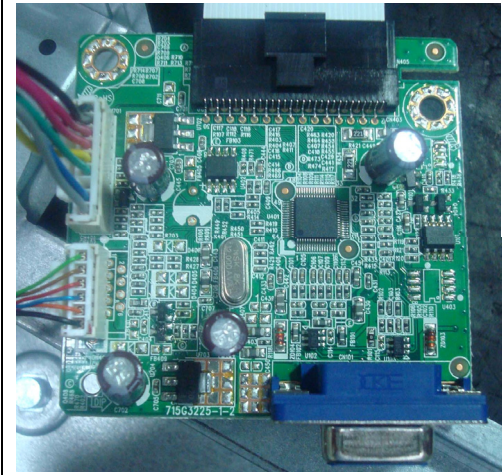
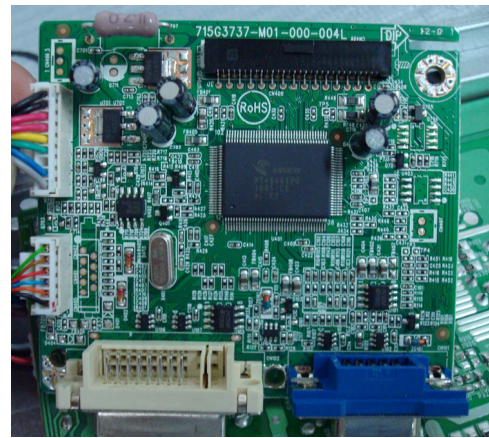


EXPLORE VIEW  
N941S

KAIML.LEI  
DEC-15-09

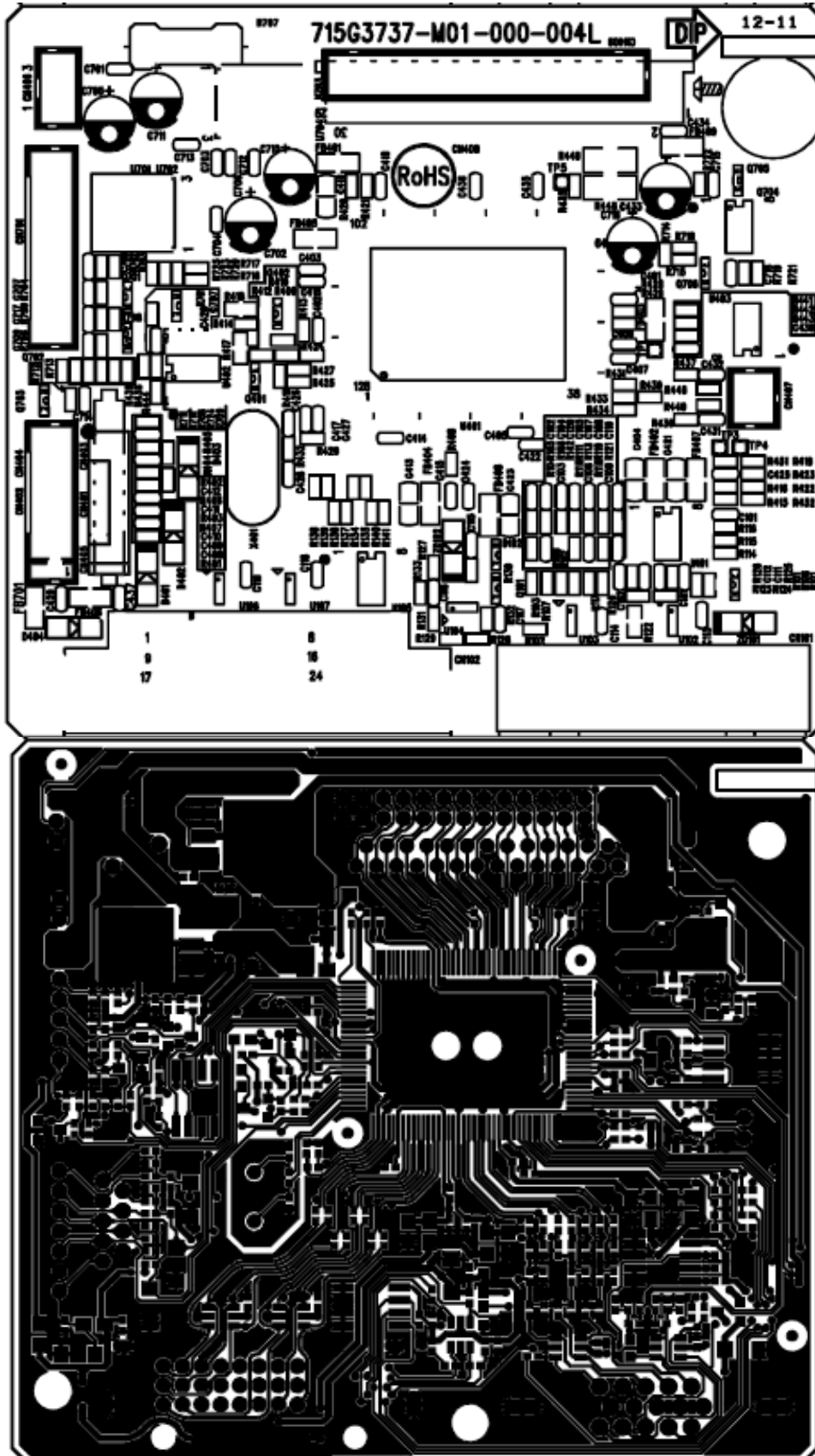


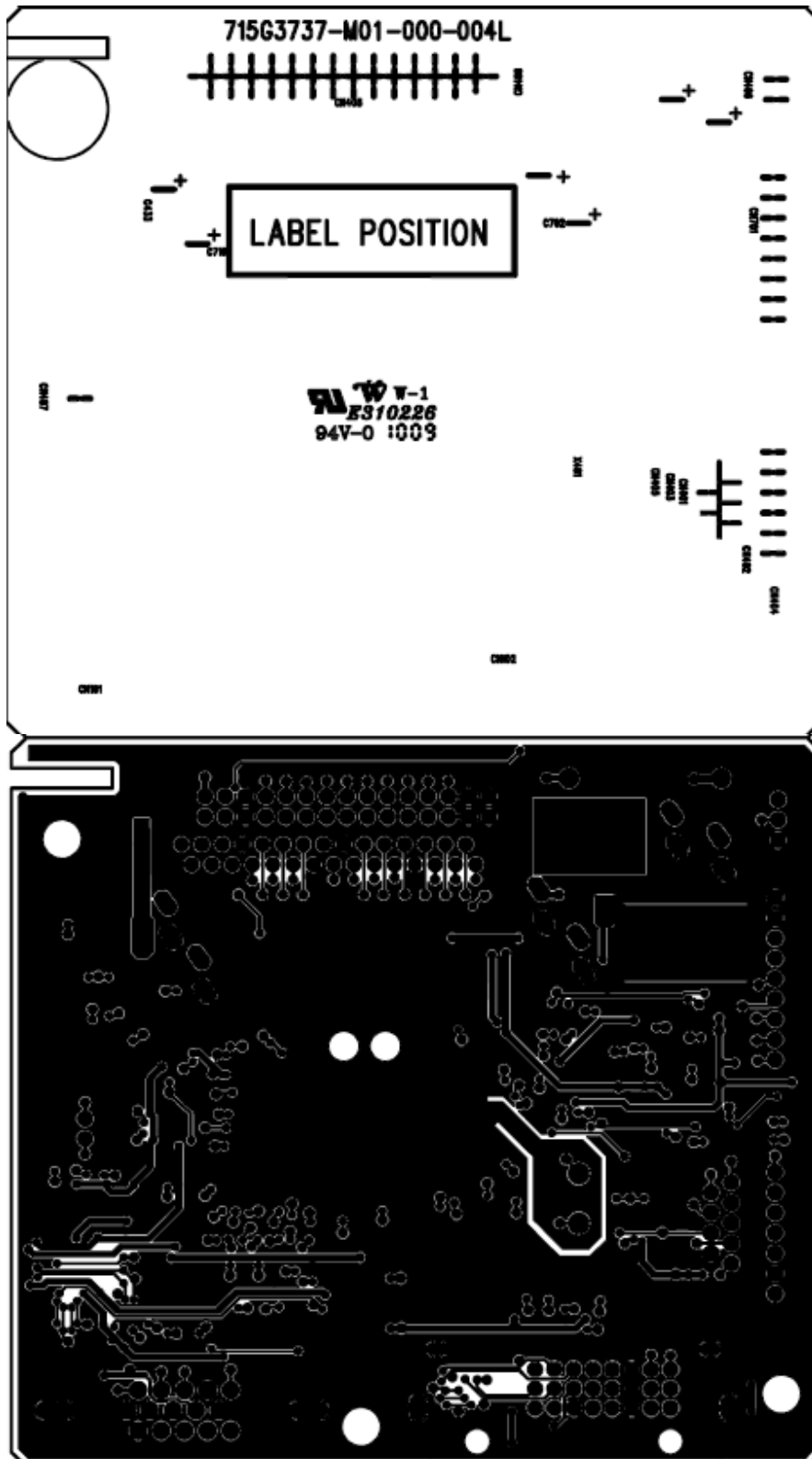




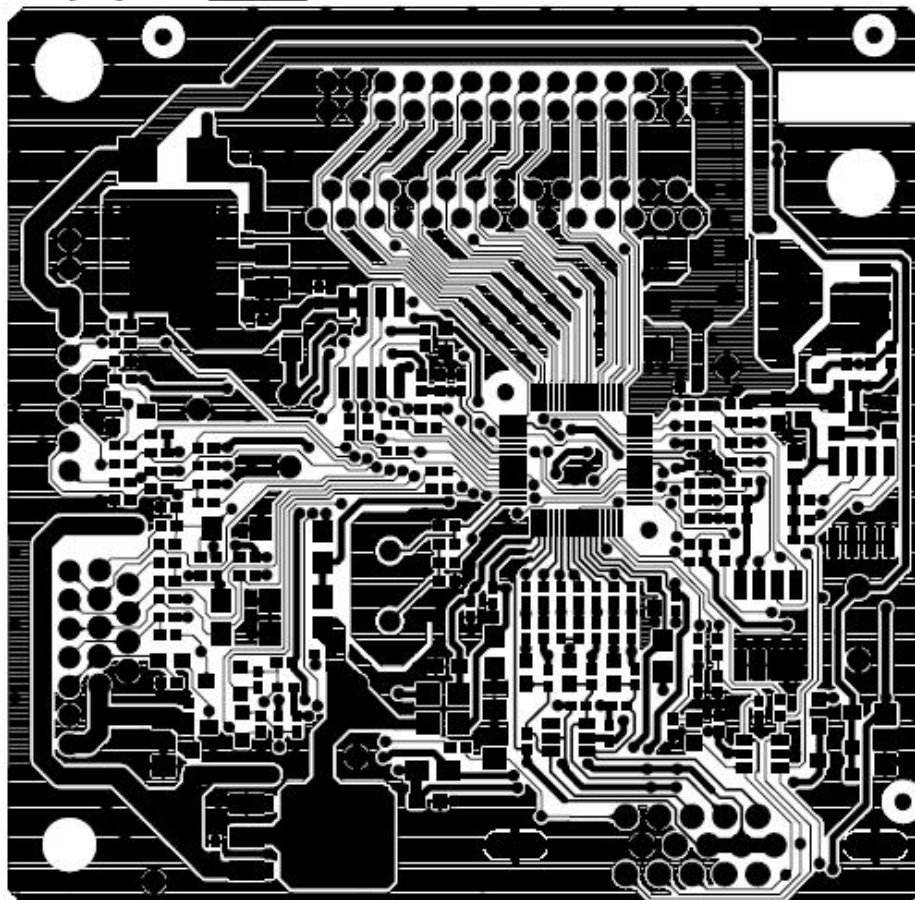
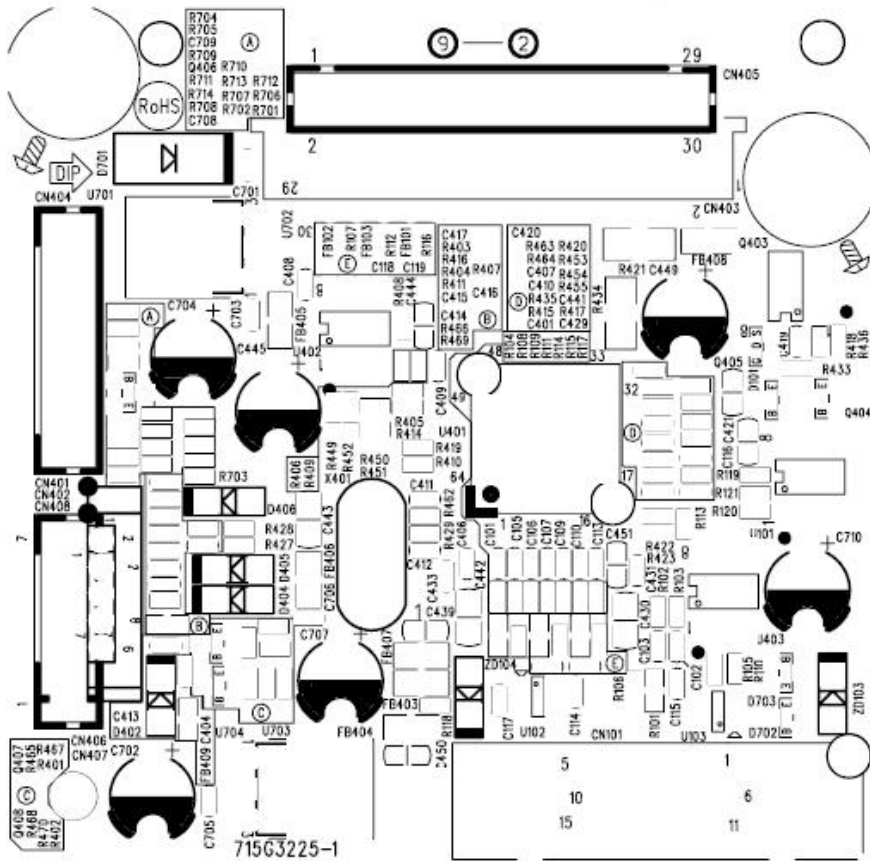
## 8. PCB Layout

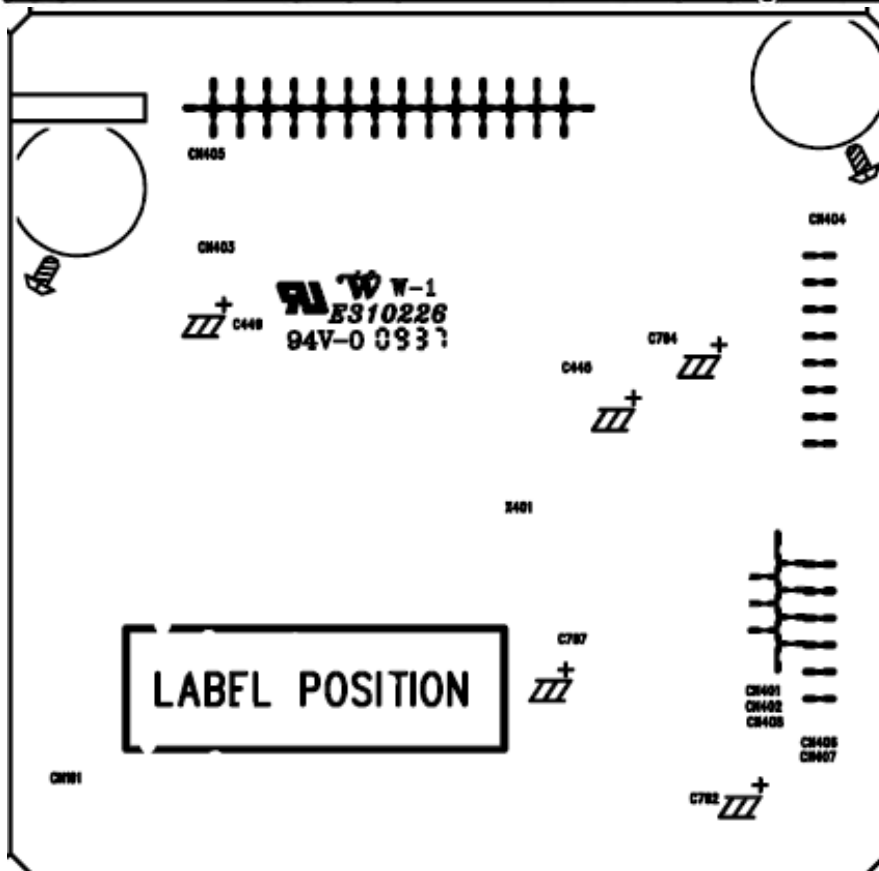
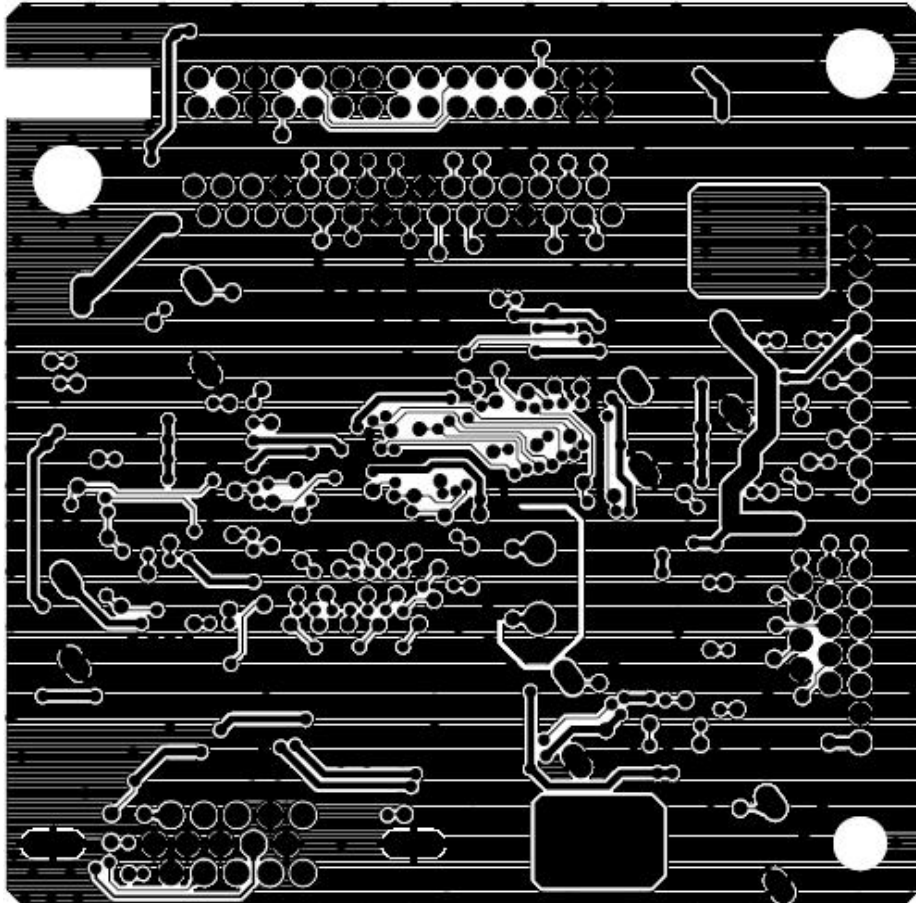
### 8.1 MainBoard 1- 715G3737-M01



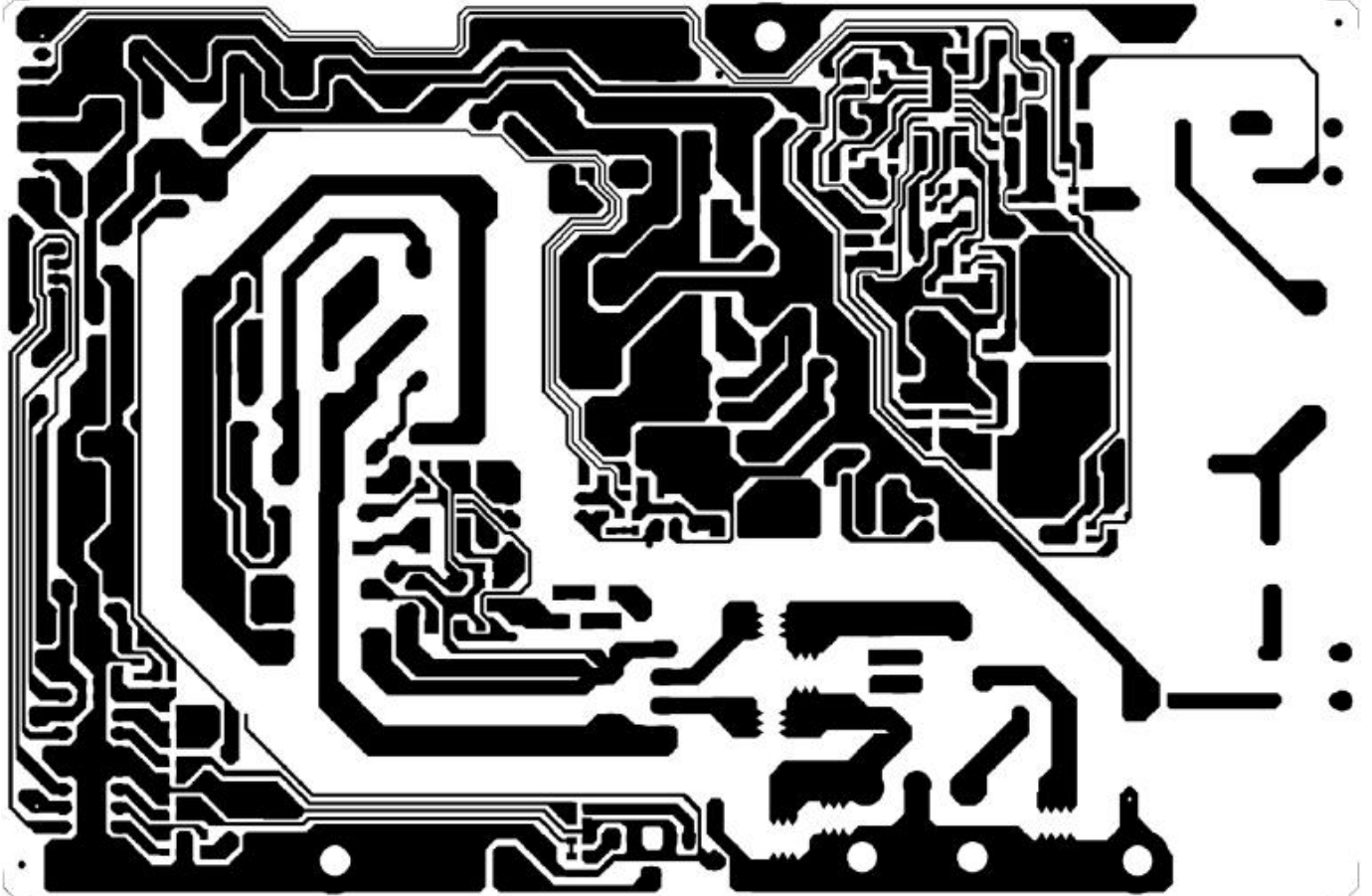


Main Board 2---715G3225-1-2

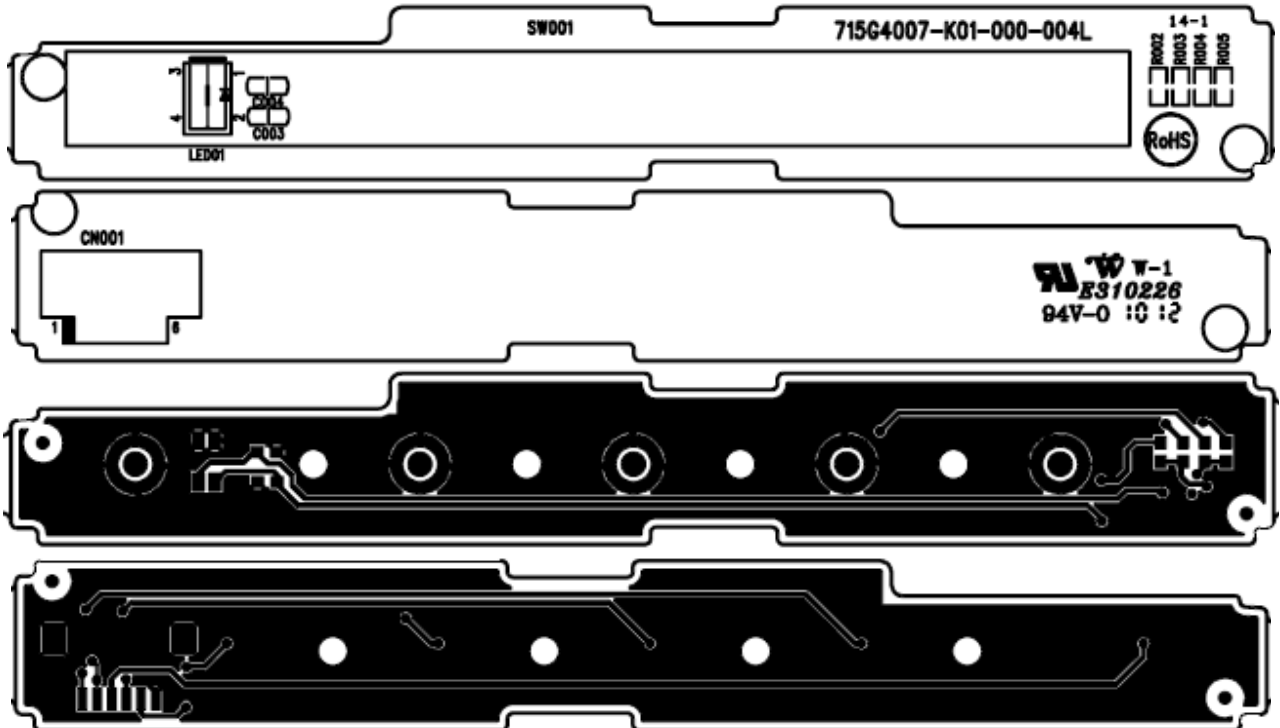








8.3 KeyBoard ---715G4007



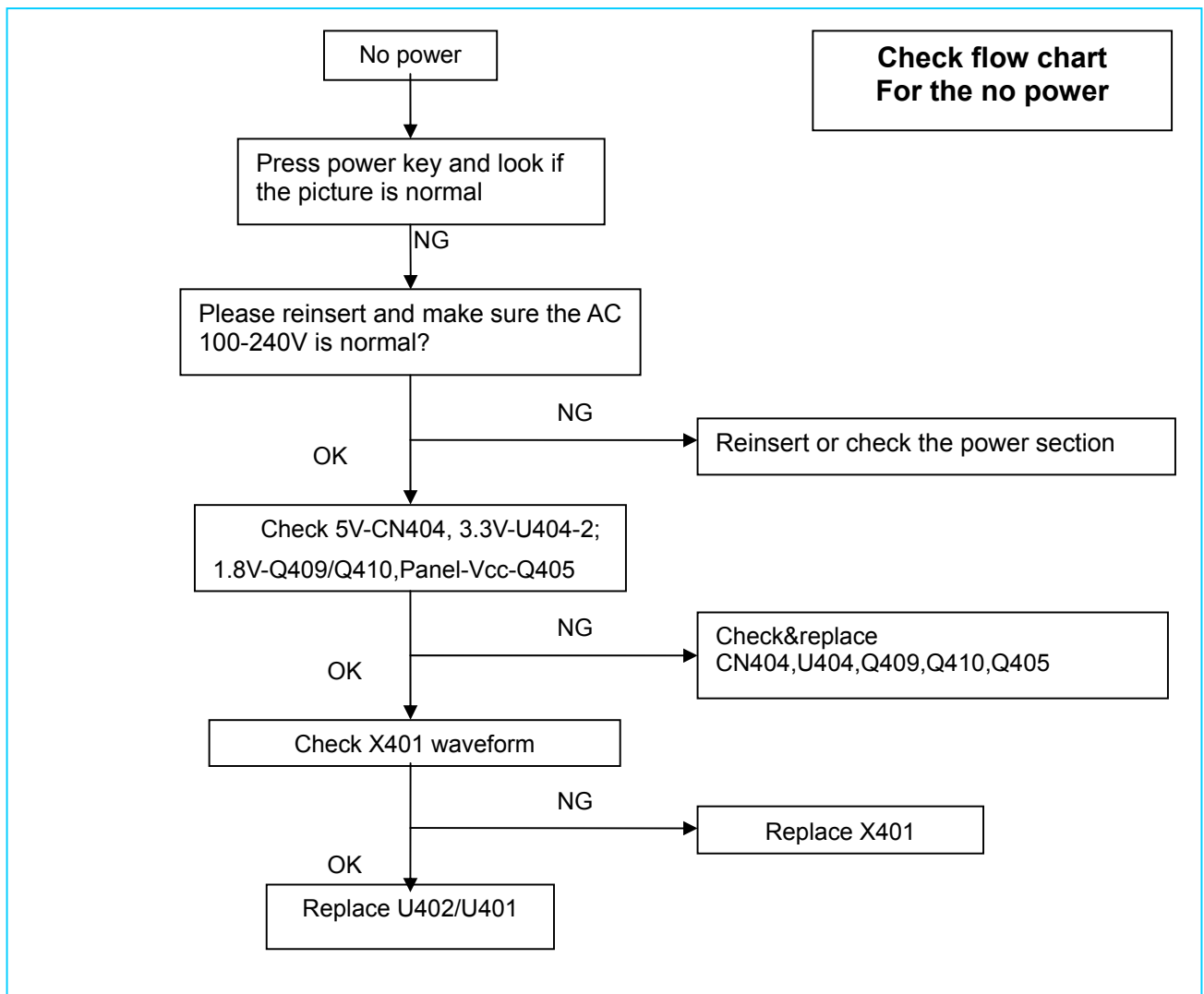
## 9. Maintenance Trouble treatment

### 9.1 Maintainability Requirement

1. Voltmeter. & digital multimeter
2. Oscilloscope.
3. Pattern Generator.
4. DDC Tool with Compatible Computer.
5. Alignment Tool.
6. LCD Color Analyzer.
7. Service Manual.
8. User Manual.
9. repair tools etc

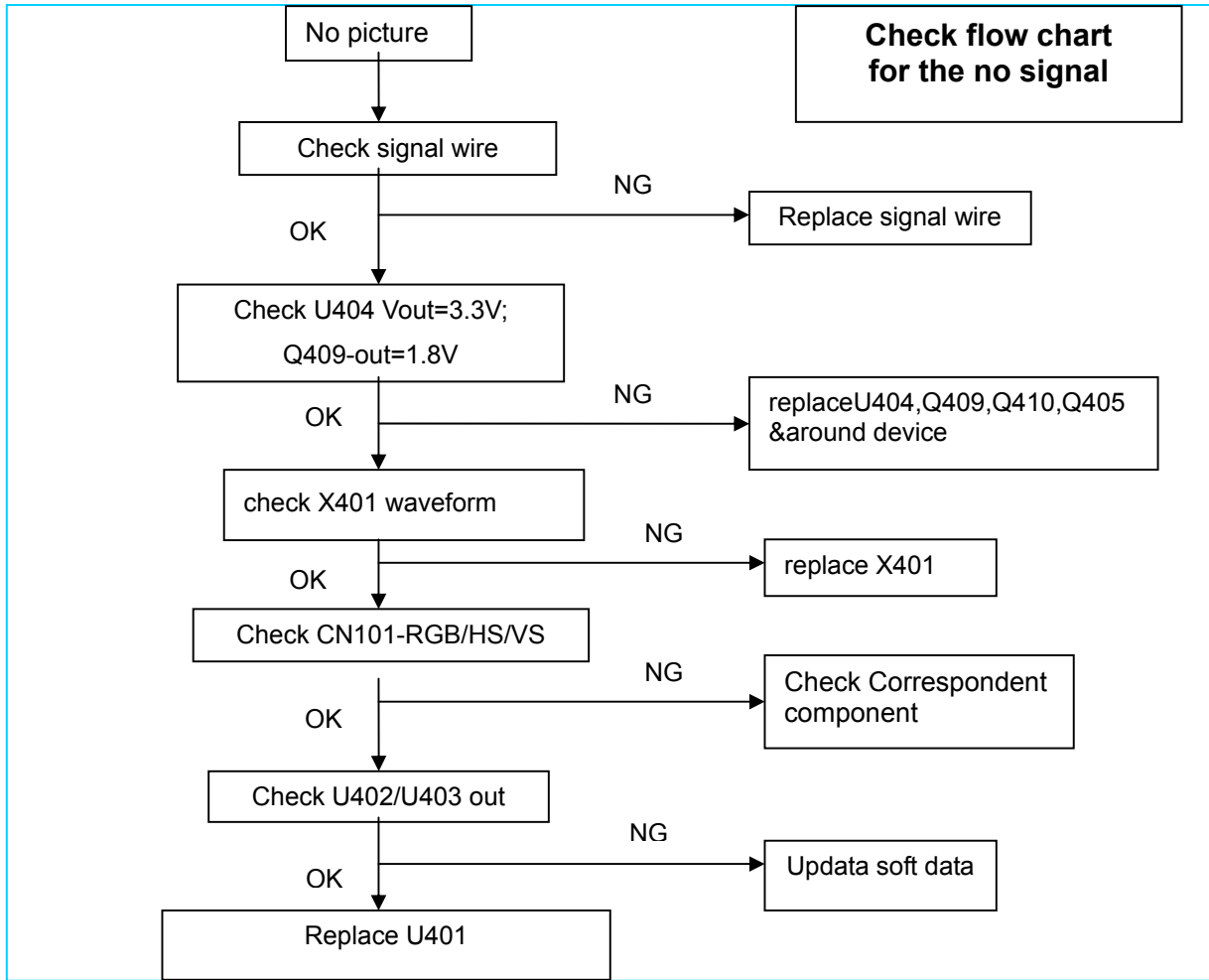
### 9.2 Trouble Shooting

#### Main Board---No Power

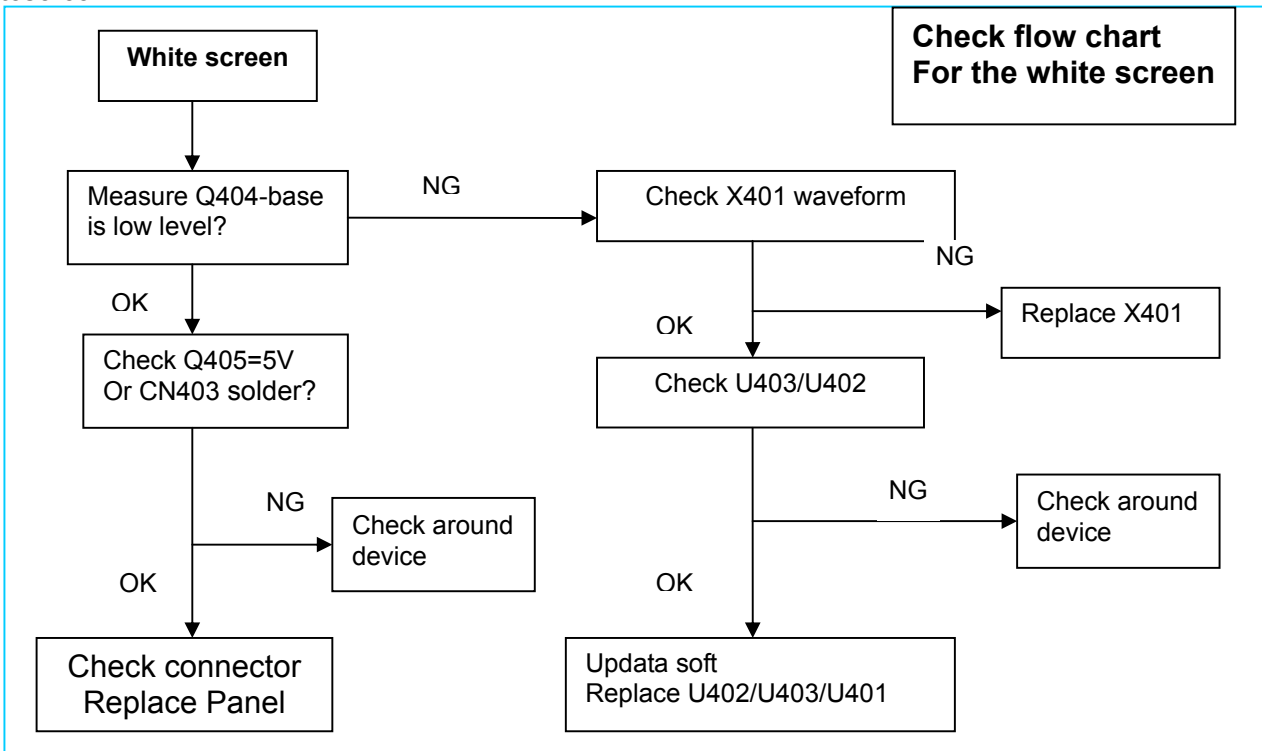




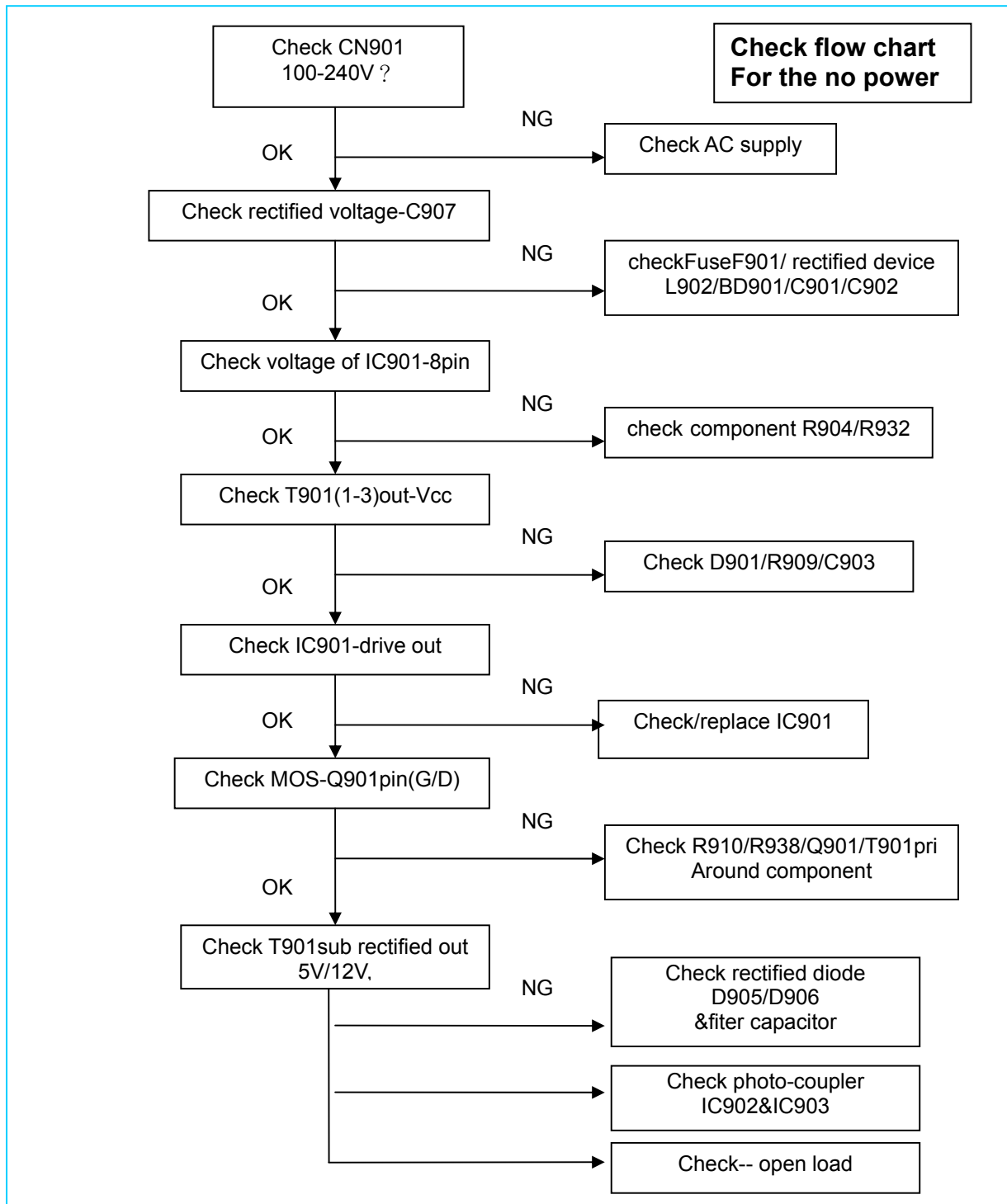
**No picture (LED orange)**



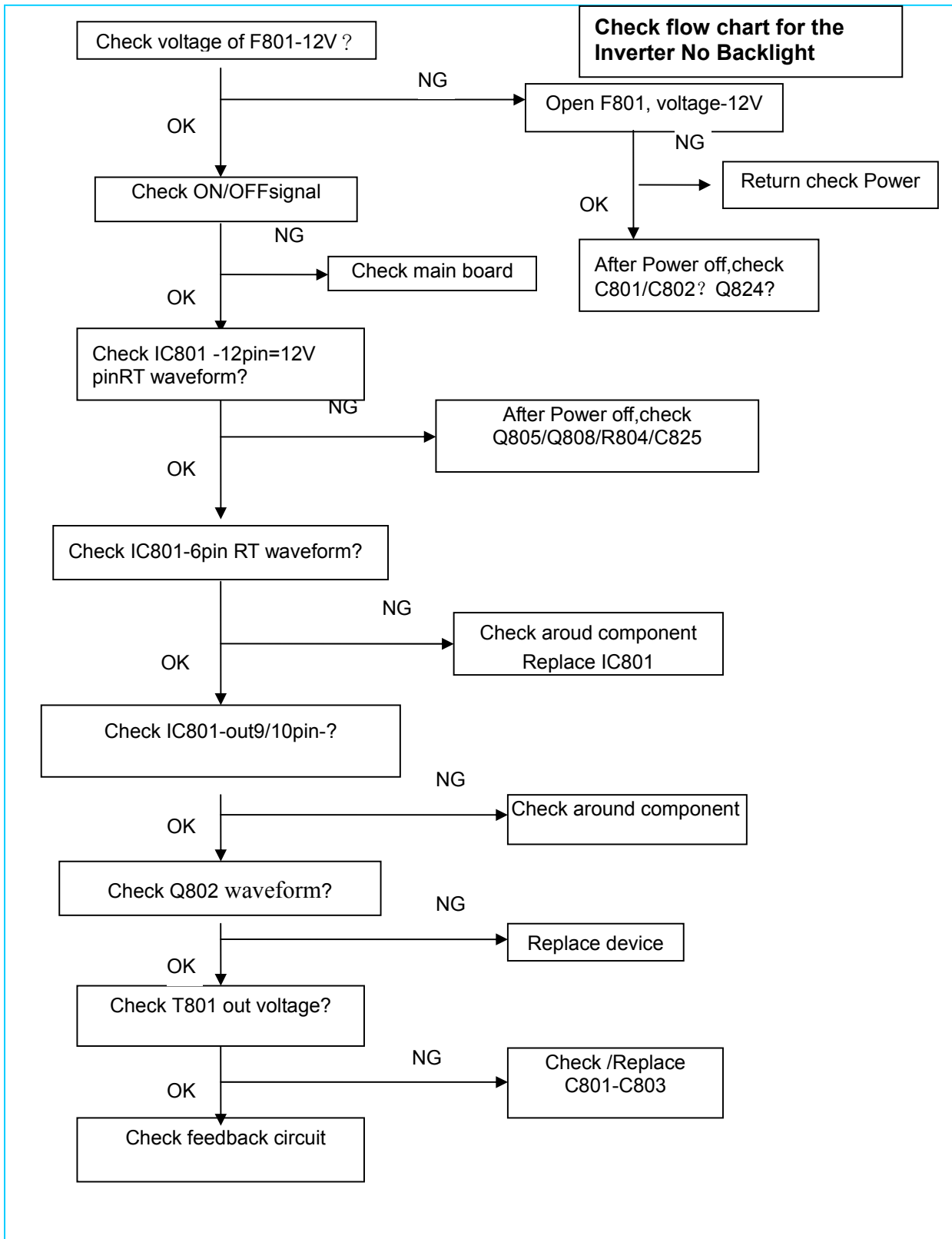
**Whitescreen**



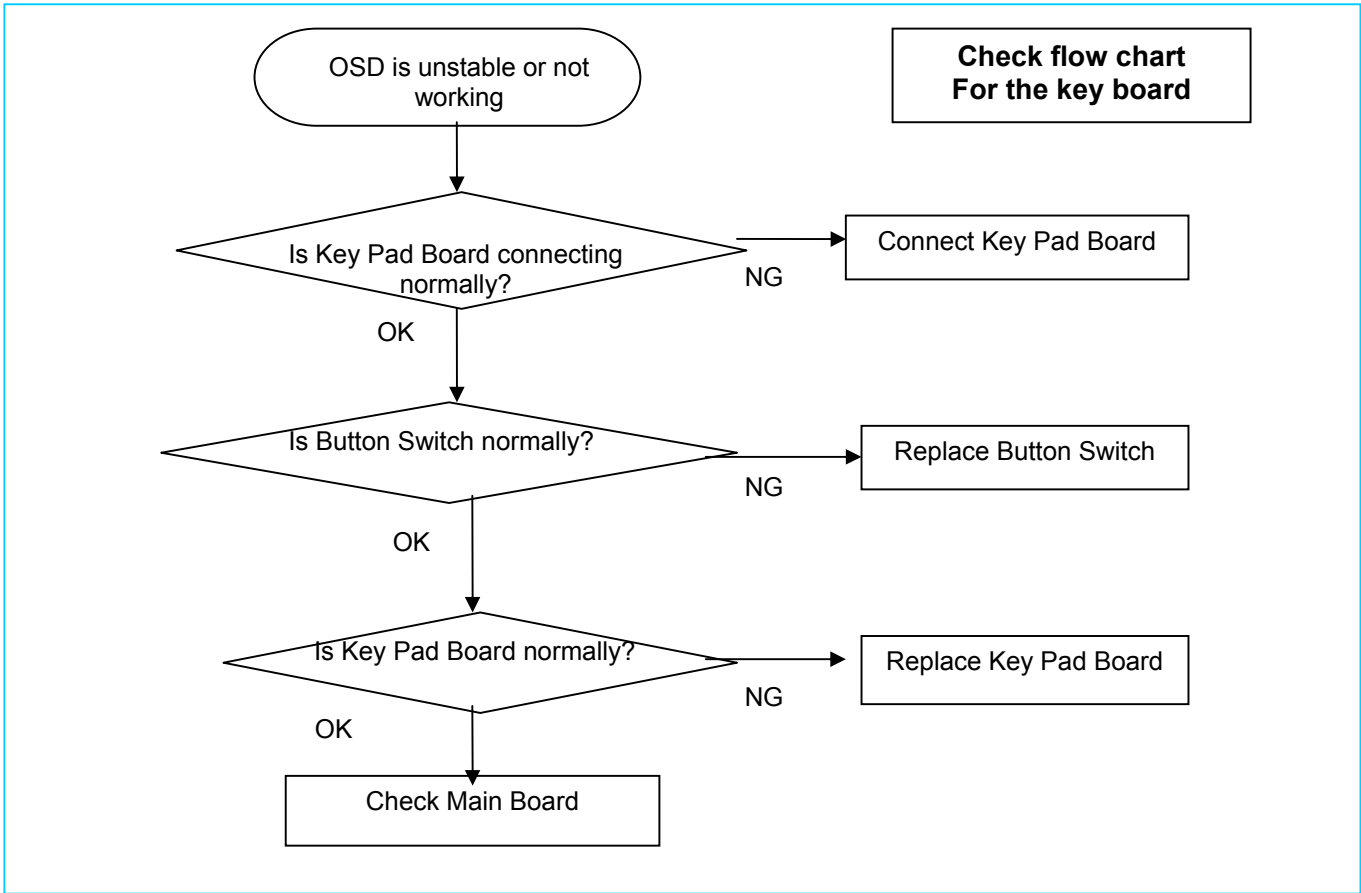
**Power Board---**  
**No Power 5V/12V**



**No Backlight of panel**



### Key Board---OSD no working



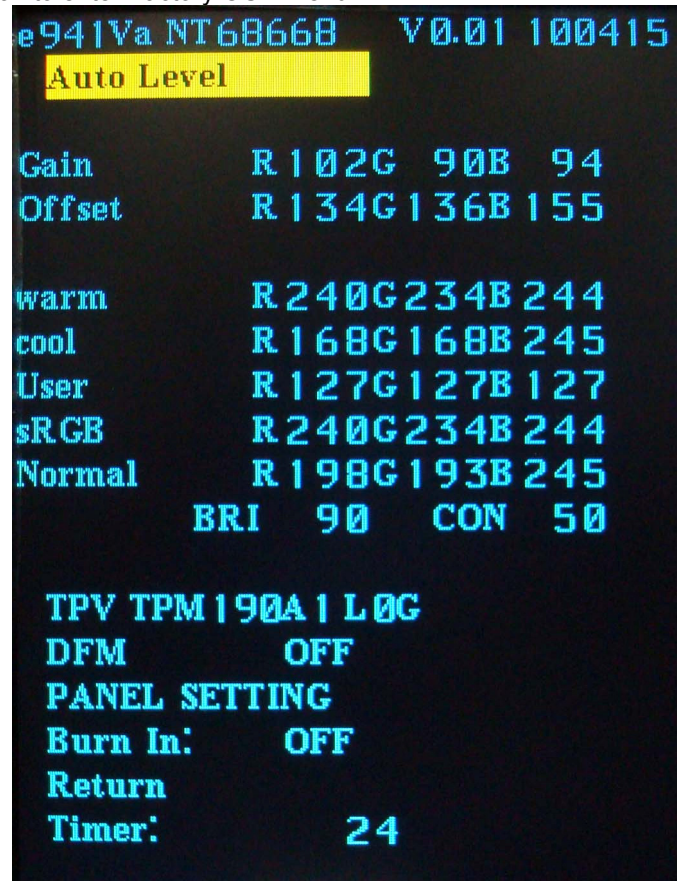
### 9.3 Factory mode adjustment

After replacing the Main board and the Panel, Check for enter the Factory mode ,then re-writing DDC is necessary. Step:

Press MENU button ← and hold,reinsert the Power cord , then ,press MENU , the monitor will may enter Factory OSD Menu. Then Press ← . Factory OSD Menu will appear in the screen.



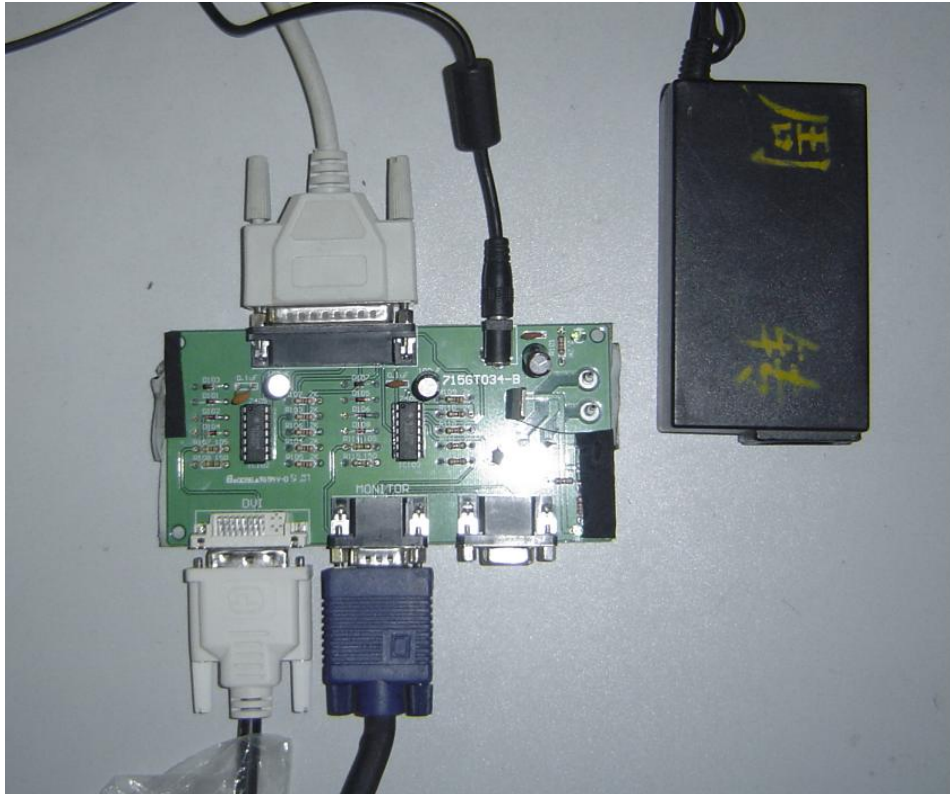
By select this "F" button to enter Factory OSD Menu.



#### 9.4 Writing DDC program step

After replacing the Main board and the Panel, Check if white-balance is within the specs ,then re-writing DDC is necessary.

1. Prepared the PC with Windows XP system, DDC recording device (12V)for figure below
2. Connect the DDC recording device and the PC through PC parallel port
3. setup "Port95nt" driver program to PC ,
4. select relevant program and run it, below figure will appear
- 5, Press "LoadFile", select EDID -model of product, and select input port;
6. key in SN,and other information, key-press "Program" button;



DDC EDID Beijing Version 3.22 for EEPROM

Help History Read

LoadFile...  Flush  Analog  DVI  Analog and DVI

	00	01	02	03	04	05	06	07	08	09	0A	0B	0C	0D	0E	0F
01	FF	FF	FF	FF	FF	FF	FF	FF	FF	FF	FF	FF	FF	FF	FF	FF
02	FF	FF	FF	FF	FF	FF	FF	FF	FF	FF	FF	FF	FF	FF	FF	FF
03	FF	FF	FF	FF	FF	FF	FF	FF	FF	FF	FF	FF	FF	FF	FF	FF
04	FF	FF	FF	FF	FF	FF	FF	FF	FF	FF	FF	FF	FF	FF	FF	FF
05	FF	FF	FF	FF	FF	FF	FF	FF	FF	FF	FF	FF	FF	FF	FF	FF
06	FF	FF	FF	FF	FF	FF	FF	FF	FF	FF	FF	FF	FF	FF	FF	FF
07	FF	FF	FF	FF	FF	FF	FF	FF	FF	FF	FF	FF	FF	FF	FF	FF

**Analog**

Manufacturer (2):  Product Code:

Model Name:

Monitor SN:

Week (1 byte):  [ISO8601]

Year (1 byte):

Input:

Checksum:

**Digital**

Manufacturer:  Product Code:

Model Name:

Monitor SN:

Week:

Year:

Input:

Checksum:

CostDDC EEPROM  IODelay

State:

Input SN:

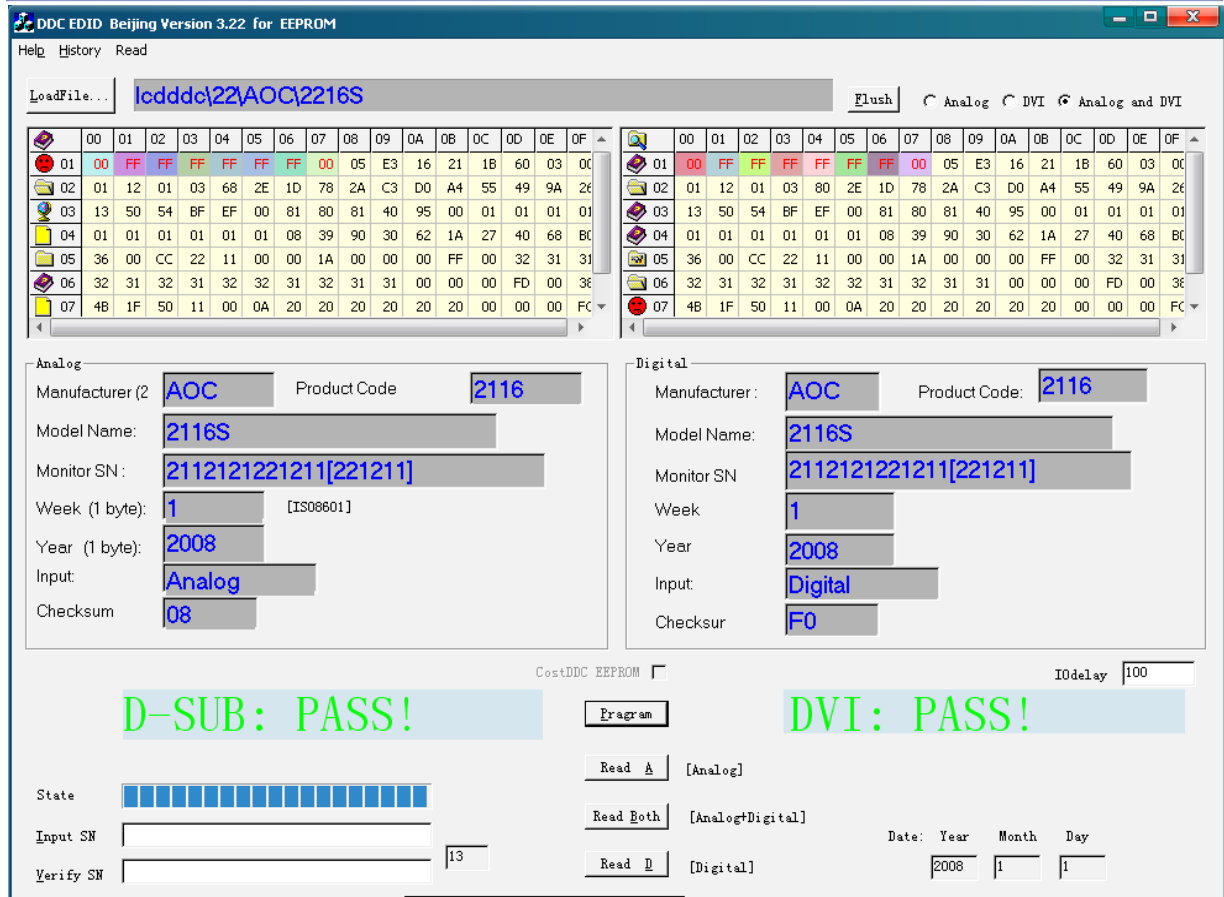
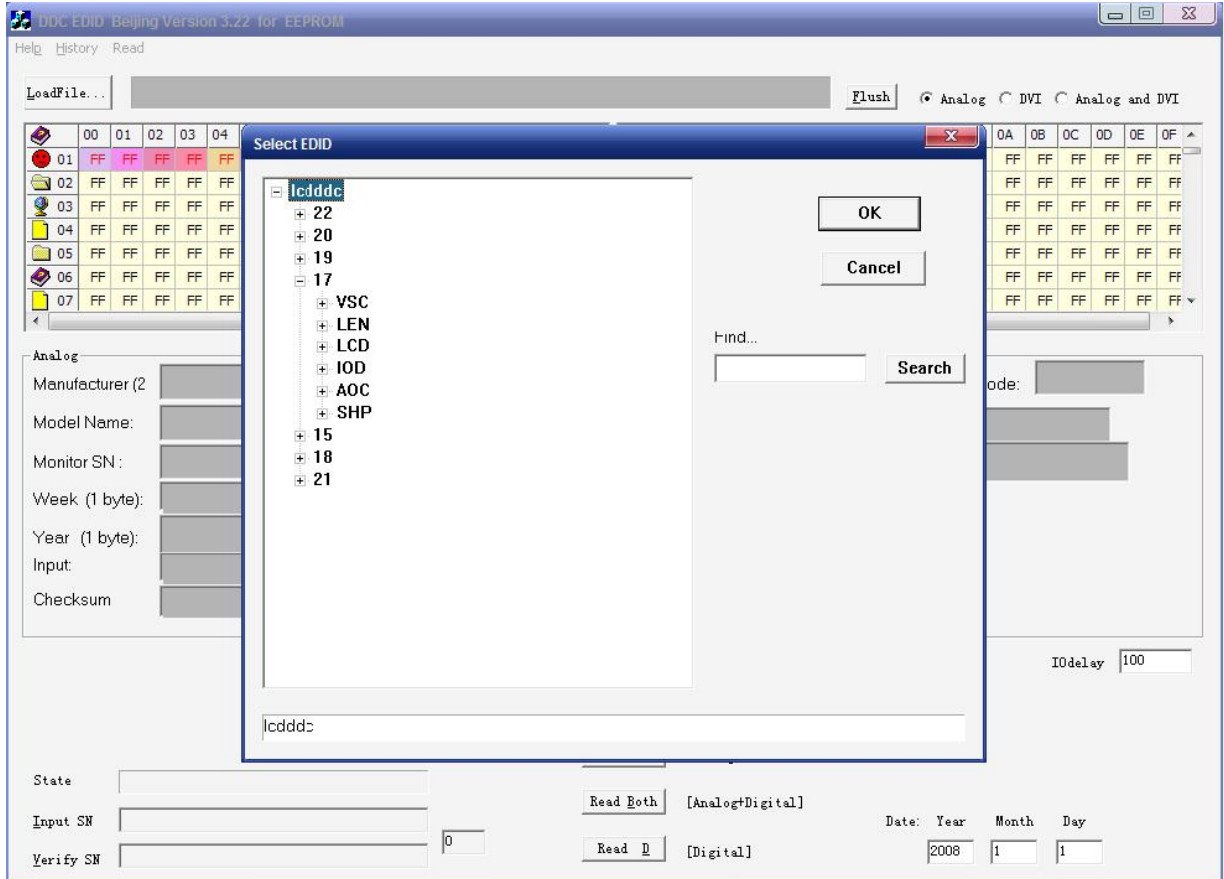
Verify SN:

Read  [Analog]

Read  [Analog+Digital]

Read  [Digital]

Date: Year  Month  Day



**10.BOM List**

**Note: The parts information listed below are for reference only, and are subject to change without notice. Please go to <http://cs.tpv.com.cn/hello1.asp> for the latest information.**

**10.1 Model: e941VA--T995NTNBWVK2PNJ**

Location	Part number	Description	Remark
	040G 581 26704	SHIPPING LABEL	2nd source
	040G 581689 4A	BARCODE LABEL FOR 1	3
	052G 1211 A	Conductive Tape 55mm *45mm *0.08mm (单导)	2
	052G 1211 B	Conductive Tape 85mm *40mm *0.09mm (单导)	1
	070GHDCP500HDC	HDCP CODE	2
	078G0025501 YA	SPK 4 OHM 2.5W 48X28 220 140 SUNLINK	1
	089G 17356X554	AUDIO CABLE	1
E08905	089G 175 8 G	FQE41177F USB CABLE 1800mm A+B	1
E08905	089G 175 8 H	USB CABLE A+B 1.8M	2nd source
E08902	089G 725CAA DB	D-SUB CABLE	2nd source
E08902	089G 725GAA DB	D-SUB CABLE	2nd source
E08902	089G 725HAA DB	D-SUB CABLE	1
E08902	089G 725LAA DB	D-SUB CABLE	2nd source
E08907	089G179J30N521	FFC CABLE 30PIN P1.0 210mm	2nd source
E08907	089G179W30N521	FFC CABLE	2nd source
E08901	089G404A15N HL	AC POWER CORD 1500mm	1
E08901	089G404A15N IS	AC POWER CORD 1500MM Europe Reg.	2nd source
E09517	095G176J 10544	FFC CABLE --10 --160 --0.5	1
E09505	095G8014 5DH15	Wire harness 5P(2008)-5P(2008) 440MM	2nd source
E09505	095G8014 5XH15	Wire harness 5P(2008)-5P(2008) 440MM	1
E09508	095G8014 6DH52	HARNESS 6P(PLUG)-6P(A1253HA HR) 260mm	2nd source
E09508	095G8014 6WH52	HARNESS 6P(PLUG)-6P(A1253HA HR) 260mm	1
	0M1G 130 5120	SCREW	4
	0M1G1030 6120	SCREW M3X6	1
	0M1G1030 6120	SCREW M3X6	1
	0M1G1030 6120	SCREW M3X6	3
	0Q1G1030 6120	SCREW	1
	0Q1G1030 6120	SCREW	4
E750	750GMV190W3061N000	LCD TPM190A1-MWW3 R05A FQ TPV	1
	756GJ9CB AK010	MCU ASSY main board CBPC9NTA1QYJ	
U402	056G2233 11	IC Pm25LD020C-SCE SIOC-8(150mil) 2M	2nd source
SMTCR-U402	100GANV9001B11	e941Va	
	CBPC9NTA1QYJ	MIAN BOARD 715G3737	1
	ADPC91603YY1J	POWER G2892-P01-020-X-2-100308	1
GND1	009G6005 1	GROUND TERMINAL	1
CN602	033G3802 4 BH F	CONNECTOR	1
CN602	033G3802 4 BH L	conn 2.0mm 4p	2nd source
	040G 45762412B	CBPC LABEL	2
IC902	056G 139 3A	IC PC123Y22FZ0F	1
IC902	056G 139900	PHOTO COUPLER TLP421F	2nd source
IC601	056G 616 51	IC APA2071JI-TUG 3.1W DIP-16	1
NR901	061G 58100 WD	RST NTCR 10 OHM +-20% 5A THINKING	1
C908	063G 10747410V	0.47UF 275VAC ARCO	2nd source
C908	063G107K474 6S	CAP X2 0.47UF K 275VAC	2nd source
C908	063G107K474 US	0.47UF +-10%	1



C903	065G305M1022BP	Y2 1000PF M 250VAC Y5P	1
C902	065G305M1022BP	Y2 1000PF M 250VAC Y5P	1
C900	065G306M3322BP	3300PF 20%	1
C918	067G215A1024KV	EC 1000uF 25V 12.5*20mm	2nd source
C918	067G215A1024LV	LOW ESR EC 1000uF 25V M 12.5*20mm	1
C925	067G215D4714KV	E.C 105°C CAP 470UF M 25V ED SERIES	2nd source
C925	067G215D4714LV	LOW ESR EC 470uF 25V M 10*16mm	1
C921	067G215S1023KV	EC CAP 105°C 1000UF M 16V	1
C922	067G215S4713KV	EC 105°C CAP 470UF M 16V	2nd source
C604	067G215S4713LV	LOW ESR EC 470uF 16V M 10*12.5mm	1
C922	067G215S4713LV	LOW ESR EC 470uF 16V M 10*12.5mm	1
C907	067G315Z10115K	EC.100UF 450V 18*40mm	2nd source
C907	067G315Z10115L	EC 100uF 450V M 18*40mm	1
L901	073G 174 65 H2	LINE FILTER 30mH MIN	2nd source
L901	073G 174 65 S2	LINE FILTER 30mH MIN	1
L905	073G 253 91 H	CHOKE COIL	2nd source
L906	073G 253 91 H	CHOKE COIL	2nd source
L906	073G 253 91 L	CHOKE BY LI TA	1
L905	073G 253 91 L	CHOKE BY LI TA	1
L907	073G 253191 H	IND CHOKE 1.1uH DADON	1
T901	080GL22T 3 N1	X'FMR 490uH YUVA-1093	1
T901	080GL22T 3 S1	X'FMR 490uH	2nd source
CN901	087G 501 32 S	AC SOCKET	1
CN901	087G 501 32 DL	AC SOCKET DIP 3PIN+2PIN GROUND	2nd source
CN601	088G 30214K DC	PHONE JACK 5PIN +开口向下弹片	1
BD901	093G 50460 28	BRIDGE DIODE KBP208G LITEON	1
BD901	093G 50460514	BRIDGE KBP306G 3A/800V TSC	2nd source
D905	093G 60334	DIODE SR506 5A/60V DO-201AD	1
D905	093G 60519	DIODE SR560 5A/60V DO-27 SECOS	2nd source
CN902	095G 825 9X518	HARNESS 9P(SCN)-9P(PLUG) 120mm	1
	705GQ793081	D901/D906 ASS'Y	1
	051G 200 1	OIL FOR DISAPPEAR	2
D901	093G 52 66	DIODE FMX-12SL 10A/200V TO-220	2nd source
D901	093G 52 69	DIODE YG902C2RSC 10A/200V TO-220F15	1
D906	093G 60251	FCQ10U06	2nd source
D901	093G 60316	DIODE FCH10A20 10A/200V TO-220	2nd source
D906	093G 60526	SCHOTTKY MBRF1060CT ITO-220AB	1
	0M1G 930 8120	SCREW	2
HS2	Q90G6264 5	HEAT SINK	1
	705GQ851001	OIL FOR DISAPPEAR ASS'Y	1
	051G 200 1	OIL FOR DISAPPEAR	2nd source
	052G 2191 A	PAPER TAPE	1
	705GQA57024	Q901 ASS'Y	1
Q901	057G 600 35	STP8NK80ZFP	2nd source
Q901	057G 667 21	STP10NK70ZFP	1
Q901	057G 667516	FET 2SK3673 TO-220 FUJI	2nd source
Q901	057G 667924	MOSFET SMK0965F	2nd source
HS1	090G6064 1	HEAT SINK	1
	0M1G 930 8120	SCREW	1
	AD91603YY1SMTJ	POWER BOARD FOR SMT	1

IC901	056G 379160	IC FAN6752MY SOP-8	1
R610	061G0603000 JF	RST CHIPR MAX 0R05 1/10W FENGHUA	1
R907	061G06031001FY	RST CHIPR 1KOHM +-1% 1/10W YAGEO	1
R918	061G06031002FY	RST CHIPR 10KOHM +-1% 1/10W YAGEO	1
R602	061G0603103 JT	RST CHIP 10K 1/10W 5% TZAI YUAN	1
R603	061G0603103 JT	RST CHIP 10K 1/10W 5% TZAI YUAN	1
R604	061G0603103 JT	RST CHIP 10K 1/10W 5% TZAI YUAN	1
R605	061G0603103 JT	RST CHIP 10K 1/10W 5% TZAI YUAN	1
R609	061G0603103 JT	RST CHIP 10K 1/10W 5% TZAI YUAN	1
R928	061G06032002FF	RST CHIPR 20KOHM +-1% 1/10W FENGHUA	2nd source
R925	061G06032002FF	RST CHIPR 20KOHM +-1% 1/10W FENGHUA	2nd source
R916	061G06032002FF	RST CHIPR 20KOHM +-1% 1/10W FENGHUA	2nd source
R928	061G06032002FT	RST CHIP 20K 1/10W 1%	1
R925	061G06032002FT	RST CHIP 20K 1/10W 1%	1
R916	061G06032002FT	RST CHIP 20K 1/10W 1%	1
R606	061G0603273 JT	RST CHIP 27K 1/10W 5% TZAI YUAN	1
R607	061G0603273 JT	RST CHIP 27K 1/10W 5% TZAI YUAN	1
R920	061G06034701FF	RST CHIPR 4.7KOHM +-1% 1/10W FENGHUA	2nd source
R920	061G06034701FT	RST CHIP 4K7 1/10W 1%	1
R905	061G0603471 JT	RST CHIPR 470OHM +-5% 1/10W TZAI YUAN	1
R905	061G0603471 JY	RST CHIPR 470 OHM 5% 1/10W YAGEO	2nd source
R608	061G0805000 JT	RST CHIPR 0 OHM +- 5% 1/8W TZAI YUAN	1
R919	061G08054700FF	RST CHIPR 470 OHM +-1% 1/8W FENGHUA	1
R919	061G08054700FT	RST CHIP 470R 1/8W 1%	2nd source
RJ816	061G12060007JY	RST CHIPR MAX0R05 7A 1/4W YAGEO	1
RJ802	061G12060007JY	RST CHIPR MAX0R05 7A 1/4W YAGEO	1
R923	061G1206101 JF	RST CHIPR 100 OHM +-5% 1/4W FENGHUA	1
R912	061G1206101 JF	RST CHIPR 100 OHM +-5% 1/4W FENGHUA	1
R910	061G1206101 JF	RST CHIPR 100 OHM +-5% 1/4W FENGHUA	1
R909	061G1206101 JF	RST CHIPR 100 OHM +-5% 1/4W FENGHUA	1
R930	061G1206101 JT	RST CHIPR 100 OHM +-5% 1/4W TZAI YUAN	1
R929	061G1206101 JT	RST CHIPR 100 OHM +-5% 1/4W TZAI YUAN	1
R903	061G1206101 JT	RST CHIPR 100 OHM +-5% 1/4W TZAI YUAN	1
R934	061G12062003FF	RST CHIPR 200KOHM +-1% 1/4W FENGHUA	1
R934	061G12062003FT	RST CHIPR 200KOHM +-1% 1/4W TZAI YUAN	2nd source
R908	061G1206204 JF	RST CHIPR 200KOHM +-5% 1/4W FENGHUA	1
R917	061G1206330 JF	RST CHIPR 33 OHM +-5% 1/4W FENGHUA	2nd source
R917	061G1206330 JT	RST CHIP R 33ohm 1/4W +/-5%	1
R913	061G1206519 JT	RST CHIPR 5.1 OHM 1/4W TZAI YUAN	1
R931	061G12066804FF	RST CHIPR 6.8MOHM 1% 1/4W FENGHUA	1
R932	061G12066804FF	RST CHIPR 6.8MOHM 1% 1/4W FENGHUA	1
R933	061G12066804FF	RST CHIPR 6.8MOHM 1% 1/4W FENGHUA	1
R900	061G1206684 JT	RST CHIPR 680 KOHM 1/4W TZAI YUAN	1
R901	061G1206684 JT	RST CHIPR 680 KOHM 1/4W TZAI YUAN	1
R902	061G1206684 JT	RST CHIPR 680 KOHM 1/4W TZAI YUAN	1
C610	065G060310131J Y	CAP CHIP 0603 100P 50V NPO +/-5%	1
C611	065G060310131J Y	CAP CHIP 0603 100P 50V NPO +/-5%	1
C923	065G060310232K T	MLCC 0603 CAP 1000PF 50V X7R	2nd source
C923	065G060310232K Y	CAP CHIP 0603 1N 50V X7R +/-10%	1
C924	065G060310412K W	CAP CHIP 0603 0.1UF K 16V X7R	2nd source

C926	065G060310412K	W	CAP CHIP 0603 0.1UF K 16V X7R	2nd source
C926	065G060310412K	Y	CAP CHIP 0603 100N 16V X7R +/-10%	1
C924	065G060310412K	Y	CAP CHIP 0603 100N 16V X7R +/-10%	1
C612	065G060310432K	Y	CAP CHIP 0603 0.1UF K 50V X7R	1
C613	065G060310432K	Y	CAP CHIP 0603 0.1UF K 50V X7R	1
C914	065G060347132K	T	CAP CHIP 0603 470pF K 50V X7R	2nd source
C914	065G060347132K	Y	CAP CHIP 0603 470PF K 50V X7R	1
C606	065G060347412K	Y	CAP CHIP 0603 0.47UF K 16V X7R	1
C603	065G060347412K	Y	CAP CHIP 0603 0.47UF K 16V X7R	1
C601	065G060347412K	Y	CAP CHIP 0603 0.47UF K 16V X7R	1
C602	065G060347412K	Y	CAP CHIP 0603 0.47UF K 16V X7R	1
C915	065G080510232K	A	CAP CHIP 0805 1000pF K 50V X7R	2nd source
C915	065G080510232K	Y	CAP CHIP 0805 1N 50V X7R +/-10%	1
C912	065G080510432K	3	CAP CHIP 0805 100N 50V X7R +/-10%	2nd source
C912	065G080510432K	Y	CAP CHIP 0805 100N 50V X7R +/-10%	1
C927	065G080510522K	3	CAP CHIP 0805 1U 25V X7R +/-10%	2nd source
C609	065G080510522K	3	CAP CHIP 0805 1U 25V X7R +/-10%	1
C608	065G080510522K	3	CAP CHIP 0805 1U 25V X7R +/-10%	1
C927	065G080510522K	T	CAP CHIP 0805 1UF K 25V X7R	1
C917	065G120610272K	T	CAP CHIP 1206 1000PF 500V X7R	2nd source
C916	065G120610272K	T	CAP CHIP 1206 1000PF 500V X7R	2nd source
C916	065G120610272K	Y	CAP CHIP 1206 1NF K 500V X7R	1
C917	065G120610272K	Y	CAP CHIP 1206 1NF K 500V X7R	1
C919	065G120610272K	Y	CAP CHIP 1206 1NF K 500V X7R	1
	AD91603YY1AIJ		POWER BOARD FOR AI	1
CN901	006G 31500		EYELET	2
	040G 45762420A		LABEL 25x6mm	1
IC903	056G 158 10	T	IC AS431AZTR-E1 TO-92	2nd source
IC903	056G 158 12		KIA431A-AT/P TO-92	1
Q904	057G 530503	T	2SD1207T	2nd source
Q904	057G 761 16		TRA KTD1028 KEC	1
R906	061G152M10452T		RST MOFR 100KOHM +-5% 2WS	1
R906	061G152M10452T	XZ	RST MOFR 100KOHM +-5% 2WS XIANZHENG	2nd source
R924	061G152M33852T		RST MOFR 0.33 OHM +-5% 2WS	1
R915	061G152M68152T		RST MOFR 680 OHM +-5% 2WS	1
R911	061G152M68152T		RST MOFR 680 OHM +-5% 2WS	1
C911	065G 2K152 2T6213		CAP CER 1500PF K 2KV	2nd source
C911	065G 2K152 2T6921		CAP CER 1500pF K 2KV Y5P	1
C920	067G 2046812KT		CS CAP 680uF 10V 8*11 mm	1
C913	067G215S2207RT		EC 22uF 50V 5*11mm	2nd source
C913	067G215Y2207KT		CAP 105°C 22UF M 50V KINGNICH	1
FB902	071G 55 9	T	FERRITE BEAD	1
FB602	071G 55 9	T	FERRITE BEAD	1
FB901	071G 55 29		FERRITE BEAD	1
F903	084G 56 4	B	FUSE 4A 250V	1
F902	084G 56 4	B	FUSE 4A 250V	1
F901	084G 56 4	B	FUSE 4A 250V	1
F901	084G 56 4W		FUSE 4.0A 250V	2nd source
F902	084G 56 4W		FUSE 4.0A 250V	2nd source
ZD901	093G 3952152T		TZX18B	1

D903	093G 6026T52T	RECTIFIER DIODE FR107	1
D904	093G 6038T52T	FR103	1
D903	093G110050152T	DIODE PR1007 1A/1000V 500ns DO-41	2nd source
J601	095G 90 23	JUMPER WIRE	1
J602	095G 90 23	JUMPER WIRE	1
J603	095G 90 23	JUMPER WIRE	1
J604	095G 90 23	JUMPER WIRE	1
J605	095G 90 23	JUMPER WIRE	1
J909	095G 90 23	JUMPER WIRE	1
J908	095G 90 23	JUMPER WIRE	1
J910	095G 90 23	JUMPER WIRE	1
J911	095G 90 23	JUMPER WIRE	1
J912	095G 90 23	JUMPER WIRE	1
J921	095G 90 23	JUMPER WIRE	1
J913	095G 90 23	JUMPER WIRE	1
J907	095G 90 23	JUMPER WIRE	1
J906	095G 90 23	JUMPER WIRE	1
J607	095G 90 23	JUMPER WIRE	1
J608	095G 90 23	JUMPER WIRE	1
J806	095G 90 23	JUMPER WIRE	1
J901	095G 90 23	JUMPER WIRE	1
J902	095G 90 23	JUMPER WIRE	1
J606	095G 90 23	JUMPER WIRE	1
J903	095G 90 23	JUMPER WIRE	1
J904	095G 90 23	JUMPER WIRE	1
J905	095G 90 23	JUMPER WIRE	1
E715	715G2892P01020001C	POWER PCB 122X184X1.6MM FR-1 S/S 1OZ	1
E715	715G2892P01020001M	POWER PCB 122X184X1.6MM FR-1 S/S 1OZ	2nd source
E715	715G2892P01020001S	POWER PCB 122X184X1.6MM FR-1 S/S 1OZ	2nd source
	LNPCA9361XYY1J	CONVERTOR BOARD G3918-P01-X-X-5-100105	1
C813	067G 4151017KV	EC 100uF 50V ED 8*12	2nd source
C813	067G 4151017LV	EC 100uF 20% 50V RZY 8*11.5	1
C804	067G 415330 9K	EC 33UF 20% 100V ED 8*12	2nd source
C804	067G 415330 9L	EC 33UF 20% 100V RZW 8*11.5	1
CN802	311GB254A02AAF	PIN HEADER 2.54MM 2P	1
CN801	311GB254A05AAF	PIN HEADER 2.54MM 5P	1
	LNA9361XYY1SMTJ	CONVERTOR BOARD FOR SMT	1
CN803	033G801910Y H	FPC CONN. 0.5mm SMT 10P	1
	040G 45762412B	CBPC LABEL	1
IC801	056G 379185	AC/DC CONVERTER TA9690GN-A1-0-TR SOP-24	1
Q801	057G 763 92	FET P8008HV 4A/80V SOP-8	1
R823	061G0603000 JF	RST CHIPR MAX 0R05 1/10W FENGHUA	1
R823	061G0603000 JY	RST CHIPR MAX0R05 1/10W YAGEO	2nd source
R814	061G0603100 JF	RST CHIPR 10 OHM 5% 1/10W FENGHUA	1
R807	061G0603100 JF	RST CHIPR 10 OHM 5% 1/10W FENGHUA	1
R807	061G0603100 JT	RST CHIP 10R 1/10W 5% TZAI YUAN	2nd source
R812	061G0603101 JF	RST CHIPR 100 OHM +5% 1/10W FENGHUA	1
R845	061G0603101 JF	RST CHIPR 100 OHM +5% 1/10W FENGHUA	1
R845	061G0603101 JY	RST CHIPR 100 OHM +5% 1/10W YAGEO	2nd source

R812	061G0603101 JY	RST CHIPR 100 OHM +-5% 1/10W YAGEO	2nd source
R810	061G0603102 JT	RST CHIP 1K 1/10W 5% TZAI YUAN	1
R813	061G0603103 JF	RST CHIPR 10K OHM +-5% 1/10W FENGHUA	1
R806	061G0603103 JF	RST CHIPR 10K OHM +-5% 1/10W FENGHUA	1
R813	061G0603103 JT	RST CHIP 10K 1/10W 5% TZAI YUAN	2nd source
R806	061G0603103 JT	RST CHIP 10K 1/10W 5% TZAI YUAN	2nd source
R809	061G0603104 JT	RST CHIP 100K 1/10W 5% TZAI YUAN	1
R833	061G0603109 JY	RST CHIPR 1 OHM +-5% 1/10W YAGEO	1
R832	061G0603109 JY	RST CHIPR 1 OHM +-5% 1/10W YAGEO	1
R831	061G0603109 JY	RST CHIPR 1 OHM +-5% 1/10W YAGEO	1
R830	061G0603109 JY	RST CHIPR 1 OHM +-5% 1/10W YAGEO	1
R829	061G0603109 JY	RST CHIPR 1 OHM +-5% 1/10W YAGEO	1
R828	061G0603109 JY	RST CHIPR 1 OHM +-5% 1/10W YAGEO	1
R827	061G0603109 JY	RST CHIPR 1 OHM +-5% 1/10W YAGEO	1
R826	061G0603109 JY	RST CHIPR 1 OHM +-5% 1/10W YAGEO	1
R805	061G0603124 JF	RST CHIPR 120KOHM 5% 1/10W FENGHUA	1
R805	061G0603124 JY	RST CHIPR 120KOHM 1/16W YAGEO	2nd source
R842	061G06031503FF	RST CHIPR 150KOHM +-1% 1/10W FENGHUA	1
R804	061G06032702FF	RST CHIPR 27KOHM +-1% 1/10W FENGHUA	1
R824	061G06034302FF	RST CHIPR 43KOHM +-1% 1/10W FENGHUA	1
R822	061G08051004FF	RST CHIPR 1 MOHM +-1% 1/8W FENGHUA	2nd source
R822	061G08051004FT	RST CHIP R 1 MOHM +-1% 1/8W	1
R825	061G1206000 JF	RST CHIPR MAX0R05 1/4W FENGHUA	1
F801	061G12060004JF	RST CHIPR MAX0R05 4A 1/4W FENGHUA	1
R801	061G1206308 JF	RST CHIPR 0.3 OHM +-5% 1/4W FENGHUA	1
R802	061G1206308 JF	RST CHIPR 0.3 OHM +-5% 1/4W FENGHUA	1
C814	065G060310131J Y	CAP CHIP 0603 100P 50V NPO +/-5%	1
C805	065G060347412K 3	CAP CHIP 0603 0.47uF K 16V X7R	2nd source
C805	065G060347412K T	CAP CHIP 0603 0.47UF K 16V X7R	1
C805	065G060347412K Y	CAP CHIP 0603 0.47UF K 16V X7R	2nd source
C803	065G080510432K F	CAP CHIP 0805 0.1UF K 50V X7R	1
C801	065G080510432K F	CAP CHIP 0805 0.1UF K 50V X7R	1
C803	065G080510432K Y	CAP CHIP 0805 100N 50V X7R +/-10%	2nd source
C801	065G080510432K Y	CAP CHIP 0805 100N 50V X7R +/-10%	2nd source
C807	065G080522512K T	CAP CHIP 0805 2.2UF K 16V X7R	1
C806	065G080522522K M	MLCC 0805 CAP 2.2uF 25V X7R	2nd source
C806	065G080522522K T	CAP CHIP 0805 2.2UF K 25V X7R	1
C806	065G080522522K Y	CAP CHIP 0805 2.2UF K 25V X7R	2nd source
L801	073G253S 90 S	SMD CHOKE 22uH 3A SLG-1004R-220 HF	2nd source
L801	073G253S 90 X	SMD CHOKE 22uH 3A HF	1
L801	073G253S 90 DN	SMD CHOKE 22uH 3A LZ.38220.B1P HF	2nd source
ZD801	093G 60S932 T	DIODE SK310B DO-214AA	1
	715G3918P02000004F	CONVERTER PCB 45X80X1.6MM FR-4 D/S 1OZ	1
	Q51G 6 4509	GLUE_RTV	1
HS3	Q90G6295 3	HEAT SINK	1
T901	S80GL22T3V1	XFMR POWER 490uH TPV-PT	2nd source
	AM1G1740 12 47 CR3	SCREW	3
	AM1G1740 12 47 CR3	SCREW	1

CN402	033G3802 6B Y	CONN 6PIN 2.0	2nd source
CN402	033G3802 6B Y L	WAFER	1
CN701	033G3802 9B Y	CONNECTOR 9P 2.0	2nd source
CN701	033G3802 9B Y L	CONN 2.0 9P	1
CN408	033G801930F CH JS	CONNECTOR	1
	040G 45762412B	CBPC LABEL	1
R707	061G152M479 64 SY	RST MOFR 4.7 OHM +-5% 2WS FUTABA	1
CN101	088G 35315F HD	D-SUB CONN F ATTACHED SCREW	1
CN102	088G 35424F HN	DVI CONN + SHIELD 24P F WITH SCREW	2nd source
CN102	088G 35424F XH	DVI 24PIN CONN F ATTACHED SCREW	1
X401	093G 2251B J	CRYSTAL 12MHZ NXS12.000AC30F-KAB10	1
	AIG9NTA1QYJ	MAIN BOARD FOR AI	1
C716	067G 3051007PB	EC 10UF 20% 50V 5*11	1
C705	067G 3051013PB	EC 105°C 100uF M 16V 5*11mm	1
C702	067G 3051013PB	EC 105°C 100uF M 16V 5*11mm	1
C433	067G 3051013PB	EC 105°C 100uF M 16V 5*11mm	1
C710	067G 3051013PB	EC 105°C 100uF M 16V 5*11mm	1
	SMT9NTA1QYJ	MAIN BOARD FOR SMT	1
U401	056G 562280	IC NT68668FG QFP-128	1
U703	056G 563206	IC LDO AP2114H-1.8TRG1 1A/1.8V SOT-223	1
U701	056G 563224	IC LDO AP2114H-3.3TRG1 1A/3.3V SOT-223	1
U107	056G 662504	IC ESD AOZ8902CIL 24KV 5A SOT23-6 AOS	1
U106	056G 662504	IC ESD AOZ8902CIL 24KV 5A SOT23-6 AOS	1
U104	056G 662504	IC ESD AOZ8902CIL 24KV 5A SOT23-6 AOS	1
U103	056G 662504	IC ESD AOZ8902CIL 24KV 5A SOT23-6 AOS	1
U102	056G 662504	IC ESD AOZ8902CIL 24KV 5A SOT23-6 AOS	1
U101	056G1133 34	M24C02-WMN6TP	1
U105	056G1133 34	M24C02-WMN6TP	1
U402	056G2233 11	IC Pm25LD020C-SCE SIOC-8(150mil) 2M	1
Q706	057G 417 12 T	KEC 2N3904S-RTK/PS	1
Q701	057G 417 12 T	KEC 2N3904S-RTK/PS	1
Q401	057G 417 13 T	KEC 2N3906S-RTK/PS	1
Q402	057G 417 13 T	KEC 2N3906S-RTK/PS	1
Q705	057G 763940	MOSFET AO3401A SOT-23	1
R407	061G0402000 JF	RST CHIPR MAX0R05 1/16W FENGHUA	2nd source
R406	061G0402000 JF	RST CHIPR MAX0R05 1/16W FENGHUA	2nd source
R118	061G0402000 JF	RST CHIPR MAX0R05 1/16W FENGHUA	2nd source
R117	061G0402000 JF	RST CHIPR MAX0R05 1/16W FENGHUA	2nd source
R110	061G0402000 JF	RST CHIPR MAX0R05 1/16W FENGHUA	2nd source
R109	061G0402000 JF	RST CHIPR MAX0R05 1/16W FENGHUA	2nd source
R104	061G0402000 JF	RST CHIPR MAX0R05 1/16W FENGHUA	2nd source
R103	061G0402000 JF	RST CHIPR MAX0R05 1/16W FENGHUA	2nd source
R407	061G0402000 JT	RST CHIPR MAX0R05 1/16W TZAI YUAN	1
R406	061G0402000 JT	RST CHIPR MAX0R05 1/16W TZAI YUAN	1
R118	061G0402000 JT	RST CHIPR MAX0R05 1/16W TZAI YUAN	1
R117	061G0402000 JT	RST CHIPR MAX0R05 1/16W TZAI YUAN	1
R110	061G0402000 JT	RST CHIPR MAX0R05 1/16W TZAI YUAN	1
R109	061G0402000 JT	RST CHIPR MAX0R05 1/16W TZAI YUAN	1
R104	061G0402000 JT	RST CHIPR MAX0R05 1/16W TZAI YUAN	1
R103	061G0402000 JT	RST CHIPR MAX0R05 1/16W TZAI YUAN	1

R409	061G0402000 JT	RST CHIPR MAX0R05 1/16W TZAI YUAN	1
R410	061G0402000 JT	RST CHIPR MAX0R05 1/16W TZAI YUAN	1
R711	061G0402000 JT	RST CHIPR MAX0R05 1/16W TZAI YUAN	1
R141	061G0402100 JF	RST CHIPR 10 OHM +5% 1/16W FENGHUA	2nd source
R140	061G0402100 JF	RST CHIPR 10 OHM +5% 1/16W FENGHUA	2nd source
R139	061G0402100 JF	RST CHIPR 10 OHM +5% 1/16W FENGHUA	2nd source
R138	061G0402100 JF	RST CHIPR 10 OHM +5% 1/16W FENGHUA	2nd source
R137	061G0402100 JF	RST CHIPR 10 OHM +5% 1/16W FENGHUA	2nd source
R136	061G0402100 JF	RST CHIPR 10 OHM +5% 1/16W FENGHUA	2nd source
R135	061G0402100 JF	RST CHIPR 10 OHM +5% 1/16W FENGHUA	2nd source
R134	061G0402100 JF	RST CHIPR 10 OHM +5% 1/16W FENGHUA	2nd source
R141	061G0402100 JT	RST CHIP 10R 1/16W 5% TZAI YUAN	1
R140	061G0402100 JT	RST CHIP 10R 1/16W 5% TZAI YUAN	1
R139	061G0402100 JT	RST CHIP 10R 1/16W 5% TZAI YUAN	1
R138	061G0402100 JT	RST CHIP 10R 1/16W 5% TZAI YUAN	1
R137	061G0402100 JT	RST CHIP 10R 1/16W 5% TZAI YUAN	1
R136	061G0402100 JT	RST CHIP 10R 1/16W 5% TZAI YUAN	1
R135	061G0402100 JT	RST CHIP 10R 1/16W 5% TZAI YUAN	1
R134	061G0402100 JT	RST CHIP 10R 1/16W 5% TZAI YUAN	1
R128	061G0402101 JF	RST CHIPR 100 OHM +5% 1/16W FENGHUA	2nd source
R127	061G0402101 JF	RST CHIPR 100 OHM +5% 1/16W FENGHUA	2nd source
R124	061G0402101 JF	RST CHIPR 100 OHM +5% 1/16W FENGHUA	2nd source
R123	061G0402101 JF	RST CHIPR 100 OHM +5% 1/16W FENGHUA	2nd source
R121	061G0402101 JF	RST CHIPR 100 OHM +5% 1/16W FENGHUA	2nd source
R119	061G0402101 JF	RST CHIPR 100 OHM +5% 1/16W FENGHUA	2nd source
R113	061G0402101 JF	RST CHIPR 100 OHM +5% 1/16W FENGHUA	2nd source
R111	061G0402101 JF	RST CHIPR 100 OHM +5% 1/16W FENGHUA	2nd source
R108	061G0402101 JF	RST CHIPR 100 OHM +5% 1/16W FENGHUA	2nd source
R106	061G0402101 JF	RST CHIPR 100 OHM +5% 1/16W FENGHUA	2nd source
R105	061G0402101 JF	RST CHIPR 100 OHM +5% 1/16W FENGHUA	2nd source
R102	061G0402101 JF	RST CHIPR 100 OHM +5% 1/16W FENGHUA	2nd source
R101	061G0402101 JF	RST CHIPR 100 OHM +5% 1/16W FENGHUA	2nd source
R129	061G0402101 JF	RST CHIPR 100 OHM +5% 1/16W FENGHUA	2nd source
R431	061G0402101 JF	RST CHIPR 100 OHM +5% 1/16W FENGHUA	2nd source
R439	061G0402101 JF	RST CHIPR 100 OHM +5% 1/16W FENGHUA	2nd source
R703	061G0402101 JF	RST CHIPR 100 OHM +5% 1/16W FENGHUA	1
R124	061G0402101 JT	RST CHIP 100R 1/16W 5% TZAI YUAN	1
R127	061G0402101 JT	RST CHIP 100R 1/16W 5% TZAI YUAN	1
R128	061G0402101 JT	RST CHIP 100R 1/16W 5% TZAI YUAN	1
R129	061G0402101 JT	RST CHIP 100R 1/16W 5% TZAI YUAN	1
R431	061G0402101 JT	RST CHIP 100R 1/16W 5% TZAI YUAN	1
R439	061G0402101 JT	RST CHIP 100R 1/16W 5% TZAI YUAN	1
R703	061G0402101 JT	RST CHIP 100R 1/16W 5% TZAI YUAN	2nd source
R712	061G0402101 JT	RST CHIP 100R 1/16W 5% TZAI YUAN	1
R798	061G0402101 JT	RST CHIP 100R 1/16W 5% TZAI YUAN	1
R123	061G0402101 JT	RST CHIP 100R 1/16W 5% TZAI YUAN	1
R101	061G0402101 JT	RST CHIP 100R 1/16W 5% TZAI YUAN	1
R102	061G0402101 JT	RST CHIP 100R 1/16W 5% TZAI YUAN	1
R105	061G0402101 JT	RST CHIP 100R 1/16W 5% TZAI YUAN	1
R106	061G0402101 JT	RST CHIP 100R 1/16W 5% TZAI YUAN	1

R108	061G0402101 JT	RST CHIP 100R 1/16W 5% TZAI YUAN	1
R111	061G0402101 JT	RST CHIP 100R 1/16W 5% TZAI YUAN	1
R113	061G0402101 JT	RST CHIP 100R 1/16W 5% TZAI YUAN	1
R119	061G0402101 JT	RST CHIP 100R 1/16W 5% TZAI YUAN	1
R121	061G0402101 JT	RST CHIP 100R 1/16W 5% TZAI YUAN	1
R424	061G0402102 JF	RST CHIPR 1KOHM +-5% 1/16W FENGHUA	2nd source
R424	061G0402102 JT	RST CHIP 1K 1/16W 5% TZAI YUAN	1
R799	061G0402103 JF	RST CHIPR 10KOHM +-5% 1/16W FENGHUA	2nd source
R714	061G0402103 JF	RST CHIPR 10KOHM +-5% 1/16W FENGHUA	2nd source
R704	061G0402103 JF	RST CHIPR 10KOHM +-5% 1/16W FENGHUA	2nd source
R444	061G0402103 JF	RST CHIPR 10KOHM +-5% 1/16W FENGHUA	2nd source
R429	061G0402103 JF	RST CHIPR 10KOHM +-5% 1/16W FENGHUA	2nd source
R130	061G0402103 JF	RST CHIPR 10KOHM +-5% 1/16W FENGHUA	1
R130	061G0402103 JT	RST CHIP 10K 1/16W 5% TZAI YUAN	2nd source
R429	061G0402103 JT	RST CHIP 10K 1/16W 5% TZAI YUAN	1
R444	061G0402103 JT	RST CHIP 10K 1/16W 5% TZAI YUAN	1
R704	061G0402103 JT	RST CHIP 10K 1/16W 5% TZAI YUAN	1
R714	061G0402103 JT	RST CHIP 10K 1/16W 5% TZAI YUAN	1
R799	061G0402103 JT	RST CHIP 10K 1/16W 5% TZAI YUAN	1
R415	061G0402104 JF	RST CHIPR 100KOHM +-5% 1/16W FENGHUA	2nd source
R422	061G0402104 JF	RST CHIPR 100KOHM +-5% 1/16W FENGHUA	2nd source
R715	061G0402104 JF	RST CHIPR 100KOHM +-5% 1/16W FENGHUA	2nd source
R415	061G0402104 JT	RST CHIP 100K 1/16W 5% TZAI YUAN	1
R422	061G0402104 JT	RST CHIP 100K 1/16W 5% TZAI YUAN	1
R715	061G0402104 JT	RST CHIP 100K 1/16W 5% TZAI YUAN	1
R432	061G0402105 JF	RST CHIPR 1MOHM 5% 1/16W FENGHUA	1
R432	061G0402105 JT	RST CHIP R 1Mohm 1/16W +/-5% TZAI YUAN	2nd source
R125	061G0402222 JF	RST CHIPR 2.2KOHM +-5% 1/16W FENGHUA	2nd source
R126	061G0402222 JF	RST CHIPR 2.2KOHM +-5% 1/16W FENGHUA	2nd source
R125	061G0402222 JT	RST CHIP 2K2 1/16W 5% TZAI YUAN	1
R126	061G0402222 JT	RST CHIP 2K2 1/16W 5% TZAI YUAN	1
R413	061G0402223 JF	RST CHIPR 22KOHM 5% 1/16W FENGHUA	1
R411	061G0402223 JF	RST CHIPR 22KOHM 5% 1/16W FENGHUA	1
R719	061G0402223 JF	RST CHIPR 22KOHM 5% 1/16W FENGHUA	2nd source
R701	061G0402223 JF	RST CHIPR 22KOHM 5% 1/16W FENGHUA	2nd source
R427	061G0402223 JF	RST CHIPR 22KOHM 5% 1/16W FENGHUA	2nd source
R425	061G0402223 JF	RST CHIPR 22KOHM 5% 1/16W FENGHUA	2nd source
R133	061G0402223 JF	RST CHIPR 22KOHM 5% 1/16W FENGHUA	2nd source
R116	061G0402223 JF	RST CHIPR 22KOHM 5% 1/16W FENGHUA	2nd source
R116	061G0402223 JT	RST CHIP 22K 1/16W 5% TZAI YUAN	1
R133	061G0402223 JT	RST CHIP 22K 1/16W 5% TZAI YUAN	1
R425	061G0402223 JT	RST CHIP 22K 1/16W 5% TZAI YUAN	1
R427	061G0402223 JT	RST CHIP 22K 1/16W 5% TZAI YUAN	1
R701	061G0402223 JT	RST CHIP 22K 1/16W 5% TZAI YUAN	1
R719	061G0402223 JT	RST CHIP 22K 1/16W 5% TZAI YUAN	1
R423	061G0402224 JT	RST CHIP 220K 1/16W 5% TZAI YUAN	1
R416	061G0402224 JT	RST CHIP 220K 1/16W 5% TZAI YUAN	1
R416	061G0402224 JY	RST CHIPR 220KOHM +-5% 1/16W YAGEO	2nd source
R423	061G0402224 JY	RST CHIPR 220KOHM +-5% 1/16W YAGEO	2nd source
R401	061G0402392 JF	RST CHIPR 3.9KOHM +-5% 1/16W FENGHUA	2nd source



R404	061G0402392 JF	RST CHIPR 3.9KOHM +-5% 1/16W FENGHUA	2nd source
R405	061G0402392 JF	RST CHIPR 3.9KOHM +-5% 1/16W FENGHUA	2nd source
R401	061G0402392 JT	RST CHIP R 3K9 +/-5% 1/16W TZAI YUAN	1
R404	061G0402392 JT	RST CHIP R 3K9 +/-5% 1/16W TZAI YUAN	1
R405	061G0402392 JT	RST CHIP R 3K9 +/-5% 1/16W TZAI YUAN	1
R419	061G0402394 JY	RST CHIP R 390K +/-5% 1/16W YAGEO	1
R408	061G04024700FT	RST CHIP 470R 1/16W 1%	1
R408	061G04024700FY	RST CHIP 470R 1/16W 1%	2nd source
R142	061G0402471 JF	RST CHIPR 470 OHM 5% 1/16W FENGHUA	2nd source
R142	061G0402471 JT	RST CHIP 470R 1/16W 5% TZAI YUAN	1
R114	061G0402472 JF	RST CHIPR 4.7KOHM +-5% 1/16W FENGHUA	2nd source
R115	061G0402472 JF	RST CHIPR 4.7KOHM +-5% 1/16W FENGHUA	2nd source
R131	061G0402472 JF	RST CHIPR 4.7KOHM +-5% 1/16W FENGHUA	2nd source
R132	061G0402472 JF	RST CHIPR 4.7KOHM +-5% 1/16W FENGHUA	2nd source
R702	061G0402472 JF	RST CHIPR 4.7KOHM +-5% 1/16W FENGHUA	2nd source
R721	061G0402472 JF	RST CHIPR 4.7KOHM +-5% 1/16W FENGHUA	2nd source
R114	061G0402472 JT	RST CHIP 4K7 1/16W 5% TZAI YUAN	1
R115	061G0402472 JT	RST CHIP 4K7 1/16W 5% TZAI YUAN	1
R131	061G0402472 JT	RST CHIP 4K7 1/16W 5% TZAI YUAN	1
R132	061G0402472 JT	RST CHIP 4K7 1/16W 5% TZAI YUAN	1
R702	061G0402472 JT	RST CHIP 4K7 1/16W 5% TZAI YUAN	1
R721	061G0402472 JT	RST CHIP 4K7 1/16W 5% TZAI YUAN	1
R120	061G04027509FF	RST CHIPR 75 OHM +-1% 1/16W FENGHUA	2nd source
R112	061G04027509FF	RST CHIPR 75 OHM +-1% 1/16W FENGHUA	2nd source
R107	061G04027509FF	RST CHIPR 75 OHM +-1% 1/16W FENGHUA	2nd source
R120	061G04027509FT	RST CHIP 75R 1/16W 1%	1
R112	061G04027509FT	RST CHIP 75R 1/16W 1%	1
R107	061G04027509FT	RST CHIP 75R 1/16W 1%	1
R122	061G0603000 JF	RST CHIPR MAX 0R05 1/10W FENGHUA	2nd source
R122	061G0603000 JT	RST CHIP MAX 0R05 1/10W TZAI YUAN	1
R418	061G0603102 JF	RST CHIPR 1K OHM +-5% 1/10W FENGHUA	2nd source
R418	061G0603102 JT	RST CHIP 1K 1/10W 5% TZAI YUAN	1
R417	061G0603471 JF	RST CHIPR 470OHM +-5% 1/10W FENGHUA	2nd source
R417	061G0603471 JT	RST CHIPR 470OHM +-5% 1/10W TZAI YUAN	1
FB701	061G0805000 JT	RST CHIPR 0 OHM +- 5% 1/8W TZAI YUAN	1
R448	061G1206221 JF	RST CHIPR 220 OHM +-5% 1/4W FENGHUA	2nd source
R449	061G1206221 JF	RST CHIPR 220 OHM +-5% 1/4W FENGHUA	2nd source
R449	061G1206221 JT	RST CHIPR 220 OHM +-5% 1/4W TZAI YUAN	1
R448	061G1206221 JT	RST CHIPR 220 OHM +-5% 1/4W TZAI YUAN	1
C120	065G040210232K T	CAP CHIP 0402 1000PF 50V X7R	1
C120	065G040210232K Y	CAP CHIP 0402 1N 50V X7R +/-10%	2nd source
C701	065G040210425K 3	CAP CHIP 0402 100N 25V X5R +/-10%	2nd source
C703	065G040210425K 3	CAP CHIP 0402 100N 25V X5R +/-10%	2nd source
C704	065G040210425K 3	CAP CHIP 0402 100N 25V X5R +/-10%	2nd source
C706	065G040210425K 3	CAP CHIP 0402 100N 25V X5R +/-10%	2nd source
C707	065G040210425K 3	CAP CHIP 0402 100N 25V X5R +/-10%	2nd source
C712	065G040210425K 3	CAP CHIP 0402 100N 25V X5R +/-10%	2nd source
C713	065G040210425K 3	CAP CHIP 0402 100N 25V X5R +/-10%	2nd source
C113	065G040210425K 3	CAP CHIP 0402 100N 25V X5R +/-10%	2nd source
C114	065G040210425K 3	CAP CHIP 0402 100N 25V X5R +/-10%	2nd source

C434	065G040210425K	3	CAP CHIP 0402 100N 25V X5R +/-10%	2nd source
C427	065G040210425K	3	CAP CHIP 0402 100N 25V X5R +/-10%	2nd source
C425	065G040210425K	3	CAP CHIP 0402 100N 25V X5R +/-10%	2nd source
C422	065G040210425K	3	CAP CHIP 0402 100N 25V X5R +/-10%	2nd source
C419	065G040210425K	3	CAP CHIP 0402 100N 25V X5R +/-10%	2nd source
C418	065G040210425K	3	CAP CHIP 0402 100N 25V X5R +/-10%	2nd source
C417	065G040210425K	3	CAP CHIP 0402 100N 25V X5R +/-10%	2nd source
C412	065G040210425K	3	CAP CHIP 0402 100N 25V X5R +/-10%	2nd source
C411	065G040210425K	3	CAP CHIP 0402 100N 25V X5R +/-10%	2nd source
C410	065G040210425K	3	CAP CHIP 0402 100N 25V X5R +/-10%	2nd source
C409	065G040210425K	3	CAP CHIP 0402 100N 25V X5R +/-10%	2nd source
C408	065G040210425K	3	CAP CHIP 0402 100N 25V X5R +/-10%	2nd source
C407	065G040210425K	3	CAP CHIP 0402 100N 25V X5R +/-10%	2nd source
C405	065G040210425K	3	CAP CHIP 0402 100N 25V X5R +/-10%	2nd source
C403	065G040210425K	3	CAP CHIP 0402 100N 25V X5R +/-10%	2nd source
C402	065G040210425K	3	CAP CHIP 0402 100N 25V X5R +/-10%	2nd source
C401	065G040210425K	3	CAP CHIP 0402 100N 25V X5R +/-10%	2nd source
C119	065G040210425K	3	CAP CHIP 0402 100N 25V X5R +/-10%	2nd source
C118	065G040210425K	3	CAP CHIP 0402 100N 25V X5R +/-10%	2nd source
C117	065G040210425K	3	CAP CHIP 0402 100N 25V X5R +/-10%	2nd source
C115	065G040210425K	3	CAP CHIP 0402 100N 25V X5R +/-10%	2nd source
C713	065G040210425K	T	CAP CHIP 0402 0.1uF 25V X5R	1
C712	065G040210425K	T	CAP CHIP 0402 0.1uF 25V X5R	1
C707	065G040210425K	T	CAP CHIP 0402 0.1uF 25V X5R	1
C706	065G040210425K	T	CAP CHIP 0402 0.1uF 25V X5R	1
C704	065G040210425K	T	CAP CHIP 0402 0.1uF 25V X5R	1
C703	065G040210425K	T	CAP CHIP 0402 0.1uF 25V X5R	1
C701	065G040210425K	T	CAP CHIP 0402 0.1uF 25V X5R	1
C434	065G040210425K	T	CAP CHIP 0402 0.1uF 25V X5R	1
C427	065G040210425K	T	CAP CHIP 0402 0.1uF 25V X5R	1
C425	065G040210425K	T	CAP CHIP 0402 0.1uF 25V X5R	1
C422	065G040210425K	T	CAP CHIP 0402 0.1uF 25V X5R	1
C419	065G040210425K	T	CAP CHIP 0402 0.1uF 25V X5R	1
C418	065G040210425K	T	CAP CHIP 0402 0.1uF 25V X5R	1
C417	065G040210425K	T	CAP CHIP 0402 0.1uF 25V X5R	1
C412	065G040210425K	T	CAP CHIP 0402 0.1uF 25V X5R	1
C409	065G040210425K	T	CAP CHIP 0402 0.1uF 25V X5R	1
C410	065G040210425K	T	CAP CHIP 0402 0.1uF 25V X5R	1
C411	065G040210425K	T	CAP CHIP 0402 0.1uF 25V X5R	1
C405	065G040210425K	T	CAP CHIP 0402 0.1uF 25V X5R	1
C407	065G040210425K	T	CAP CHIP 0402 0.1uF 25V X5R	1
C408	065G040210425K	T	CAP CHIP 0402 0.1uF 25V X5R	1
C113	065G040210425K	T	CAP CHIP 0402 0.1uF 25V X5R	1
C114	065G040210425K	T	CAP CHIP 0402 0.1uF 25V X5R	1
C115	065G040210425K	T	CAP CHIP 0402 0.1uF 25V X5R	1
C117	065G040210425K	T	CAP CHIP 0402 0.1uF 25V X5R	1
C118	065G040210425K	T	CAP CHIP 0402 0.1uF 25V X5R	1
C119	065G040210425K	T	CAP CHIP 0402 0.1uF 25V X5R	1
C401	065G040210425K	T	CAP CHIP 0402 0.1uF 25V X5R	1
C402	065G040210425K	T	CAP CHIP 0402 0.1uF 25V X5R	1

C403	065G040210425K	T	CAP CHIP 0402 0.1uF 25V X5R	1
C406	065G0402105A5K	3	CAP CHIP 0402 1UF K 10V X5R	2nd source
C414	065G0402105A5K	3	CAP CHIP 0402 1UF K 10V X5R	2nd source
C415	065G0402105A5K	3	CAP CHIP 0402 1UF K 10V X5R	2nd source
C424	065G0402105A5K	3	CAP CHIP 0402 1UF K 10V X5R	2nd source
C406	065G0402105A5K	T	CAP CHIP 0402 1uF K 10V X5R	1
C414	065G0402105A5K	T	CAP CHIP 0402 1uF K 10V X5R	1
C415	065G0402105A5K	T	CAP CHIP 0402 1uF K 10V X5R	1
C424	065G0402105A5K	T	CAP CHIP 0402 1uF K 10V X5R	1
C181	065G040222031J	3	CAP CHIP 0402 22P 50V NPO +/-5%	2nd source
C182	065G040222031J	3	CAP CHIP 0402 22P 50V NPO +/-5%	2nd source
C181	065G040222031J	T	CAP CHIP 0402 22PF 50V NPO	1
C182	065G040222031J	T	CAP CHIP 0402 22PF 50V NPO	1
C426	065G040222031J	Y	CAP CHIP 0402 22P 50V NPO +/-5%	1
C428	065G040222031J	Y	CAP CHIP 0402 22P 50V NPO +/-5%	1
C718	065G040222415K	A	CAP CHIP 0402 0.22UF K 16V X5R	2nd source
C715	065G040222415K	A	CAP CHIP 0402 0.22UF K 16V X5R	2nd source
C429	065G040222415K	A	CAP CHIP 0402 0.22UF K 16V X5R	2nd source
C116	065G040222415K	A	CAP CHIP 0402 0.22UF K 16V X5R	2nd source
C101	065G040222415K	A	CAP CHIP 0402 0.22UF K 16V X5R	2nd source
C718	065G040222415K	T	CAP CHIP 0402 220nF K 16V X5R	1
C715	065G040222415K	T	CAP CHIP 0402 220nF K 16V X5R	1
C429	065G040222415K	T	CAP CHIP 0402 220nF K 16V X5R	1
C116	065G040222415K	T	CAP CHIP 0402 220nF K 16V X5R	1
C101	065G040222415K	T	CAP CHIP 0402 220nF K 16V X5R	1
C110	065G040247312K	A	8.31HIP 0402 47nF K 16V X7R	2nd source
C108	065G040247312K	A	8.31HIP 0402 47nF K 16V X7R	2nd source
C107	065G040247312K	A	8.31HIP 0402 47nF K 16V X7R	2nd source
C105	065G040247312K	A	8.31HIP 0402 47nF K 16V X7R	2nd source
C104	065G040247312K	A	8.31HIP 0402 47nF K 16V X7R	2nd source
C102	065G040247312K	A	8.31HIP 0402 47nF K 16V X7R	2nd source
C110	065G040247312K	T	CAP CHIP 0402 0.047uF 16V X7R	1
C108	065G040247312K	T	CAP CHIP 0402 0.047uF 16V X7R	1
C107	065G040247312K	T	CAP CHIP 0402 0.047uF 16V X7R	1
C105	065G040247312K	T	CAP CHIP 0402 0.047uF 16V X7R	1
C104	065G040247312K	T	CAP CHIP 0402 0.047uF 16V X7R	1
C102	065G040247312K	T	CAP CHIP 0402 0.047uF 16V X7R	1
C103	065G040250931C	Y	CAP CHIP 0402 5PF 50V NPO +/-0.25pF	2nd source
C106	065G040250931C	Y	CAP CHIP 0402 5PF 50V NPO +/-0.25pF	2nd source
C109	065G040250931C	Y	CAP CHIP 0402 5PF 50V NPO +/-0.25pF	2nd source
C103	065G040250931J	A	CAP 0402 5PF J 50 NPO	1
C109	065G040250931J	A	CAP 0402 5PF J 50 NPO	1
C106	065G040250931J	A	CAP 0402 5PF J 50 NPO	1
C404	065G0805475A2K	T	CAP CHIP 4U7 10V X7R 10%	1
C413	065G0805475A2K	T	CAP CHIP 4U7 10V X7R 10%	1
C416	065G0805475A2K	T	CAP CHIP 4U7 10V X7R 10%	1
C421	065G0805475A2K	T	CAP CHIP 4U7 10V X7R 10%	1
C423	065G0805475A2K	T	CAP CHIP 4U7 10V X7R 10%	1
FB409	071G 56K121	M	CHIP BEAD	1
FB401	071G 56V301	M	CHIP BEAD 2012 300 OHM	1

FB402	071G 56V301 M	CHIP BEAD 2012 300 OHM	1
FB403	071G 56V301 M	CHIP BEAD 2012 300 OHM	1
FB404	071G 56V301 M	CHIP BEAD 2012 300 OHM	1
FB405	071G 56V301 M	CHIP BEAD 2012 300 OHM	1
FB408	071G 56V301 M	CHIP BEAD 2012 300 OHM	1
D101	093G 64 42 L	DIODE LBAV70LT1G SOT-23 LRC	1
D102	093G 64 42 L	DIODE LBAV70LT1G SOT-23 LRC	1
ZD102	093G 39GA01 T	RLZ5.6B	1
ZD101	093G 39GA01 T	RLZ5.6B	1
D402	093G 39S 24 T	RLZ 5.6B LLDS	1
D403	093G 39S 24 T	RLZ 5.6B LLDS	1
	715G3737M01000004L	MAIN PCB FR4 80x72x1.6mm DS	1
	J07G 1 S179	wooden pallet	1
	J07G 1 S181	wooden pallet	1
	J15G8B33501	main frame FOR CMO LED_audio_dvi	1
	J33G8B42 1 1C9073	KEY PAD	1
	J33G8B43AFR 1L	key pad holder	1
	J33G8B44AFR 1L	EAR PHONE STAND	1
	J33G8B46AFR 1L	web cam cover	1
	J34G8B50AEDB1B9073	bezel n941 FOR e941va	1
	J34G8B51AFRA7B9073	rear cover n941 for cmo led	1
	J34G8B52AED 1B9073	stand	1
	J34G8B53AED 1B9073	stand cover	1
	J34G8B54AED 1B9073	base-941	1
	J37G8B04 1	hinge	1
	J40G 19T61561A	ID LABEL e941Va EUR	2
	J40G POP61524A	USB LABEL N941S	1
	J40G POP61526A	LED LABEL	1
	J40G000361514A	Win7 EPEAT(S) EPA LABEL	1
	J41G780A61522A	QSG e941Va	1
	J44G6002 S171	PAPER PLATE	1
	J44G6002 S179	paper plate	1
	J44G9003210 35	CORNER PAPER	1
	J44G9909101	eps	1
	J44G9909201	eps	1
	J44G9909615 3A	CARTON	1
	J45G 77 6	PE PACKING	2
	J45G 88626 1 R	PE BAG FOR MONITOR	1
	J52G 1185A3A	BIG TAPE FOR CARTON	130
	J52G 1185A3B	BIG TAPE FOR CARTON	2nd source
	J52G6025800910	INSULATE SHEET	1
	J70G900261541A	CD MANUAL e941Va	1
	KEPCAJA9	key board	1
SW001	077G 5005A1 XL	DOME SWITCH 5 PCS	2
	SMTKEPCAJA9	key board for smt	1
CN001	033G8032 6F X	WAFER 6P 1.25MM	1
CN001	033G8032 6F HR	CONNECTOR	2nd source
R003	061G0603000 FT	RST CHIPR MAX 0R01 1/10W TZAI YUAN	2nd source
R003	061G0603000 JF	RST CHIPR MAX 0R05 1/10W FENGHUA	1

R005	061G0603100 1F	RST CHIPR 1 KOHM +-1% 1/10W	1
R002	061G0603200 1F	RST CHIPR 2 KOHM +-1% 1/10W	1
R004	061G0603200 1F	RST CHIPR 2 KOHM +-1% 1/10W	1
LED01	081G 14501 GP	LED GPTD1210YGC3-HB GUANGPU	1
E715	715G4007K01000004F	KEY PCB FR-4 106.5X14.5MM T1.6MM	2nd source
E715	715G4007K01000004L	KEY PCB FR-4 106.5X14.5MM T1.6MM	1
	Q12G6600 6	FOOT	4
	Q40G000161515A	CARTON LABEL	1
E08907	S89G179T30N521	FFC CABLE	1
E09517	S95G176T10544	FFC CABLE 10PIN 160MM P0.5	2nd source
	USB9QA1J	USB G3501-A-X-X-1-090113	1
CN501	033G3802 5B Y L	CONN 2.0 5P	1
CN502	088G 351 2B TN	USB CONN	2nd source
CN502	088G 3512B1 CL	USB CONN BLACK	1
	SMTUSB9QA1J	USB BOARD FOR SMT	1
C503	065G0603104 12	CER2 0603 X7R 16V 100N P	1
C501	065G060350931J F	CAP CHIP 0603 5PF J 50V NPO	1
C502	065G060350931J F	CAP CHIP 0603 5PF J 50V NPO	1
FB501	071G 56K121 M	CHIP BEAD	1
	715G3501 2	USB PCB 18X40X1.6MM FR-1 S/S 1OZ	1
	USB9QA7J	USB BOARD G2663-T01-X-X-1-100416	1
CN511	033G3802 5B YH L	CONNECTOR 5P 2.0	1
CN511	033G3802 5B YH W	WAFER	2nd source
CN512	088G 352 21CL	USB CONN TYPE A	1
E715	715G2663T01001001C	USB PCB 71X26X1.6MM FR-1 S/S 1OZ	1

## 10.2 Model: e941SA--T995NSNCWVA1UNJ

Location	Part number	Description	Remark
	040G 581 26704	SHIPPING LABEL	2nd source
	040G 581689 4A	BARCODE LABEL FOR 1	3
	040G 581909 1A	Protect label	1
	052G 1211 A	Conductive Tape 55mm *45mm *0.08mm (单导)	2
	052G 1211 B	Conductive Tape 85mm *40mm *0.09mm (单导)	1
	078G0025501 YA	SPK 4 OHM 2.5W 48X28 220 140 SUNLINK	1
	089G 17356X554	AUDIO CABLE	1
E08902	089G 725CAA DB	D-SUB CABLE	2nd source
E08902	089G 725GAA DB	D-SUB CABLE	2nd source
E08902	089G 725HAA DB	D-SUB CABLE	1
E08902	089G 725LAA DB	D-SUB CABLE	2nd source
E08907	089G179J30N521	FFC CABLE 30PIN P1.0 210mm	2nd source
E08907	089G179W30N521	FFC CABLE	2nd source
E08901	089G417A15N IS	AC POWER CORD 1500MM India+south africa	1
E09517	095G176J 10544	FFC CABLE --10 --160 --0.5	1
E09505	095G8014 5DH15	Wire harness 5P(2008)-5P(2008) 440MM	2nd source
E09505	095G8014 5XH15	Wire harness 5P(2008)-5P(2008) 440MM	1
E09508	095G8014 6DH52	HARNESS 6P(PLUG)-6P(A1253HA HR) 260MM	2nd source
E09508	095G8014 6WH52	HARNESS 6P(PLUG)-6P(A1253HA HR) 260MM	1

	0M1G 130 5120	SCREW	4
	0M1G1030 6120	SCREW M3X6	1
	0M1G1030 6120	SCREW M3X6	1
	0M1G1030 6120	SCREW M3X6	3
	0Q1G1030 6120	SCREW	1
	0Q1G1030 6120	SCREW	4
E750	750GMV190W3061N000	LCD TPM190A1-MWW3 R05A FQ TPV	1
	756GJ9CB AA072	mcu assy main board CBPC9NWA1QHJ	2nd source
U402	056G2233 11	IC Pm25LD020C-SCE SIOC-8(150mil) 2M	2nd source
SMTCR-U402	100GANV9002B11	E941Sa-E	2nd source
	CBPC9NWA1QHJ	Main board G3225-1-2-X-23-100401	1
	ADPC91603YY1J	POWER G2892-P01-020-X-2-100308	1
GND1	009G6005 1	GROUND TERMINAL	1
CN602	033G3802 4 BH F	CONNECTOR	1
CN602	033G3802 4 BH L	conn 2.0mm 4p	2nd source
	040G 45762412B	CBPC LABEL	2
IC902	056G 139 3A	IC PC123Y22FZ0F	1
IC902	056G 139900	PHOTO COUPLER TLP421F	2nd source
IC601	056G 616 51	IC APA2071JI-TUG 3.1W DIP-16	1
NR901	061G 58100 WD	RST NTCR 10 OHM +-20% 5A THINKING	1
C908	063G 10747410V	0.47UF 275VAC ARCO	2nd source
C908	063G107K474 6S	CAP X2 0.47UF K 275VAC	2nd source
C908	063G107K474 US	0.47UF +-10%	1
C903	065G305M1022BP	Y2 1000PF M 250VAC Y5P	1
C902	065G305M1022BP	Y2 1000PF M 250VAC Y5P	1
C900	065G306M3322BP	3300PF 20%	1
C918	067G215A1024KV	EC 1000uF 25V 12.5*20mm	2nd source
C918	067G215A1024LV	LOW ESR EC 1000uF 25V M 12.5*20mm	1
C925	067G215D4714KV	E.C 105°C CAP 470UF M 25V ED SERIES	2nd source
C925	067G215D4714LV	LOW ESR EC 470uF 25V M 10*16mm	1
C921	067G215S1023KV	EC CAP 105°C 1000UF M 16V	1
C922	067G215S4713KV	EC 105°C CAP 470UF M 16V	2nd source
C604	067G215S4713LV	LOW ESR EC 470uF 16V M 10*12.5mm	1
C922	067G215S4713LV	LOW ESR EC 470uF 16V M 10*12.5mm	1
C907	067G315Z10115K	EC.100UF 450V 18*40mm	2nd source
C907	067G315Z10115L	EC 100uF 450V M 18*40mm	1
L901	073G 174 65 H2	LINE FILTER 30mH MIN	2nd source
L901	073G 174 65 S2	LINE FILTER 30mH MIN	1
L905	073G 253 91 H	CHOKE COIL	2nd source
L906	073G 253 91 H	CHOKE COIL	2nd source
L906	073G 253 91 L	CHOKE BY LI TA	1
L905	073G 253 91 L	CHOKE BY LI TA	1
L907	073G 253191 H	IND CHOKE 1.1uH DADON	1
T901	080GL22T 3 N1	X'FMR 490uH YUVA-1093	1
T901	080GL22T 3 S1	X'FMR 490uH	2nd source
CN901	087G 501 32 S	AC SOCKET	1
CN901	087G 501 32 DL	AC SOCKET DIP 3PIN+2PIN GROUND	2nd source
CN601	088G 30214K DC	PHONE JACK 5PIN +开口向下弹片	1
BD901	093G 50460 28	BRIDGE DIODE KBP208G LITEON	1
BD901	093G 50460514	BRIDGE KBP306G 3A/800V TSC	2nd source

D905	093G 60334	DIODE SR506 5A/60V DO-201AD	1
D905	093G 60519	DIODE SR560 5A/60V DO-27 SECOS	2nd source
CN902	095G 825 9X518	HARNESS 9P(SCN)-9P(PLUG) 120mm	1
	705GQ793081	D901/D906 ASS'Y	1
	051G 200 1	OIL FOR DISAPPEAR	2
D901	093G 52 66	DIODE FMX-12SL 10A/200V TO-220	2nd source
D901	093G 52 69	DIODE YG902C2RSC 10A/200V TO-220F15	1
D906	093G 60251	FCQ10U06	2nd source
D901	093G 60316	DIODE FCH10A20 10A/200V TO-220	2nd source
D906	093G 60526	SCHOTTKY MBRF1060CT ITO-220AB	1
	0M1G 930 8120	SCREW	2
HS2	Q90G6264 5	HEAT SINK	1
	705GQ851001	OIL FOR DISAPPEAR ASS'Y	1
	051G 200 1	OIL FOR DISAPPEAR	2nd source
	052G 2191 A	PAPER TAPE	1
	705GQA57024	Q901 ASS'Y	1
Q901	057G 600 35	STP8NK80ZFP	2nd source
Q901	057G 667 21	STP10NK70ZFP	1
Q901	057G 667516	FET 2SK3673 TO-220 FUJI	2nd source
Q901	057G 667924	MOSFET SMK0965F	2nd source
HS1	090G6064 1	HEAT SINK	1
	0M1G 930 8120	SCREW	1
	AD91603YY1SMTJ	POWER BOARD FOR SMT	1
IC901	056G 379160	IC FAN6752MY SOP-8	1
R610	061G0603000 JF	RST CHIPR MAX 0R05 1/10W FENGHUA	1
R928	061G0603100 1F	RST CHIPR 1 KOHM +-1% 1/10W	1
R907	061G06031001FY	RST CHIPR 1KOHM +-1% 1/10W YAGEO	1
R916	061G06031002FY	RST CHIPR 10KOHM +-1% 1/10W YAGEO	1
R918	061G06031002FY	RST CHIPR 10KOHM +-1% 1/10W YAGEO	1
R602	061G0603103 JT	RST CHIP 10K 1/10W 5% TZAI YUAN	1
R603	061G0603103 JT	RST CHIP 10K 1/10W 5% TZAI YUAN	1
R604	061G0603103 JT	RST CHIP 10K 1/10W 5% TZAI YUAN	1
R605	061G0603103 JT	RST CHIP 10K 1/10W 5% TZAI YUAN	1
R609	061G0603103 JT	RST CHIP 10K 1/10W 5% TZAI YUAN	1
R920	061G06031502FY	RST CHIPR 15KOHM +-1% 1/10W YAGEO	1
R606	061G0603273 JT	RST CHIP 27K 1/10W 5% TZAI YUAN	1
R607	061G0603273 JT	RST CHIP 27K 1/10W 5% TZAI YUAN	1
R905	061G0603471 JT	RST CHIPR 470OHM +-5% 1/10W TZAI YUAN	1
R905	061G0603471 JY	RST CHIPR 470 OHM 5% 1/10W YAGEO	2nd source
R925	061G0603910 1F	RST CHIPR 9.1 KOHM +-1% 1/10W	1
R608	061G0805000 JT	RST CHIPR 0 OHM +- 5% 1/8W TZAI YUAN	1
R919	061G08051001FT	RST CHIP 1K 1/8W 1%	1
R919	061G08051001FY	RST CHIPR 1KOHM +-1% 1/8W YAGEO	2nd source
RJ816	061G12060007JY	RST CHIPR MAX0R05 7A 1/4W YAGEO	1
RJ802	061G12060007JY	RST CHIPR MAX0R05 7A 1/4W YAGEO	1
R923	061G1206101 JF	RST CHIPR 100 OHM +-5% 1/4W FENGHUA	1
R912	061G1206101 JF	RST CHIPR 100 OHM +-5% 1/4W FENGHUA	1
R910	061G1206101 JF	RST CHIPR 100 OHM +-5% 1/4W FENGHUA	1
R909	061G1206101 JF	RST CHIPR 100 OHM +-5% 1/4W FENGHUA	1
R930	061G1206101 JT	RST CHIPR 100 OHM +-5% 1/4W TZAI YUAN	1

R929	061G1206101 JT	RST CHIPR 100 OHM +-5% 1/4W TZAI YUAN	1
R903	061G1206101 JT	RST CHIPR 100 OHM +-5% 1/4W TZAI YUAN	1
R934	061G12062003FF	RST CHIPR 200KOHM +-1% 1/4W FENGHUA	1
R934	061G12062003FT	RST CHIPR 200KOHM +-1% 1/4W TZAI YUAN	2nd source
R908	061G1206204 JF	RST CHIPR 200KOHM +-5% 1/4W FENGHUA	1
R917	061G1206330 JF	RST CHIPR 33 OHM +-5% 1/4W FENGHUA	2nd source
R917	061G1206330 JT	RST CHIP R 33ohm 1/4W +/-5%	1
R913	061G1206519 JT	RST CHIPR 5.1 OHM 1/4W TZAI YUAN	1
R931	061G12066804FF	RST CHIPR 6.8MOHM 1% 1/4W FENGHUA	1
R932	061G12066804FF	RST CHIPR 6.8MOHM 1% 1/4W FENGHUA	1
R933	061G12066804FF	RST CHIPR 6.8MOHM 1% 1/4W FENGHUA	1
R900	061G1206684 JT	RST CHIPR 680 KOHM 1/4W TZAI YUAN	1
R901	061G1206684 JT	RST CHIPR 680 KOHM 1/4W TZAI YUAN	1
R902	061G1206684 JT	RST CHIPR 680 KOHM 1/4W TZAI YUAN	1
C610	065G060310131J Y	CAP CHIP 0603 100P 50V NPO +/-5%	1
C611	065G060310131J Y	CAP CHIP 0603 100P 50V NPO +/-5%	1
C923	065G060310232K T	MLCC 0603 CAP 1000PF 50V X7R	2nd source
C923	065G060310232K Y	CAP CHIP 0603 1N 50V X7R +/-10%	1
C924	065G060310412K W	CAP CHIP 0603 0.1UF K 16V X7R	2nd source
C926	065G060310412K W	CAP CHIP 0603 0.1UF K 16V X7R	2nd source
C924	065G060310412K Y	CAP CHIP 0603 100N 16V X7R +/-10%	1
C926	065G060310412K Y	CAP CHIP 0603 100N 16V X7R +/-10%	1
C613	065G060310432K Y	CAP CHIP 0603 0.1UF K 50V X7R	1
C612	065G060310432K Y	CAP CHIP 0603 0.1UF K 50V X7R	1
C914	065G060347132K T	CAP CHIP 0603 470pF K 50V X7R	2nd source
C914	065G060347132K Y	CAP CHIP 0603 470PF K 50V X7R	1
C606	065G060347412K Y	CAP CHIP 0603 0.47UF K 16V X7R	1
C602	065G060347412K Y	CAP CHIP 0603 0.47UF K 16V X7R	1
C603	065G060347412K Y	CAP CHIP 0603 0.47UF K 16V X7R	1
C601	065G060347412K Y	CAP CHIP 0603 0.47UF K 16V X7R	1
C915	065G080510332K 3	CAP CHIP 0805 10N 50V X7R +/-10%	2nd source
C915	065G080510332K Y	CAP CHIP 0805 10N 50V X7R +/-10%	1
C912	065G080510432K 3	CAP CHIP 0805 100N 50V X7R +/-10%	2nd source
C912	065G080510432K Y	CAP CHIP 0805 100N 50V X7R +/-10%	1
C927	065G080510522K 3	CAP CHIP 0805 1U 25V X7R +/-10%	2nd source
C609	065G080510522K 3	CAP CHIP 0805 1U 25V X7R +/-10%	1
C608	065G080510522K 3	CAP CHIP 0805 1U 25V X7R +/-10%	1
C927	065G080510522K T	CAP CHIP 0805 1UF K 25V X7R	1
C917	065G120610272K T	CAP CHIP 1206 1000PF 500V X7R	2nd source
C916	065G120610272K T	CAP CHIP 1206 1000PF 500V X7R	2nd source
C917	065G120610272K Y	CAP CHIP 1206 1NF K 500V X7R	1
C919	065G120610272K Y	CAP CHIP 1206 1NF K 500V X7R	1
C916	065G120610272K Y	CAP CHIP 1206 1NF K 500V X7R	1
	AD91603YY1AIJ	POWER BOARD FOR AI	1
CN901	006G 31500	EYELET	2
	040G 45762420A	LABEL 25x6mm	1
IC903	056G 158 10 T	IC AS431AZTR-E1 TO-92	2nd source
IC903	056G 158 12	KIA431A-AT/P TO-92	1
Q904	057G 530503 T	2SD1207T	2nd source
Q904	057G 761 16	TRA KTD1028 KEC	1



R906	061G152M10452T	RST MOFR 100KOHM +-5% 2WS	1
R906	061G152M10452T XZ	RST MOFR 100KOHM +-5% 2WS XIANZHENG	2nd source
R924	061G152M33852T	RST MOFR 0.33 OHM +-5% 2WS	1
R915	061G152M68152T	RST MOFR 680 OHM +-5% 2WS	1
R911	061G152M68152T	RST MOFR 680 OHM +-5% 2WS	1
C911	065G 2K152 2T6213	CAP CER 1500PF K 2KV	2nd source
C911	065G 2K152 2T6921	CAP CER 1500pF K 2KV Y5P	1
C920	067G 2046812KT	CS CAP 680uF 10V 8*11 mm	1
C913	067G215S2207RT	EC 22uF 50V 5*11mm	2nd source
C913	067G215Y2207KT	CAP 105°C 22UF M 50V KINGNICH	1
FB902	071G 55 9 T	FERRITE BEAD	1
FB602	071G 55 9 T	FERRITE BEAD	1
FB901	071G 55 29	FERRITE BEAD	1
F903	084G 56 4 B	FUSE 4A 250V	1
F902	084G 56 4 B	FUSE 4A 250V	1
F901	084G 56 4 B	FUSE 4A 250V	1
F901	084G 56 4W	FUSE 4.0A 250V	2nd source
F902	084G 56 4W	FUSE 4.0A 250V	2nd source
ZD901	093G 3952152T	TZX18B	1
D903	093G 6026T52T	RECTIFIER DIODE FR107	1
D904	093G 6038T52T	FR103	1
D903	093G110050152T	DIODE PR1007 1A/1000V 500ns DO-41	2nd source
J601	095G 90 23	JUMPER WIRE	1
J602	095G 90 23	JUMPER WIRE	1
J603	095G 90 23	JUMPER WIRE	1
J604	095G 90 23	JUMPER WIRE	1
J605	095G 90 23	JUMPER WIRE	1
J909	095G 90 23	JUMPER WIRE	1
J908	095G 90 23	JUMPER WIRE	1
J910	095G 90 23	JUMPER WIRE	1
J911	095G 90 23	JUMPER WIRE	1
J912	095G 90 23	JUMPER WIRE	1
J921	095G 90 23	JUMPER WIRE	1
J913	095G 90 23	JUMPER WIRE	1
J907	095G 90 23	JUMPER WIRE	1
J906	095G 90 23	JUMPER WIRE	1
J607	095G 90 23	JUMPER WIRE	1
J608	095G 90 23	JUMPER WIRE	1
J806	095G 90 23	JUMPER WIRE	1
J901	095G 90 23	JUMPER WIRE	1
J902	095G 90 23	JUMPER WIRE	1
J606	095G 90 23	JUMPER WIRE	1
J903	095G 90 23	JUMPER WIRE	1
J904	095G 90 23	JUMPER WIRE	1
J905	095G 90 23	JUMPER WIRE	1
E715	715G2892P01020001C	POWER PCB 122X184X1.6MM FR-1 S/S 1OZ	1
E715	715G2892P01020001M	POWER PCB 122X184X1.6MM FR-1 S/S 1OZ	2nd source
E715	715G2892P01020001S	POWER PCB 122X184X1.6MM FR-1 S/S 1OZ	2nd source
	LNPCA9361XYY1J	CONVERTOR BOARD G3918-P01-X-X-5-100105	1

C813	067G 4151017KV	EC 100uF 50V ED 8*12	2nd source
C813	067G 4151017LV	EC 100uF 20% 50V RZY 8*11.5	1
C804	067G 415330 9K	EC 33UF 20% 100V ED 8*12	2nd source
C804	067G 415330 9L	EC 33UF 20% 100V RZW 8*11.5	1
CN802	311GB254A02AAF	PIN HEADER 2.54MM 2P	1
CN801	311GB254A05AAF	PIN HEADER 2.54MM 5P	1
	LNA9361XYY1SMTJ	CONVERTOR BOARD FOR SMT	1
CN803	033G801910Y H	FPC CONN. 0.5mm SMT 10P	1
	040G 45762412B	CBPC LABEL	1
IC801	056G 379185	AC/DC CONVERTER TA9690GN-A1-0-TR SOP-24	1
Q801	057G 763 92	FET P8008HV 4A/80V SOP-8	1
R823	061G0603000 JF	RST CHIPR MAX 0R05 1/10W FENGHUA	1
R823	061G0603000 JY	RST CHIPR MAX0R05 1/10W YAGEO	2nd source
R814	061G0603100 JF	RST CHIPR 10 OHM 5% 1/10W FENGHUA	1
R807	061G0603100 JF	RST CHIPR 10 OHM 5% 1/10W FENGHUA	1
R807	061G0603100 JT	RST CHIP 10R 1/10W 5% TZAI YUAN	2nd source
R812	061G0603101 JF	RST CHIPR 100 OHM +5% 1/10W FENGHUA	1
R845	061G0603101 JF	RST CHIPR 100 OHM +5% 1/10W FENGHUA	1
R812	061G0603101 JY	RST CHIPR 100 OHM +5% 1/10W YAGEO	2nd source
R845	061G0603101 JY	RST CHIPR 100 OHM +5% 1/10W YAGEO	2nd source
R810	061G0603102 JT	RST CHIP 1K 1/10W 5% TZAI YUAN	1
R806	061G0603103 JF	RST CHIPR 10K OHM +5% 1/10W FENGHUA	1
R813	061G0603103 JF	RST CHIPR 10K OHM +5% 1/10W FENGHUA	1
R813	061G0603103 JT	RST CHIP 10K 1/10W 5% TZAI YUAN	2nd source
R806	061G0603103 JT	RST CHIP 10K 1/10W 5% TZAI YUAN	2nd source
R809	061G0603104 JT	RST CHIP 100K 1/10W 5% TZAI YUAN	1
R833	061G0603109 JY	RST CHIPR 1 OHM +5% 1/10W YAGEO	1
R832	061G0603109 JY	RST CHIPR 1 OHM +5% 1/10W YAGEO	1
R831	061G0603109 JY	RST CHIPR 1 OHM +5% 1/10W YAGEO	1
R830	061G0603109 JY	RST CHIPR 1 OHM +5% 1/10W YAGEO	1
R829	061G0603109 JY	RST CHIPR 1 OHM +5% 1/10W YAGEO	1
R828	061G0603109 JY	RST CHIPR 1 OHM +5% 1/10W YAGEO	1
R827	061G0603109 JY	RST CHIPR 1 OHM +5% 1/10W YAGEO	1
R826	061G0603109 JY	RST CHIPR 1 OHM +5% 1/10W YAGEO	1
R805	061G0603124 JF	RST CHIPR 120KOHM 5% 1/10W FENGHUA	1
R805	061G0603124 JY	RST CHIPR 120KOHM 1/16W YAGEO	2nd source
R842	061G06031503FF	RST CHIPR 150KOHM +-1% 1/10W FENGHUA	1
R804	061G06032702FF	RST CHIPR 27KOHM +-1% 1/10W FENGHUA	1
R824	061G06034302FF	RST CHIPR 43KOHM +-1% 1/10W FENGHUA	1
R822	061G08051004FF	RST CHIPR 1 MOHM +-1% 1/8W FENGHUA	2nd source
R822	061G08051004FT	RST CHIP R 1 MOHM +-1% 1/8W	1
R825	061G1206000 JF	RST CHIPR MAX0R05 1/4W FENGHUA	1
F801	061G12060004JF	RST CHIPR MAX0R05 4A 1/4W FENGHUA	1
R802	061G1206308 JF	RST CHIPR 0.3 OHM +5% 1/4W FENGHUA	1
R801	061G1206308 JF	RST CHIPR 0.3 OHM +5% 1/4W FENGHUA	1
C814	065G060310131J Y	CAP CHIP 0603 100P 50V NPO +/-5%	1
C805	065G060347412K 3	CAP CHIP 0603 0.47uF K 16V X7R	2nd source
C805	065G060347412K T	CAP CHIP 0603 0.47UF K 16V X7R	1
C805	065G060347412K Y	CAP CHIP 0603 0.47UF K 16V X7R	2nd source

C803	065G080510432K F	CAP CHIP 0805 0.1UF K 50V X7R	1
C801	065G080510432K F	CAP CHIP 0805 0.1UF K 50V X7R	1
C801	065G080510432K Y	CAP CHIP 0805 100N 50V X7R +/-10%	2nd source
C803	065G080510432K Y	CAP CHIP 0805 100N 50V X7R +/-10%	2nd source
C807	065G080522512K T	CAP CHIP 0805 2.2UF K 16V X7R	1
C806	065G080522522K T	CAP CHIP 0805 2.2UF K 25V X7R	1
C806	065G080522522K Y	CAP CHIP 0805 2.2UF K 25V X7R	2nd source
L801	073G253S 90 S	SMD CHOKE 22uH 3A SLG-1004R-220 HF	2nd source
L801	073G253S 90 X	SMD CHOKE 22uH 3A HF	1
L801	073G253S 90 DN	SMD CHOKE 22uH 3A LZ.38220.B1P HF	2nd source
ZD801	093G 60S932 T	DIODE SK310B DO-214AA	1
	715G3918P02000004F	CONVERTER PCB 45X80X1.6MM FR-4 D/S 1OZ	1
	Q51G 6 4509	GLUE_RTV	1
HS3	Q90G6295 3	HEAT SINK	1
T901	S80GL22T3V1	XFMR POWER 490uH TPV-PT	2nd source
	AM1G1740 12 47 CR3	SCREW	3
	AM1G1740 12 47 CR3	SCREW	1
CN406	033G3802 6B Y	CONN 6PIN 2.0	2nd source
CN406	033G3802 6B Y L	WAFER	1
CN404	033G3802 9B Y	CONNECTOR 9P 2.0	2nd source
CN404	033G3802 9B Y L	CONN 2.0 9P	1
CN403	033G801930F CH JS	CONNECTOR	1
CN101	088G 35315F H	D-SUB 15PIN	2nd source
CN101	088G 35315F HD	D-SUB CONN F ATTACHED SCREW	2nd source
CN101	088G 35315F HJ	SOC SUBD H 15P F	2nd source
CN101	088G 35315F XH	D-SUB 15PIN VERTICAL CONN WITH SCREW	1
X401	093G 2251B J	CRYSTAL 12MHZ NXS12.000AC30F-KAB10	1
	AIG9NWA1QHJ	MAIN BOARD FOR AI	1
C707	067G 4051014PT	EC 100uF M 25V 6.3*11mm	1
C449	067G 4051014PT	EC 100uF M 25V 6.3*11mm	1
C704	067G 4051014PT	EC 100uF M 25V 6.3*11mm	1
C702	067G 4051014PT	EC 100uF M 25V 6.3*11mm	1
	SMTC9NWA1QHJ	MAIN BOARD FOR SMT	1
U401	056G 562308	IC Scaler NT68168FG/B LQFP-64	1
U401	056G 562325	IC Scaler NT68168AFG LQFP-64	2nd source
U701	056G 563 47	IC AME8815BEGT330Z SOT-223 BY AME	2nd source
U704	056G 563161	IC AME8815BEGT180Z 1.5A/1.8V SOT-223	2nd source
U704	056G 563206	IC LDO AP2114H-1.8TRG1 1A/1.8V SOT-223	1
U701	056G 563224	IC LDO AP2114H-3.3TRG1 1A/3.3V SOT-223	1
U103	056G 662502	C ESD AZC199-04S SOT23-6L	1
U102	056G 662502	C ESD AZC199-04S SOT23-6L	1
U101	056G1133 34	M24C02-WMN6TP	1
U402	056G2233 11	IC Pm25LD020C-SCE SIOC-8(150mil) 2M	1
Q404	057G 417 12 T	KEC 2N3904S-RTK/PS	1
Q406	057G 417 12 T	KEC 2N3904S-RTK/PS	1
Q407	057G 417 13 T	KEC 2N3906S-RTK/PS	1
Q408	057G 417 13 T	KEC 2N3906S-RTK/PS	1
Q405	057G 763940	MOSFET AO3401A SOT-23	1

R702	061G0402000 JT	RST CHIPR MAX0R05 1/16W TZAI YUAN	1
R470	061G0402000 JT	RST CHIPR MAX0R05 1/16W TZAI YUAN	2nd source
R467	061G0402000 JT	RST CHIPR MAX0R05 1/16W TZAI YUAN	2nd source
R429	061G0402000 JT	RST CHIPR MAX0R05 1/16W TZAI YUAN	2nd source
R122	061G0402000 JT	RST CHIPR MAX0R05 1/16W TZAI YUAN	2nd source
R411	061G0402000 JT	RST CHIPR MAX0R05 1/16W TZAI YUAN	2nd source
R416	061G0402000 JT	RST CHIPR MAX0R05 1/16W TZAI YUAN	2nd source
R429	061G0402000 JY	RST CHIPR 0 OHM +-5% 1/16W YAGEO	1
R467	061G0402000 JY	RST CHIPR 0 OHM +-5% 1/16W YAGEO	1
R470	061G0402000 JY	RST CHIPR 0 OHM +-5% 1/16W YAGEO	1
R416	061G0402000 JY	RST CHIPR 0 OHM +-5% 1/16W YAGEO	1
R411	061G0402000 JY	RST CHIPR 0 OHM +-5% 1/16W YAGEO	1
R122	061G0402000 JY	RST CHIPR 0 OHM +-5% 1/16W YAGEO	1
R102	061G0402101 JT	RST CHIP 100R 1/16W 5% TZAI YUAN	2nd source
R103	061G0402101 JT	RST CHIP 100R 1/16W 5% TZAI YUAN	2nd source
R104	061G0402101 JT	RST CHIP 100R 1/16W 5% TZAI YUAN	2nd source
R108	061G0402101 JT	RST CHIP 100R 1/16W 5% TZAI YUAN	2nd source
R110	061G0402101 JT	RST CHIP 100R 1/16W 5% TZAI YUAN	2nd source
R705	061G0402101 JT	RST CHIP 100R 1/16W 5% TZAI YUAN	2nd source
R452	061G0402101 JT	RST CHIP 100R 1/16W 5% TZAI YUAN	2nd source
R451	061G0402101 JT	RST CHIP 100R 1/16W 5% TZAI YUAN	2nd source
R450	061G0402101 JT	RST CHIP 100R 1/16W 5% TZAI YUAN	2nd source
R449	061G0402101 JT	RST CHIP 100R 1/16W 5% TZAI YUAN	2nd source
R405	061G0402101 JT	RST CHIP 100R 1/16W 5% TZAI YUAN	2nd source
R117	061G0402101 JT	RST CHIP 100R 1/16W 5% TZAI YUAN	2nd source
R115	061G0402101 JT	RST CHIP 100R 1/16W 5% TZAI YUAN	2nd source
R114	061G0402101 JT	RST CHIP 100R 1/16W 5% TZAI YUAN	2nd source
R113	061G0402101 JT	RST CHIP 100R 1/16W 5% TZAI YUAN	2nd source
R111	061G0402101 JT	RST CHIP 100R 1/16W 5% TZAI YUAN	2nd source
R117	061G0402101 JY	RST CHIPR 100 OHM +-5% 1/16W YAGEO	1
R405	061G0402101 JY	RST CHIPR 100 OHM +-5% 1/16W YAGEO	1
R449	061G0402101 JY	RST CHIPR 100 OHM +-5% 1/16W YAGEO	1
R450	061G0402101 JY	RST CHIPR 100 OHM +-5% 1/16W YAGEO	1
R451	061G0402101 JY	RST CHIPR 100 OHM +-5% 1/16W YAGEO	1
R452	061G0402101 JY	RST CHIPR 100 OHM +-5% 1/16W YAGEO	1
R705	061G0402101 JY	RST CHIPR 100 OHM +-5% 1/16W YAGEO	1
R703	061G0402101 JY	RST CHIPR 100 OHM +-5% 1/16W YAGEO	1
R708	061G0402101 JY	RST CHIPR 100 OHM +-5% 1/16W YAGEO	1
R102	061G0402101 JY	RST CHIPR 100 OHM +-5% 1/16W YAGEO	1
R103	061G0402101 JY	RST CHIPR 100 OHM +-5% 1/16W YAGEO	1
R104	061G0402101 JY	RST CHIPR 100 OHM +-5% 1/16W YAGEO	1
R108	061G0402101 JY	RST CHIPR 100 OHM +-5% 1/16W YAGEO	1
R110	061G0402101 JY	RST CHIPR 100 OHM +-5% 1/16W YAGEO	1
R111	061G0402101 JY	RST CHIPR 100 OHM +-5% 1/16W YAGEO	1
R113	061G0402101 JY	RST CHIPR 100 OHM +-5% 1/16W YAGEO	1
R114	061G0402101 JY	RST CHIPR 100 OHM +-5% 1/16W YAGEO	1
R115	061G0402101 JY	RST CHIPR 100 OHM +-5% 1/16W YAGEO	1
R419	061G0402102 JT	RST CHIP 1K 1/16W 5% TZAI YUAN	2nd source
R473	061G0402102 JT	RST CHIP 1K 1/16W 5% TZAI YUAN	2nd source
R474	061G0402102 JT	RST CHIP 1K 1/16W 5% TZAI YUAN	2nd source

R419	061G0402102 JY	RST CHIPR 1KOHM +-5% 1/16W YAGEO	1
R473	061G0402102 JY	RST CHIPR 1KOHM +-5% 1/16W YAGEO	1
R474	061G0402102 JY	RST CHIPR 1KOHM +-5% 1/16W YAGEO	1
R118	061G0402103 JT	RST CHIP 10K 1/16W 5% TZAI YUAN	2nd source
R417	061G0402103 JT	RST CHIP 10K 1/16W 5% TZAI YUAN	2nd source
R433	061G0402103 JT	RST CHIP 10K 1/16W 5% TZAI YUAN	2nd source
R471	061G0402103 JT	RST CHIP 10K 1/16W 5% TZAI YUAN	2nd source
R710	061G0402103 JT	RST CHIP 10K 1/16W 5% TZAI YUAN	2nd source
R710	061G0402103 JY	RST CHIPR 10KOHM +-5% 1/16W YAGEO	1
R471	061G0402103 JY	RST CHIPR 10KOHM +-5% 1/16W YAGEO	1
R433	061G0402103 JY	RST CHIPR 10KOHM +-5% 1/16W YAGEO	1
R417	061G0402103 JY	RST CHIPR 10KOHM +-5% 1/16W YAGEO	1
R118	061G0402103 JY	RST CHIPR 10KOHM +-5% 1/16W YAGEO	1
R406	061G0402104 JF	RST CHIPR 100KOHM +-5% 1/16W FENGHUA	2nd source
R406	061G0402104 JT	RST CHIP 100K 1/16W 5% TZAI YUAN	1
R462	061G0402105 JF	RST CHIPR 1MOHM 5% 1/16W FENGHUA	1
R462	061G0402105 JT	RST CHIP R 1Mohm 1/16W +/-5% TZAI YUAN	2nd source
R106	061G0402222 JF	RST CHIPR 2.2KOHM +-5% 1/16W FENGHUA	1
R105	061G0402222 JF	RST CHIPR 2.2KOHM +-5% 1/16W FENGHUA	1
R105	061G0402222 JT	RST CHIP 2K2 1/16W 5% TZAI YUAN	2nd source
R106	061G0402222 JT	RST CHIP 2K2 1/16W 5% TZAI YUAN	2nd source
R468	061G0402223 JF	RST CHIPR 22KOHM 5% 1/16W FENGHUA	1
R465	061G0402223 JF	RST CHIPR 22KOHM 5% 1/16W FENGHUA	1
R709	061G0402223 JF	RST CHIPR 22KOHM 5% 1/16W FENGHUA	1
R414	061G0402223 JF	RST CHIPR 22KOHM 5% 1/16W FENGHUA	1
R410	061G0402223 JF	RST CHIPR 22KOHM 5% 1/16W FENGHUA	1
R711	061G0402223 JF	RST CHIPR 22KOHM 5% 1/16W FENGHUA	1
R435	061G0402223 JF	RST CHIPR 22KOHM 5% 1/16W FENGHUA	1
R119	061G0402223 JF	RST CHIPR 22KOHM 5% 1/16W FENGHUA	1
R468	061G0402223 JT	RST CHIP 22K 1/16W 5% TZAI YUAN	2nd source
R465	061G0402223 JT	RST CHIP 22K 1/16W 5% TZAI YUAN	2nd source
R709	061G0402223 JT	RST CHIP 22K 1/16W 5% TZAI YUAN	2nd source
R414	061G0402223 JT	RST CHIP 22K 1/16W 5% TZAI YUAN	2nd source
R410	061G0402223 JT	RST CHIP 22K 1/16W 5% TZAI YUAN	2nd source
R711	061G0402223 JT	RST CHIP 22K 1/16W 5% TZAI YUAN	2nd source
R435	061G0402223 JT	RST CHIP 22K 1/16W 5% TZAI YUAN	2nd source
R119	061G0402223 JT	RST CHIP 22K 1/16W 5% TZAI YUAN	2nd source
R409	061G0402224 JT	RST CHIP 220K 1/16W 5% TZAI YUAN	1
R409	061G0402224 JY	RST CHIPR 220KOHM +-5% 1/16W YAGEO	2nd source
R466	061G0402331 JF	RST CHIP 330R 1/16W 5% FENGHUA	2nd source
R466	061G0402331 JY	RST CHIPR 330 OHM +-5% 1/16W YAGEO	1
R109	061G0402391 JF	RST CHIP 390R 1/16W 5% FENGHUA	2nd source
R109	061G0402391 JT	RST CHIP 390R 1/16W 5% TZAI YUAN	1
R407	061G0402392 JF	RST CHIPR 3.9KOHM +-5% 1/16W FENGHUA	1
R427	061G0402392 JF	RST CHIPR 3.9KOHM +-5% 1/16W FENGHUA	1
R428	061G0402392 JF	RST CHIPR 3.9KOHM +-5% 1/16W FENGHUA	1
R407	061G0402392 JT	RST CHIP R 3K9 +/-5% 1/16W TZAI YUAN	2nd source
R427	061G0402392 JT	RST CHIP R 3K9 +/-5% 1/16W TZAI YUAN	2nd source
R428	061G0402392 JT	RST CHIP R 3K9 +/-5% 1/16W TZAI YUAN	2nd source
R706	061G0402472 JF	RST CHIPR 4.7KOHM +-5% 1/16W FENGHUA	1

R704	061G0402472 JF	RST CHIPR 4.7KOHM +-5% 1/16W FENGHUA	2nd source
R415	061G0402472 JF	RST CHIPR 4.7KOHM +-5% 1/16W FENGHUA	2nd source
R121	061G0402472 JF	RST CHIPR 4.7KOHM +-5% 1/16W FENGHUA	2nd source
R120	061G0402472 JF	RST CHIPR 4.7KOHM +-5% 1/16W FENGHUA	2nd source
R120	061G0402472 JT	RST CHIP 4K7 1/16W 5% TZAI YUAN	1
R121	061G0402472 JT	RST CHIP 4K7 1/16W 5% TZAI YUAN	1
R415	061G0402472 JT	RST CHIP 4K7 1/16W 5% TZAI YUAN	1
R704	061G0402472 JT	RST CHIP 4K7 1/16W 5% TZAI YUAN	1
R436	061G0402563 JF	RST CHIPR 56KOHM 1/16W FENGHUA	1
R436	061G0402563 JT	RST CHIPR 56KOHM 1/16W TZAI YUAN	2nd source
R107	061G0402750 JF	RST CHIPR 75 OHM +-5% 1/16W FENGHUA	2nd source
R112	061G0402750 JF	RST CHIPR 75 OHM +-5% 1/16W FENGHUA	2nd source
R116	061G0402750 JF	RST CHIPR 75 OHM +-5% 1/16W FENGHUA	2nd source
R107	061G0402750 JY	RST CHIPR 75OHM +-5% 1/16W YAGEO	1
R112	061G0402750 JY	RST CHIPR 75OHM +-5% 1/16W YAGEO	1
R116	061G0402750 JY	RST CHIPR 75OHM +-5% 1/16W YAGEO	1
R101	061G0603000 JF	RST CHIPR MAX 0R05 1/10W FENGHUA	1
R101	061G0603000 JY	RST CHIPR MAX0R05 1/10W YAGEO	2nd source
R469	061G0603102 JF	RST CHIPR 1K OHM +-5% 1/10W FENGHUA	2nd source
R469	061G0603102 JT	RST CHIP 1K 1/10W 5% TZAI YUAN	1
R421	061G1206221 JF	RST CHIPR 220 OHM +-5% 1/4W FENGHUA	1
R434	061G1206221 JF	RST CHIPR 220 OHM +-5% 1/4W FENGHUA	1
R421	061G1206221 JT	RST CHIPR 220 OHM +-5% 1/4W TZAI YUAN	2nd source
R434	061G1206221 JT	RST CHIPR 220 OHM +-5% 1/4W TZAI YUAN	2nd source
C106	065G040210232K A	CAP 0402 1NF K 50V X7R	1
C106	065G040210232K T	CAP CHIP 0402 1000PF 50V X7R	2nd source
C106	065G040210232K Y	CAP CHIP 0402 1N 50V X7R +/-10%	2nd source
C401	065G040210412K T	CAP CHIP 0402 0.1UF 16V X7R	1
C709	065G040210412K T	CAP CHIP 0402 0.1UF 16V X7R	1
C706	065G040210412K T	CAP CHIP 0402 0.1UF 16V X7R	1
C705	065G040210412K T	CAP CHIP 0402 0.1UF 16V X7R	1
C703	065G040210412K T	CAP CHIP 0402 0.1UF 16V X7R	1
C701	065G040210412K T	CAP CHIP 0402 0.1UF 16V X7R	1
C441	065G040210412K T	CAP CHIP 0402 0.1UF 16V X7R	1
C433	065G040210412K T	CAP CHIP 0402 0.1UF 16V X7R	1
C431	065G040210412K T	CAP CHIP 0402 0.1UF 16V X7R	1
C420	065G040210412K T	CAP CHIP 0402 0.1UF 16V X7R	1
C417	065G040210412K T	CAP CHIP 0402 0.1UF 16V X7R	1
C416	065G040210412K T	CAP CHIP 0402 0.1UF 16V X7R	1
C415	065G040210412K T	CAP CHIP 0402 0.1UF 16V X7R	1
C414	065G040210412K T	CAP CHIP 0402 0.1UF 16V X7R	1
C413	065G040210412K T	CAP CHIP 0402 0.1UF 16V X7R	1
C407	065G040210412K T	CAP CHIP 0402 0.1UF 16V X7R	1
C406	065G040210412K T	CAP CHIP 0402 0.1UF 16V X7R	1
C409	065G040210412K T	CAP CHIP 0402 0.1UF 16V X7R	1
C410	065G040210412K T	CAP CHIP 0402 0.1UF 16V X7R	1
C401	065G040210412K Y	CAP CHIP 0402 100N 16V X7R +/-10%	2nd source
C406	065G040210412K Y	CAP CHIP 0402 100N 16V X7R +/-10%	2nd source
C407	065G040210412K Y	CAP CHIP 0402 100N 16V X7R +/-10%	2nd source
C709	065G040210412K Y	CAP CHIP 0402 100N 16V X7R +/-10%	2nd source

C706	065G040210412K	Y	CAP CHIP 0402 100N 16V X7R +/-10%	2nd source
C705	065G040210412K	Y	CAP CHIP 0402 100N 16V X7R +/-10%	2nd source
C703	065G040210412K	Y	CAP CHIP 0402 100N 16V X7R +/-10%	2nd source
C701	065G040210412K	Y	CAP CHIP 0402 100N 16V X7R +/-10%	2nd source
C441	065G040210412K	Y	CAP CHIP 0402 100N 16V X7R +/-10%	2nd source
C433	065G040210412K	Y	CAP CHIP 0402 100N 16V X7R +/-10%	2nd source
C431	065G040210412K	Y	CAP CHIP 0402 100N 16V X7R +/-10%	2nd source
C420	065G040210412K	Y	CAP CHIP 0402 100N 16V X7R +/-10%	2nd source
C417	065G040210412K	Y	CAP CHIP 0402 100N 16V X7R +/-10%	2nd source
C416	065G040210412K	Y	CAP CHIP 0402 100N 16V X7R +/-10%	2nd source
C415	065G040210412K	Y	CAP CHIP 0402 100N 16V X7R +/-10%	2nd source
C414	065G040210412K	Y	CAP CHIP 0402 100N 16V X7R +/-10%	2nd source
C413	065G040210412K	Y	CAP CHIP 0402 100N 16V X7R +/-10%	2nd source
C410	065G040210412K	Y	CAP CHIP 0402 100N 16V X7R +/-10%	2nd source
C409	065G040210412K	Y	CAP CHIP 0402 100N 16V X7R +/-10%	2nd source
C102	065G040222031J	A	CAP 0402 22PF J 50V NPO	1
C102	065G040222031J	T	CAP CHIP 0402 22PF 50V NPO	2nd source
C102	065G040222031J	Y	CAP CHIP 0402 22P 50V NPO +/-5%	2nd source
C408	065G040222415K	A	CAP CHIP 0402 0.22UF K 16V X5R	1
C419	065G040222415K	A	CAP CHIP 0402 0.22UF K 16V X5R	1
C408	065G040222415K	T	CAP CHIP 0402 220nF K 16V X5R	2nd source
C419	065G040222415K	T	CAP CHIP 0402 220nF K 16V X5R	2nd source
C103	065G040233031J	A	CAP 0402 33PF J 50V NPO	1
C103	065G040233031J	T	CAP CHIP 0402 33PF 50V NPO	2nd source
C103	065G040233031J	Y	CAP CHIP 0402 33P 50V NPO +/-5%	2nd source
C411	065G040247031J	A	CAP CHIP 0402 47PF J 50V NPO	2nd source
C412	065G040247031J	A	CAP CHIP 0402 47PF J 50V NPO	2nd source
C412	065G040247031J	Y	CAP CHIP 0402 47pF 50V NPO +/-5%	1
C411	065G040247031J	Y	CAP CHIP 0402 47pF 50V NPO +/-5%	1
C113	065G040247312K	A	8.31HIP 0402 47nF K 16V X7R	1
C110	065G040247312K	A	8.31HIP 0402 47nF K 16V X7R	1
C109	065G040247312K	A	8.31HIP 0402 47nF K 16V X7R	1
C107	065G040247312K	A	8.31HIP 0402 47nF K 16V X7R	1
C105	065G040247312K	A	8.31HIP 0402 47nF K 16V X7R	1
C101	065G040247312K	A	8.31HIP 0402 47nF K 16V X7R	1
C113	065G040247312K	T	CAP CHIP 0402 0.047uF 16V X7R	2nd source
C110	065G040247312K	T	CAP CHIP 0402 0.047uF 16V X7R	2nd source
C109	065G040247312K	T	CAP CHIP 0402 0.047uF 16V X7R	2nd source
C107	065G040247312K	T	CAP CHIP 0402 0.047uF 16V X7R	2nd source
C105	065G040247312K	T	CAP CHIP 0402 0.047uF 16V X7R	2nd source
C101	065G040247312K	T	CAP CHIP 0402 0.047uF 16V X7R	2nd source
C444	065G060310432K	3	CAP CHIP 0603 0.1uF K 50V X7R	2nd source
C444	065G060310432K	F	CAP CHIP 0603 0.1UF K 50V X7R	1
C444	065G060310432K	Y	CAP CHIP 0603 0.1UF K 50V X7R	2nd source
C421	065G060310512K	M	CAP 0603 1UF 10% 16V X7R	2nd source
C421	065G060310512K	T	CAP CHIP 0603 1UF K 16V X7R	1
C451	065G060310605M	T	MLCC 0603 10UF 6.3V X5R +-20%	1
C451	065G060310605M	Y	CAP CHIP 0603 10uF 6.3V X5R +/-20%	2nd source
C102	065G040222031J	A	CAP 0402 22PF J 50V NPO	1
C102	065G040222031J	T	CAP CHIP 0402 22PF 50V NPO	2nd source

C102	065G040222031J	Y	CAP CHIP 0402 22P 50V NPO +/-5%	2nd source
C408	065G040222415K	A	CAP CHIP 0402 0.22UF K 16V X5R	1
C419	065G040222415K	A	CAP CHIP 0402 0.22UF K 16V X5R	1
C408	065G040222415K	T	CAP CHIP 0402 220nF K 16V X5R	2nd source
C116	065G060322422K	3	CAP CHIP 0603 220N 25V X7R +/-10%	2nd source
C116	065G060322422K	T	CAP CHIP0603 220NF K 25V X7R	1
C116	065G060322422K	Y	CAP CHIP 0603 0.22UF K 25V X7R	2nd source
C443	065G080547525K	3	CHIP 4U7 25V X5R 10%	2nd source
C442	065G080547525K	3	CHIP 4U7 25V X5R 10%	2nd source
C430	065G080547525K	3	CHIP 4U7 25V X5R 10%	2nd source
C430	065G080547525K	T	CAP MLCC 0805 4.7uF K 25V X5R	1
C442	065G080547525K	T	CAP MLCC 0805 4.7uF K 25V X5R	1
C443	065G080547525K	T	CAP MLCC 0805 4.7uF K 25V X5R	1
FB404	071G 56K121		CHIP BEAD	2nd source
FB408	071G 56K121		CHIP BEAD	2nd source
FB404	071G 56K121	M	CHIP BEAD	1
FB408	071G 56K121	M	CHIP BEAD	1
FB403	071G 56V301	B	CHIP BEAD FCM2012VF-301T07 bullwill	2nd source
FB406	071G 56V301	B	CHIP BEAD FCM2012VF-301T07 bullwill	2nd source
FB406	071G 56V301	M	CHIP BEAD 2012 300 OHM	1
FB403	071G 56V301	M	CHIP BEAD 2012 300 OHM	1
FB101	071G 59K190	B	19 OHM BEAD	1
FB102	071G 59K190	B	19 OHM BEAD	1
FB103	071G 59K190	B	19 OHM BEAD	1
D101	093G 64 42	L	DIODE LBAV70LT1G SOT-23 LRC	1
D101	093G 64 42	P	BAV70 SOT23 BY PAN JIT	2nd source
ZD104	093G 39S 24	T	RLZ 5.6B LLDS	1
ZD103	093G 39S 24	T	RLZ 5.6B LLDS	1
	715G3225	1 2	MAIN PCB FR-4 D/S 64X65MM	1
	J07G	1 S179	wooden pallet	1
	J07G	1 S181	wooden pallet	1
	J15G8B33401		main frame FOR CMO LED_audio	1
	J33G8B42	1 1C9073	KEY PAD	1
	J33G8B43AGB	1L9073	key pad holder	1
	J33G8B44AGB	1L9073	EAR PHONE STAND	1
	J33G8B46AGB	1L9073	web cam cover	1
	J34G8B50AEDC	1B9073	bezel n941 for e941sa	1
	J34G8B51AGBA	6B9073	rear cover n941 for cmo led	1
	J34G8B52AED	1B9073	stand	1
	J34G8B53AED	1B9073	stand cover	1
	J34G8B54AED	1B9073	base-941	1
	J37G8B04	1	hinge	1
	J40G 19T61563A		ID LABEL e941Sa(外销)	2
	J40G POP61524A		USB LABEL N941S	1
	J40G POP61526A		LED LABEL	1
	J40G000361514A		Win7 EPEAT(S) EPA LABEL	1
	J41G780A61523A		QSG e941Sa audio	1
	J44G6002	S171	PAPER PLATE	1
	J44G6002	S179	paper plate	1
	J44G9003210	35	CORNER PAPER	1



	J44G9909101	eps	1
	J44G9909201	eps	1
	J44G9909615 4A	CARTON	1
	J45G 77 6	PE PACKING	2
	J45G 88626 1 R	PE BAG FOR MONITOR	1
	J52G 1185A3A	BIG TAPE FOR CARTON	140
	J52G 1185A3B	BIG TAPE FOR CARTON	2nd source
	J52G6025800910	INSULATE SHEET	1
	J70G900261542A	CD MANUAL e941Sa	1
	KEPCAJA9	key board	1
SW001	077G 5005A1 XL	DOME SWITCH 5 PCS	2
	SMTKEPCAJA9	key board for smt	1
CN001	033G8032 6F X	WAFER 6P 1.25MM	1
CN001	033G8032 6F HR	CONNECTOR	2nd source
R003	061G0603000 FT	RST CHIPR MAX 0R01 1/10W TZAI YUAN	2nd source
R003	061G0603000 JF	RST CHIPR MAX 0R05 1/10W FENGHUA	1
R005	061G0603100 1F	RST CHIPR 1 KOHM +-1% 1/10W	1
R002	061G0603200 1F	RST CHIPR 2 KOHM +-1% 1/10W	1
R004	061G0603200 1F	RST CHIPR 2 KOHM +-1% 1/10W	1
LED01	081G 14501 GP	LED GPTD1210YGC3-HB GUANGPU	1
E715	715G4007K01000004F	KEY PCB FR-4 106.5X14.5MM T1.6MM	2nd source
E715	715G4007K01000004L	KEY PCB FR-4 106.5X14.5MM T1.6MM	1
	Q12G6600 6	FOOT	4
	Q40G000161515A	CARTON LABEL	1
E08907	S89G179T30N521	FFC CABLE	1
E09517	S95G176T10544	FFC CABLE 10PIN 160MM P0.5	2nd source
	USB9QA1J	USB G3501-A-X-X-1-090113	1
CN501	033G3802 5B Y L	CONN 2.0 5P	1
CN502	088G 351 2B TN	USB CONN	2nd source
CN502	088G 3512B1 CL	USB CONN BLACK	1
	SMTUSB9QA1J	USB BOARD FOR SMT	1
C503	065G0603104 12	CER2 0603 X7R 16V 100N P	1
C501	065G060350931J F	CAP CHIP 0603 5PF J 50V NPO	1
C502	065G060350931J F	CAP CHIP 0603 5PF J 50V NPO	1
FB501	071G 56K121 M	CHIP BEAD	1
	715G3501 2	USB PCB 18X40X1.6MM FR-1 S/S 1OZ	1
	USB9QA7J	USB BOARD G2663-T01-X-X-1-100416	1
CN511	033G3802 5B YH L	CONNECTOR 5P 2.0	1
CN511	033G3802 5B YH W	WAFER	2nd source
CN512	088G 352 21CL	USB CONN TYPE A	1
E715	715G2663T01001001C	USB PCB 71X26X1.6MM FR-1 S/S 1OZ	1

**10.3 Model: e941S-- T9A2NS2DWVA4QNE**

Location	Part number	Description	Remark
	026G 800504 H	BARCODE	
	040G 58162435A	P/N LABEL FOR MANUAL PE BAG	
	052G 1211 A	Conductive Tape 55mm *45mm *0.08mm	
	052G 1211 B	Conductive Tape 85mm *40mm *0.09mm	
	052G6019 1	INSULATING TAPE	
E08902	089G 715HAAE01	SIGNAL CABLE	
E08901	089G414A15N IS	POWER	
E09508	095G8014 6WH52	HARNESS 6P(PLUG)-6P(A1253HA HR) 260	
	0D1G1030 6120	screw	
	0M1G 130 5120	SCREW	
	0Q1G1030 6120	SCREW	
	0Q1G1030 6120	SCREW	
	705GHA34043	19" STAND ASS'Y	
	750GLV190A1G21N000	PANEL TPM190A1-L0G C1B FQ TPV	
	ADPCA1603HD1	ADAPTER BOARD	
	AM1G1740 12225 CR3	SCREW	
	CBPCANSA1H1	CONVERSION BOARD	
	H40G 19N61593A	ID LABEL	
	H40G 58169017A	CEL-1 LABEL	
	H40G 58361541A	CARTON LABEL	
	H40G 58361548A	941 USB LABEL	
	H40G 58361549A	Win7 EPEAT(S) EPA LABEL	
	H40G 58361561A	LED LABEL	
	H41G7800615 7G	WARRANTY BOOKLIST	
	H41G780961528A	941 QSG	
	H44G9909615 2A	CARTON	
	H45G 77 6	PE PACKING	
	H45G 87 18 23	PE BAG FOR MONITOR	
	H70G201061522B	CD MANUAL	
	J15G8B33202	main frame FOR CMO LED	
	J33G8B42 1 1C0100	KEY PAD	
	J33G8B43AGB 1L0100	key pad holder	
	J33G8B44AGB 1L0100	EAR PHONE STAND	
	J33G8B46AGB 1L0100	web cam cover	
	J34G8B50AEDE1B0130	bezel FOR e941S	
	J34G8B51AGBA2B0100	rear cover n941 for cmo led	
	J44G9909101	eps	
	J44G9909201	eps	
	KEPCAHA3	KEY BOARD	
	Q45G 76 28 H A	PE BAG FOR MANUAL	
	Q50G 4 10	TIE (Y1900221)	
	Q52G 1185 99	big carton tape for aoc	
E08907	S89G179T30N521	FFC CABLE 30P 210mm P1.0MM	
E09517	S95G176T10544	FFC CABLE 10PIN 160MM P0.5	
	USBAHA1	USB BOARD	
	USBAHA6	USB BOARD	
	AM1G1740 12 47 CR3	SCREW	
	J34G8B52AED 1B0100	stand	

	J34G8B53AED 1B0100	stand cover	
	J34G8B54AED 2B0130	base-941	
	J37G8B04 1	hinge	
	756GHACB A1041	MAIN BOARD-CBPCANSA1H1	
SMTCA-U402	100GANM9001W11	MCU ASS'Y-056G2233 11	
	ADPCA1603HD1	POWER G2892-P01-020-001C-X-1-100414	
GND1	009G6005 1	GROUND TERMINAL	
	040G 45762412B	CBPC LABEL	
IC902	056G 139 3A	PC123Y22FZOF SHARP	
NR901	061G 58100 WD	RST NTCR 10 OHM +-20% 5A THINKING	
C908	063G107K334 6S	0.33UF +-10%	
C903	065G305M1022BP	CAP Y2 1000PF M 250VAC	
C902	065G305M1022BP	CAP Y2 1000PF M 250VAC	
C900	065G306M3322BP	Y1 CAP 3300PF M 250VAC	
C918	067G215P1024XV	CAP 105C 1000UF M 25V	
C922	067G215P4713XV	CAP 105C 470UF M 16V	
C925	067G215P4714XV	CAP 105C 470UF M 25V	
C907	067G315Z10115K	EC 100UF 20% 450V 18*40	
L901	073G 174 65 S2	LINE FILTER 30mH MIN	
L906	073G 253 91 H	IND CHOKE 3.5uH+-10% DADONG	
L905	073G 253 91 H	IND CHOKE 3.5uH+-10% DADONG	
T901	080GL22T 3 N1	X'FMR 490uH YUVA-1093	
CN901	087G 501 32 S	AC SOCKET ST-01CP-BCE-R	
CN902	095G 825 9W518	HARNESS 9P-9P 120MM	
	705GQ793081	D901/D906 ASS'Y	
	705GQ857044	Q901 ASS'Y	
	ADA1603HD1SMT	POWER BOARD FOR SMT	
	LNPCA9401XHD1	CONVERTOR BOARD G3918-P01-X-X-5-100105	
BD901	093G 50460 28	BRIDGE DIODE KBP208G LITEON	
CN406	033G3802 6B Y L	WAFER	
CN404	033G3802 9B Y L	CONN 2.0 9P	
CN403	033G801930F CH JS	CONNECTOR	
	040G 45762412B	CBPC LABEL	
CN101	088G 35315F XH	D-SUB 15PIN VERTICAL CONN WITH SCREW	
X401	093G 2251B J	CRYSTAL 12MHZ NXS12.000AC30F-KAB10	
SW001	077G 5005A1 XL	DOME SW 5 3703701	
CN511	033G3802 5B YH L	CONNECTOR 5P 2.0	
CN512	088G 352 21CL	USB CONN TYPE A	
E715	715G2663T01001001C	USB BOARD PCB	
CN501	033G3802 5B Y L	CONNECTOR 5P 2.0	
CN502	088G 3513B1 CL	USB CONN BLACK	
E09505	095G8014 5DH15	HARNESS 5P(2008)-5P(2008) 300mm	
	051G 200 1	OIL FOR DISAPPEAR	
D901	093G 52 69	DIODE YG902C2RSC 10A/200V TO-220F15	
D906	093G 60526	SCHOTTKY MBRF1060CT ITO-220AB	
	0M1G 930 8120	SCREW	
HS2	Q90G6264 5	HEAT SINK	
Q901	057G 667 21	NO-SUGGEST STP10NK70ZFP	
HS1	090G6064 1	HEAT SINK	
	0M1G 930 8120	SCREW	

IC901	056G 379160	IC FAN6752MY SOP-8	
R907	061G06031001FT	RST CHIP 1K 1/10W 1%	
R918	061G06031002FF	RST CHIPR 10 KOHM +-1% 1/10W FENGHUA	
R928	061G06032002FT	RST CHIP 20K 1/10W 1%	
R916	061G06032002FT	RST CHIP 20K 1/10W 1%	
R925	061G06032002FT	RST CHIP 20K 1/10W 1%	
R920	061G06034701FT	RST CHIP 4K7 1/10W 1%	
R905	061G0603471 JT	RST CHIPR 470OHM +-5% 1/10W TZAI YUAN	
R919	061G08054700FT	RST CHIP 470R 1/8W 1%	
RJ802	061G12060007JT	RST CHIPR MAX 0R05 1/4W 1206	
RJ816	061G12060007JT	RST CHIPR MAX 0R05 1/4W 1206	
R930	061G1206101 JF	RST CHIPR 100 OHM +-5% 1/4W FENGHUA	
R929	061G1206101 JF	RST CHIPR 100 OHM +-5% 1/4W FENGHUA	
R903	061G1206101 JF	RST CHIPR 100 OHM +-5% 1/4W FENGHUA	
R923	061G1206101 JF	RST CHIPR 100 OHM +-5% 1/4W FENGHUA	
R912	061G1206101 JF	RST CHIPR 100 OHM +-5% 1/4W FENGHUA	
R910	061G1206101 JF	RST CHIPR 100 OHM +-5% 1/4W FENGHUA	
R909	061G1206101 JF	RST CHIPR 100 OHM +-5% 1/4W FENGHUA	
R902	061G1206105 JT	RST CHIPR 1MOHM +-5% 1/4W TZAI YUAN	
R901	061G1206105 JT	RST CHIPR 1MOHM +-5% 1/4W TZAI YUAN	
R900	061G1206105 JT	RST CHIPR 1MOHM +-5% 1/4W TZAI YUAN	
R934	061G12062003FT	RST CHIPR 200KOHM +-1% 1/4W TZAI YUAN	
R908	061G1206204 JF	RST CHIPR 200KOHM +-5% 1/4W FENGHUA	
R917	061G1206330 JF	RST CHIPR 33 OHM +-5% 1/4W FENGHUA	
R913	061G1206519 JF	RST CHIPR 5.1OHM +-5% 1/4W FENGHUA	
R931	061G12066804FT	RST CHIPR 6.8MOHM 1% 1/4W TZAI YUAN	
R932	061G12066804FT	RST CHIPR 6.8MOHM 1% 1/4W TZAI YUAN	
R933	061G12066804FT	RST CHIPR 6.8MOHM 1% 1/4W TZAI YUAN	
C923	065G060310232K F	CAP CHIP 0603 1NF K 50V X7R	
C926	065G060310412K Y	CAP CHIP 0603 100N 16V X7R +/-10%	
C924	065G060310412K Y	CAP CHIP 0603 100N 16V X7R +/-10%	
C914	065G060347132K F	NO-SUGGEST 0603 470PF K 50V X7R	
C915	065G080510232K F	CAP 0805 1000PF 10% 50V X7R	
C912	065G080510432K F	CAP CHIP 0805 0.1UF K 50V X7R	
C927	065G080510522K T	CAP 0805 1UF 10% 25V X7R	
C917	065G120610272K Y	CAP CHIP 1206 1NF K 500V X7R	
C916	065G120610272K Y	CAP CHIP 1206 1NF K 500V X7R	
C919	065G120610272K Y	CAP CHIP 1206 1NF K 500V X7R	
	ADA1603HD1AI	POWER BOARD FOR AI	
	040G 45762412B	CBPC LABEL	
C813	067G 4151017LV	EC 100uF 20% 50V RZY 8*11.5	
C804	067G 415330 9L	EC 33UF 20% 100V RZW 8*11.5	
CN802	311GB254B04AAL	PIN HEADER 2.54MM 4P 2P7.2MM/2P4.0MM	
CN801	311GB254B07AAL	PIN HEADER 2.54MM 7P 5P7.2MM/2P4.0MM	
	LNA9401XHD1SMT	CONVERTOR BOARD FOR SMT	
C449	067G 4051014PT	EC 100uF M 25V 6.3*11mm	
C702	067G 4051014PT	EC 100uF M 25V 6.3*11mm	
C707	067G 4051014PT	EC 100uF M 25V 6.3*11mm	
C704	067G 4051014PT	EC 100uF M 25V 6.3*11mm	
U401	056G 562308	IC Scaler NT68168FG/B LQFP-64	

U704	056G 563206	IC LDO AP2114H-1.8TRG1 1A/1.8V SOT-223	
U701	056G 563224	IC LDO AP2114H-3.3TRG1 1A/3.3V SOT-223	
U102	056G 662502	IC ESD AZC199-04S.R7G SOT23-6L	
U103	056G 662502	IC ESD AZC199-04S.R7G SOT23-6L	
U101	056G1133 34	M24C02-WMN6TP	
U402	056G2233 11	IC Pm25LD020C-SCE SIOC-8(150mil) 2M	
Q406	057G 417 12 T	KEC 2N3904S-RTK/PS	
Q404	057G 417 12 T	KEC 2N3904S-RTK/PS	
Q407	057G 417 13 T	KEC 2N3906S-RTK/PS	
Q408	057G 417 13 T	KEC 2N3906S-RTK/PS	
Q405	057G 763940	MOSFET AO3401A SOT-23	
R470	061G0402000 JY	NO-SUGGEST RST CHIPR MAX 0R05 OHM 1/16W	
R467	061G0402000 JY	NO-SUGGEST RST CHIPR MAX 0R05 OHM 1/16W	
R429	061G0402000 JY	NO-SUGGEST RST CHIPR MAX 0R05 OHM 1/16W	
R416	061G0402000 JY	NO-SUGGEST RST CHIPR MAX 0R05 OHM 1/16W	
R411	061G0402000 JY	NO-SUGGEST RST CHIPR MAX 0R05 OHM 1/16W	
R122	061G0402000 JY	NO-SUGGEST RST CHIPR MAX 0R05 OHM 1/16W	
R115	061G0402101 JY	NO-SUGGEST RST CHIPR 100 OHM +-5% 1/16W	
R117	061G0402101 JY	NO-SUGGEST RST CHIPR 100 OHM +-5% 1/16W	
R405	061G0402101 JY	NO-SUGGEST RST CHIPR 100 OHM +-5% 1/16W	
R449	061G0402101 JY	NO-SUGGEST RST CHIPR 100 OHM +-5% 1/16W	
R450	061G0402101 JY	NO-SUGGEST RST CHIPR 100 OHM +-5% 1/16W	
R451	061G0402101 JY	NO-SUGGEST RST CHIPR 100 OHM +-5% 1/16W	
R452	061G0402101 JY	NO-SUGGEST RST CHIPR 100 OHM +-5% 1/16W	
R705	061G0402101 JY	NO-SUGGEST RST CHIPR 100 OHM +-5% 1/16W	
R102	061G0402101 JY	NO-SUGGEST RST CHIPR 100 OHM +-5% 1/16W	
R103	061G0402101 JY	NO-SUGGEST RST CHIPR 100 OHM +-5% 1/16W	
R104	061G0402101 JY	NO-SUGGEST RST CHIPR 100 OHM +-5% 1/16W	
R108	061G0402101 JY	NO-SUGGEST RST CHIPR 100 OHM +-5% 1/16W	
R110	061G0402101 JY	NO-SUGGEST RST CHIPR 100 OHM +-5% 1/16W	
R111	061G0402101 JY	NO-SUGGEST RST CHIPR 100 OHM +-5% 1/16W	
R113	061G0402101 JY	NO-SUGGEST RST CHIPR 100 OHM +-5% 1/16W	
R114	061G0402101 JY	NO-SUGGEST RST CHIPR 100 OHM +-5% 1/16W	
R419	061G0402102 JY	NO-SUGGEST RST CHIPR 1KOHM +-5% 1/16W YA	
R473	061G0402102 JY	NO-SUGGEST RST CHIPR 1KOHM +-5% 1/16W YA	
R474	061G0402102 JY	NO-SUGGEST RST CHIPR 1KOHM +-5% 1/16W YA	
R118	061G0402103 JY	NO-SUGGEST RST CHIPR 10KOHM +-5% 1/16W Y	
R417	061G0402103 JY	NO-SUGGEST RST CHIPR 10KOHM +-5% 1/16W Y	
R433	061G0402103 JY	NO-SUGGEST RST CHIPR 10KOHM +-5% 1/16W Y	
R471	061G0402103 JY	NO-SUGGEST RST CHIPR 10KOHM +-5% 1/16W Y	
R710	061G0402103 JY	NO-SUGGEST RST CHIPR 10KOHM +-5% 1/16W Y	
R406	061G0402104 JF	RST CHIPR 100KOHM +-5% 1/16W FENGHUA	
R462	061G0402105 JF	RST CHIPR 1MOHM 5% 1/16W FENGHUA	
R105	061G0402222 JF	RST CHIPR 2.2KOHM +-5% 1/16W FENGHUA	
R106	061G0402222 JF	RST CHIPR 2.2KOHM +-5% 1/16W FENGHUA	
R709	061G0402223 JF	RST CHIPR 22KOHM 5% 1/16W FENGHUA	
R468	061G0402223 JF	RST CHIPR 22KOHM 5% 1/16W FENGHUA	
R465	061G0402223 JF	RST CHIPR 22KOHM 5% 1/16W FENGHUA	
R414	061G0402223 JF	RST CHIPR 22KOHM 5% 1/16W FENGHUA	
R410	061G0402223 JF	RST CHIPR 22KOHM 5% 1/16W FENGHUA	

R711	061G0402223 JF	RST CHIPR 22KOHM 5% 1/16W FENGHUA	
R435	061G0402223 JF	RST CHIPR 22KOHM 5% 1/16W FENGHUA	
R119	061G0402223 JF	RST CHIPR 22KOHM 5% 1/16W FENGHUA	
R409	061G0402224 JY	RST CHIPR 220KOHM +-5% 1/16W YAGEO	
R466	061G0402331 JY	NO-SUGGEST RST CHIPR 330 OHM +-5% 1/16W	
R109	061G0402391 JF	RST CHIP 390R 1/16W 5% FENGHUA	
R407	061G0402392 JF	RST CHIPR 3.9KOHM +-5% 1/16W FENGHUA	
R427	061G0402392 JF	RST CHIPR 3.9KOHM +-5% 1/16W FENGHUA	
R428	061G0402392 JF	RST CHIPR 3.9KOHM +-5% 1/16W FENGHUA	
R120	061G0402472 JF	RST CHIPR 4.7KOHM +-5% 1/16W FENGHUA	
R121	061G0402472 JF	RST CHIPR 4.7KOHM +-5% 1/16W FENGHUA	
R415	061G0402472 JF	RST CHIPR 4.7KOHM +-5% 1/16W FENGHUA	
R704	061G0402472 JF	RST CHIPR 4.7KOHM +-5% 1/16W FENGHUA	
R436	061G0402563 JF	RST CHIPR 56KOHM 1/16W FENGHUA	
R116	061G0402750 JY	NO-SUGGEST RST CHIPR 75OHM +-5% 1/16W YA	
R112	061G0402750 JY	NO-SUGGEST RST CHIPR 75OHM +-5% 1/16W YA	
R107	061G0402750 JY	NO-SUGGEST RST CHIPR 75OHM +-5% 1/16W YA	
R101	061G0603000 JF	RST CHIPR MAX 0R05 1/10W FENGHUA	
R469	061G0603102 JF	RST CHIPR 1K OHM +-5% 1/10W FENGHUA	
R434	061G1206221 JF	RST CHIPR 220 OHM +-5% 1/4W FENGHUA	
R421	061G1206221 JF	RST CHIPR 220 OHM +-5% 1/4W FENGHUA	
C106	065G040210232K A	CAP 0402 1NF K 50V X7R	
C420	065G040210412K T	CAP CHIP 0402 100nF 16V X7R	
C431	065G040210412K T	CAP CHIP 0402 100nF 16V X7R	
C433	065G040210412K T	CAP CHIP 0402 100nF 16V X7R	
C441	065G040210412K T	CAP CHIP 0402 100nF 16V X7R	
C701	065G040210412K T	CAP CHIP 0402 100nF 16V X7R	
C703	065G040210412K T	CAP CHIP 0402 100nF 16V X7R	
C705	065G040210412K T	CAP CHIP 0402 100nF 16V X7R	
C706	065G040210412K T	CAP CHIP 0402 100nF 16V X7R	
C709	065G040210412K T	CAP CHIP 0402 100nF 16V X7R	
C417	065G040210412K T	CAP CHIP 0402 100nF 16V X7R	
C401	065G040210412K T	CAP CHIP 0402 100nF 16V X7R	
C406	065G040210412K T	CAP CHIP 0402 100nF 16V X7R	
C407	065G040210412K T	CAP CHIP 0402 100nF 16V X7R	
C409	065G040210412K T	CAP CHIP 0402 100nF 16V X7R	
C410	065G040210412K T	CAP CHIP 0402 100nF 16V X7R	
C413	065G040210412K T	CAP CHIP 0402 100nF 16V X7R	
C414	065G040210412K T	CAP CHIP 0402 100nF 16V X7R	
C415	065G040210412K T	CAP CHIP 0402 100nF 16V X7R	
C416	065G040210412K T	CAP CHIP 0402 100nF 16V X7R	
C102	065G040222031J A	CAP 0402 22PF J 50V NPO	
C408	065G040222415K Y	NO-SUGGEST CAP CHIP 0402 220nF 16V X5R	
C419	065G040222415K Y	NO-SUGGEST CAP CHIP 0402 220nF 16V X5R	
C103	065G040233031J A	CAP 0402 33PF J 50V NPO	
C411	065G040247031J Y	CAP CHIP 0402 47pF 50V NPO +/-5%	
C412	065G040247031J Y	CAP CHIP 0402 47pF 50V NPO +/-5%	
C113	065G040247312K A	8.31HIP 0402 47nF K 16V X7R	
C110	065G040247312K A	8.31HIP 0402 47nF K 16V X7R	
C109	065G040247312K A	8.31HIP 0402 47nF K 16V X7R	

C107	065G040247312K	A	8.31HIP 0402 47nF K 16V X7R
C105	065G040247312K	A	8.31HIP 0402 47nF K 16V X7R
C101	065G040247312K	A	8.31HIP 0402 47nF K 16V X7R
C444	065G060310432K	F	CAP CHIP 0603 0.1UF K 50V X7R
C421	065G060310512K	T	CAP CHIP 0603 1uF K 16V X7R
C451	065G060310605M	T	MLCC 0603 10UF 6.3V X5R +-20%
C116	065G060322422K	T	CAP CHIP0603 220NF K 25V X7R
C430	065G080547525K	T	CAP MLCC 0805 4.7uF K 25V X5R
C442	065G080547525K	T	CAP MLCC 0805 4.7uF K 25V X5R
C443	065G080547525K	T	CAP MLCC 0805 4.7uF K 25V X5R
FB408	071G 56K121	M	CHIP BEAD 120OHM 6A MGLB2012-120T-LF
FB404	071G 56K121	M	CHIP BEAD 120OHM 6A MGLB2012-120T-LF
FB403	071G 56V301	M	CHIP BEAD 2012 300 OHM
FB406	071G 56V301	M	CHIP BEAD 2012 300 OHM
FB101	071G 59K190	M	CHIP BEAD 0603 19R/500mA
FB102	071G 59K190	M	CHIP BEAD 0603 19R/500mA
FB103	071G 59K190	M	CHIP BEAD 0603 19R/500mA
D101	093G 64 42	L	DIODE LBAV70LT1G SOT-23 LRC
ZD103	093G 39S 24	T	RLZ 5.6B LLDS
ZD104	093G 39S 24	T	RLZ 5.6B LLDS
	715G3225 1 2		MAIN BOARD PCB
CN001	033G8032 6F	X	WAFER 6P 1.25MM
R003	061G0603000	JF	RST CHIPR MAX 0R05 1/10W FENGHUA
R005	061G0603100	1F	RST CHIPR 1 KOHM +-1% 1/10W
R004	061G0603200	1F	RST CHIPR 2 KOHM +-1% 1/10W
R002	061G0603200	1F	RST CHIPR 2 KOHM +-1% 1/10W
LED01	081G 14501	GP	LED GPTD1210YGC3-HB
E715	715G4007K01000004L		KEY BOARD PCB
C503	065G0603104	12	CER2 0603 X7R 16V 100N P
C501	065G0603509	31	CHIP 5PF +-0.5PF 50V NPO
C502	065G0603509	31	CHIP 5PF +-0.5PF 50V NPO
FB501	071G 56K121	M	CHIP BEAD 120OHM 6A MGLB2012-120T-LF
	715G3501 2		USB BOARD PCB
D903	093G 6026T52T		RECTIFIER DIODE FR107
CN901	006G 31500		EYELET
IC903	056G 158 10	T	IC AS431AZTR-E1 TO-92 BY AAC
Q904	057G 530503	T	2SD1207T
R906	061G152M10452T	SY	RST MOFR 100KOHM +-5% 2WS FUTABA
R924	061G152M33852T		RST MOFR 0.33 OHM +-5% 2WS
R911	061G152M68152T		RST MOFR 680 OHM +-5% 2WS
R915	061G152M68152T		RST MOFR 680 OHM +-5% 2WS
C911	065G 2K152 2T6921		CAP CER 1500pF K 2KV Y5P
C920	067G 2046812KT		CS CAP 680uF 10V 8*11 mm
C913	067G215Y2207KT		CAP 105°C 22UF M 50V KINGNICH
FB902	071G 55 9	T	FERRITE BEAD 3.5*6*0.8-T52
FB901	071G 55 29		FERRITE BEAD
F901	084G 56 4W		FUSE 4A 250V
F902	084G 56 4W		FUSE 4A 250V
ZD901	093G 3957952T		GDZJ18C
D904	093G 6038T52T		FR103 AO

J913	095G 90 23	JUMPER WIRE	
J921	095G 90 23	JUMPER WIRE	
J912	095G 90 23	JUMPER WIRE	
J911	095G 90 23	JUMPER WIRE	
J910	095G 90 23	JUMPER WIRE	
J909	095G 90 23	JUMPER WIRE	
J908	095G 90 23	JUMPER WIRE	
J907	095G 90 23	JUMPER WIRE	
J906	095G 90 23	JUMPER WIRE	
J905	095G 90 23	JUMPER WIRE	
J904	095G 90 23	JUMPER WIRE	
J903	095G 90 23	JUMPER WIRE	
J902	095G 90 23	JUMPER WIRE	
J901	095G 90 23	JUMPER WIRE	
FB602	095G 90 23	JUMPER WIRE	
J806	095G 90 23	JUMPER WIRE	
J604	095G 90 23	JUMPER WIRE	
	715G2892P01020001C	ADAPTER BOARD PCB	
CN803	033G801910Y H	FPC CONN. 0.5mm SMT 10P	
IC801	056G 379185	AC/DC CONVERTER TA9690GN-A1-0-TR SOP-24	
Q801	057G 763 92	FET P8008HV 4A/80V SOP-8	
R823	061G0603000 JF	RST CHIPR MAX 0R05 1/10W FENGHUA	
R814	061G0603100 JF	RST CHIPR 10 OHM 5% 1/10W FENGHUA	
R807	061G0603100 JF	RST CHIPR 10 OHM 5% 1/10W FENGHUA	
R812	061G0603101 JF	RST CHIPR 100 OHM +-5% 1/10W FENGHUA	
R845	061G0603101 JF	RST CHIPR 100 OHM +-5% 1/10W FENGHUA	
R810	061G0603102 JF	RST CHIPR 1K OHM +-5% 1/10W FENGHUA	
R806	061G0603103 JF	RST CHIPR 10K OHM +-5% 1/10W FENGHUA	
R813	061G0603103 JF	RST CHIPR 10K OHM +-5% 1/10W FENGHUA	
R809	061G0603104 JT	RST CHIP 100K 1/10W 5% TZAI YUAN	
R833	061G0603109 JT	RST CHIP 1R 1/10W 5% TZAI YUAN	
R832	061G0603109 JT	RST CHIP 1R 1/10W 5% TZAI YUAN	
R831	061G0603109 JT	RST CHIP 1R 1/10W 5% TZAI YUAN	
R830	061G0603109 JT	RST CHIP 1R 1/10W 5% TZAI YUAN	
R829	061G0603109 JT	RST CHIP 1R 1/10W 5% TZAI YUAN	
R828	061G0603109 JT	RST CHIP 1R 1/10W 5% TZAI YUAN	
R827	061G0603109 JT	RST CHIP 1R 1/10W 5% TZAI YUAN	
R826	061G0603109 JT	RST CHIP 1R 1/10W 5% TZAI YUAN	
R805	061G0603124 JT	RST CHIP 120K 1/10W 5% TZAI YUAN	
R842	061G06031503FT	RST CHIPR 150KOHM +-1% 1/10W TZAI YUAN	
R804	061G06032702FT	RST CHIP 27K 1/10W 1%	
R824	061G06034302FT	RST CHIPR 43KOHM 1% 1/10W TZAI YUAN	
R822	061G08051004FT	RST CHIP R 1 MOHM +-1% 1/8W	
R825	061G1206000 JF	RST CHIPR MAX0R05 1/4W FENGHUA	
F801	061G12060004JF	RST CHIPR MAX0R05 4A 1/4W FENGHUA	
R801	061G1206308 JF	RST CHIPR 0.3 OHM +-5% 1/4W FENGHUA	
R802	061G1206308 JF	RST CHIPR 0.3 OHM +-5% 1/4W FENGHUA	
C814	065G060310131J Y	CAP CHIP 0603 100P 50V NPO +/-5%	
C805	065G060347412K T	CAP CHIP 0603 0.47UF K 16V X7R	
C803	065G080510432K F	CAP CHIP 0805 0.1UF K 50V X7R	



C801	065G080510432K F	CAP CHIP 0805 0.1UF K 50V X7R	
C807	065G080522512K T	CAP CHIP 0805 2.2uF K 16V X7R	
C806	065G080522522K T	NO-SUGGEST 0805 2.2uF K 25V X7R	
L801	073G253S 90 X	SMD CHOKE 22uH 3A HF	
ZD801	093G 60S907 T	SCHOTTKY B3100B 3A 100V SMB	
	715G3918P03000004C	CONVERTER BOARD PCB	

## Free Manuals Download Website

<http://myh66.com>

<http://usermanuals.us>

<http://www.somanuals.com>

<http://www.4manuals.cc>

<http://www.manual-lib.com>

<http://www.404manual.com>

<http://www.luxmanual.com>

<http://aubethermostatmanual.com>

Golf course search by state

<http://golfingnear.com>

Email search by domain

<http://emailbydomain.com>

Auto manuals search

<http://auto.somanuals.com>

TV manuals search

<http://tv.somanuals.com>