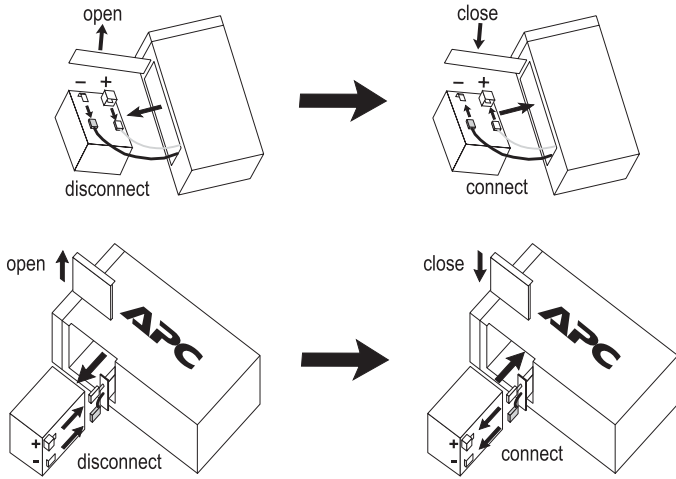
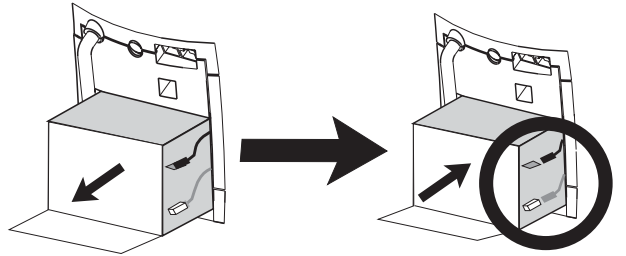


# Battery Cartridge Replacement

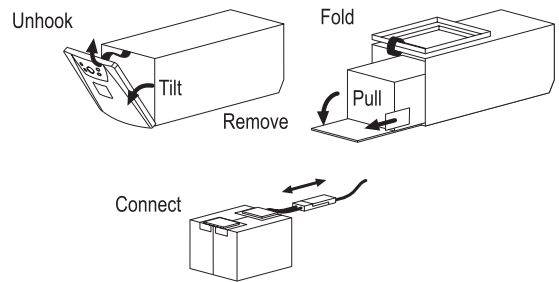
Back-UPS or BK (200 - 500 VA) and  
Back-UPS Pro, BK Pro or SU (280 - 420 VA)



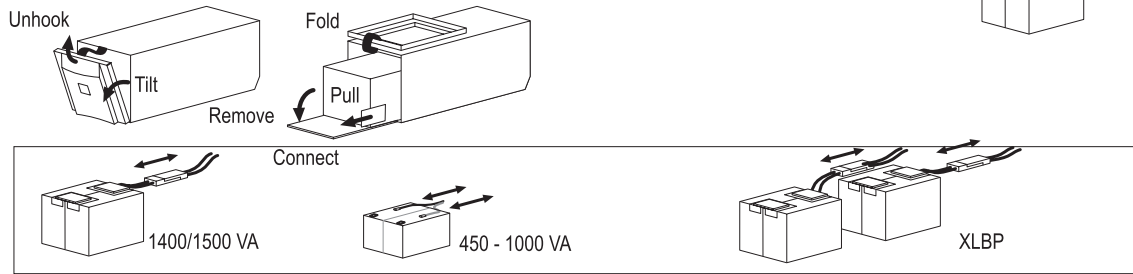
Back-UPS Pro USB (350, 500, and 650 VA)



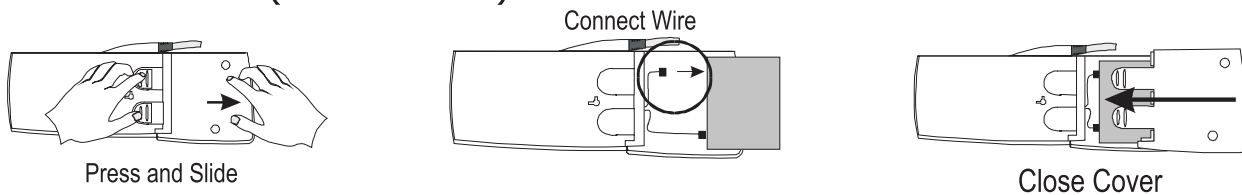
Back-UPS (1000 and 1400 VA)



Smart-UPS (450 - 1500 VA) and  
Smart-UPS XLBP

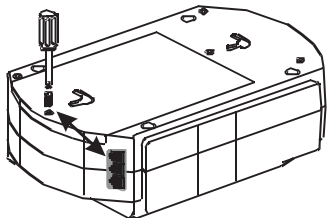


Back-UPS Office (250 - 500 VA)

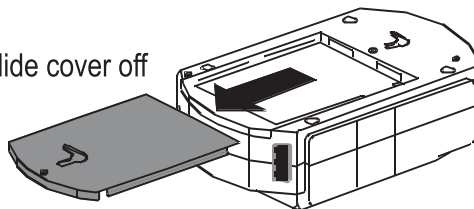


## Back-UPS ES 350 and ES 500 and ES 550

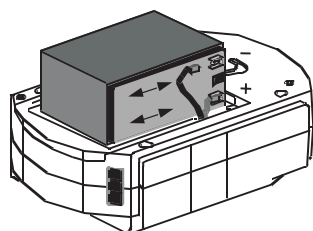
remove screw



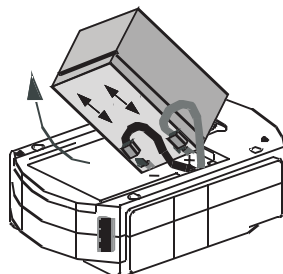
slide cover off



disconnect wires, replace with new battery and reconnect wires.

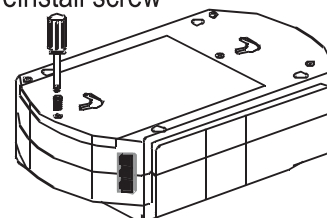


Back-UPS ES 500



Back-UPS ES 350

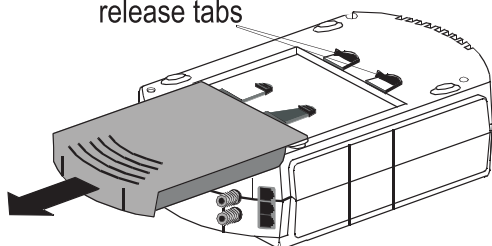
Close cover and  
reinstall screw



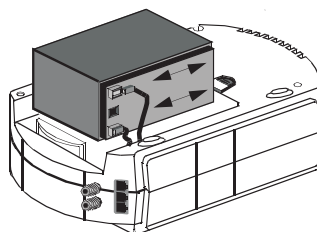
## Back-UPS ES 725

press release tabs and slide off cover

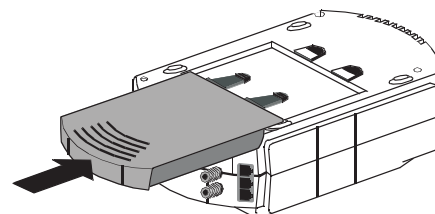
release tabs



disconnect wires, replace with new battery  
and reconnect wires.



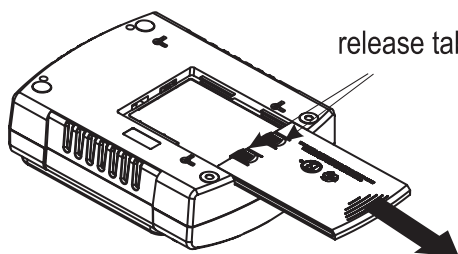
close cover



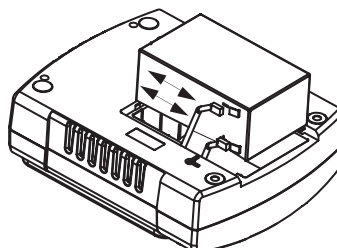
## Back-UPS 120V ES 350/450/550 and 220V ES 400/550/700

press release tabs and slide off cover

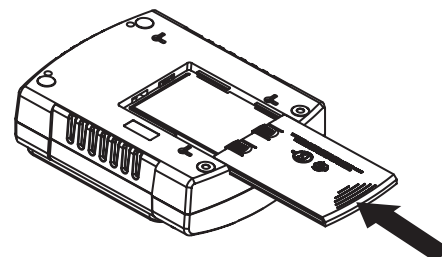
release tabs



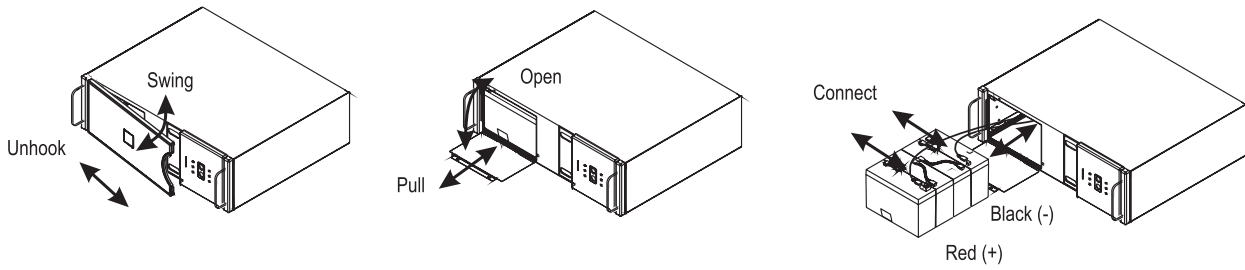
disconnect wires, replace with new battery  
and reconnect wires.



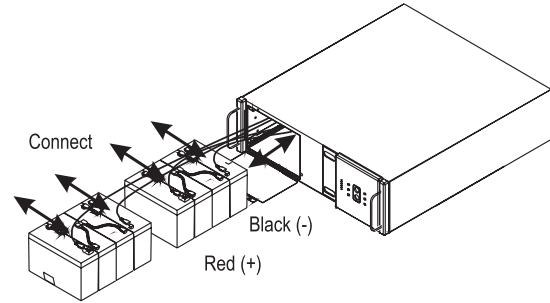
close cover



## Smart-UPS Rackmount (all 5.25" tall models)

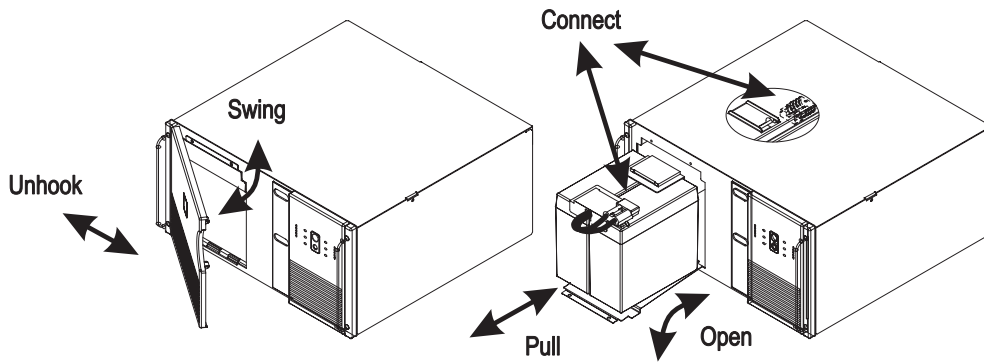


MODELS 700-1400

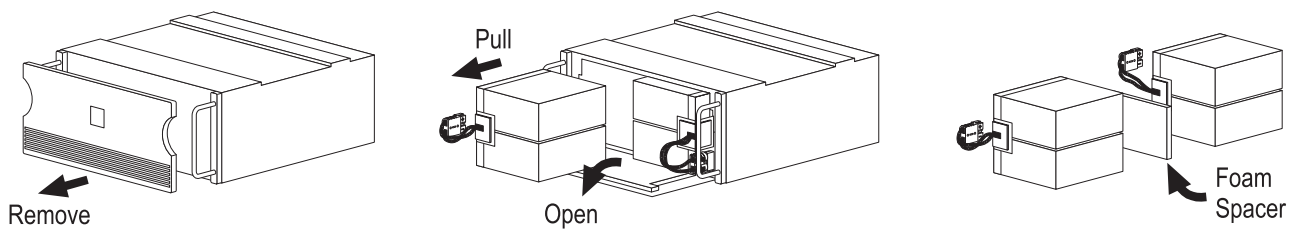


MODELS 2200-3000

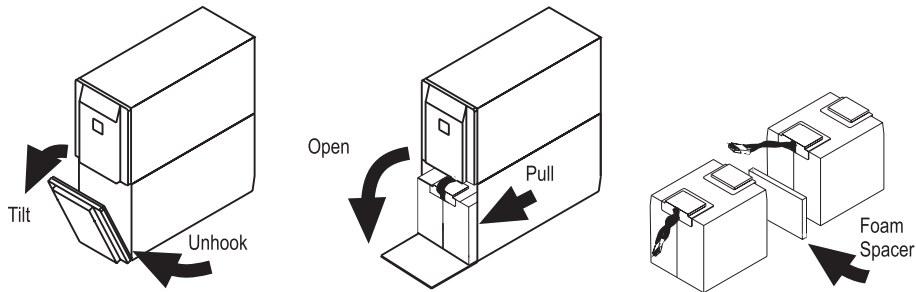
## Smart-UPS Rackmount (all 8.75" tall models)



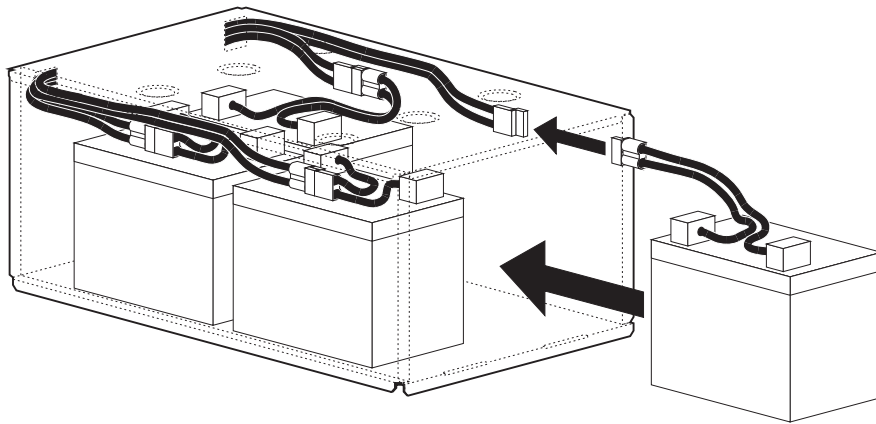
## Smart-UPS Rackmount XL Battery Packs



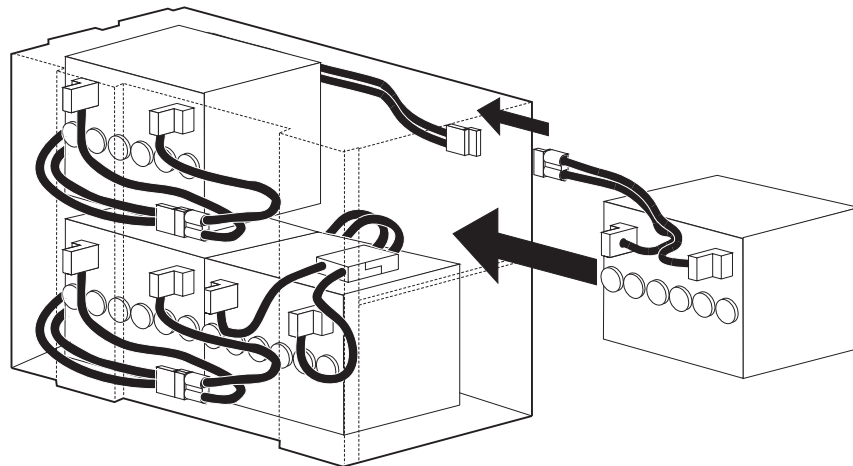
## Smart-UPS (2200 and 3000 VA)



## UXBP (24, 48, 48M)



## SmartCell XR

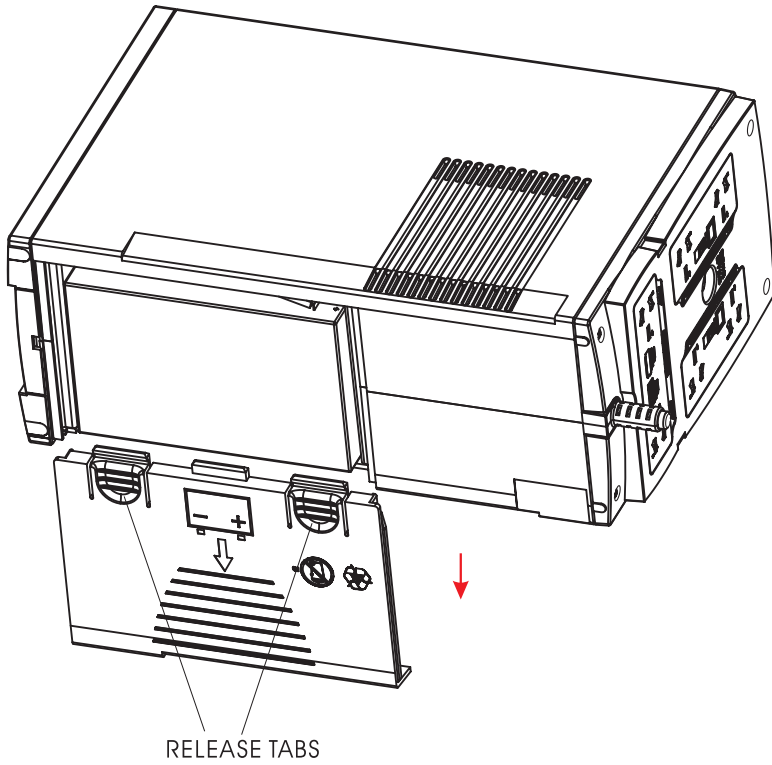


Dispose

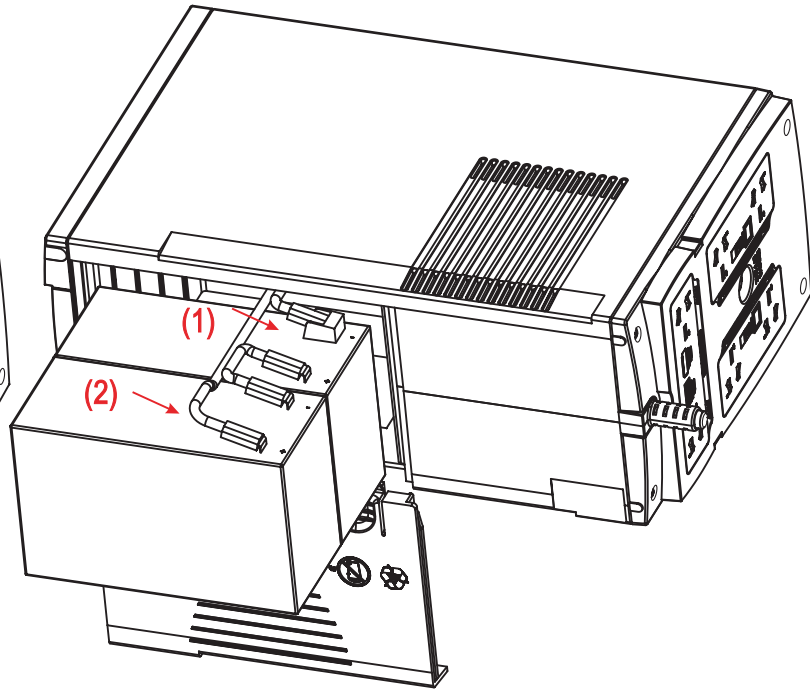


# Back-UPS BR1000-CH

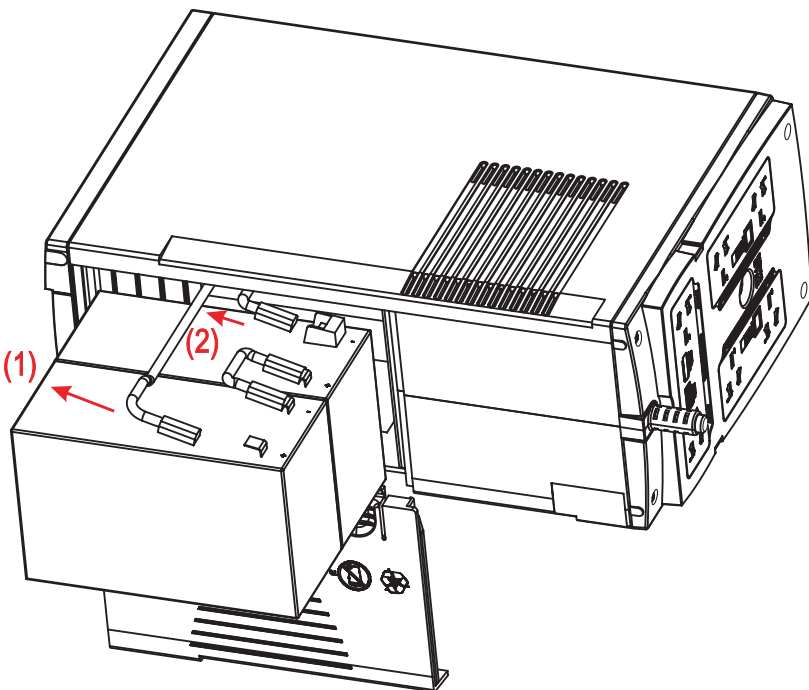
1 PRESS RELEASE TABS AND SLIDE OFF BATTERY DOOR.



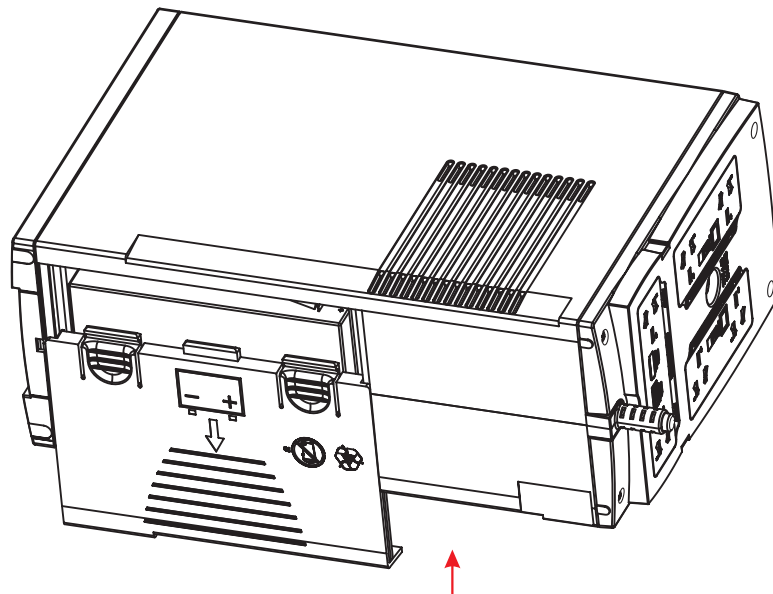
3 REPLACE THE NEW BATTERY AND CONNECT THE WIRES.



2 DISCONNECT THE BATTERY WIRES.



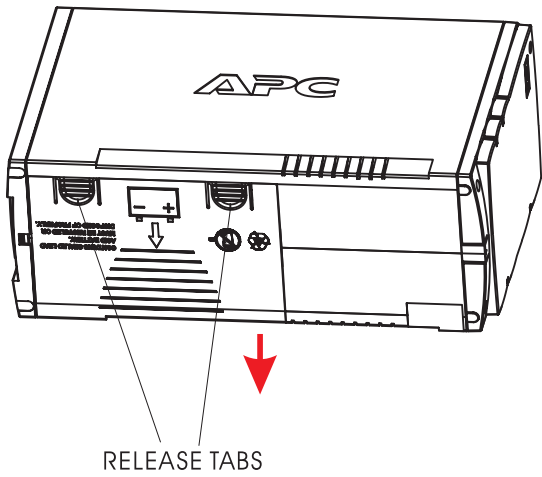
4 CLOSE THE BATTERY DOOR.



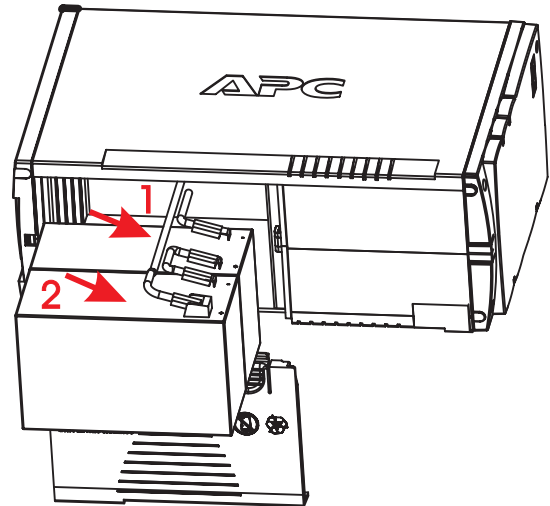
990-0179J

# Back-UPS BX900R/BX1200R/DL1000VNT BR1100CI/BR1100CI-RS/BR1100CI-AS/BR1100CI-IN BX1300LCD/BX1500LCD/BN1250LCD

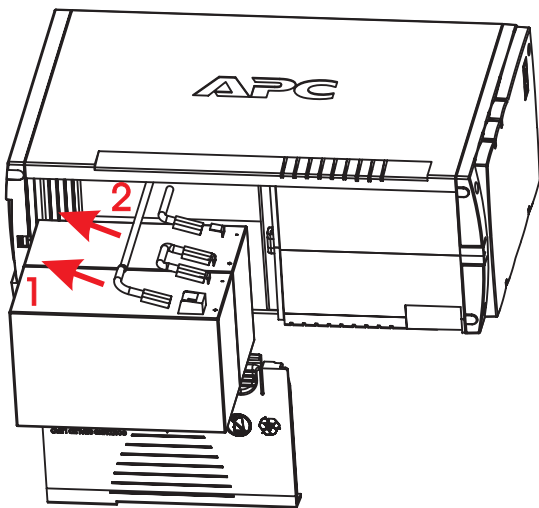
1 PRESS RELEASE TABS AND SLIDE OFF BATTERY DOOR.



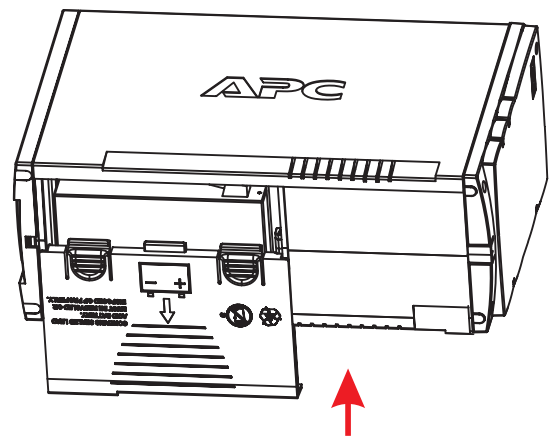
3 REPLACE THE NEW BATTERY AND CONNECT THE WIRES.



2 DISCONNECT THE BATTERY WIRES.



4 CLOSE THE BATTERY DOOR.



## Free Manuals Download Website

<http://myh66.com>

<http://usermanuals.us>

<http://www.somanuals.com>

<http://www.4manuals.cc>

<http://www.manual-lib.com>

<http://www.404manual.com>

<http://www.luxmanual.com>

<http://aubethermostatmanual.com>

Golf course search by state

<http://golfingnear.com>

Email search by domain

<http://emailbydomain.com>

Auto manuals search

<http://auto.somanuals.com>

TV manuals search

<http://tv.somanuals.com>