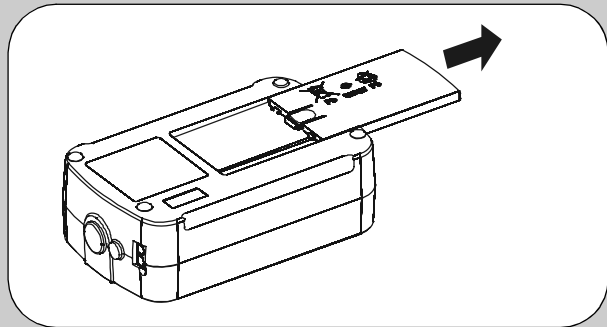


1 Connect Battery

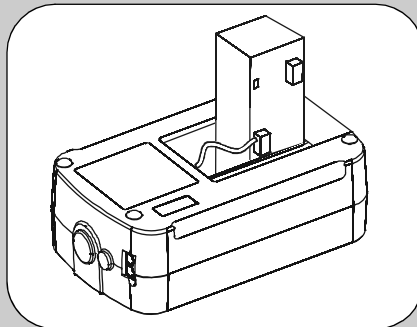
For safety, the Back-UPS ES is shipped with one battery wire disconnected. The UPS will not operate until the wire is connected to the touch-safe battery terminal.

NOTE: Small sparks may occur during battery connection. This is normal.

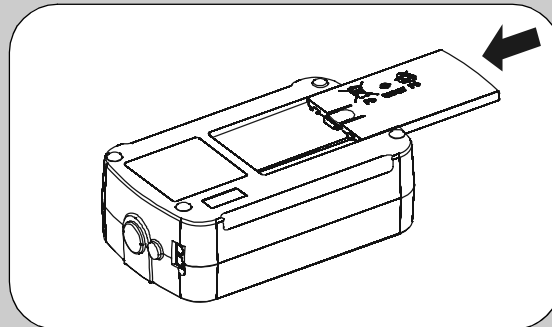
1 Turn the Back-UPS ES over and press in the release tab. Slide the plastic battery cover off of the Back-UPS.



2 Connect the battery wire firmly to the battery terminal.



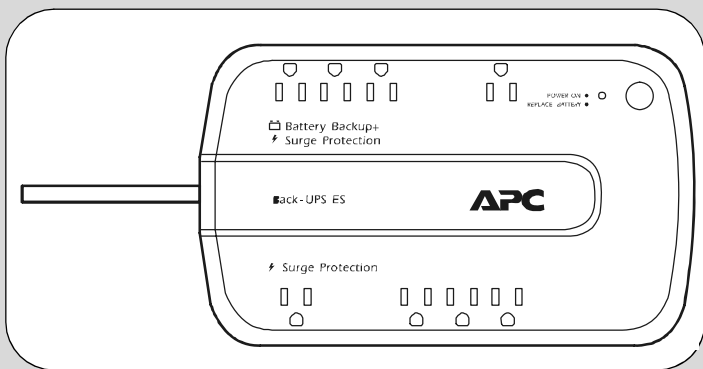
3 Insert the battery back into the compartment. Slide the plastic battery cover until the release tab locks into place.



2 Connect Equipment

Battery Back-up + Surge Protection

These outlets are powered whenever the Back-UPS ES is switched ON. During a power outage or other utility problems (brownouts, over-voltages), these outlets will be powered for a limited time by the Back-UPS ES. Plug your computer, monitor, and other peripheral devices into the outlets.

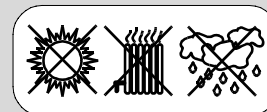


Surge Protection

These outlets provide full-time protection from surges even if the Back-UPS ES is switched OFF. Plug your printer, fax machine, scanner, or other peripherals that do not need battery power into these outlets.

Place the Back-UPS ES to avoid:

- Direct sunlight
- Excessive heat
- Excessive humidity or contact with fluids



Plug the Back-UPS ES power cord directly into a wall outlet; not into a surge protector or power strip.

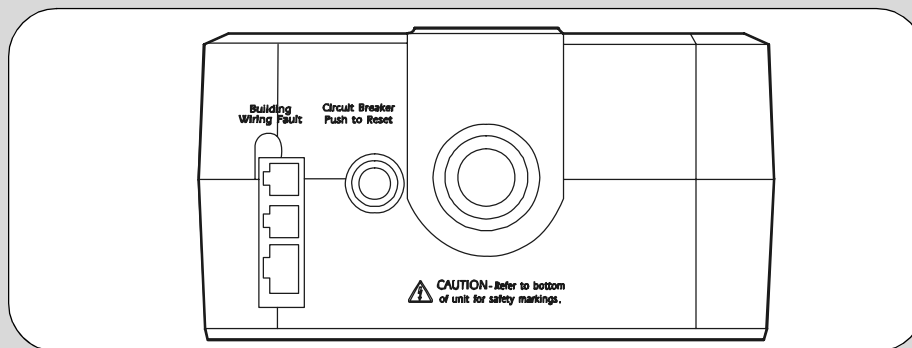
Connect Computer Cable

The supplied cable and software provide automatic file saving and shutdown of the operating system in the case of a sustained power outage.

Connect the cable to the Data Port of the Back-UPS ES. Connect the other end of the cable to the USB port on your computer. The software will automatically find the computer's USB Port.

Connect Modem / Phone / DSL / Fax

The Back-UPS protects a single line (2-wire) phone (including Digital Subscriber Line - DSL), Home Phoneline Networking Association (HPNA) type equipment, modem, or fax machines from surges when connected through the UPS as shown in the drawing below.



3 Turn the Unit On and Install the Software

Press the ON/OFF switch turn the unit ON.

A single short beep and the green "Power On" indicator confirms the Back-UPS ES is on and ready to provide protection.

The Back-UPS ES should charge for at least 16 hours to ensure sufficient runtime. The unit is being charged whenever it is connected to utility power, whether the unit is turned ON or OFF.

If the red Building Wiring Fault indicator (located on the end near the power cord) is lit, your building wiring presents a shock hazard that should be corrected by a qualified electrician.

Install the PowerChute Personal Edition software.

Place the PowerChute CD into the computer and following the installation instructions on the screen.

4 Transfer Voltage and Sensitivity Adjustment (Optional)

To adjust the transfer voltage:

1. Plug the Back-UPS into the utility power source. The Back-UPS will be in "Standby mode" (no indicators are lit).
2. Press the ON/OFF push button fully in for 10 seconds. The Online LED will begin glowing in a cyclical order: GREEN-AMBER-RED, indicating it is going into "Program mode".
3. The Back-UPS will then indicate the current sensitivity, as shown in the *Transfer Voltage and Sensitivity Adjustment* table below.
4. To select the LOW sensitivity setting, press the ON/OFF push button until the LED begins flashing GREEN.
5. To select the MEDIUM sensitivity setting, press the ON/OFF push button until the LED begins flashing RED.
6. To select the HIGH sensitivity setting, press the ON/OFF push button until the LED begins flashing AMBER.
7. To exit Programming mode, once sensitivity is set, wait approximately 5 seconds, and all of the LED indicators will be off (unlit).

Status Indicators

The Back-UPS ES indicates operating status using a combination of visual and audible indicators. Use the following table to identify the status of the Back-UPS ES.

Status	Visual Indications (Power On - Green) (Replace Battery - Red)	Audible Indication	Alarm Terminates When
Power On - UPS is supplying conditioned utility power to the load.	Power On pushbutton - ON (lit)	None	Not applicable.
On Battery - UPS is supplying battery power to the load connected to the Battery outlets.	Power On pushbutton - ON (off during beep)	Beeping 4 times every 30 seconds	UPS transfers back to Power On operation, or when UPS is turned off.
Low Battery Warning - UPS is supplying battery power to the load connected to the battery outlets, and the battery is near exhaustion.	Power On indicator is flashing	Rapid beeping (every 1/2 second)	UPS transfers back to normal operation, or when UPS is turned off.
Replace Battery - The battery is disconnected. The battery is in need of charging, or is at the end of its usual life and must be replaced.	Replace Battery indicator is Flashing Power On and Replace Battery indicators - flashing (alternating)	Constant tone Constant tone	UPS is turned off with the power switch.
Overload Shutdown - During On Battery operation a battery power supplied outlet overload was detected.	None	Constant tone	UPS is turned off with the power switch.
Sleep Mode - During On Battery operation the battery power has been completely exhausted and the UPS is waiting for utility power to return to normal.	None	Beeping once every 4 seconds	Utility power is restored, or if utility power is not restored within 32 seconds, or the UPS is turned off.
Building Wiring Fault - Your building wiring presents a shock hazard that should be corrected by a licensed electrician.	Building Wiring Fault LED (red) - ON	None	UPS is unplugged, or UPS is plugged into a properly wired outlet.

Indicators Flashing	Sensitivity Setting	Input Voltage Range (For Utility Operation)	When to Use
Green Flashing	LOW	88-142	Input voltage is extremely low or high. Not recommended for computer loads.
Red Flashing	MEDIUM (factory default)	92-139	Back-UPS frequently goes on battery.
Amber Flashing	HIGH	96-136	Connected equipment is sensitive to voltage fluctuations.

Troubleshooting

Problem	Probable Cause	Solution
Back-UPS ES will not turn on.	The battery is disconnected, and either power is unavailable at the wall outlet, or utility power is having a "brownout" or an "over voltage" condition.	Connect the battery (see <i>Connect Battery</i>) and ensure power is available at the wall outlet. If battery is connected and power is unavailable, the unit can be "cold started" (operated on battery power) by holding the power button down until two beeps are heard.
No power available at the Surge Protection outlets.	Surge Protection outlets were overloaded. Utility power not available at the wall outlet.	Reduce the amount of equipment plugged into the Surge Protection outlets. Ensure the fuse or circuit breaker for the outlet is not tripped, and that the wall switch controlling the outlet (if any) is in the ON position.
Back-UPS is on, but Replace Battery indicator flashes, and unit emits a constant tone.	Battery is disconnected.	Connect the battery (see <i>Connect Battery</i> diagram).
Connected equipment loses power.	Equipment is connected to the "Surge Protection" outlets. The Back-UPS ES is overloaded. PowerChute Personal Edition software has performed a shutdown due to a power failure. The Back-UPS ES has exhausted its available battery power. Connected equipment does not accept the step-approximated sine waveform from the Back-UPS ES. The Back-UPS ES may require service.	Ensure the equipment you want to stay powered during a power failure is plugged into the "Battery Backup plus Surge Protection" outlets and NOT the "Surge Protection Only" outlets. Make sure the equipment plugged into the outlets of the unit are not overloading its capacity. Try removing some of the equipment and see if the problem continues. The Back-UPS ES is operating normally. The Back-UPS ES can only operate on battery power for a limited amount of time. The unit will eventually turn off when the available battery power has been used. Allow the unit to recharge for 16 hours before expecting maximum runtime. The output waveform is designed for computers and computer-related equipment. It is not designed for use with motor-type equipment. Contact APC Technical Support for further troubleshooting.
The Power On indicator is lit and the Back-UPS ES beeps four times every 30 seconds.	The Back-UPS ES is On Battery.	The Back-UPS ES is operating normally, and using battery power. Once On Battery, you may want to save your current work, power down your equipment, and turn the unit OFF. Once normal power is restored, you may turn the unit back ON, and power your equipment.
The Power On indicator flashes and the Back-UPS beeps twice per second at the same time.	Battery capacity is low (about 2 minutes of use remaining).	The Back-UPS ES is about to shut off due to a low battery charge condition! When the unit beeps twice every second, the battery has about 2 minutes of power remaining. Immediately power down your computer, and turn the unit OFF. When normal power returns, the unit will recharge the battery.
Building Wiring Fault indicator is lit.	Your building wiring presents a shock hazard. Using the Back-UPS with this condition will void the warranty.	Call a qualified electrician for service.
Inadequate runtime.	The battery is not fully charged. Battery is near the end of useful life.	Allow the unit to charge by leaving it plugged into the wall at least 16 hours. As a battery ages, the amount of runtime available will decrease. You can replace the battery by ordering one at www.apc.com . Batteries also age prematurely if the Back-UPS ES is placed near excessive heat.
No phone/fax/DSL signal from the Back-UPS.	Data line from the ISP or wall outlet is connected to the wrong jack on the Back-UPS.	Make sure the data line from the wall outlet is connected to the jack labeled "Wall Outlet".
Internet connection lost during power outage.	Modem lost AC power.	Plug the modem's AC power cord into one of the "Battery Back-up Plus Surge Protection outlets".

Specifications

Model BE450/550G		
Input	Voltage	120 Vrms nominal
	Frequency	60 Hz \pm 3
	Brownout Transfer	92 Vrms, typical
	Over-voltage Transfer	139 Vrms, typical
Output	UPS Capacity (4 outlets)	450 VA/550 VA ; 257 W/330 W
	Total Amperage (8 outlets)	12 Amps (including UPS output)
	Voltage - On Battery	115 Vrms \pm 8% (step-approximated sine wave)
	Frequency - On Battery	60 Hz \pm 1 Hz
	Transfer Time	6 ms typical, 10 ms maximum
Protection and Filter	AC Surge Protection	Full time, 340 joules
	Phone/fax/DSL Surge Protection	Single line (2-wire)
	EMI/RFI Filter	Full time
	AC Input	Resettable circuit breaker
Battery	Type	Sealed, maintenance-free lead acid
	Average Life	3 - 5 years depending on the number of discharge cycles and environmental temperature
Physical	Net Weight	Back-UPS 450: 10 lb (4.5 kg) Back-UPS 550: 12.4 lb (5.6 kg)
	Size	11.2 in (H) x 7.1 in (W) x 3.4 in (D) (28.2 cm x 18 cm x 8.7cm)
	Operating Temperature	+32°F to 104°F (0°C to 40°C)
	Storage Temperature	+5°F to 113°F (-15°C to 45°C)
	Operating Relative Humidity	0 to 95% non-condensing
	Operating Elevation	0 to 10,000 ft (0 to 3,000m)
Safety and Regulatory	Safety Approvals	TUV C-US certified; UL 1778 standard per CSA standard C22.2 No. 107.3, FCC part 68 & FCC part 15 Class B, NOM certified
	EMC Compliance	Notice: This device complies with part 68 and part 15 of the FCC rules. Operation is subject to the following two conditions: (1) This device may not cause harmful interference, and (2) This device must accept any interference received, including interference that may cause undesired operation. "On the bottom of this equipment is a label that contains, among other information, the FCC registration number and ringer equivalence number (REN) for this equipment. If requested, this information must be provided to the telephone company."

Order Replacement Battery

Replace with an APC qualified battery. Replacement batteries can be ordered from www.apc.com (valid credit card required). The replacement battery part number for this Back-UPS 450 is RBC 114, and for Back-UPS 550 is RBC 110.

Warranty

The standard warranty is 3 years from the date of purchase. APC's standard procedure is to replace the original unit with a factory reconditioned unit. Customers who must have the original unit back due to assigned asset tags and set depreciation schedules must declare such a need at first contact with APC Technical Support. APC will ship the replacement unit once the defective unit is received by the repair department or cross-ship upon the provision of a valid credit card number. The customer pays for shipping to APC, and APC pays ground freight transportation costs back to the customer.

Service

Please DO NOT RETURN Back-UPS ES to the place of purchase under any circumstances.

1. Consult the Troubleshooting section to eliminate common problems.
 2. Verify the battery is connected (see *Connect Battery*) and that the Circuit Breaker is not tripped (see *Troubleshooting* section).
- If you still have problems or questions, please contact APC via the internet or at one of the phone numbers listed below.
3. Before contacting APC, please be sure to record the date purchased, UPS model, and serial number (on bottom of unit).
 4. Be prepared to troubleshoot the problem over the telephone with a Technical Support Representative. If this is not successful, the representative will issue a Return Material Authorization Number (RMA#) and a shipping address.
 5. Pack the unit in its original packaging. If the original packaging is not available, ask APC Technical Support about obtaining a new set. Pack the unit properly to avoid damage in transit. Never use foam beads for packaging. Damage sustained in transit is not covered under warranty (insuring the package for full value is recommended).
 6. Write the RMA# on the outside of the package.
 7. Return the unit by insured carrier to the address given to you by APC Technical Support.

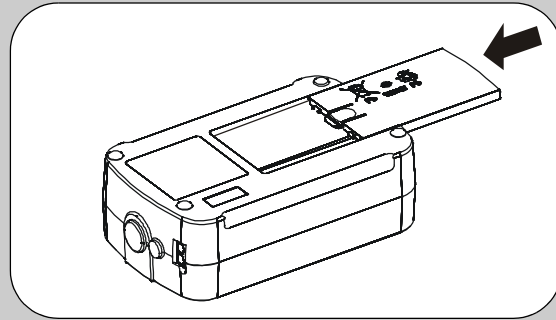
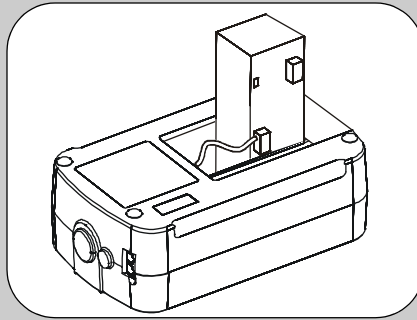
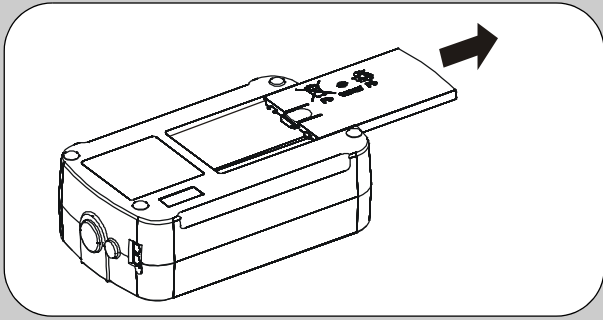
APC Contact Information

Online Technical Support:	http://support.apc.com http://www.apc.com/support esupport@apcc.com
Web Site:	www.apc.com
USA/Canada:	1.800.800.4272
Mexico:	+52.292.0253 / 52.292.0255
Brazil:	+0800.12.72.1
Worldwide:	+1.401.789.5735

1 Conexión de la batería

Por razones de seguridad, se envía el Back-UPS ES con un cable de la batería desconectado. La UPS no funcionará hasta que se conecte el cable al terminal de la batería seguro al tacto. **NOTA:** Es posible que se produzcan algunas chispas durante la conexión de la batería. Esto es normal.

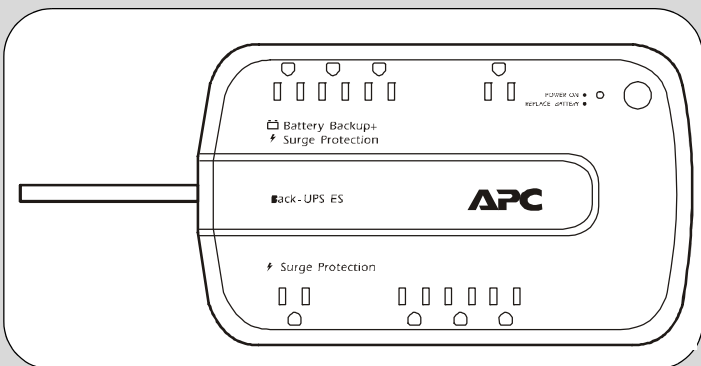
- 1 Voltee el Back-UPS ES y presione el pestillo de liberación. Deslice hacia fuera la tapa de plástico de compartimiento de la batería.
- 2 Conecte el cable de la batería de forma firme al terminal de la batería.
- 3 Coloque nuevamente la batería en el compartimiento. Deslice la tapa de plástico del compartimiento de la batería hasta que el pestillo de liberación quede asegurado en su lugar.



2 Conexión de dispositivos

⚡ Energía de la batería + ⚡ Protección contra sobretensiones

Estos tomacorrientes estarán alimentados siempre que el Back-UPS ES se encuentre encendido. Durante un corte de energía u otros problemas relacionados con la alimentación eléctrica (bajas de tensión, sobrevoltajes, etc.), el Back-UPS ES proporcionará energía a los tomacorrientes durante un tiempo limitado. Enchufe en estos tomacorrientes el ordenador, monitor y otros periféricos.

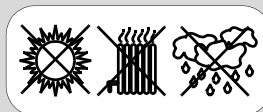


⚡ Protección contra sobrevoltajes

Estos tomacorrientes proporcionan una protección completa contra sobrevoltajes incluso si el Back-UPS ES se encuentra apagado. Enchufe en estos tomacorrientes la impresora, máquina de fax, escáner u otros periféricos que no necesiten energía de la batería.

No exponga el Back-UPS ES a las siguientes condiciones:

- Luz solar directa
- Calor excesivo
- Humedad excesiva o contacto con fluidos



Enchufe el Back-UPS ES directamente en un tomacorriente de pared y no en un protector contra sobretensiones ni múltiple.

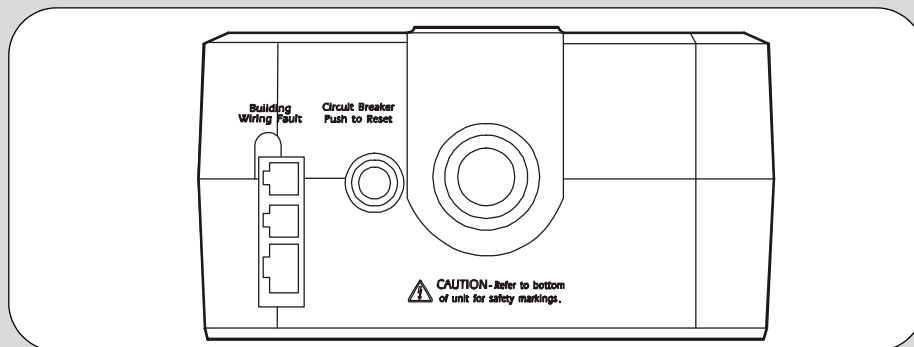
Conexión del cable del ordenador

El cable suministrado y el software proporcionan un almacenamiento automático de archivos y apagado del sistema operativo en caso de un corte de energía ininterrumpido.

Conecte el cable al puerto Data Port (Puerto de datos) del Back-UPS ES. Conecte el otro extremo del cable al puerto USB del ordenador. El software buscará automáticamente el puerto USB del ordenador.

Conexión de módem / teléfono / DSL / fax

El Back-UPS ES brinda protección contra sobrevoltajes a teléfonos de una sola línea (2 alambres) (incluida la Línea de Suscripción Digital – DSL, por sus siglas en inglés), equipos HPNA (Alianza de Redes de Líneas Telefónicas Domésticas), módems o máquinas de fax cuando se encuentran enchufados a través del UPS como se muestra en la ilustración que aparece abajo.



3 Encendido de la unidad e instalación del software

Presione el botón de ENCENDIDO/APAGADO para encender la unidad.

Un solo pitido corto y el indicador verde "Power On" confirman que el Back-UPS ES se encuentra encendido y listo para proporcionar protección.

Se deberá cargar el Back-UPS ES durante al menos 16 horas para asegurar un tiempo de funcionamiento adecuado. La unidad realizará la carga de la batería siempre que se encuentre enchufada a la energía eléctrica, independientemente de si se encuentra encendida o apagada.

Si se enciende el indicador "Building Wiring Fault" (ubicado en el extremo que está cerca del cable de alimentación), la edificación presenta un peligro de descarga eléctrica que deberá ser resuelto por un electricista matriculado.

Instale el software PowerChute Personal Edition.

Coloque el CD de PowerChute CD en el ordenador y siga las instrucciones de instalación que aparecen en la pantalla.

4 Ajuste de voltaje y sensibilidad de la transferencia (opcional)

Para ajustar el voltaje de transferencia:

1. Enchufe el Back-UPS ES a la fuente de energía eléctrica. El Back-UPS ES ingresará en el "modo de espera" (no se encenderá ningún indicador).
2. Mantenga presionado el botón de ENCENDIDO/APAGADO durante 10 segundos. El indicador LED comenzará a parpadear en un orden cíclico: VERDE-ÁMBAR-ROJO, lo que indica que el Back-UPS ES ingresará en el "modo de programación".
3. El Back-UPS ES indicará la sensibilidad actual, como muestra la tabla *Ajuste de voltaje y sensibilidad de la transferencia* que aparece más adelante.
4. Para seleccionar la configuración de sensibilidad BAJA, presione el botón de ENCENDIDO/APAGADO hasta que el indicador LED comience a parpadear de color VERDE.
5. Para seleccionar la configuración de sensibilidad MEDIA, presione el botón de ENCENDIDO/APAGADO hasta que el indicador LED comience a parpadear de color ROJO.
6. Para seleccionar la configuración de sensibilidad ALTA, presione el botón de ENCENDIDO/APAGADO hasta que el indicador LED comience a parpadear de color ÁMBAR.
7. Para salir de modo de programación, una vez que se haya establecido la sensibilidad, espere aproximadamente 5 segundos y todos los indicadores LED se apagarán.

Indicadores de estado

El Back-UPS ES indica el estado de funcionamiento utilizando una combinación de indicadores visuales y sonoros. Utilice la siguiente tabla para identificar el estado del Back-UPS ES.

Estado	Indicaciones visuales (Power On (Encendido) - Verde) (Replace Battery (Reemplazar batería) - Rojo)	Indicación sonora	La alarma se detiene cuando
En línea - El UPS está suministrando energía eléctrica adaptada a la carga.	Indicador "Power On" - ENCENDIDO (iluminado)	Ninguno.	No corresponde.
Funcionando con la batería - El UPS está suministrando energía de la batería a la carga que se encuentra enchufada en los tomacorrientes de la batería.	Indicador "Power On" - ENCENDIDO (apagado durante los pitidos)	4 pitidos cada 30 segundos.	El UPS regresa al funcionamiento con energía eléctrica o cuando el UPS se apaga.
Advertencia de batería baja - El UPS está suministrando energía de la batería a la carga enchufada a los tomacorrientes de la batería y la batería está a punto de agotarse.	Parpadeo del indicador "Power On".	Pitidos rápidos (cada medio segundo).	El UPS regresa al funcionamiento normal o cuando el UPS se apaga.
Reemplazar batería - La batería está desconectada.	Parpadeo de indicador "Replace Battery".	Tono constante.	Se apagó el UPS con el interruptor de encendido/apagado.
Se debe cargar la batería o ésta llegó al final de su vida útil y deberá ser reemplazada.	Indicadores "Power On" y "Replace Battery" - parpadeando (de forma alternada)	Tono constante.	
Apagado por sobrecarga - Durante el funcionamiento con la batería, se detectó una sobrecarga en un tomacorriente al que se le está proporcionado energía de la batería.	Ninguno.	Tono constante.	Se apagó el UPS con el interruptor de encendido/apagado.
Modo de espera - Durante el funcionamiento con la batería, la carga de la batería se agotó por completo y el UPS está esperando que le energía eléctrica regrese a la normalidad.	Ninguno.	Pitidos cada 4 segundos.	Regrese la energía eléctrica, cuando la energía eléctrica no haya regresado al cabo de 32 segundos o cuando se apague el UPS.
Falla en el cableado de la edificación - El cableado de la edificación presenta un peligro de descarga eléctrica que deberá ser resuelto por un electricista matriculado.	Indicador LED "Building Wiring Fault" (Falla en el cableado de la edificación) (rojo) - ENCENDIDO.	Ninguno.	Se desconchufe el UPS o cuando se enchufe el UPS a un tomacorriente de pared con un cableado correcto.

Indicadores LED parpadeando de color	Configuración de sensibilidad	Rango del voltaje de entrada (para el funcionamiento con energía eléctrica)	Se recomienda utilizar esta configuración cuando
Verde parpadeando	BAJA	88-142	El voltaje de entrada es extremadamente bajo o alto. No recomendado para cargas pertenecientes a computadoras.
Rojo parpadeando	MEDIA (configuración por defecto de fábrica)	92-139	El Back-UPS ES funciona de forma frecuente con la batería.
Ámbar parpadeando	ALTA	96-136	Los equipos conectados son sensibles a las fluctuaciones en el voltaje.

Resolución de problemas

Problema	Causa probable	Solución
El Back-UPS ES no enciende.	La batería está desconectada, el tomacorriente de pared no proporciona energía eléctrica o la energía eléctrica proporcionada posee una condición de "baja tensión" o "sobretensión".	Conecte la batería (consulte <i>Conexión de la batería</i>) y asegúrese de que el tomacorriente de pared proporcione energía eléctrica. Si la batería se encuentra conectada y no existe energía eléctrica disponible, se puede realizar un "encendido en frío" (utilizando la energía de la batería) presionando el botón de encendido/apagado hasta escuchar dos pitidos.
No existe alimentación eléctrica en los tomacorrientes de protección contra sobretensiones.	Sobrecarga en los tomacorrientes de protección contra sobretensiones. El tomacorriente de pared no proporciona energía eléctrica.	Reduzca la cantidad de equipos enchufados en los tomacorrientes de protección contra sobretensiones. Asegúrese de que no se haya disparado el fusible o disyuntor del tomacorriente de pared y que el interruptor de pared que controla al tomacorriente de pared (si existiese alguno) se encuentre encendido.
El Back-UPS ES está encendido, pero el indicador "Replace Battery" parpadea y la unidad emite un tono constante.	La batería está desconectada.	Conecte la batería (consulte el diagrama de la sección <i>Conexión de la batería</i>).
Los equipos enchufados pierden energía.	Lo equipos está enchufados a los tomacorrientes de protección contra sobretensiones. Sobrecarga del Back-UPS ES. El software PowerChute Personal Edition llevó a cabo un proceso de apagado debido a una falla en la energía eléctrica. El Back-UPS ES agotó la energía de la batería disponible. El equipo enchufado no acepta la forma de onda sinusoidal aproximada por escalones del Back-UPS ES. Es posible que el Back-UPS ES deba ser reparado.	Asegúrese de que los equipos que desea que permanezcan encendidos durante una falla en la energía eléctrica se encuentren enchufados en los tomacorrientes "Battery Backup + Surge Protection" (Energía de la batería + protección contra sobretensiones) y NO en los tomacorrientes de sólo "Surge Protection" (Protección contra sobretensiones). Asegúrese de que los equipos enchufados a estos tomacorrientes de la unidad no estén sobrecargando su capacidad. Intente extraer algunos equipos y compruebe si persiste el problema. El Back-UPS ES funciona de forma normal. El Back-UPS ES sólo funciona con la energía de la batería durante una cantidad de tiempo limitada. La unidad se apagará cuando se haya utilizado toda la energía de la batería disponible. Espere que la unidad se recargue durante 16 horas para que pueda alcanzar el tiempo de funcionamiento máximo. La forma de onda de salida se encuentra diseñada para ordenadores y equipos relacionados con los ordenadores. No se encuentra diseñada para su utilización con equipos con motor. Contáctese con el Departamento de Soporte Técnico de APC para solicitar ayuda adicional acerca de la resolución de problemas.
El indicador "Power On" se encuentra encendido y el Back-UPS ES emite cuatro pitidos cada 30 segundos.	El Back-UPS ES está funcionando con la batería.	El Back-UPS ES está funcionando de forma normal y utilizando la energía de la batería. Una vez que la unidad esté funcionando con la batería, guarde el trabajo actual, apague los equipos y luego apague la unidad. Una vez que haya regresado la energía eléctrica normal, encienda la unidad y luego encienda los equipos.
El indicador "Power On" parpadea y el Back-UPS ES emite al mismo tiempo 2 pitidos por segundo.	Carga de la batería baja (aproximadamente 2 minutos de uso restantes).	¡El Back-UPS ES está a punto de apagarse debido a la poca carga de la batería! Cuando la unidad emita dos pitidos por segundo, la batería posee aproximadamente 2 minutos restantes de energía. Apague de inmediato el ordenador y luego apague la unidad. Cuando regrese la energía eléctrica normal, la unidad se encargará de recargar la batería.
El indicador "Building Wiring Fault" se encuentra encendido.	El cableado de la edificación presenta un peligro de descarga. La utilización del Back-UPS ES en estas condiciones anulará la garantía.	Póngase en contacto con un electricista calificado para efectuar la reparación.
Tiempo de funcionamiento inadecuado.	La batería no posee una carga completa. La batería se está acercando al final de su vida útil.	Espere que la unidad se cargue dejándola enchufada al tomacorriente de pared durante al menos 16 horas. A medida que la batería envejece, se irá reduciendo el tiempo de funcionamiento disponible. Puede reemplazar la batería solicitando una en www.apc.com . Las baterías también envejecen prematuramente si el Back-UPS ES se encuentra colocado cerca de una fuente de calor excesivo.
No existe señal de teléfono/fax/DSL desde el Back-UPS ES.	Se conectó la línea de datos del proveedor de Internet o del conector de pared en un conector incorrecto del Back-UPS ES.	Asegúrese de que la línea de datos del proveedor del tomacorriente de pared se encuentre enchufada en el conector "Wall Outlet" ("Salida de pared").
Pérdida de la conexión a Internet durante un corte de energía.	El módem no posee alimentación CA.	Enchufe el cable de alimentación CA del módem en uno de los tomacorrientes "Battery Back-up + Surge Protection outlets".

Especificaciones

Modelo BE450/550G		
Entrada	Voltaje	120 Vrms nominales
	Frecuencia	60 Hz ± 3
	Transferencia en baja tensión	92 Vrms, normal
	Transferencia en sobretensión	139 Vrms, normal
Salida	Capacidad del UPS (4 tomacorrientes)	450 VA/550 VA ; 257 W/330 W
	Amperaje total (8 tomacorrientes)	12 Amperes (incluyendo la salida del UPS)
	Voltaje – Funcionamiento con la batería	115 Vrms ± 8% (onda sinusoidal aproximada por escalones)
	Frecuencia – Funcionamiento con la batería	60 Hz ± 1 Hz
	Tiempo de transferencia	6 ms normal, 10 ms máximo
Protección y filtro	Protección contra sobretensiones de CA	Permanente, 340 julios
	Protecciones contra sobretensiones del teléfono/fax/DSL	Línea única (2 alambres)
	Filtro EMI/RFI	Permanente
	Entrada CA	Disyuntor reiniciable
Batería	Tipo	Sellada, de plomo ácido y no requiere mantenimiento
	Vida útil	3 - 5 años dependiendo de la cantidad de ciclos de descarga y temperatura ambiente
Dimensiones físicas	Peso neto	Back-UPS ES 450: 10 libras (4,5 kg) Back-UPS ES 550: 12,4 libras (5,6 kg)
	Tamaño	11,2 pulgadas (Alto) x 7,1 pulgadas (Ancho) x 3,4 pulgadas (Profundidad) (28,2 cm x 18 cm x 8,7cm)
	Temperatura de funcionamiento	+32°F a 104°F (0°C a 40°C)
	Temperatura de almacenamiento	+5°F a 113°F (-15°C a 45°C)
	Temperatura de funcionamiento relativa	0 a 95% sin condensación
	Altitud de funcionamiento	0 a 10.000 pies (0 a 3.000 metros)
Seguridad y avisos regulatorios	Aprobaciones de seguridad	Certificado por TUV C-US, listado por la norma UL 1778, certificado por CSA según la norma CSA C22.2 Núm. 107,3, certificado por la parte 68 y 15 de la FCC y certificado por la norma NOM.
	Cumplimiento de compatibilidad electromagnética	Aviso: Este dispositivo cumple con la parte 68 y 15 de las reglas de la FCC. El funcionamiento se encuentra sujeto a las siguientes dos condiciones: (1) Este dispositivo no causará interferencia dañina y (2) este dispositivo debe aceptar cualquier interferencia recibida, incluyendo una interferencia que podría causar un funcionamiento no deseado. "En la parte inferior de este equipo se encuentra una etiqueta que contiene, entre otra información, el número de registro de la FCC y el número de equivalencia de timbre (REN, por sus siglas en inglés) de este equipo. Se deberá proporcionar esta información a la compañía telefónica si es solicitada".

Cómo solicitar una batería de reemplazo

Reemplace la batería por una batería aprobada por APC. Se puede solicitar las baterías de reemplazo desde www.apc.com (se requiere una tarjeta de crédito válida). El número de pieza de la batería de reemplazo para este Back-UPS ES 450 es RBC 114 y para el Back-UPS ES 550 es RBC 110.

Garantía

La garantía estándar es de 3 años desde la fecha de compra. El procedimiento estándar de APC consiste en reemplazar la unidad original por una unidad reacondicionada de fábrica. Los clientes que necesiten disponer de la unidad original debido a clasificaciones de inventario asignadas y programas de depreciación de activo deberán declarar tales condiciones cuando se comuniquen por primera vez con el Departamento de Soporte Técnico de APC. APC enviará la unidad de reemplazo una vez que la unidad defectuosa haya sido recibida por el departamento de reparación o realizará un envío simultáneo contra la recepción de un número de tarjeta de crédito válido. El cliente abonará el envío de la unidad a APC, en tanto que APC abonará los costos de transporte por tierra a la dirección del cliente.

Servicio técnico

Por favor, NO DEVUELVA el Back-UPS ES al lugar de compra bajo ninguna circunstancia.

- Consulte la sección Resolución de problemas para descartar los problemas comunes.
- Verifique que la batería se encuentre conectada (consulte *Conexión de la batería*) y que el disyuntor no se haya disparado (consulte la sección *Resolución de problemas*). Si el problema persiste o tiene alguna duda, póngase en contacto con APC a través de Internet o uno de los números telefónicos que aparecen abajo.
- Antes de ponerse en contacto con APC, asegúrese de registrar la fecha de compra, modelo del UPS y número de serie (ubicado en la parte inferior del producto).
- Esté preparado para resolver el problema por teléfono con la ayuda de un representante de soporte técnico. Si no se puede resolver el problema, el representante emitirá un Número de Autorización de Devolución de Producto (RMA, por sus siglas en inglés).
- Empaque la unidad en su embalaje original. Si no cuenta con el embalaje original, comuníquese con el Departamento de Soporte Técnico de APC para obtener información acerca de cómo obtener uno nuevo. Empaque la unidad de forma correcta para evitar daños durante el envío. Nunca utilice partículas de espuma como material de embalaje. Los daños sufridos durante el envío no se encuentran cubiertos por la garantía. (Se recomienda asegurar la unidad por su valor de reposición).
- Escriba el RMA en la parte exterior del embalaje.
- Envíe la unidad a través de una empresa transportista asegurada a la dirección proporcionada por el Departamento de Soporte Técnico de APC.

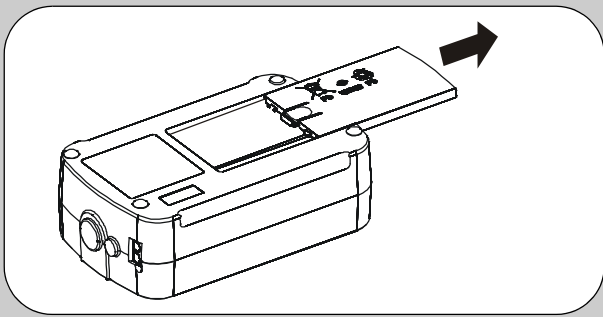
Información de contacto de APC

Soporte técnico en línea:	http://support.apc.com
	http://www.apc.com/support
	esupport@apcc.com
Sitio Web:	www.apc.com
Estados Unidos/Canadá:	1.800.800.4272
México:	+52.292.0253 / 52.292.0255
Brasil:	+0800.12.72.1
Internacional:	+1.401.789.5735

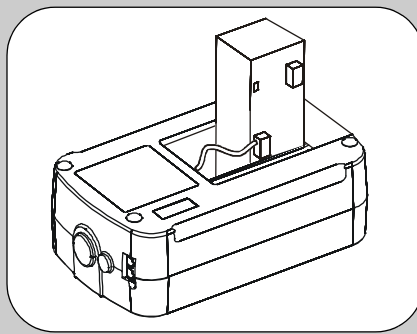
1 Branchement de la batterie

Pour des raisons de sécurité, le Back-UPS ES est fourni avec une batterie dont l'un des fils est débranché. Le UPS ne marchera pas dans cet état ; vous devez brancher le fil sur la borne correspondante de la batterie avant de pouvoir l'utiliser. **REMARQUE** : Des petites étincelles peuvent apparaître lorsque vous branchez la batterie. Ceci est normal.

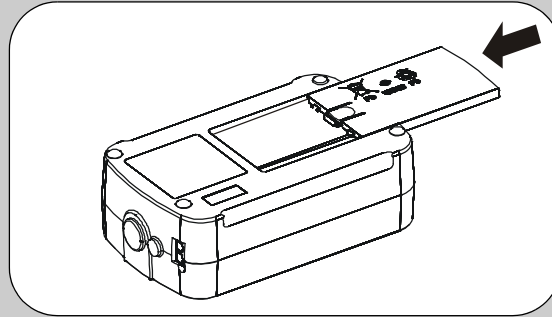
1 Retournez le Back-UPS ES et appuyez sur l'onglet d'ouverture. Faites glisser le couvercle en plastique de la batterie du Back-UPS.



2 Branchez fermement le fil sur la borne de la batterie.



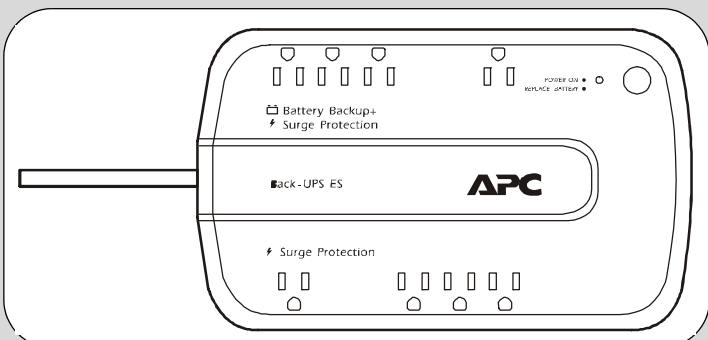
3 Remettez la batterie dans le compartiment. Remettez le couvercle en plastique de la batterie pour fermer le compartiment.



2 Brancher l'équipement

Batterie de sauvegarde + Protection contre les surtensions

Ces prises de sortie sont sous tension dès que le Back-UPS ES est allumé (« ON »). Pendant une panne de courant ou en cas d'un autre problème (baisse de tension, surtensions), ces prises seront alimentées pendant une certaine période par le Back-UPS ES. Branchez votre ordinateur, votre moniteur et vos autres appareils externes sur ces prises.



Protection contre les surtensions

Ces prises de sortie offrent une protection continue contre les surtensions même lorsque le Back-UPS ES est éteint (« OFF »). Branchez votre imprimante, votre fax, votre scanner ou vos autres appareils n'ayant pas besoin de la batterie de sauvegarde sur ces prises.

Posez le Back-UPS ES dans un endroit à l'abri :

- du soleil.
- de la chaleur excessive.
- de l'humidité excessive ou de tout contact avec des fluides.



Branchez directement le cordon d'alimentation du Back-UPS ES sur une prise de courant, et non sur un suppresseur de surtension ou sur une rallonge électrique.

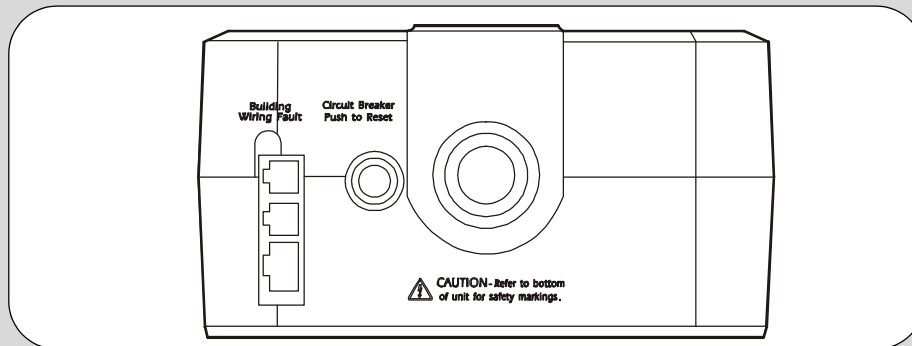
Branchez le câble de l'ordinateur

Le câble et le logiciel fourni permettent de sauvegarder automatiquement les fichiers et d'éteindre correctement le système dans le cas d'une panne de courant prolongée.

Branchez le câble sur le Port de données du Back-UPS ES. Branchez l'autre côté du câble sur un port USB de votre ordinateur. Le logiciel détectera automatiquement le port USB de l'ordinateur.

Branchez un modem / un téléphone / une ligne d'accès numérique (DSL) / un fax

Le Back-UPS permet aussi de protéger une ligne téléphonique à 2 fils (y-compris une ligne d'accès numérique – DSL), un appareil d'association Home-PNA (HPNA), un modem ou un fax contre les surtensions lorsque l'appareil est branché sur le UPS comme indiqué dans les dessins ci-dessous.



3 Allumer l'appareil et installer le Logiciel

Appuyez sur le bouton ON/OFF pour allumer l'appareil (« ON »).

Vous entendrez un bip puis l'indicateur « Sous tension » s'affichera, indiquant que le Back-UPS ES est allumé et prêt à protéger les appareils.

Le Back-UPS ES doit être rechargé pendant au moins 16 heures pour un fonctionnement optimal. L'appareil se recharge automatiquement lorsqu'il est branché sur une prise de courant secteur, qu'il soit allumé (« ON ») ou éteint (« OFF »).

Si l'indicateur « Problème de câblage du bâtiment » (situé près du cordon d'alimentation) s'allume, cela indique que votre bâtiment présente un risque d'électrocution et que ce problème doit être rectifié par un électricien qualifié.

Installez le logiciel 'PowerChute Personal Edition'.

Insérez le CD de PowerChute dans votre ordinateur et suivez les instructions d'installation qui s'affichent sur l'écran.

4 Réglage de la tension de transfert et de la sensibilité (Optionnel)

Pour régler la tension de transfert :

1. Branchez le Back-UPS sur une source de courant. Le Back-UPS sera en "Mode Veille" (les indicateurs sont tous éteints).
2. Appuyer sur le bouton-poussoir ON/OFF pendant 10 secondes. Le voyant DEL en ligne s'allume et change dans l'ordre suivant : VERT- ORANGE-ROUGE, indiquant qu'il va en "Mode Programme".
3. Le Back-UPS affichera ensuite la sensibilité actuelle, comme indiquée dans le tableau Réglage de la tension de transfert et de la sensibilité ci-dessous.
4. Pour sélectionner le réglage de sensibilité FAIBLE, appuyez sur le bouton ON/OFF jusqu'à ce que le voyant DEL clignote en VERT.
5. Pour sélectionner le réglage de sensibilité MOYENNE, appuyez sur le bouton ON/OFF jusqu'à ce que le voyant DEL clignote en ROUGE.
6. Pour sélectionner le réglage de sensibilité HAUTE, appuyez sur le bouton ON/OFF jusqu'à ce que le voyant DEL clignote en ORANGE.
7. Pour quitter le Mode Programme, une fois que la sensibilité a été réglée, attendez environ 5 secondes ; tous les voyant DEL s'éteindront.

Indicateurs d'état

Le Back-UPS ES indique l'état de fonctionnement à l'aide d'une combinaison d'indicateurs visuels et sonores. Utilisez le tableau suivant pour identifier l'état du Back-UPS ES.

Etat	Indicateurs visuels (Marche - Vert) (Remplacer la batterie - Rouge)	Indicateur sonore	L'alarme s'arrête lorsque
Sous tension - le UPS fournit une alimentation secteur contrôlée aux appareils.	Bouton de mise en marche - ALLUMÉ (allumé)	Aucun	Sans objet.
Avec batterie - le UPS fournit une alimentation batterie aux appareils branchés sur les prises Batterie.	Bouton de mise en marche - ALLUMÉ (éteint pendant les bips)	Un bip 4 fois toutes les 30 secondes.	Le UPS retourne au mode Sous tension, ou lorsque le UPS est éteint.
Avertissement batterie faible - le UPS fournit une alimentation batterie aux appareils branchés sur les prises Batterie et la batterie est presque vide.	L'indicateur Marche clignote	Bip rapide (toutes les demi secondes)	Le UPS retourne au mode Sous tension, ou lorsque le UPS est éteint.
Remplacer la batterie - La batterie est débranchée. La batterie a besoin d'être chargée ou a atteint la fin de sa durée de vie et doit être remplacée.	L'indicateur Remplacer la batterie clignote Les indicateurs Marche et Remplacer la batterie clignotent (alternativement)	Tonalité constante Tonalité constante	L'UPS est éteint avec le bouton d'alimentation.
Arrêt surcharge - En mode de fonctionnement Avec batterie, une des prises de sortie est surchargée.	Aucun	Tonalité constante	L'UPS est éteint avec le bouton d'alimentation.
Mode Sommeil - En mode de fonctionnement Avec batterie, la batterie est presque vide et l'UPS atteint que l'alimentation secteur soit rétablie.	Aucun	Un bip toutes les 4 secondes	L'alimentation secteur a été rétablie ou l'alimentation secteur n'a pas été rétablie en moins de 32 secondes ou le UPS est éteint.
Problème de câblage du bâtiment - Le câblage dans votre bâtiment présente un risque d'électrocution et ce problème doit être rectifié par un électricien qualifié.	Voyant DEL de problème de câblage de bâtiment (rouge) - ALLUMÉ	Aucun	L'UPS est débranché ou l'UPS est branché sur une prise de courant qui marche normalement.

Indicateurs clignotent	Réglage de la sensibilité	Gamme de tension d'entrée (utilisation avec utilitaire)	Quand les utiliser
Vert clignotant	FAIBLE	88-142	Tension d'entrée très faible ou haute. Pas recommandé pour les charges d'ordinateur.
Rouge clignotant	MOYEN (par défaut)	92-139	Le Back-UPS va fréquemment à la batterie.
Orange clignotant	HAUTE	96-136	L'appareil connecté est sensible aux fluctuations de tension.

Guide de dépannage

Problème	Cause probable	Solution
Le Back-UPS ES ne s'allume pas.	La batterie est débranchée et l'alimentation de la prise de courant n'est pas disponible, ou l'alimentation secteur a une 'baisse de tension' ou une 'surtension'.	Branchez la batterie (voir <i>Branchement de la batterie</i>) et assurez-vous que la prise de courant mural marche correctement. Si la batterie est branchée et que l'alimentation ne marche pas, l'appareil peut être 'démarré à froid' (marche avec la batterie) en appuyant sur le bouton d'alimentation jusqu'à ce que vous entendiez deux bips.
Les prises de protection contre les surtensions ne marchent pas.	Les prises de protection contre les surtensions sont surchargées. L'alimentation secteur de la prise de courant n'est pas disponible.	Réduisez le nombre d'appareils branchés sur les prises « Protection contre les surtensions ». Assurez-vous que le fusible ou le disjoncteur de la prise n'est pas déclenché, et que l'interrupteur mural de la prise (s'il y en a un) est en position ON (ALLUMÉ).
Le Back-UPS est allumé mais l'indicateur « Remplacer la batterie » clignote et une tonalité constante est émise.	La batterie est débranchée.	Branchez la batterie (voir le schéma <i>Branchement de la batterie</i>).
Les appareils branchés perdent de la puissance.	L'appareil est branché sur les prises « Protection contre les surtensions ». Le Back-UPS ES est surchargé. Le logiciel PowerChute Personal Edition a arrêté le système à cause d'une panne de courant. La batterie du Back-UPS ES est vide. L'appareil connecté n'accepte pas le courant à ondes sinusoïdales du Back-UPS ES. Le Back-UPS ES a besoin d'être réparé.	Assurez-vous que l'appareil qui doit rester allumé pendant une panne de courant est branché sur la prise « Batterie de sauvegarde plus protection contre les surtensions » au lieu des prises « Protection contre les surtensions ». Assurez-vous que les appareils branchés sur les prises de l'appareil ne dépassent pas sa capacité. Essayez de débrancher des appareils pour voir si le problème continue. Le Back-UPS ES marche normalement. Le Back-UPS ES peut seulement marcher avec la batterie pendant une certaine période. L'appareil s'éteindra après une certaine période, lorsque la batterie est déchargée. Laissez l'appareil se recharger pendant 16 heures pour un fonctionnement optimal. Le courant à ondes sinusoïdales est conçu pour les ordinateurs et les appareils associés. Il n'est pas conçu pour les appareils à moteur. Contactez le Support technique de APC pour plus d'informations de dépannage.
L'indicateur « Sous tension » est allumé et le Back-UPS ES bip 4 fois toutes les 30 secondes.	Le Back-UPS ES est en mode « Avec batterie ».	Le Back-UPS ES marche normalement et utilise la batterie. Une fois en mode « Avec batterie », vous pouvez sauvegarder vos fichiers, éteindre votre ordinateur et éteindre l'appareil (« OFF »). Une fois que le courant normal a été restauré, vous pouvez rallumer l'appareil (« ON ») et votre ordinateur.
L'indicateur « Sous tension » clignote et le Back-UPS ES bip 2 fois par secondes.	La capacité de la batterie est faible (seulement 2 minutes d'utilisation restantes).	Le Back-UPS ES va s'éteindre car la batterie est presque vide ! Lorsque l'appareil bip 2 fois par secondes, il ne reste qu'environ 2 minutes de puissance. Éteignez immédiatement votre ordinateur puis éteignez l'appareil (« OFF »). Lorsque le courant est rétabli, la batterie de l'appareil se rechargera.
L'indicateur « Problème de câblage de bâtiment » est allumé.	Le câblage de votre bâtiment présente un danger d'électrocution. Si c'est le cas, l'utilisation du Back-UPS ES annulera la garantie.	Contactez un électricien qualifié pour une réparation.
Durée de fonctionnement insuffisante.	La batterie n'est pas complètement rechargée. La batterie est presque à la fin de sa durée de vie.	Laissez l'appareil branché sur la prise pendant au moins 16 heures pour recharger la batterie. Plus la batterie vieillie, plus la durée de fonctionnement diminue. Vous pouvez remplacer la batterie en commandant une nouvelle sur www.apc.com . Les batteries vieillissent aussi plus rapidement lorsque le Back-UPS ES est installé dans des endroits excessivement chauds.
Aucun signal de téléphone/fax/DSL venant du Back-UPS.	La ligne de données de l'ISP ou la prise murale est branchée sur la mauvaise prise du Back-UPS.	Assurez-vous que la ligne de données de la prise murale est branchée sur la prise « Prise murale ».
Connexion Internet coupée pendant une panne de courant.	L'alimentation du modem a été coupée.	Branchez le cordon d'alimentation du modem sur l'une des prises « Batterie de sauvegarde plus protection contre les surtensions ».

Caractéristiques techniques

Modèle BE450/550G		
Entrée	Tension	120 Vrms nominal
	Fréquence	60 Hz ± 3
	Transfert de baisse de tension	92 Vrms, typique
	Transfert de surtension	139 Vrms, typique
Sortie	Capacité UPS (4 prises)	450 VA/550 VA ; 257 W/330 W
	Intensité totale (8 prises)	12 Amps (y-compris la sortie UPS)
	Tension - Avec batterie	115 Vrms ± 8% (courant à ondes sinusoïdales)
	Fréquence - Avec batterie	60 Hz ± 1 Hz
	Temps de transfert	6 ms typique, 10 ms maximum
Protection et filtre	Protection contre les surtensions c.a.	Plein temps, 340 joules
	Protection contre les surtensions pour téléphone/fax/DSL	Une ligne (2-fils)
	Filtre EMI/RFI	Plein temps
	Entrée c.a.	Disjoncteur réglable
Batterie	Type	Étanche au plomb, sans entretien nécessaire
	Durée de vie moyenne	3 à 5 ans, en fonction du nombre de cycles de chargement/déchargement et de la température ambiante
Caractéristiques physiques	Poids net	Back-UPS 450 : 10 livres (4,5 kg) Back-UPS 550 : 12,4 livres (5,6 kg)
	Taille	11,2 pouces (H) x 7,1 pouces (L) x 3,4 pouces (D) (28,2 cm x 18 cm x 8,7cm)
	Température d'utilisation	+32°F à 104°F (0°C à 40°C)
	Température de stockage	+5°F à 113°F (-15°C à 45°C)
	Humidité d'utilisation	0 à 95% sans condensation
	Altitude d'utilisation	0 à 10 000 pieds (0 à 3 000m)
Normes et réglementations	Agréments de sécurité	Certifié TUV C-US ; standard UL 1778 par standard CSA C22.2 No. 107,3, FCC partie 68 & FCC partie 15 Classe B, certifié NOM
	Conformité EMC	Remarque : Cet appareil est conforme à la section 68 et à la section 15 du règlement de la FCC. L'utilisation de cet appareil est soumise aux deux conditions suivantes : (1) Cet appareil ne doit pas causer d'interférences nuisibles et (2) cet appareil doit être capable d'accepter toutes les interférences éventuelles, y-compris les interférences pouvant provoquer un fonctionnement inattendu. Sur le dessous de l'appareil, une étiquette est placée qui stipule, entre autre, le numéro d'enregistrement FCC et le numéro équivalent en sonnerie (REN) pour cet appareil. Vous devez fournir, sur demande, ces informations à votre opérateur téléphonique.

Commander une batterie de remplacement

Utilisez seulement une batterie de APC. Les batteries de remplacement peuvent être commandées sur www.apc.com (paiement par carte de crédit). Le numéro de pièce de la batterie de remplacement pour ce Back-UPS 450 est RBC 114, et pour le Back-UPS 550, est RBC 110.

Garantie

La garantie standard est pour une période de 3 ans à partir de la date d'achat de l'appareil. La procédure standard de APC est de remplacer l'appareil original par un appareil réparé/remis à neuf en usine. Les clients qui désirent recevoir le même appareil pour des raisons de taux de moins-values et un plan d'amortissement doivent informer le Support technique de APC pendant le premier contact. APC renverra l'appareil de remplacement une fois que l'appareil défectueux a été reçu par le département des réparations ou peut l'envoyer avant de le recevoir si vous utilisez une carte de crédit comme garantie. Le client doit payer les frais d'envoi vers APC ; APC paiera les frais de transport pour renvoyer l'appareil au client.

Entretien

NE PAS RETOURNER le Back-UPS ES à l'endroit où vous l'avez acheté.

- Consultez la section Guide de dépannage pour résoudre les problèmes les plus fréquents.
 - Vérifiez que la batterie est correctement branchée (voir *Branchement de la batterie*) et que le disjoncteur n'est pas déclenché (voir la section *Guide de dépannage*).
- Si vous avez toujours des questions ou des problèmes, contactez APC via Internet ou l'un des numéros de téléphone indiqués ci-dessous.
- Avant de contacter APC, assurez-vous que vous avez avec vous la date d'achat, le modèle de l'UPS et le numéro de série (situé sous l'appareil).
 - Soyez prêt à essayer de résoudre le problème par téléphone en parlant avec un représentant du Support technique. Si le problème ne peut pas être résolu, le représentant vous donnera un numéro RMA (numéro d'autorisation de retour de marchandise) et une adresse.
 - Emballez l'appareil, en utilisant la boîte originale. Si vous n'avez plus la boîte originale, demandez au Support technique de APC de vous en fournir une nouvelle. Emballez correctement l'appareil pour qu'il ne subisse aucun dommage pendant le transport. N'utilisez jamais de la mousse pour l'emballage. Les dommages survenus pendant le transport ne seront pas couverts par la garantie (il est recommandé de garantir le paquet pour la valeur totale).
 - Ecrivez le numéro RMA# sur le coté de la boîte.
 - Renvoyez l'appareil par une compagnie de transport avec assurance à l'adresse qui vous a été donnée par le Support technique de APC.

Informations de contact de APC

Support technique en ligne: <http://support.apc.com>
<http://www.apc.com/support>
esupport@apcc.com
www.apc.com
 USA/Canada: 1.800.800.4272
 Mexique: +52.292.0253 / 52.292.0255
 Brésil: +0800.12.72.1
 Reste du monde: +1.401.789.5735

Free Manuals Download Website

<http://myh66.com>

<http://usermanuals.us>

<http://www.somanuals.com>

<http://www.4manuals.cc>

<http://www.manual-lib.com>

<http://www.404manual.com>

<http://www.luxmanual.com>

<http://aubethermostatmanual.com>

Golf course search by state

<http://golfingnear.com>

Email search by domain

<http://emailbydomain.com>

Auto manuals search

<http://auto.somanuals.com>

TV manuals search

<http://tv.somanuals.com>