

Installation Guide SMT 2200/3000 VA Input/Output Hardwire Kit

Safety



Adhere to all national and local electrical codes. A certified electrician must perform all electrical connections.

1. Disconnect equipment connected to the UPS.
2. Press the OFF button located on the front of the UPS.
3. Disconnect the batteries in the UPS.
4. Disconnect the UPS from utility power.

NOTE: When removing the panels from the UPS, note which cable is connected to the AC input. There are two 4-pin connectors on the UPS and they are not interchangeable.

Inventory



Note: The illustrations in this document may differ slightly from the actual hardware.

<p>Terminal block Terminal block label 2 screws secure the terminal block to the UPS</p>	<p>4 grounding screws</p>	<p>8 screws secure input, output, and blank panels to the UPS</p>	<p>2 wire nuts</p>

<p>Input panel Output panel Blank panel</p>	
---	--

Installation

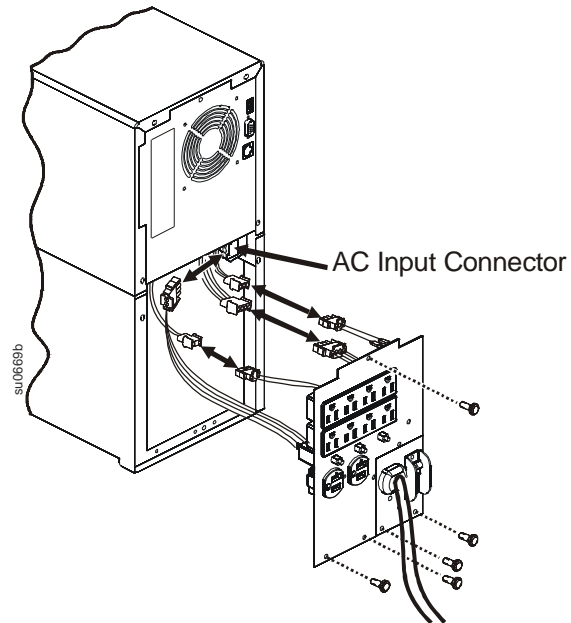


Note: It is recommended that the input and output cables be connected to the terminal block prior to installing the terminal block in the UPS.

Remove the five screws that secure the factory installed PDU panels to the UPS.

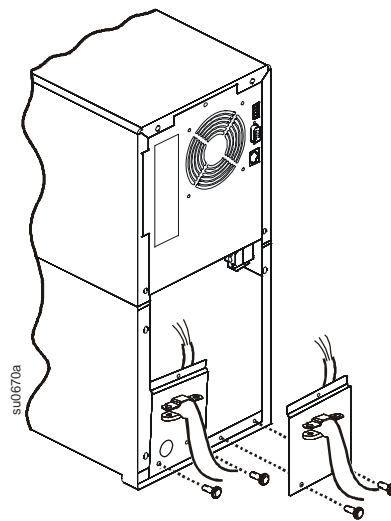
Save the screws.

Disconnect the PDU input and output cables as shown in the diagram.

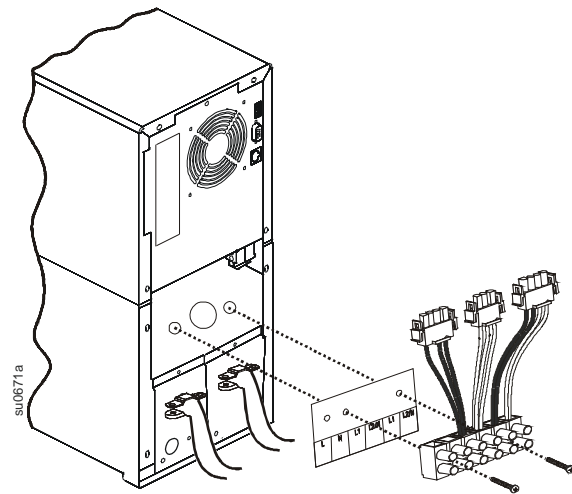


Secure the replacement input and output panels (supplied), to the UPS. Secure the panels with four of the screws removed from the factory installed PDU panel.

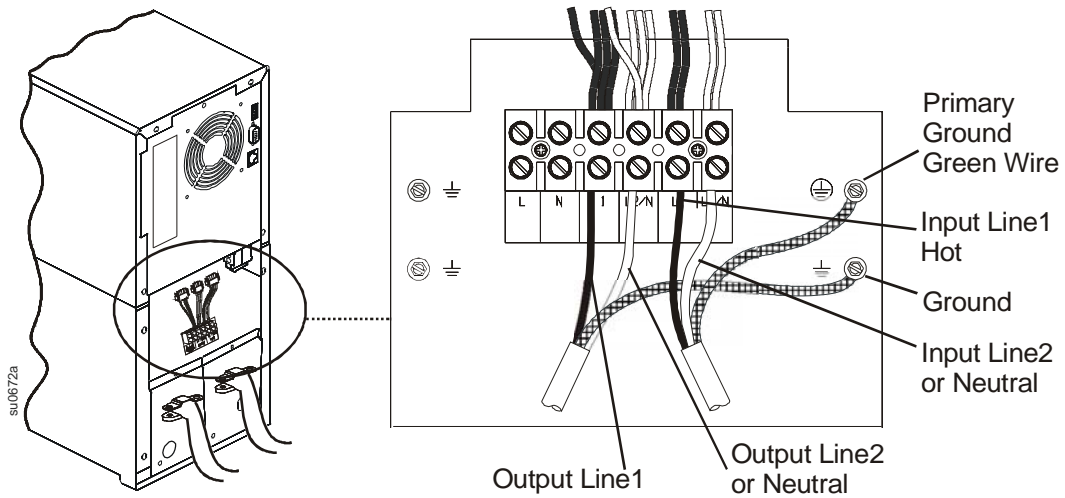
Install appropriate strain relief clamps (not supplied), to the input and output panels as shown in the diagram.



Secure the terminal block and label to the UPS with two screws (supplied), as shown in the diagram.

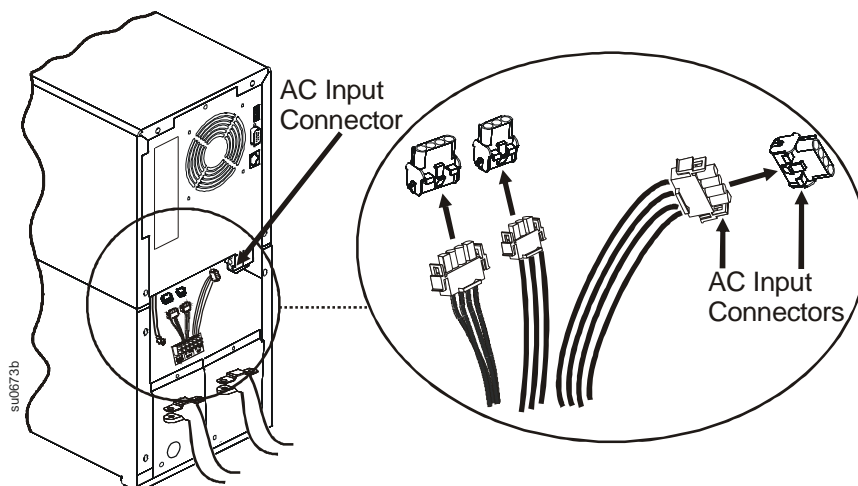


Refer to the diagram below. Use the screws supplied. Connect the ground wires with the grounding screws. Connect the input and output cables.

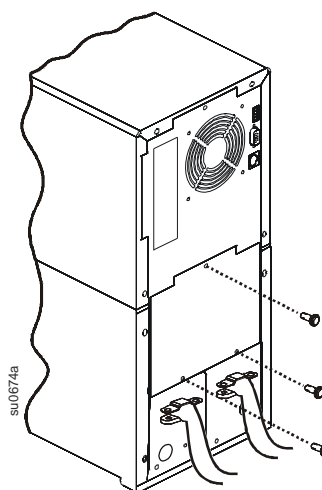


Connect the terminal block and UPS connectors as shown in the diagram.

NOTE: The two pin connector will not be utilized with the replacement input and output panels.



Secure the blank panel to the UPS with three screws (supplied).



APC Worldwide Customer Support

Customer support for this or any other APC product is available at no charge in any of the following ways:

- Visit the APC Web site to access documents in the APC Knowledge Base and to submit customer support requests.
 - **www.apc.com** (Corporate Headquarters)
Connect to localized APC Web sites for specific countries, each of which provides customer support information.
 - **www.apc.com/support/**
Global support searching APC Knowledge Base and using e-support.
- Contact the APC Customer Support Center by telephone or e-mail.
- Local, country-specific centers: go to **www.apc.com/support/contact** for contact information.

For information on how to obtain local customer support, contact the APC representative or other distributors from whom you purchased your APC product.

Customer support and warranty information is available at the APC Web site, www.apc.com.

© 2011 APC by Schneider Electric. APC, the APC logo, and Smart-UPS are owned by Schneider Electric Industries S.A.S., American Power Conversion Corporation, or their affiliated companies. All other trademarks are property of their respective owners.

Download from Www.Somanuals.com. All Manuals Search And Download.

990-3933
6/2011

Free Manuals Download Website

<http://myh66.com>

<http://usermanuals.us>

<http://www.somanuals.com>

<http://www.4manuals.cc>

<http://www.manual-lib.com>

<http://www.404manual.com>

<http://www.luxmanual.com>

<http://aubethermostatmanual.com>

Golf course search by state

<http://golfingnear.com>

Email search by domain

<http://emailbydomain.com>

Auto manuals search

<http://auto.somanuals.com>

TV manuals search

<http://tv.somanuals.com>