

Network Management Teleservice Card (66124)

Installation manual



by Schneider Electric



990-3402231500AC

3402231500/AC

INTRODUCTION

The **Network Management Teleservice Card (66124)** is recommended for central UPSs protecting entire networks or for UPS units backing up critical loads. With the card installed, the UPS has its own IP address and uses the local computer capabilities to:

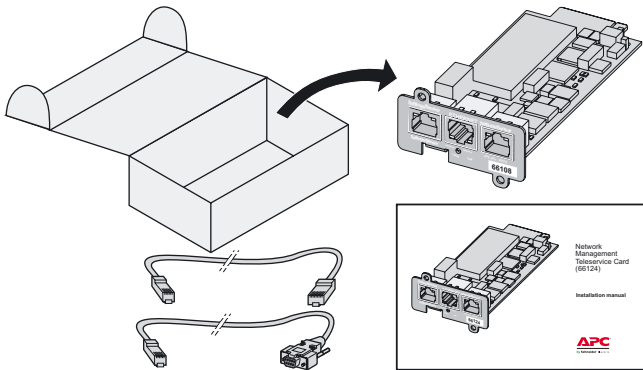
- ▶ supply web pages (http or https (SSL)) with information on status conditions and measurements/settings/alarms,
- ▶ integrate an SNMP-based NMS such as HP OpenView, IBM Tivoli Netview and Computer Associates Unicenter,
- ▶ communicate with shutdown modules installed on the protected servers (Network Shutdown Module),
- ▶ send e-mail and SMS messages,
- ▶ control the ON/OFF function of the UPS and the outlets,
- ▶ monitor the Environment Sensor,
- ▶ Access the Teleservice solution for remote monitoring and maintenance services of your UPS.



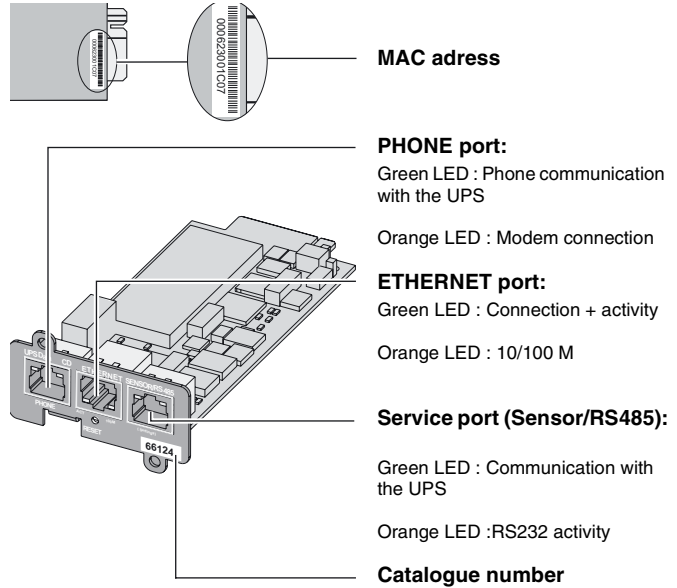
The **Network Management Teleservice Card** must be installed and used in accordance with manufacturer instructions.

UNPACKING AND CHECKS

- ▶ One **Network Management Teleservice Card (66124)**,
- ▶ One serial cable for configuration (3402226700),
- ▶ One phone cable for teleservice (3402226800),
- ▶ One installation manual (34022315EN),
- ▶ One Teleservice information form (3402228500),



OVERVIEW



INDICATIONS

PHONE port

LED	Colour	Status	Description
UPS Data	Green	▶ OFF	▶ Card not connected to phone network
		▶ ON	▶ Card connected to phone network, but no activity
		▶ Flashing	▶ Port is sending/receiving
CD	Orange	▶ OFF	▶ Modem is not connected
		▶ ON	▶ Modem is connected
		▶ Flashing	▶ Modem is connecting

ETHERNET port

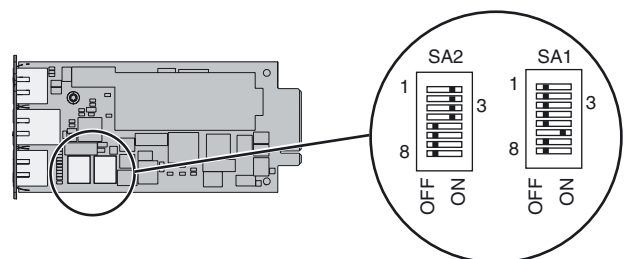
LED	Colour	Status	Description
ACT	Green	▶ OFF	▶ Card not connected to network
		▶ ON	▶ Card connected to network, but no activity
		▶ Flashing	▶ Port is sending/receiving
100M	Orange	▶ OFF	▶ Port operating at 10 Mbits/s
		▶ ON	▶ Port operating at 100 Mbits/s

Service port (Sensor/RS485)

LED	Colour	Status	Description
Sensor	Green	▶ OFF	▶ Card starting
		▶ ON	▶ Card ready
		▶ Flashing	▶ Communication with environment Sensor is operational
RS485	Orange	▶ OFF	▶ Settings mode activated
		▶ Flashing	▶ Port is sending/receiving
		▶ Flashing every seconds	▶ Communication fault or configuration errors

SWITCHES SETTING

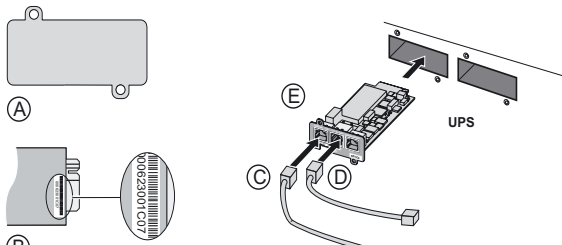
Default settings, sensor configuration :



INSTALLATION

The **Network Management Teleservice Card** (66124) can be hot-plugged on MGE™ Galaxy™ 7000 UPSs. It is not necessary to shutdown the UPS, disconnect the load or restart the UPS.

- ▶ A. Remove the plastic cover of the Minislot.
- ▶ **B. Note the MAC address of the card before inserting it.**
- ▶ C. Connect the PHONE cable.
- ▶ D. Connect the ETHERNET cable (network already connected).
- ▶ E. Insert and secure the card with the screws.



- ▶ Check the ETHERNET port indications.
- ▶ Wait until the UPS Data LED flashes regularly (approx. two minutes), indicating that card start-up has terminated correctly.

IP SETTINGS

Once the card has started, proceed as indicated below.

- ▶ Connect one end of the serial cable to the Service port.
- ▶ Connect the other end of the cable to the COM (IOIOI) port of a PC.
- ▶ Run a terminal emulator such as HyperTerminal™ with these settings

Bits per second	Data bits	Stop bits	Flow control
38400	8	1	none

"Echo typed characters locally" option: disabled

- ▶ Press the ↵ key.
- ▶ press the 1 key (Network configuration menu)
- ▶ Type MGEUPS (or mgeups), then press the ↵ key.

The main configuration menu is displayed

APC by Schneider Electric
NETWORK MANAGEMENT CARD

- 1 : Reset
- 2 : Network configuration
- 3 : Set Login Password to Default
- 4 : Return to Default Configuration
- 0 : Exit

Your network is equipped with a BOOTP/DHCP server (default)

The card is configured by default with this service enabled. No manual configuration is required. The IP parameters are automatically collected by the card.

To view the network configuration(from the main configuration menu):

- ▶ Press the 2 key (Network configuration), then press the ↵ key.
- ▶ Press the 1 key(Read Network settings)., then press the ↵ key.

The settings supplied by the server are displayed:

```
Network configuration :
MAC address : 00:06:23:00:1C:07
Mode : DHCP
IP address : 172.17.23.18
Subnet mask : 255.255.248.0
Gateway : 172.17.17
```

- ▶ Note the IP address.
- ▶ Press the ↵ key
- ▶ Press the 0 key (Exit), then press the ↵ key.
- ▶ Press the 0 key (Exit), then press the ↵ key.

Your network is not equipped with a BOOTP/DHCP server

Manual configuration is required.

To set the network configuration(from the main configuration menu):

- ▶ Press the 2 key (Network configuration), then press the ↵ key.
- ▶ Press the 2 key (Modify Network settings), then press the ↵ key.
- ▶ Follow the instructions and enter the IP parameters:

- ```
1 : Read Network settings
2 : Modify Network settings
3 : Set ethernet speed
0 : Exit
```

For each of the following questions, you can press "Return" to select the value shown in braces, or you can enter a new value

```
Should this target obtain IP settings from the network?[N] N
Static IP address [172.17.16.16]? 172.16.1.82
Subnet mask IP address [255.255.0.0]? 255.255.255.0
Gateway address IP address [0.0.0.0]? 172.17.17.1
Done
```

Wait until "Done" is displayed, indicating that the IP parameters have been saved.

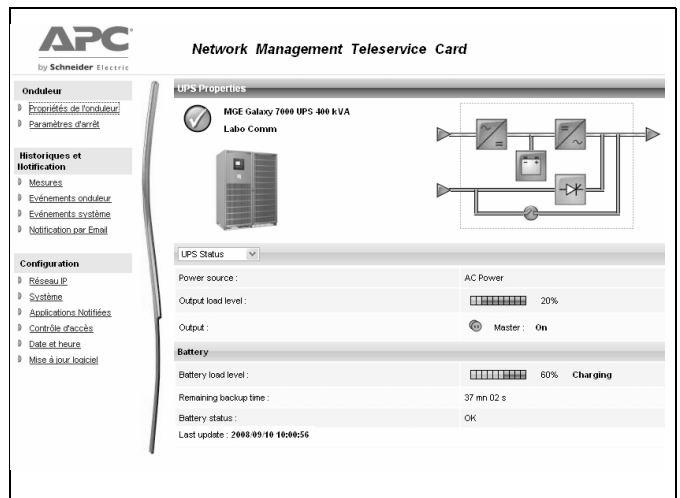
- ▶ Press the 0 key (Exit), then press the ↵ key.
- ▶ Press the 1 key (Reset), then press the ↵ key.

The card restarts with the new IP settings (after approx. two minutes).

# ACCESS TO SUPERVISION

To check whether the **Network Management Teleservice Card** is operational after installation and IP settings, proceed as follows.

- ▶ Run a browser
- ▶ Enter in the address bar:  
**http://IP address/** (e.g. <http://172.16.1.82/>)
- ▶ The home page is displayed:



- ▶ Set the time by clicking the Time command.
- ▶ Continue configuration via the sections in the Settings menu.

# Teleservice procedure

- ▶ Install the **Network Management Teleservice Card** kit using the present manual.
- ▶ Fill in the information form (3402228500).
- ▶ Send the form to your Teleservice centre (by Fax or Internet).
- ▶ Your centre will activate this service.
- ▶ You receive an acknowledgement of receipt.

**The information form must be sent back in order to trigger remote monitoring of your equipment.**

# USER MANUAL

The manual (34003991EN) provides all the information required to use, install and configure the **Network Management Teleservice Card**.

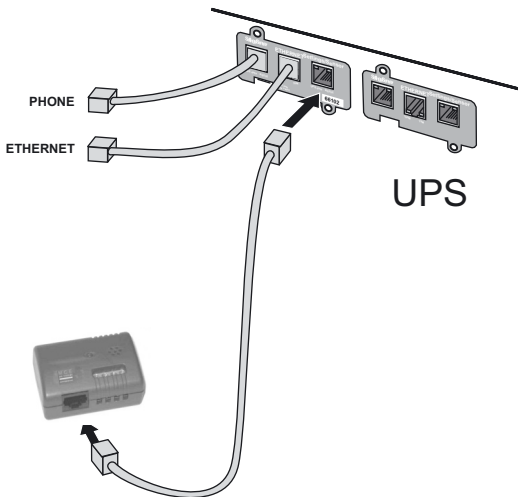
For more information on the supervision, control and configuration functions offered by the **Network Management Teleservice Card**, see the user manual on the [www.apc.com](http://www.apc.com) web site.

## SENSOR CONNECTION (option)

The Environment sensor is a **Network Management Teleservice Card** option.

The sensor remotely monitors the UPS environment by regularly measuring the temperature and humidity, and checking the states of two external contacts. It can also send alarms (e-mail, SNMP trap) tripped by pre-set thresholds.

Connection is made via the Service port (Settings/Sensor) on the **Network Management Teleservice Card**. The sensor is detected automatically. Configuration and supervision use a menu that may be accessed directly from the home page. For more information, see the user manual of the **Network Teleservice Management Card**.



**APC**  
by Schneider Electric

**Network Management Teleservice Card**

**UPS**

- UPS Properties
- Shutdown Parameters

**Logs and Notification**

- Measurements
- Event Log
- System Log
- Email Notification

**Settings**

- Network
- System
- Notified Applications
- Access Control
- Time
- Firmware Upload

**Environment**

- Status
- Settings
- Log

**Environment Status**

MGE Galaxy 7000 UPS 400 kVA

**Temperature**

0 °C    25.2 °C    70 °C

Min: 21.5 recorded on 2008/06/23 17:45:14  
Max: 35.4 recorded on 2008/06/26 03:08:40

Reset Min/Max    Calibrate

**Humidity**

0 %    37.3 %    100 %

Min: 26.9 % recorded on 2008/06/26 04:02:09  
Max: 61.2 % recorded on 2008/06/23 17:45:14

Reset Min/Max    Calibrate

**Input #1**

1970.01.01 00:00:41    Input #1 close

**Input #2**

1970.01.01 00:00:41    Input #2 close

## TECHNICAL CHARACTERISTICS

| Physical characteristics                                      |                                                                                                                                                                                                                                                                                                   |
|---------------------------------------------------------------|---------------------------------------------------------------------------------------------------------------------------------------------------------------------------------------------------------------------------------------------------------------------------------------------------|
| Dimensions (W x D x H)                                        | 132 x 66 x 42 mm                                                                                                                                                                                                                                                                                  |
| Weight                                                        | 85 g                                                                                                                                                                                                                                                                                              |
| RoHS                                                          | 100% compatible                                                                                                                                                                                                                                                                                   |
| Storage                                                       |                                                                                                                                                                                                                                                                                                   |
| Storage temperature range                                     | -10°C to 70°C                                                                                                                                                                                                                                                                                     |
| Ambient conditions                                            |                                                                                                                                                                                                                                                                                                   |
| Operating temperature range                                   | 0°C to 40°C                                                                                                                                                                                                                                                                                       |
| Relative humidity                                             | 90% RH max. without condensation                                                                                                                                                                                                                                                                  |
| Card performance                                              |                                                                                                                                                                                                                                                                                                   |
| Supply voltage                                                | 5V ±5%                                                                                                                                                                                                                                                                                            |
| Supply current (all LEDs ON and Environment Sensor connected) | 500 mA max.                                                                                                                                                                                                                                                                                       |
| Functions                                                     |                                                                                                                                                                                                                                                                                                   |
| Web supervision                                               | 5 browsers max. (http),<br>3 browsers max. (https)                                                                                                                                                                                                                                                |
| Languages                                                     | English                                                                                                                                                                                                                                                                                           |
| Alarms                                                        | E-mail, SNMP TRAP, Web page                                                                                                                                                                                                                                                                       |
| Log                                                           | 400 measurements or events                                                                                                                                                                                                                                                                        |
| Server protection                                             | Up to 35 servers protected                                                                                                                                                                                                                                                                        |
| Network                                                       | Fast ETHERNET, 10/100 Mbits, auto-negotiation<br>HTTP 1.1, SNMP V1, NTP, TFTP, SMTP,<br>BOOTP/DHCP                                                                                                                                                                                                |
| Identification                                                | User name and password                                                                                                                                                                                                                                                                            |
| Security                                                      | SSL 3.0, TLS 1.0                                                                                                                                                                                                                                                                                  |
| Browsers                                                      | Microsoft Internet Explorer 6.x or higher                                                                                                                                                                                                                                                         |
| NMS                                                           | Enterprise Power Manager (EPM)<br>Management-Pac 2                                                                                                                                                                                                                                                |
| MIB                                                           | MIB II standard - MGE V1.7 MIB                                                                                                                                                                                                                                                                    |
| Settings (default values)                                     |                                                                                                                                                                                                                                                                                                   |
| IP network                                                    | BOOTP/DHCP enabled<br>IP address: 172.17.16.16<br>Subnet mask: 255.255.0.0<br>Gateway: 0.0.0.0<br>NTP server: pool.ntp.org                                                                                                                                                                        |
| Web-page access control                                       | User name: MGEUPS<br>Password: MGEUPS                                                                                                                                                                                                                                                             |
| Service-port menu access control                              | Password: MGEUPS or mgeups<br>(not modifiable)                                                                                                                                                                                                                                                    |
| Date and time                                                 | Synchronise with an NTP server (GMT)                                                                                                                                                                                                                                                              |
| Service port                                                  | 38400 bits/s, 8 bits, 1 bit stop, no parity                                                                                                                                                                                                                                                       |
| Standards                                                     |                                                                                                                                                                                                                                                                                                   |
| ITE (Information Technology Equipment) safety                 | IEC/EN 60950-1 (2005)                                                                                                                                                                                                                                                                             |
| R&TTE                                                         | 99/05/EEC                                                                                                                                                                                                                                                                                         |
| EMC                                                           | EN 61000-6-2 (2005), EN 61000-6-3 (2006)<br>2004/108/EEC                                                                                                                                                                                                                                          |
| Low voltage                                                   | 2006/95/EEC                                                                                                                                                                                                                                                                                       |
| FCC (Federal Communication Commission)                        | This equipment has been tested and found to comply with the limits for a <b>Class B</b> digital device, pursuant to part 15 of the FCC rules. These limits are designed to provide reasonable protection against harmful interference when the equipment is operated in a commercial environment. |

## Free Manuals Download Website

<http://myh66.com>

<http://usermanuals.us>

<http://www.somanuals.com>

<http://www.4manuals.cc>

<http://www.manual-lib.com>

<http://www.404manual.com>

<http://www.luxmanual.com>

<http://aubethermostatmanual.com>

Golf course search by state

<http://golfingnear.com>

Email search by domain

<http://emailbydomain.com>

Auto manuals search

<http://auto.somanuals.com>

TV manuals search

<http://tv.somanuals.com>