



Smart-UPS[®]
Addendum
UPS Rack-Mount Installation

English

Introduction

The APC Uninterruptible Power Supply (UPS) is designed to prevent utility blackouts, brownouts, sags, and surges from reaching your electronic equipment. The uninterruptible power supply (UPS) filters small utility line fluctuations and isolates your electronic equipment from large disturbances by internally disconnecting from the utility line. The UPS provides continuous power from the internal battery until utility power returns to safe levels or the battery is fully discharged.


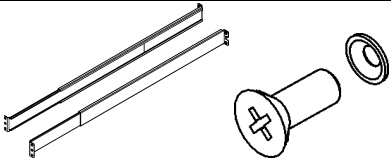

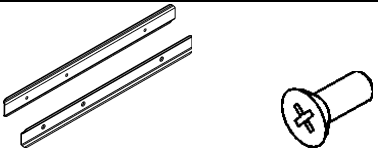
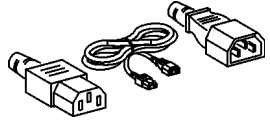
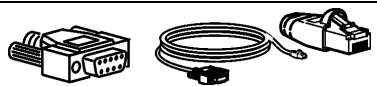
Unpacking

Read the Safety Guide before installing the UPS.

Inspect the UPS upon receipt. Notify the carrier and dealer if there is damage.

The packaging is recyclable; save it for reuse or dispose of it properly.

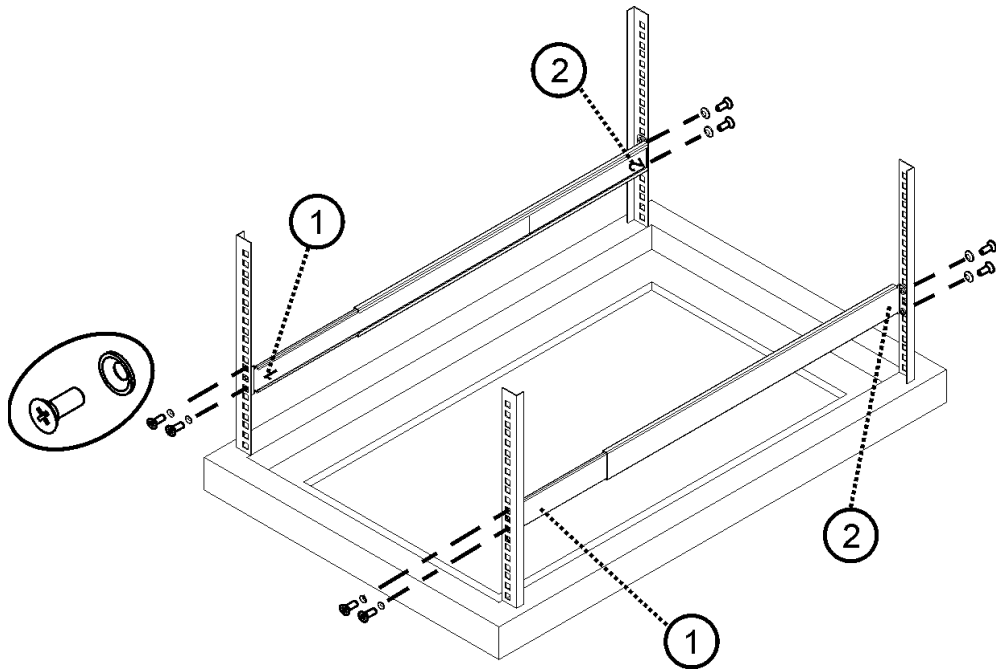
Check the package contents.

ALL MODELS	100/120 V MODELS	208/230 V MODELS
<ul style="list-style-type: none"> • UPS • Front bezel • Rail Kit • Brackets • Hardware 	<ul style="list-style-type: none"> • Literature kit <ul style="list-style-type: none"> • Product Documentation • Safety Guide • Serial Cable 	<ul style="list-style-type: none"> • Literature kit <ul style="list-style-type: none"> • Product Documentation • Safety Guide • Serial Cable • Two IEC Cables
ITEM	DESCRIPTION	QUANTITY
	ORNAMENTAL SCREWS	2
	RAILS M5 SCREWS WASHERS (FOR USE IN RACKS WITH SQUARE HOLES)	2 8 8
	BRACKETS #8 SCREWS	2 4
	CLEATS #8 SCREWS	2 6
	IEC CABLES	2
	SERIAL CABLE	1

INSTALLATION

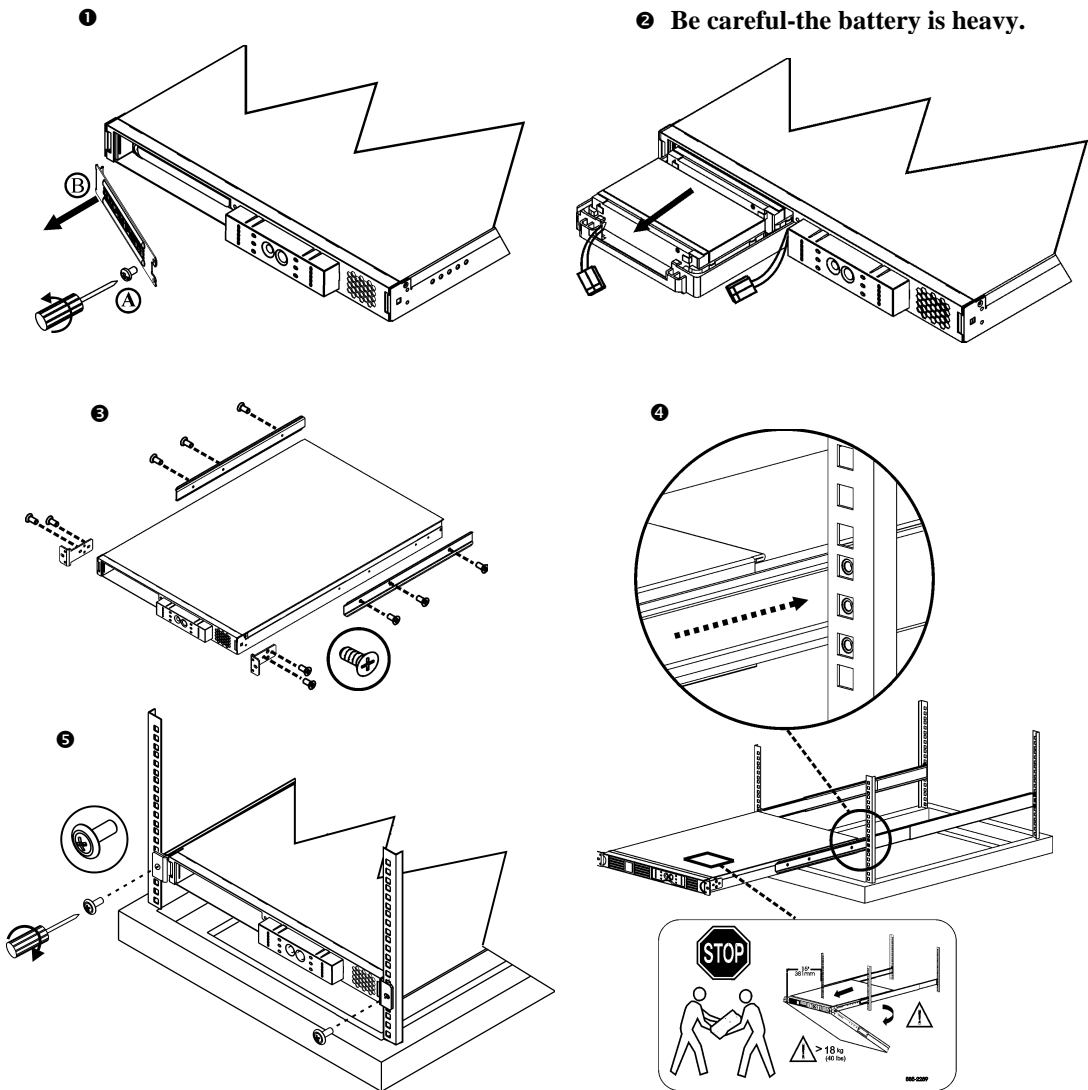
Install the Rails in the Rack

The UPS fits in a standard 19 inch, (46.5 cm) rack.



Mount the UPS in a Rack

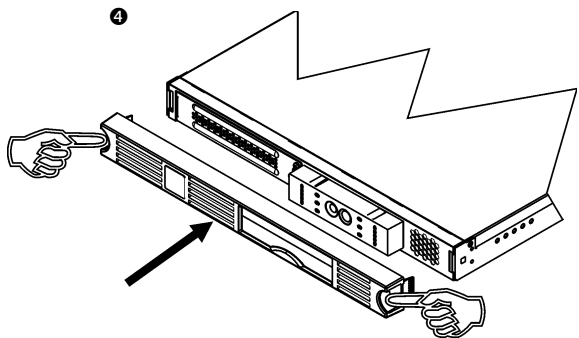
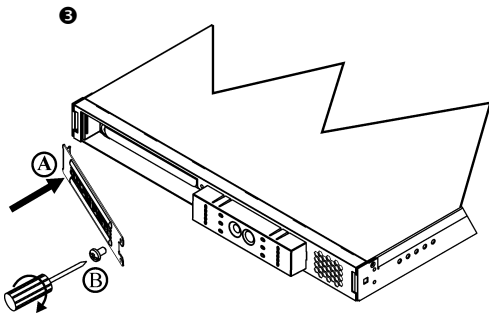
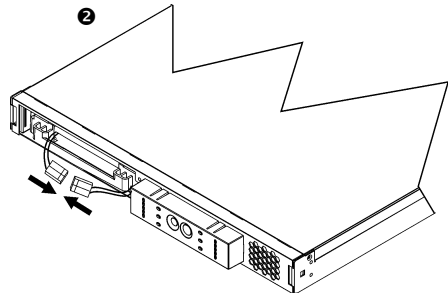
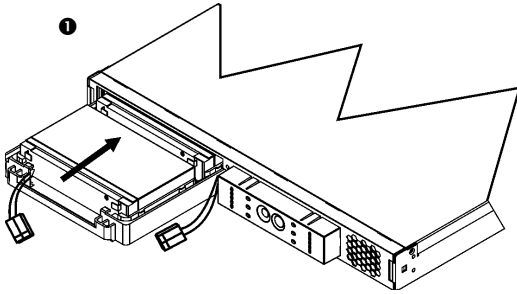
The UPS is heavy. To lighten it, you must remove the battery before mounting the unit in the rack, Steps 1 and 2.



Ensure that both cleats are properly seated in the rail.

Check to ensure the rack will not tip after installing the UPS into the rack.

Install and Connect the Battery and Attach the Front Bezel



Free Manuals Download Website

<http://myh66.com>

<http://usermanuals.us>

<http://www.somanuals.com>

<http://www.4manuals.cc>

<http://www.manual-lib.com>

<http://www.404manual.com>

<http://www.luxmanual.com>

<http://aubethermostatmanual.com>

Golf course search by state

<http://golfingnear.com>

Email search by domain

<http://emailbydomain.com>

Auto manuals search

<http://auto.somanuals.com>

TV manuals search

<http://tv.somanuals.com>