

APC BC300 Series 40kW 208/450/480V Installation Guide



APC
www.apc.com

Copyright ©2002 APC Denmark ApS

This manual is subject to change without notice and does not represent a commitment on the part of the vendor



Thank You

Thank you for choosing the APC BC300 Series. Read this Installation Guide before you install and use the system as it provides important information on safe and efficient installation and use.

The installation and use of this product must comply with national, federal, state, municipal and local codes.

IMPORTANT SAFETY INSTRUCTIONS – SAVE THESE INSTRUCTIONS

Safety Symbols used in this manual



WARNING! Indicates a hazard which, if not avoided, could result in injury or death.



CAUTION! Indicates a hazard which, if not avoided, could result in damage to the product or other property.

NOTICE! Read and pay attention to this important information.



WARNING

This UPS unit contains hazardous AC and DC voltages. Only qualified electricians should connect the UPS, AC line and external batteries, and must be familiar with batteries and battery installation.

Before installing, maintaining or servicing the UPS, shut off the UPS and disconnect all sources of AC and DC power.

As the UPS has no built-in disconnection devices to switch off external AC and DC input power, ensure that disconnection devices are available as separate parts in connection with the installation.

The installer must provide each external disconnecting device for this UPS system with labels with the following text:

“Isolate the Uninterruptible Power Supply (UPS) as instructed in this guide before working on circuit”.

AC and/or DC voltage will always involve a potential risk of AC voltage at UPS output generated from either batteries or utility. To avoid equipment damage or personal injury, always assume that there may be voltage at UPS output.

This system is equipped with an auto-start function. If activated, the system may start without warning. Refer to the “Programming” section for information on de-activation.

TEST BEFORE YOU TOUCH!

To reduce the risk of fire or electric shocks, install the UPS and external batteries in a temperature and humidity controlled indoor area, free of conductive contaminants.

UPS batteries are high-current sources. Shorting battery terminals, DC terminals or DC busbars can cause severe arcing, equipment damage and injury. A short circuit can cause a battery to explode. Always wear protective clothing and eye protection and use insulated tools when working on batteries.



CAUTION!

This unit contains components sensitive to electrostatic discharge (ESD). If you do not follow the ESD procedures, you may cause severe damage to electronic components.

Contents:

1.0	Introduction	4
1.1	Tools and Equipment Needed	4
2.0	Receiving, Unpacking, Moving and Storing the UPS and Batteries	5
2.1	Receiving, Unpacking and Moving to Site	5
2.2	Storing the UPS and Batteries	5
3.0	Installation	6
3.1	Requirements on Site	6
3.1.1	UPS Footprint (measurements in inches & mm)	7
3.2	Installing the Conduit Connection Kit	7
3.2.1	Conduit Connection Kit Contents	8
3.2.2	Installing Pedestals	8
3.2.3	Installing Conduit Box and Base Covers	8
3.3	Installing the Maintenance Bypass Panel and UPS	9
3.3.1	Component Overview (door open)	11
3.3.2	Wire Terminals	12
3.3.3	Wiring Diagram for BC300	13
3.3.4	Single Line Diagram for BC300	14
3.3.5	External Connection Board	18
3.3.6	Communication Interface Board (Option)	19
3.4	Smart Slot and Connection of Triple Chassis	20
3.5	APC BC300 Triple Chassis	21
3.5.1	Safety Warnings	21
3.5.2	Product Description	21
3.5.3	Installing Management Products	22
3.5.4	Powering the APC BC300 Triple Chassis	23
3.5.5	Troubleshooting	24
3.5.6	Product Specifications	25
3.6	Installation of External Batteries and Battery Breaker	27
3.6.1	Battery Installation	27
3.6.2	Battery Replacement	30
4.0	Initial Start-up and Phase Check	31
4.1	Initial Start-up and Phase Check (External Batteries)	31
5.0	Clearing the Events Log	32
6.0	Start-up and Shutdown Procedure	33
6.1	Start-up from Maintenance Bypass	33
6.2	Shutdown Procedure	33
7.0	Technical Specifications	35
7.1	APC BC300 Series 40 kW Technical Data	35
7.2	Battery Specifications	36
7.3	Dimensions/Weight	36
8.0	How to Contact APC	37

1.0 Introduction

This Installation Guide provides information on UPS installation, wiring, start-up and shut-down procedures along with Maintenance Bypass Panel phase check and external battery installation.

Refer to national and local electrical codes prior to installing the UPS system.

1.1 Tools and Equipment Needed

This section lists all tools and equipment required to connect the UPS to the Maintenance Bypass Panel.

Insulated Tools and Other Equipment Needed:

- Torque wrench in inch-pounds or newton-meters
- Standard U.S. and metric wrenches
- Petroleum jelly or conductive grease
- Brush (for applying petroleum jelly or conductive grease to battery terminals)
- Mallet
- Volt-Ohm meter (True RMS - Digital)
- Pliers
- Ratchet and sockets
- Electrical tape
- Standard and Phillips screwdrivers
- Torx head screwdriver set
- APC BC300 User Guide
- Phase rotation meter

Cables and interconnection hardware is not provided by APC.

Receiving, Unpacking, Moving and Storing the UPS and Batteries

2.0 Receiving, Unpacking, Moving and Storing the UPS and Batteries

2.1 Receiving, Unpacking and Moving to Site

**CAUTION!**

Heavy equipment. To prevent personal injury or equipment damage, use caution when handling and transporting UPS cabinet and equipment.

1. While the UPS system is still on the truck, inspect the equipment and shipping container(s) for any signs of damage. Do not install the system if damage is apparent. If damage has occurred, notify APC as soon as possible.
2. Compare the shipment with the bill of lading. Report any missing items to the carrier and to APC immediately.
3. Remove the screws on the bottom part of the packaging side plates.
4. Remove the packing materials from the unit.
5. Verify compliance between type label on reverse side of UPS front door and system ordered. Check input and output voltage.
6. Unbolt the unit from the pallet.
7. Remove the unit from the pallet with a forklift.
8. Use a forklift or hand truck to transport the unit to the installation or storage site. Study the footprint to decide how to move the UPS through doorways and into position.

**PLEASE RECYCLE**

The shipping materials are recyclable. Please save for later use or dispose of them appropriately.

2.2 Storing the UPS and Batteries

Store the APC BC300 Series UPS between -4 and 104° F (-20 and 40° C). However, APC recommends that the unit and batteries be stored between 59 and 77° F (15 and 25° C). This temperature range, or cooler, allows batteries a longer shelf life. Recharge stored batteries every 90 to 120 days.

See the section “Requirements on Site” in this Installation Guide for further details.

3.0 Installation

3.1 Requirements on Site

A 3-foot free space on all sides should be allowed during installation. Place the UPS in a clean, dust-free environment, free of contaminants. Allow air circulation around the UPS cabinet and any battery cabinets or racks.

- Ambient temperature range: 32 to 104° F (0 to 40° C).
Ideal temperature: 77° F (25° C)

NOTE: At 92° F (33° C), battery life would be approx. 50% compared to storage at a normal temperature of 77° F (25° C). At 113° F (45° C). Battery life will be reduced to some 25%. Make sure that the floor can support the weight of the UPS, external batteries, and any other necessary equipment.

- Never install systems in direct sunlight or near heat sources.
- Service access from front and top of unit. Cable entry from bottom of unit.
- Do not operate the UPS or batteries in a sealed room or container.

NOTICE!

Allow a minimum clearance of 3 foot (914mm) for service in front of and above the UPS and 6 inches (152mm) at the back.

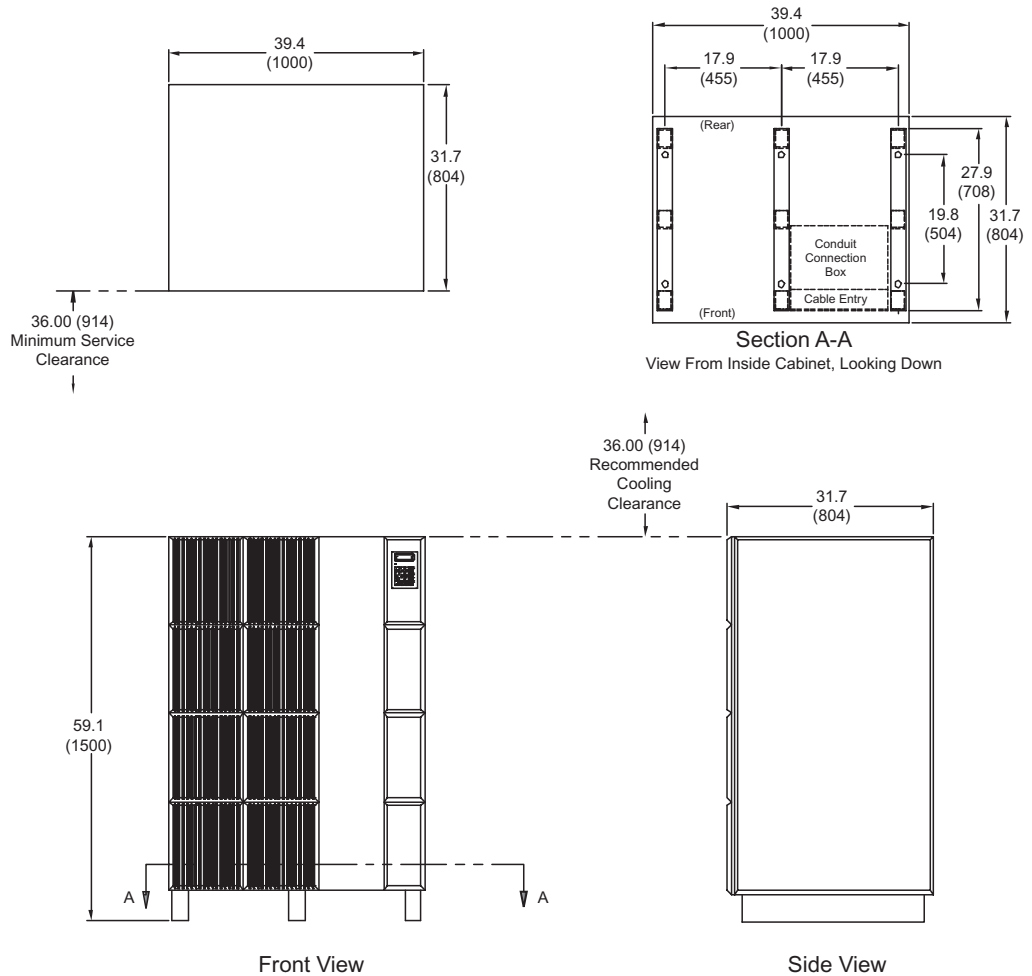
NOTICE!

Do not stand on the UPS. Keep the UPS cabinet surface free of objects.

Installation

3.1.1 UPS Footprint (measurements in inches & mm)

Figure 1 - Footprint



Notes:

1. All dimensions are in inches (millimeters).
2. Minimum cooling and service clearance 36.00 (914).
3. Conduit entry is bottom of unit.
4. Unit weight = 1798lbs (815kg)
5. Installation must comply with all applicable national and local codes

3.2 Installing the Conduit Connection Kit

Insulated and other tools required

- 13 mm ratchet or wrench
- T20 torx screwdriver
- Greenly punch
- Equipment suitable for lifting heavy UPS off the ground

990-1401

3.2.1 Conduit Connection Kit Contents

For Pedestals:

- 23 pedestals
- 4 M8 x 100 mm bolts
- 4 M8 lock washers
- 4 M8 flat washers
- 4 M8 nuts

For Conduit Box:

- 1 Conduit Box
- 1 Conduit Box Cover
- 11 M5 x 12 mm T20 Torx screws
- 11 M5 lock washers
- 11 M5 flat washers

For Base Covers:

- 2 Side Base Covers
- 2 Front/Rear Base Covers
- Hook and loop fasteners

3.2.2 Installing Pedestals



CAUTION!

Heavy Equipment. Use caution and appropriate equipment to safely lift the UPS several inches above the floor when installing pedestals.

- 1) Remove brackets mounted to the UPS feet during shipping
- 2) Lift the UPS off the floor and place the pedestals under UPS feet where the holes of pedestals and holes in UPS feet are aligned
- 3) With caution lower the UPS feet into pedestal
- 4) Fasten but **DO NOT TIGHTEN** bolts, washers and nuts on the four corner feet of UPS

NOTICE!

Place flat washer under the bolt head and the lock washer under the nut.

- 5) Move the UPS to the installation site
- 6) Tighten the bolts

3.2.3 Installing Conduit Box and Base Covers

- 1) Punch conduit holes in the back of the conduit box
- 2) Place the conduit box between the center leg and right leg of the unit, with the open side facing the front of the unit

Installation

- 3) Use four T20 torx screws and washers to fasten the conduit box to the front legs of the UPS

NOTICE!

Place flat washer, lock washer and screw in this particular order.

- 4) After all UPS wiring has been completed, attach conduit box cover to the front of the conduit box
- 5) Use hook and loop fasteners to attach the base covers to the UPS

3.3 Installing the Maintenance Bypass Panel and UPS

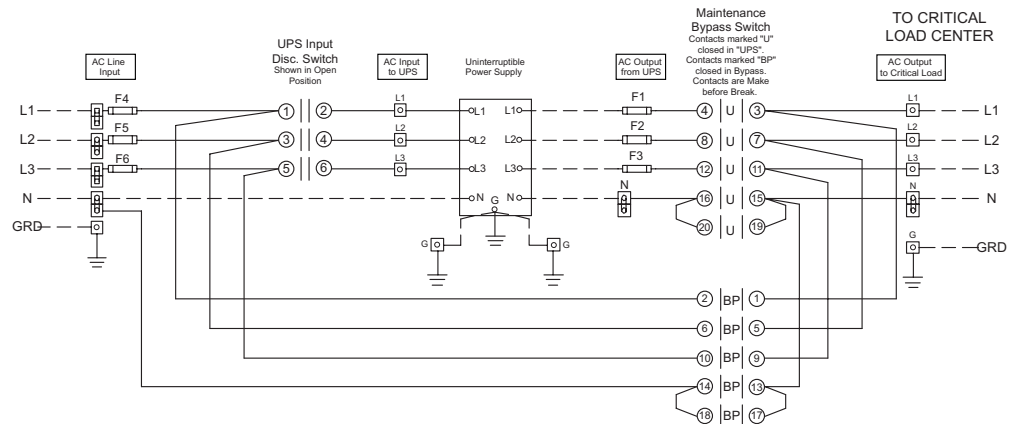
IMPORTANT!

If you do not have an APC Maintenance Bypass Panel, you must provide overcurrent protection and a UPS input AC disconnect means.

APC **strongly recommends** that a means of bypassing the UPS from the critical load be provided for maintenance.

Follow these guidelines when installing the Maintenance Bypass Panel and UPS:

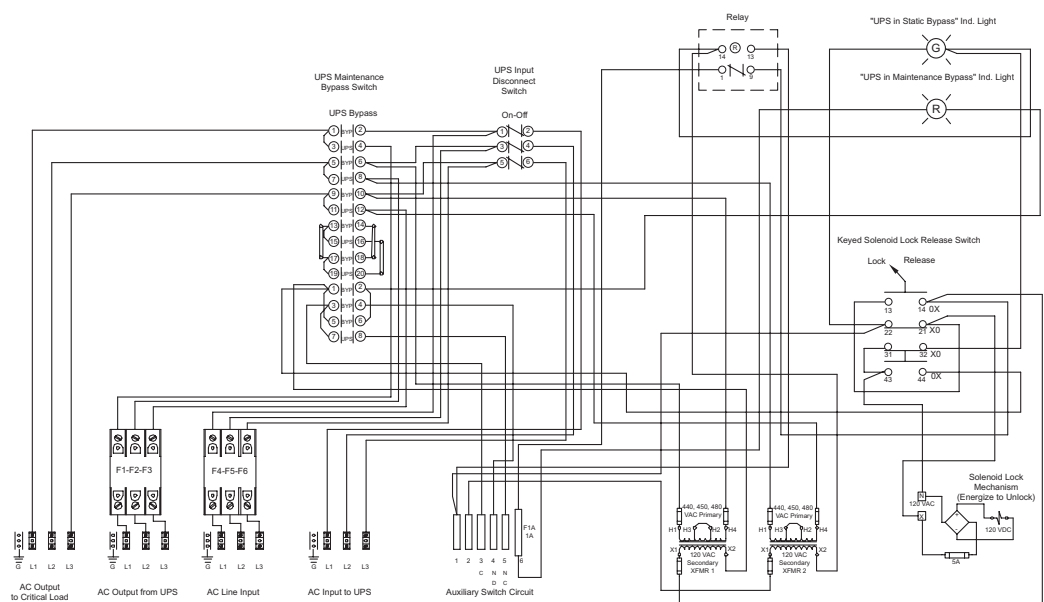
- Install the Maintenance Bypass Panel within sight of the UPS. When installing the Maintenance Bypass Panel, see illustrations under *Wiring Diagram for BC300* and any instructions provided with the Maintenance Bypass Panel.
- Install all wiring in accordance with applicable electrical codes. Use 75° C copper conductors.
- Install the AC input and UPS output in separate conduits. **UPS output circuits must be installed in dedicated conduit systems** and separate from other electrical circuits.
- Control wiring must be installed in a separate conduit.
- Good ground connections are necessary to reduce electrical noise and make the operation of the UPS and the loads safe. Follow the grounding guidelines in the installation wiring diagram. Refer to the National Electrical Code (NEC), appropriate IEEE documents, and all applicable codes.
- For systems with non-linear, neutral-connected loads, standard practice is to size the neutral conductor for 1.732 times the phase current.
- When installing the AC wiring, refer to the illustration *Single Line Diagram for BC300* and to any additional diagrams provided with the UPS. The illustration shows **typical installations**. Your installation may be different.
- See *Component Overview* illustration for a view of the UPS with covers removed. See *Wiring Termination* or *Component Overview* illustrations for UPS wiring terminations. Refer to illustration *External Connection Board* for information on the external connection board. See illustration *Communication Interface Board (Option)* for information on the optional communication interface board.
If you have any questions, contact APC Technical Support for assistance.



Notes:

1. 208V F1, F2, F3 = 120A
2. 480V F1, F2, F3 = 55A
3. 208V F4, F5, F6 = 170A
4. 480V F4, F5, F6 = 75A
5. All AC power cabling is 3- or 4-wire + Ground at 208VAC / 480VAC 3-phase.
6. Installation must comply with all applicable national and local codes.

Figure 2 - SBP Electrical Schematic 208V & 480V



Notes:

1. F1, F2, F3 = 60A
2. F4, F5, F6 = 80A
3. All AC power cabling is 3 wire + Ground at 450VAC 3-phase.
4. Installation must comply with all applicable national and local codes.

Figure 3 - SBP Electrical Schematic 450V

Installation

3.3.1 Component Overview (door open)

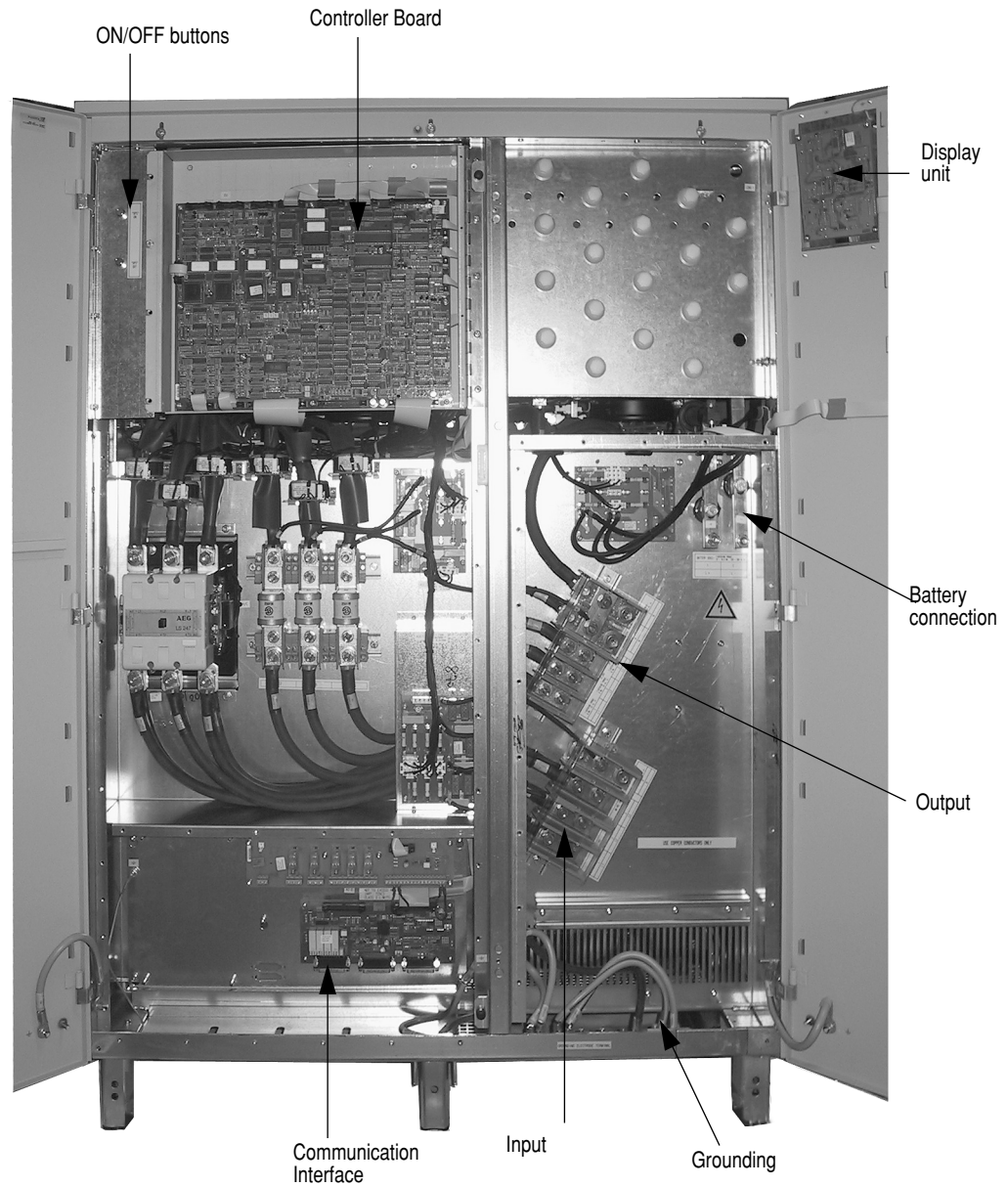


Figure 4 Component Overview

990-1401

3.3.2 Wire Terminals

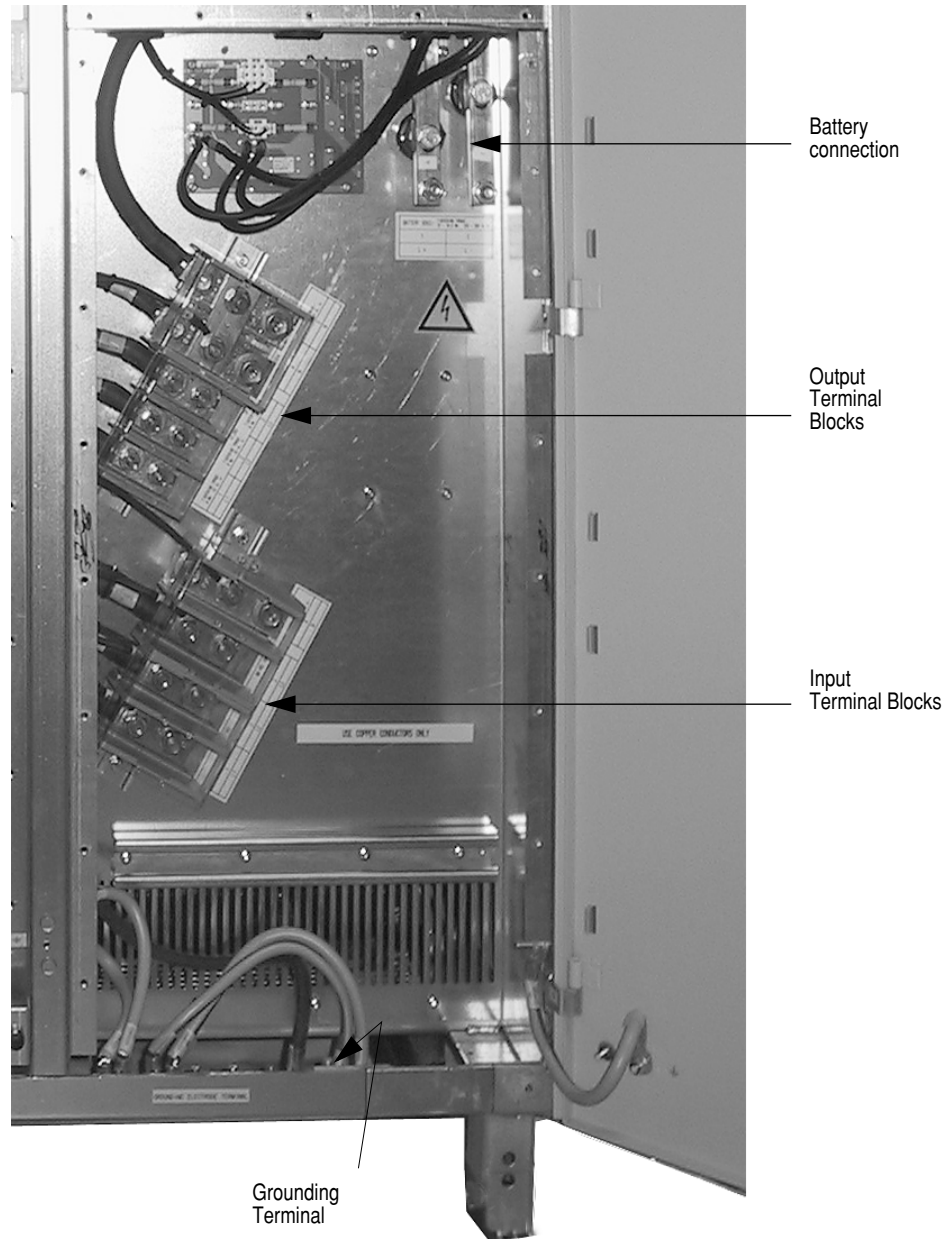


Figure 5 Wire Terminals

Installation

3.3.3 Wiring Diagram for BC300

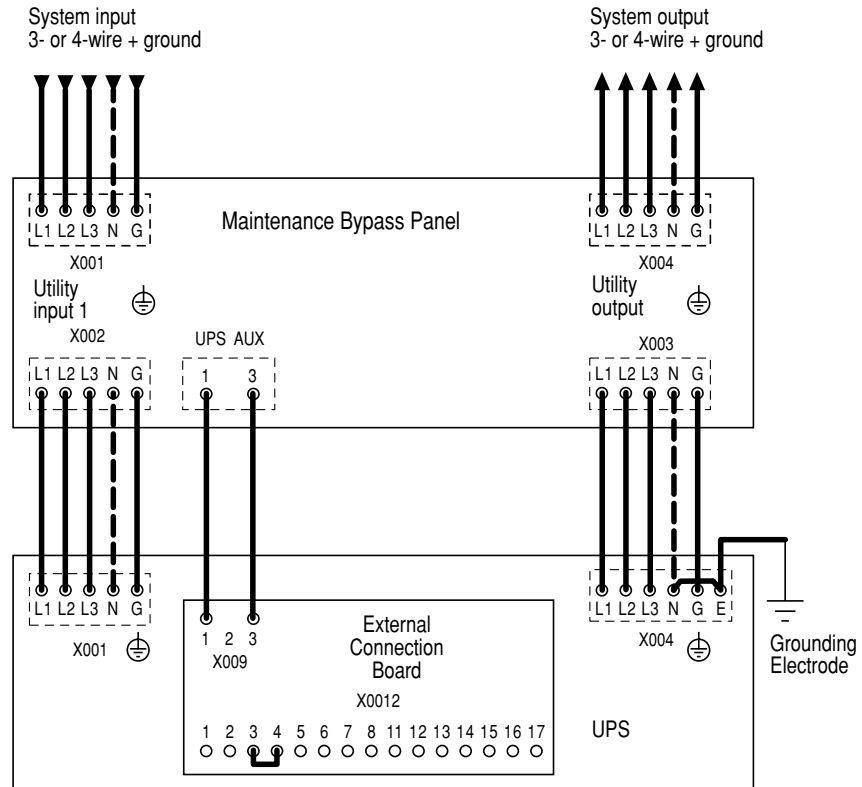


Figure 6 Wiring Diagram

Notes:

1. All systems are 3-wire+ground.
2. Cables not provided by APC.
3. All AC power cables must be 3- or 4-wire plus ground 3-phase
4. Power and data cabling must be run in separate conduits.
5. Installation must comply with national and local codes.

NOTICE!

You must provide overcurrent protection and UPS input AC disconnect means. Refer to "Technical Specifications" section in this Installation Guide for recommended UPS input and output overcurrent protection.



CAUTION!

UPS systems can be connected as 3-phase, 3-wire plus ground, if no loads are using the neutral conductor.

CAUTION!

Read warnings on page 2 of this Installation Guide before continuing.

NOTICE!

Only authorized electricians may install the UPS and all applicable codes must be observed.

990-1401

NOTICE!

Always keep AC, DC and communication cables separated.

NOTICE!

The grounding electrode conductor (Protective Earth - PE) must be the same size (ampacity) as the UPS input circuit conductors. Conduit is not an acceptable grounding electrode conductor - see National Electrical Code Section 250-91(a).

NOTICE!

The unit is wired from the factory as a separately derived system. Output neutral is bonded to equipment ground through main bonding jumper inside the UPS. See National Electrical Code Article 250-5(d) and 250-26 for correct installation grounding.

3.3.4 Single Line Diagram for BC300

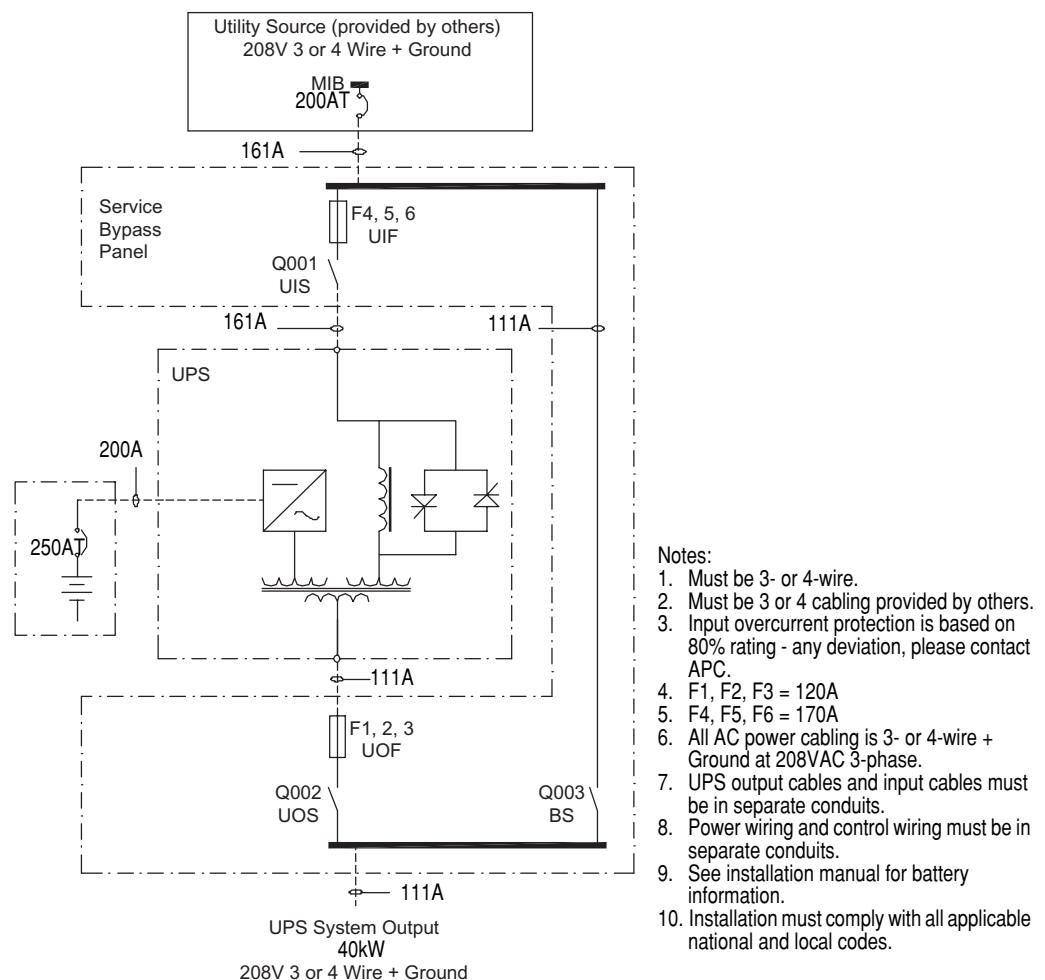


Figure 7 Single Line Diagram 208V

Installation

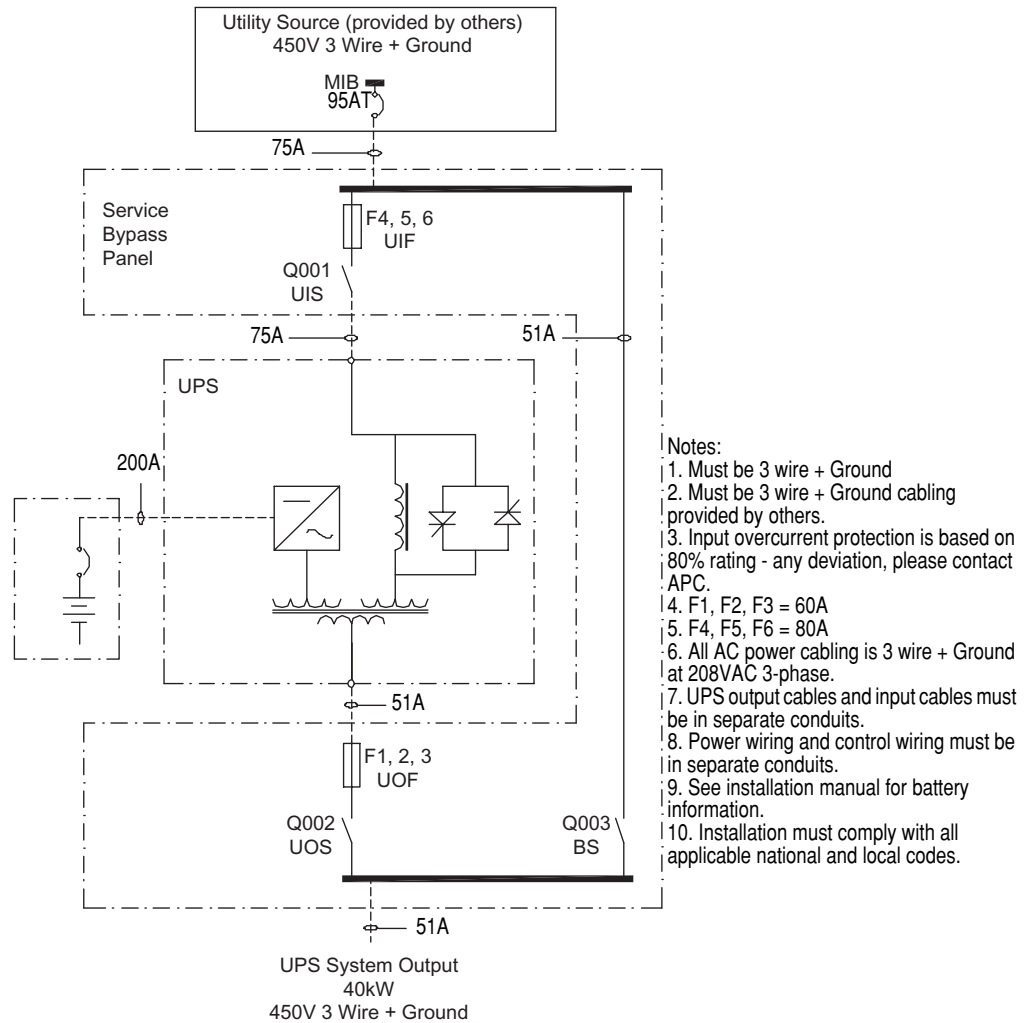


Figure 8 - Single Line Diagram 40kW 450V

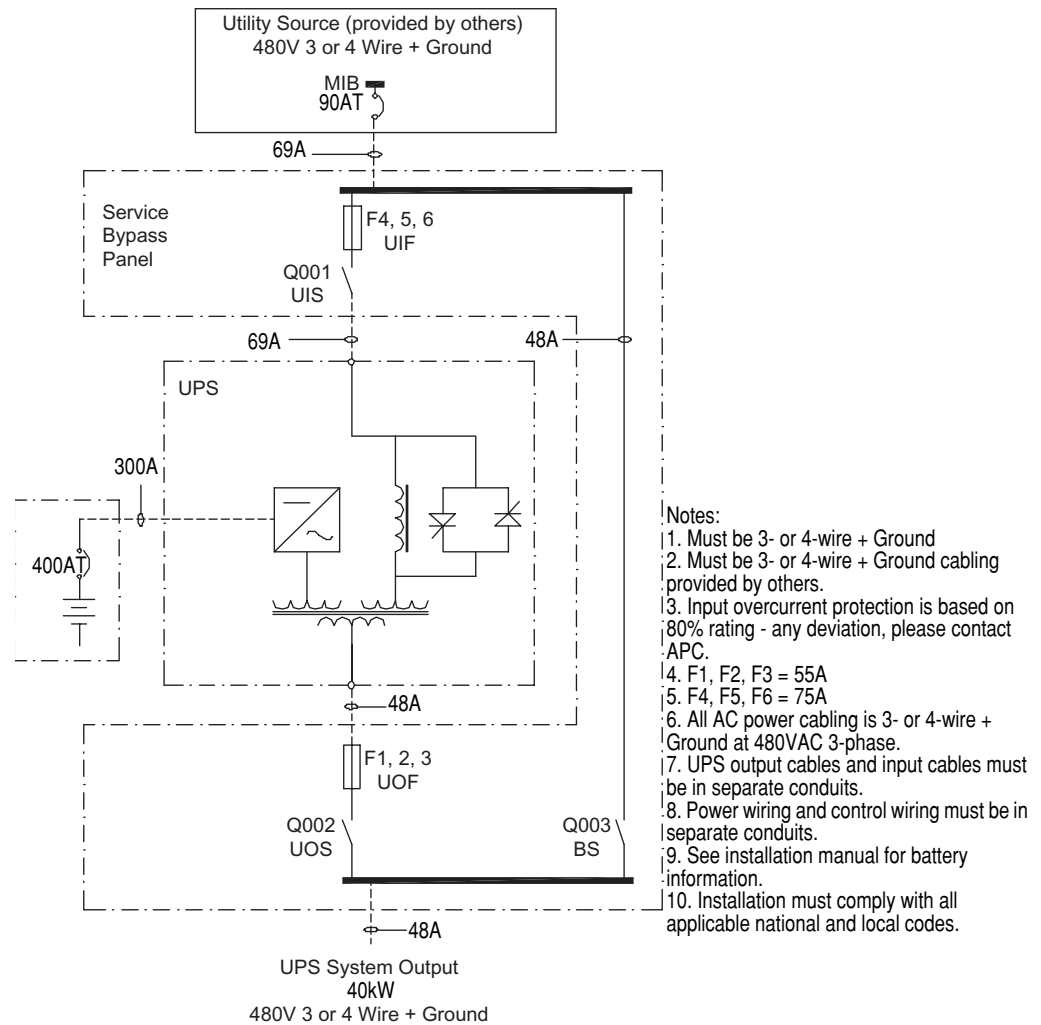


Figure 9 Single Line Diagram 480V

NOTICE!

Size utility input overcurrent protection device as per applicable codes. See below table for utility input voltage and current ratings.

Installation

UPS Model	Input Current	Output Current	Recommended MIB	DC Voltage	DC Current
40kW 208V	161A	111A	200AT	216V	200A
40 kW 450V	75A	51A	95AT	216V	200A
40kW 480V	69A	48A	130AT	216V	200A

Notes:

1. 3- or 4-wire provided source.
2. Cables not provided by APC.
3. Recommended input over-current protection (MIB) based on an 80% rated device.
4. All AC cables must be AC 3- or 4-wire 3-phase.
5. Keep UPS input, output and control cables in separate conduits.
6. Installation must comply with all applicable national and local codes.

NOTICE!

Over-current protection and UPS input AC disconnect means must be provided. See the "Technical Specifications" section in this Installation Guide for recommended UPS input and output over-current protection.



CAUTION!

UPS systems can be connected as 3-phase, a 3-wire plus ground, provided that the load is not connected to the neutral conductor.

NOTICE!

Only authorized electricians may install the UPS and all applicable codes must be observed.

NOTICE!

Always keep AC, DC and communication cables separated.

NOTICE!

The grounding electrode conductor (Protective Earth - PE) must be the same size (ampacity) as the UPS input circuit conductors. Conduit is not an acceptable grounding electrode conductor - see National Electrical Code Section 250-91(a).

NOTICE!

The unit is wired from the factory as a separately derived system. Output neutral is bonded to equipment ground through main bonding jumper inside the UPS. See National Electrical Code Article 250-5(d) and 250-26 for correct installation grounding.

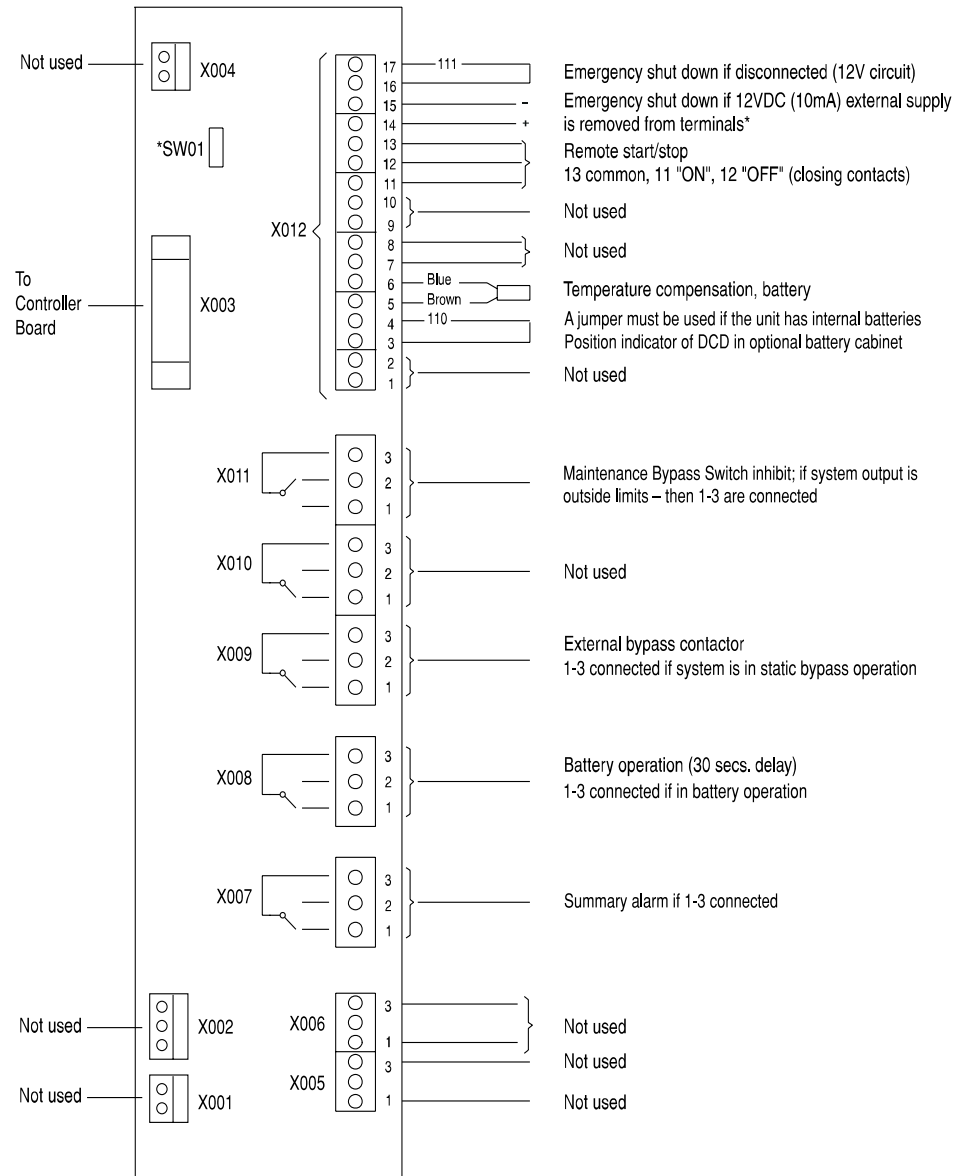
NOTICE!

The maintenance bypass switch must be a 4-pole device switching all three phases and neutral. If you are using a 3-pole device, contact APC Technical Support for instructions on how to convert the unit to a not-separately derived system.

990-1401

3.3.5 External Connection Board

Use Class 1 wiring methods.



X007-X011 are change over relay contacts (not to exceed NEC ART. 725 C Class 2 limits: 250 VAC @ 8 A; 60 VDC @ 0.5 A)

*Remove jumper SW01 to use this function

Figure 10 External Connection Board

Installation

3.3.6 Communication Interface Board (Option)

Use Class 1 wiring methods.

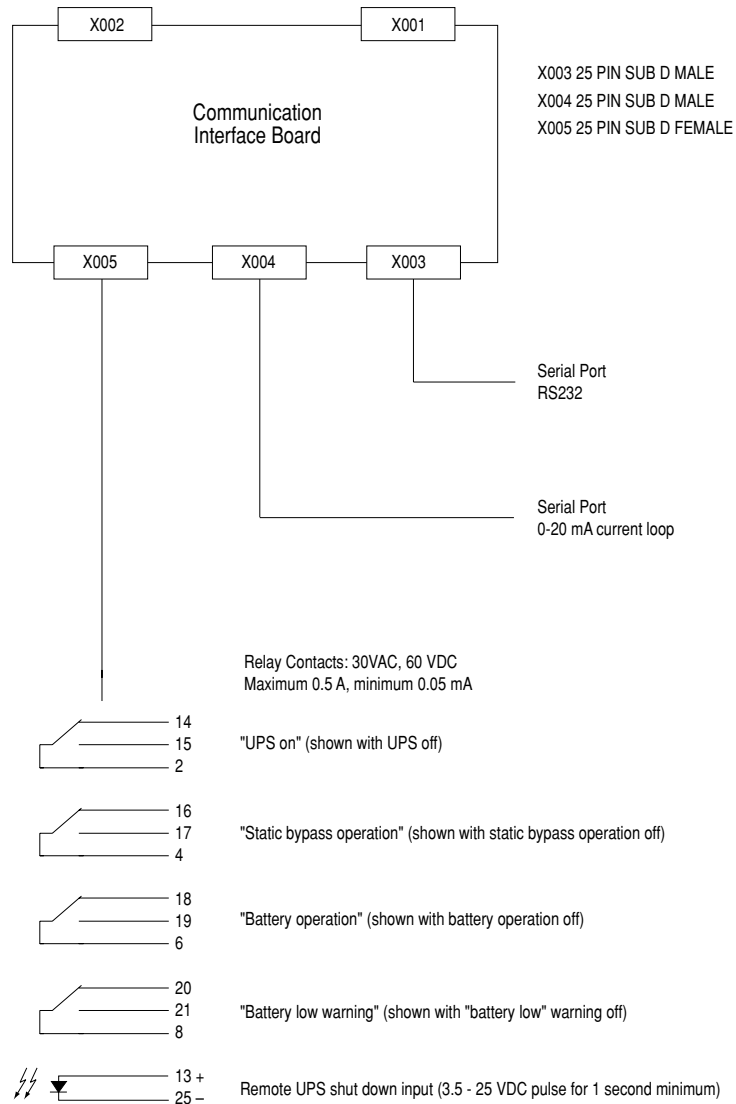


Figure 11 Communication Interface Board

3.4 Smart Slot and Connection of Triple Chassis

Connect the Triple Chassis to the serial ports on the Communication Interface Board, and to the 24V supply (power supply included). Terminal locations shown below.

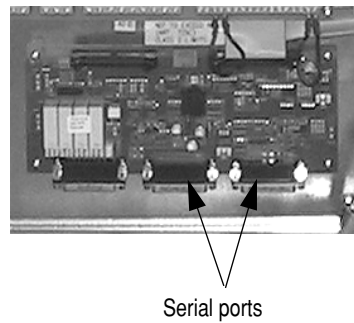


Figure 12 Communication Interface

Installation

3.5 APC BC300 Triple Chassis



Figure 13 Triple Chassis

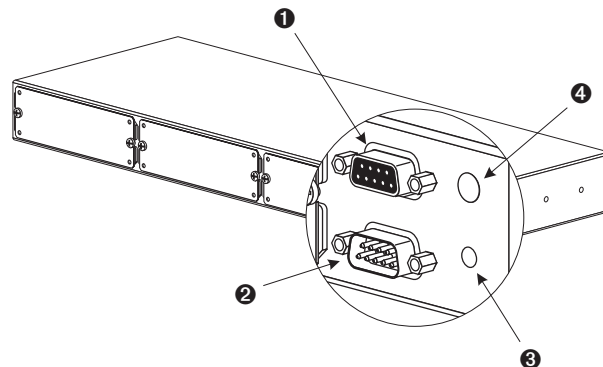
The APC BC300 Triple Chassis is an American Power Conversion (APC) external management product that allows you to use monitoring and control management products with your APC BC300 series UPS.

3.5.1 Safety Warnings

Use the APC BC300 Triple Chassis only with an APC BC300 UPS.

Do not connect a computer to any APC BC300 Triple Chassis port using a straight-through extension cable. Use the communications cable provided with the APC BC300 Triple Chassis. Connections using a cable made by any other manufacturer may cause damage or improper operation of the APC BC300 Triple Chassis, the UPS, or the computer.

3.5.2 Product Description



- | | |
|-------------------|-----------------------|
| 1 Monitoring port | 3 Status LED |
| 2 To UPS port | 4 Optional power port |

3.5.2.1 Monitoring Port

The Monitoring port has two functions:

- Connecting to a terminal for configuration of the chassis. For direct connection to the Monitoring port, you must use the monitoring cable supplied with the chassis.

990-1401

- Connecting to other APC external management products in a cascade series.

3.5.2.2 To UPS Port

The “To UPS” port connects the chassis to the UPS, using the BC300 UPS cable. The cable connector plugs into a communications port on an APC BC300 UPS.

3.5.2.3 LEDs

IF the LED is...	THEN the Silcon Triple Chassis...
off	is not receiving power.
flashing quickly (5 times per second)	has not been configured. See the Web/SNMP Management Card Installation Guide on the CD for more information.
flashing slowly (1 time per second)	is powered on but is not communicating with the UPS.
on	is operating normally.

3.5.2.4 Power Input

With the power input, you can power the APC BC300 Triple Chassis from an external source, using the 24 VDC power adapter.

3.5.3 Installing Management Products

There are two basic types of APC management products that work with the APC BC300 Triple Chassis:

- Management cards, which fit into external management products that are equipped with a card slot.
- External management products, which connect to the monitoring (or advanced) port of other external management products.

NOTICE!

The name “Monitoring” port varies from product to product, but its purpose is the same.

3.5.3.1 Order of Management Cards

Because UPS signals are passed between management products, you must install management cards in the correct order for them to work together properly. The card slots are numbered 1 to 3, from left to right, as viewed from the rear of the chassis. The following table lists the management cards, their priority, and proper position.

Management Card	Priority	Position
Web/SNMP Management Card	Highest	
Out-of-Band Management Card	Second-highest	
Interface Expander	Second lowest	
Environmental Monitoring Card	Lowest	

3.5.3.2 Installing Management Cards

To install management cards, perform the following steps.

Installation

- 1) Make sure that the chassis is powered off.
- 2) Install management cards into the housings on the rear of the chassis. See the instructions supplied with the cards and the table above.
- 3) If you are cascading other APC external management products to the APC BC300 Triple Chassis: Connect the UPS cable (supplied with the management card) to the monitoring port of the chassis and to the “To UPS” port of the other management products (Share-UPS, MasterSwitch, etc.). See “Cascading setup of the APC BC300 Triple Chassis”.
- 4) Power the APC BC300 Triple Chassis and all external management cards.

NOTICE!

If your configuration requires additional power, connect a 24V AC/DC power adapter available from APC for all models of Triple Chassis.

3.5.3.3 Cascading setup of the APC BC300 Triple Chassis

If you need more than the three card slots available with the APC BC300 Triple Chassis, or if you want to use other external management products, you can connect management products in a cascade series, provided that the total amperage of all installed management products — cards and external — does not exceed the supplied amperage. (See “Determining Power Requirements”).

NOTICE!

When cascading Triple Chassis units, you may need to use a power adapter.

To add card slots, you can cascade the APC BC300 Triple Chassis with the standard Triple Chassis management product, installing the APC BC300 Triple Chassis closer to the UPS.

3.5.4 Powering the APC BC300 Triple Chassis

The APC BC300 Triple Chassis supplies power to the installed management cards and to the Monitoring port, allowing you to power multiple management products.

3.5.4.1 Power Considerations

If the total current required by all the installed management products exceeds 500 mA, you must use a 24 VDC power adapter. To find out whether you need additional power see “Determining power requirements”.

3.5.4.2 Power Adapters

APC offers two different 24 VDC power adapters.

- The standard adapter can provide an additional 400 mA.
- The universal adapter can provide 850 mA.

3.5.4.3 Using a Power Adapter

Plug the adaptor into a protected power outlet and into the Optional Power port of the APC BC300 Triple Chassis.

NOTICE!

If the power adapter loses power because of a UPS shutdown, its attached management products may not operate properly, thus adversely affecting the UPS and its protected equipment.

3.5.4.4 Triple Chassis Power Considerations

The Triple Chassis receives its power from the UPS through the supplied 24 VDC universal adapter. The total current required by your management products must not exceed the 850 mA limit of the power adapter. See “Determining power requirements”.

3.5.4.5 Determining Power Requirements

To determine the total amount of current required by your management products, add the individual current requirements for each management product to be installed with the APC BC300 Triple Chassis to the current requirements of the chassis itself.

Management Product	Draw (mA)
Share-UPS 8-port Interface Expander	65
Expansion Chassis	30
Triple Chassis	20
APC BC300 Triple Chassis	90
Web/SNMP Management Card	110
Interface Expander	45
Out-of-Band Management Card	35
Environmental Monitoring Card	60
Isolated Extension Cable	50
Remote Power-Off Device	35

3.5.5 Troubleshooting

The following table shows the solutions to common problems with the operation of the Triple Chassis

Problem	Possible Cause	Solution
Status LED is off	The chassis is not receiving adequate power.	See “Powering the APC BC300 Triple Chassis”, and verify that you are not exceeding current requirements.
Status LED is flashing quickly	The chassis has not been configured.	Configure the Silcon Triple Chassis. See the Web/SNMP Management Card Installation Guide on the CD for more information.
Status LED is flashing slowly	The chassis is not communicating with the UPS.	Verify that the supplied UPS cable is properly connected to the Triple Chassis and to a communications port on the UPS.
Attached management product cannot identify UPS model or nominal output voltage.	The management firmware does not support 3-phase UPSs.	You may be able to upgrade the firmware of the management product. Call APC Customer Support.

3.5.5.1 If Problems Persist

For problems not covered in the troubleshooting chart or for persistent problems, follow this procedure:

Installation

- 1) Note the serial number and date of purchase of the APC BC300 Triple Chassis. Contact APC Customer Support at the phone number or address listed in How to Contact APC section of this manual.
- 2) Be prepared to provide a description of the problem. A technician will help solve the problem over the phone, if possible, or will give you a return material authorization (RMA) number.
- 3) If the APC BC300 Triple Chassis is under warranty, repairs are free of charge. If the warranty has expired, there will be a nominal charge for repair.
- 4) Pack the APC BC300 Triple Chassis carefully in its original packaging, if possible. Do not use polystyrene beads for packing. Damage sustained in transit is not covered under the warranty. Enclose a letter in the package with your name, address, RMA number, a copy of the sales receipt, daytime phone number, and payment (if applicable).
- 5) Mark the RMA number clearly on the outside of the shipping carton. The factory will not accept any materials without this marking.
- 6) Return the Triple Chassis by insured, prepaid carrier to the address given to you by APC Customer Support.

3.5.6 Product Specifications

3.5.6.1 Monitoring Port Pin Assignments

The Monitoring port is a 9-pin communications port. The port operates with no flow control at a rate of 2400 baud. The data format is 8 data bits with 1 start bit, 1 stop bit, and no parity. When the Triple Chassis operates with simple signalling, the following limitations and capabilities apply to the Monitoring port:

- Pins 3, 5, and 6 are open collector outputs which must be pulled up to a common referenced supply no greater than +40 VDC. The transistors are capable of a non-inductive load of 25 mA. Use only Pin 4 as the common.
- The output at Pin 2 generates a low-to-high RS-232 level when the device is signalling an On Battery condition. The pin is normally at a low RS-232 level.
- The UPS is signalled to shut down when a high RS-232 level is applied to Pin 1 for 4.5 seconds. Shutdown is also dependent on the UPS status.

When the Triple Chassis operates with advanced signaling, the following limitations and capabilities apply to the Monitoring port:

- Pin 7 is unassigned.
- DC operating voltage is available on Pin 8. This voltage may be from the UPS or from an external adapter.

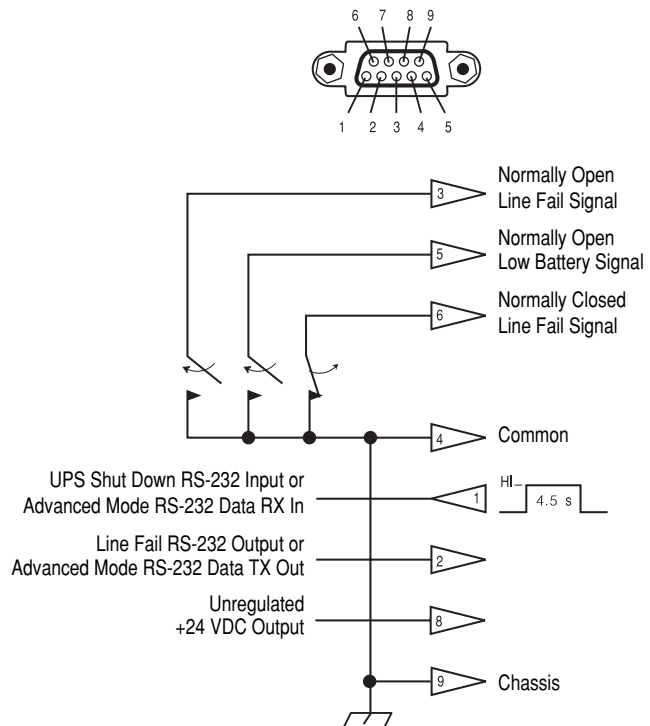


Figure 14 Monitoring Port Pin Assignment

Installation

3.5.6.2 Power, Physical, and Environmental Specifications.

Item	Specification
Power	
Turn on voltage:	> 22 VDC
Turn off voltage:	< 16 VDC
Current draw (normal operation):	90 mADC
Current draw (voltage < 16 VDC):	< 1 mADC
Physical	
Size (H xW x D):	44 x 432 x 127 mm (1.75 x 17.0 x 5.0 in)
Weight:	1.81 kg (4.02 lb)
Shipping weight:	3.65 kg (8.12 lb)
Environmental	
Elevation (above MSL): - Operating - Storage	0 to 3000 m (0 to 10,000 ft) 0 to 15 000 m (0 to 50,000 ft)
Temperature: - Operating - Storage	0 to 45°C (32 to 113°F) -20 to 70°C (-4 to 158°F)
Relative humidity: - Operating - Storage	0 to 95%, non-condensing 0 to 95%, non-condensing
Electromagnetic immunity:	FCC Class A EN50082-1 verified

3.6 Installation of External Batteries and Battery Breaker

Some units are connected to optional external batteries in a separate cabinet or rack. External batteries must be installed and connected to the UPS by an authorized service personnel familiar with UPS battery installations and applicable building and electrical codes.



3.6.1 Battery Installation

WARNING

Full voltage and current are always present at the battery terminals. The batteries used in this system can produce dangerous voltages, extremely high currents, and may cause a risk of electric shock. They may cause severe injury if the terminals are shorted together or to ground (earth). You must be extremely careful to avoid electric shock and burns caused by contacting battery terminals or shorting terminals during battery installation. Do not touch uninsulated battery terminals.

Only authorized service personnel familiar with battery systems and required precautions may install and service the batteries. The installation must conform to national and local codes. Keep unauthorized personnel away from batteries.

990-1401



CAUTION!

Qualified service personnel must take these precautions:

1. Wear protective clothing, such as rubber gloves and boots and protective eye wear. Batteries contain caustic acids and toxic materials and can rupture or leak if mistreated. Remove rings, metal wristwatches, other metal objects and jewellery. Do not carry metal objects in your pockets where the objects can fall into the battery cabinet.
2. Tools must have insulated handles and must be insulated so that they will not short battery terminals. Do not allow a tool to short between individual or separate battery terminals or to the cabinet or rack. Do not lay tools or metal parts on top of the batteries, and do not lay them where they could fall onto the batteries or into the cabinet.
3. Install the batteries as shown on the drawing provided with the batteries. When connecting cables, never allow a cable to short across a battery's terminals, the string of batteries, or to the cabinet or rack.
4. Align the cables on the battery terminals so that the cable lug will not contact any part of the cabinet or rack, even if the battery is moved. Keep the cable away from any sharp metal edges.
5. Install the battery cables so they cannot be pinched by the UPS or battery cabinet doors.
6. Do not connect the battery terminal to ground (earth). If any battery terminal is inadvertently grounded, remove the source of the ground. Contacting any part of a grounded battery can cause a risk of electric shock.
7. To reduce the risk of fire or electric shock, install the batteries in a temperature and humidity controlled indoor area, free of conductive contaminants.
8. Battery system chassis ground (earth) must be connected to the UPS chassis ground (earth). If you use conduit, this ground conductor must be routed in the same conduit as the battery conductors.
9. Where conductors may be exposed to physical damage, protect the conductors in accordance with all applicable codes.
10. If you are replacing batteries or repairing battery connections, shut off the UPS and remove both AC and DC power.

Battery Installation Guidelines:

- Refer to any instructions provided with the batteries, battery breaker and pre-charge/discharge switch.
- External batteries require a fused disconnect or a DC battery breaker. There should be a disconnecting means for each battery string. The external battery fuse protects the battery cables. Size the cables based on the over-current protection device.
- The battery cables must be sized for a total maximum voltage drop of 2.0 VDC at the rated DC current.
- Wherever conductors may be exposed to physical damage, protect the conductors in accordance with any applicable codes. This includes battery cables between the UPS and the battery system and cables between battery cabinets or racks.
- APC recommends the routing of battery cables through flexible conduits. Install flexible conduits for battery cables according to local or national codes.
- The battery system ground (earth) must be connected to the UPS chassis ground (earth). This ground conductor must be routed with the battery cables.

Installation

- Clean cables and battery terminals before making the battery connections. Apply a thin coating of conductive grease before making the battery connections, or, after connection, apply petroleum jelly to the entire connection.
- Torque battery connections to the battery manufacturer's specifications.

Follow below battery system guidelines and any instructions shipped with the battery system:

1. Verify that the DC fuses are removed from the UPS. See *Component Overview* illustration for the location of the DC fuse holder.
2. Install the ground conductor. See *Wiring Termination* illustration for the location of the grounding electrode terminals in the UPS.
3. Connect the cables **between batteries**.
 - a. In each battery string, connect the cables between batteries as shown in the battery installation diagram provided with the batteries.
 - b. Meter the positive (+) and negative (-) terminal on each battery string to verify proper nominal voltage and polarity.
4. Connect the battery cables **between battery strings**.
 - a. Connect the negative (-) cables between battery strings as shown in the battery installation diagram provided with the batteries.
 - b. Meter the DC voltage between the positive terminals of the strings. The voltage should measure less than 5 volts. If it exceeds 5 volts, correct any wiring errors before you continue.
 - c. Connect the positive (+) cables between battery strings as shown in the battery installation diagram provided with the batteries.
5. Install the battery breaker and pre-charge/discharge switch. Refer to any instructions provided with the battery breaker and pre-charge/discharge switch.
6. Connect the external batteries to the UPS.
 - a. Connect the positive (+) cable(s) to the UPS first. Install ring connectors for 8 mm (approx. 5/16") bolts as required.
 - b. To prevent short circuits, insulate the UPS end of the negative (-) cable(s).

CAUTION!

Do not connect the negative (-) cables to the UPS yet.



- c. Connect the positive (+) cable(s) to the battery system and tighten to the proper torque specifications.
 - d. Connect the negative (S) cable(s) to the battery system and tighten to the proper torque specifications.
7. Check the DC voltage.
 - a. Connect the DC fuse(s) as shown in the battery installation diagram provided with the batteries. Verify proper voltage (216 VDC) and polarity at the battery pack.
 - b. Set the battery breaker to "ON".
 - c. Meter for proper nominal DC voltage at the UPS end of the cables. Make sure the polarity agrees with the markings on the UPS battery input terminals.
 - d. After checking the DC voltage, set the battery breaker to "OFF".
 8. Connect the negative (-) cable(s) to the UPS. Tighten to the proper torque specifications.
 9. Replace all covers.
 10. Continue with the "Initial Start-up and Phase Check" section in this Installation Guide.

990-1401

3.6.2 Battery Replacement

Only authorized service personnel familiar with battery systems may replace batteries. See the “Start-up & Shutdown Procedure” section in this Installation Guide to bypass and shut down the UPS.

**CAUTION!**

Study all warnings at the beginning of this section before replacing the batteries.

- **Use the Same Battery Number and Type:** To ensure a well-functioning UPS and to maintain proper battery charger operation, you must replace a given number of batteries with the same number of batteries. The batteries must be the same manufacturer type as the original batteries and have the same voltage and ampere-hour rating as the original batteries.
- **Verify that the Battery Terminal is not Grounded:** If any battery terminal is inadvertently grounded, you must remove the connection from the terminal to ground (earth) before you service the batteries. Contacting any part of a grounded battery can cause a risk of electric shock. To reduce the risk of electric shocks, disconnect the ground connection before you service the batteries.
- **Handle Used Batteries with Care:** Assume that old batteries are fully charged. Use the same precautions you would use when handling a new battery. Do not short battery terminals or the battery string with a cable or tool when you disconnect the batteries.
- **Dispose of Batteries Properly:** Do not dispose of batteries in a fire as the batteries may explode. Do not open or mutilate batteries. Released electrolyte is harmful to the skin and eyes and may be toxic. Batteries contain lead. Many state and local governments have regulations about disposing of used batteries. For assistance, call APC Technical Support or call your local APC office.

Initial Start-up and Phase Check

4.0 Initial Start-up and Phase Check

After installing the unit, use this section to perform the initial start-up and the phase check for the Maintenance Bypass Panel.

4.1 Initial Start-up and Phase Check (External Batteries)




1. Ensure that the external battery breaker for the battery system is set to “OFF”.
2. Turn the pre-charge/discharge switch to the “pre-charge” position and hold it until the LED turns off.
3. Switch the battery breaker “ON”. The UPS display should show “System type xxkVA xxxV”.
4. Within 20 seconds, the display should show ****Stand-by**** and an audible alarm should sound.
5. At utility input, switch on the input power to the Maintenance Bypass Panel.
6. At the Maintenance Bypass Panel, switch the UPS AC disconnect switch “ON”.
7. Check the phase rotation at the service panel and the unit. The unit will not start if the phase rotation is incorrect. **The phase rotation must be A, B, C and clockwise.**
8. When the audible alarm stops, press the green “ON” button located inside the UPS front door. The display will show “Normal operation load power xx%”.

NOTICE!

One or more alarms may occur. If the alarm(s) persists for more than 20 seconds, refer to the “Alarms” section of the User Guide. If the unit activates a “battery monitor alarm”, you should set the user parameter “battery monitor reset” to “ON”.

5.0 Clearing the Events Log

The events log contains the 250 most recent UPS events, including alarms. To clear the events log, follow the steps below:

1. Press  and  at the same time. The display should show “Key in password”.
2. Using the key pad, enter “920701”. The display should show “Logging stack is reset”. The events log is now cleared.
3. Press . The display should show “Normal operation load power xx%”.
If the unit will not be in operation immediately, go to the “Start-up and Shutdown Procedure” section.

Start-up and Shutdown Procedure

6.0 Start-up and Shutdown Procedure

6.1 Start-up from Maintenance Bypass









This section contains instructions on how to start the UPS from maintenance bypass. The steps in this procedure apply to units with an APC-supplied Maintenance Bypass Panel.

1. Make sure that the following switches are in the following positions:

The UPS AC disconnect switch should be “OFF”.

The UPS bypass switch should be on “LINE”.

The battery breaker should be “OFF”.

2. Switch the UPS AC disconnect switch “ON”. The UPS display should show “System type xxkVA xxxV”.
3. Within 20 seconds, the UPS display should show ****Stand-by**** and an audible alarm should sound.
4. Ensure that the external battery breaker for the battery system is set to “OFF”.
5. Turn the pre-charge/discharge switch to the “pre-charge” position and keep it in this position until the LED turns off.
6. Switch the battery breaker “ON”.
7. Press the green “ON” button located inside the front door of the UPS. The UPS display should show “Normal operation load power xx%”.
8. Program the unit into static bypass operation:
 - a. Press  to access the user parameters.
 - b. Press the  or  key until the display shows “Bypass operation: OFF”.
 - c. Press  to turn static bypass operation on. The display should show “Bypass operation”.
9. Set the UPS bypass switch to “UPS”.
10. Program the unit to normal operation:
 - a. Press  to access the user parameters.
 - b. Press the  or  key until the display shows “Bypass operation: ON”.
 - c. Press  to turn static bypass operation off. The display should show “Normal operation load power xx%”.

6.2 Shutdown Procedure

WARNING

After shutting down the unit, **wait at least five minutes** before removing any access panels or covers. Access panels should be removed by **authorized service personnel** only. After the UPS has been shut down, the unit may still contain high voltages.

TEST BEFORE YOU TOUCH!





Before continuing, read the warnings on the inside front cover of this manual.

Start-up and Shutdown Procedure

This section contains information on how to shut down the UPS from normal operation mode. This procedure applies to units with an APC-supplied Maintenance Bypass Panel.

1. **If you have shut the loads down:** Move on to step 2.

If the loads are to remain powered: Program the unit into static bypass operation:

- a. Press  to access the user parameters.
 - b. Press the  or  key until the display shows “Bypass operation: OFF”.
 - c. Press  to turn static bypass operation on. The display should show “Bypass operation”.
 - d. Set the UPS bypass switch to “BYPASS”.
2. Press the red “OFF” button located inside the UPS front door.
 3. Set the UPS AC disconnect switch to “OFF”.
 4. Switch the battery breaker “OFF”.
 5. Hold the pre-charge/discharge switch in the “discharge” position until the LED turns off.

To restart the unit, see the section “Start-up from Maintenance Bypass” above.
6. (Optional) If the loads are **not** to be powered, turn off all AC power sources to the UPS and Maintenance Bypass Panel.

Technical Specifications

7.0 Technical Specifications

7.1 APC BC300 Series 40 kW Technical Data

	Voltage	3 x 208Y/120 or 208V Delta	450V Delta	3 x 480Y/277
Input	Rated input current	146Amps	75 Amps	63Amps
	Voltage tolerance			
	- Utility	+10 / -15	+10 / -15	+10 / -15
	- Bypass	+/- 10	+/- 10	+/- 10
	Frequency	60Hz +/- 6% (standard)	60Hz +/- 6% (standard)	60Hz +/- 6% (standard)
	Current distortion	0-5% THD	0-5% THD	0-5% THD
Bypass tolerance	+/- 10%	+/- 10%	+/- 10%	
Output	Voltage	3 x 208Y/120	3 x 450Y/277 or 3 x 450 Delta	3 x 480Y/277 or 3x 480 Delta
	Voltage tolerance			
	- Static symmetrical load	+/- 1	+/- 1	+/- 1
	- Static asymmetrical load	+/- 3	+/- 3	+/- 3
	- Load step	+/- 5	+/- 5	+/- 5
	Voltage distortion	0 - 3% (linear load)	0 - 3% (linear load)	0 - 3% (linear load)
	Frequency	60Hz	60Hz	60Hz
	- Utility synchronized	+/- 6%	+/- 6%	+/- 6%
	- Free-running	+/- 0.1%	+/- 0.1%	+/- 0.1%
	Overload capacity			
- Utility operation 60 seconds	250%	250%	250%	
- Utility operation 10 minutes	150%	150%	150%	
- Battery operation 60 seconds	150%	150%	150%	
- Battery operation 10 minutes	125%	125%	125%	
Rated output current	111 Amps	51 Amps	48 Amps	
General	Temperature			
	Ambient	32 - 104 ° F	32 - 104 ° F	32 - 104 ° F
	Ideal	77 ° F	77 ° F	77 ° F
	Humidity (non condensing)	Max 95%	Max 95%	Max 95%
	Audible Noise (typical)	<65 dBa	<65 dBa	<65 dBa
	Efficiency			
	AC to AC normal operation	95%	95%	95%
	AC to AC economy mode	97%	97%	97%
	Heat dissipation - kW (BTU)			
	Full rated load normal operation	2.11 (7185)	2.11 (7185)	2.11 (7185)
Full rated load economy mode	1.67 (5688)	1.67 (5688)	1.67 (5688)	
0.8 PF load, normal operation	1.68 (5748)	1.68 (5748)	1.68 (5748)	
0.8 PF load, economy mode	1.33 (4551)	1.33 (4551)	1.33 (4551)	

990-1401

7.2 Battery Specifications

	40kW
Nominal DC current - Amps	200
UL rating of terminal blocks - AWG ^a	14 - 2/0
Nominal DC voltage	216
Nominal number of cells	108
Factory-set float charge voltage ^b	246
Charger current limit - Amps ^c	20
Inverter efficiency -%	
100% load	91
75% load	91
50% load	89
25% load	86

a.Terminal block has two positive and two negative 8 mm (=5/16") studs, hardware provided. Lug required.

Conductor size may vary based on installation requirements. Size all conductors per applicable codes.

b.Adjust the float charge voltage setting according to the battery manufacturer's recommendations.

c.Programmable to lower level.

7.3 Dimensions/Weight

BC300 Series UPS	40kW
Height	59.1 inches
Width	39.4 inches
Depth	31.7 inches
Weight	1798 lbs

How to Contact APC

8.0 How to Contact APC



APC Corporate
132 Fairgrounds Road
West Kingston, RI 02892
USA

Tel.: +1 401 789-5735

Fax: +1 401 789-3710

Pre-sales Technical Support
+1 877-474-5266

Post-sales Technical Support
+1 877-287-7835

Web: www.apc.com/support

Free Manuals Download Website

<http://myh66.com>

<http://usermanuals.us>

<http://www.somanuals.com>

<http://www.4manuals.cc>

<http://www.manual-lib.com>

<http://www.404manual.com>

<http://www.luxmanual.com>

<http://aubethermostatmanual.com>

Golf course search by state

<http://golfingnear.com>

Email search by domain

<http://emailbydomain.com>

Auto manuals search

<http://auto.somanuals.com>

TV manuals search

<http://tv.somanuals.com>