

# NetBotz<sup>®</sup> Smoke Sensor (NBES0307) Installation Instructions

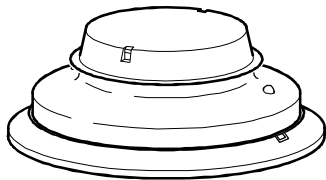


**WARNING:** The NetBotz Smoke Sensor is intended to provide supplementary protection for equipment in data center racks and enclosures only. It is not to be used to protect structures or personnel.

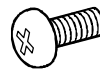


This Smoke Sensor includes a System Sensor<sup>®</sup> model 4W-B, I3 Series, Photoelectric Smoke Detector. For complete safety, installation, operation, and maintenance information, refer to the I3 Series Installation and Maintenance Instructions on the System Sensor Web site, [www.systemsensor.com](http://www.systemsensor.com).

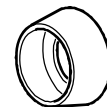
## Inventory



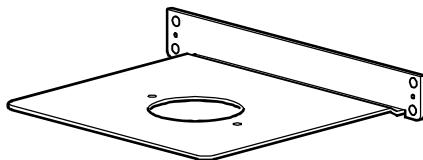
Smoke sensor with 3.05-m (10-ft) cable (1)



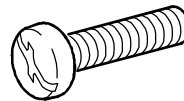
❶ M4 x 8 pan head screw (2)



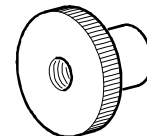
❷ M6 black plastic cup washer (2)



Smoke sensor bracket (1)



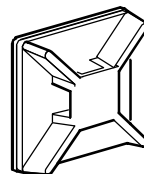
❸ M6 x 16 Phillips slot screw (2)



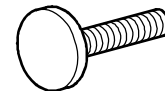
❹ M3 knurled thumb nut (2)



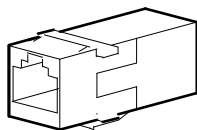
203-mm (8-in) tie wrap (10)



Adhesive cable tie holder (5)



❺ M3 x 12 stud fastener (2)



RJ-45 coupling (1)

# Installation



**Caution:** Make sure you connect this sensor to a **Sensor** port on applicable NetBotz products. See your NetBotz product documentation for details.

**Caution:** Make sure you remove the orange protective cover shown in step three.

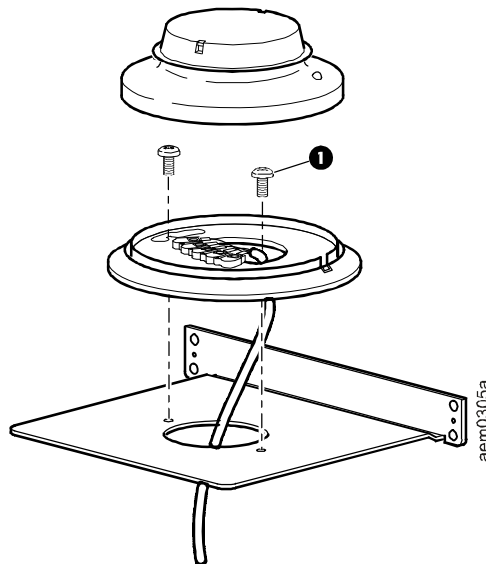


**Note:** Smoke detection is best when you install the sensor near the top of the enclosure. The sensor occupies one U-space.

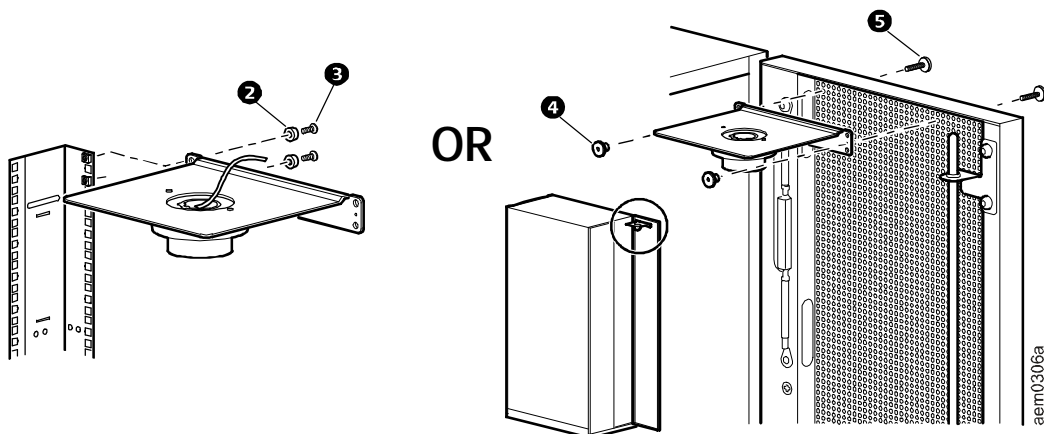
**Note:** You can extend the length of the sensor cable up to 30.5 m (100 ft) using the RJ-45 coupling and standard CAT-5 cabling.

**Note:** Use adhesive cable tie holders and tie wraps to secure the sensor cable.

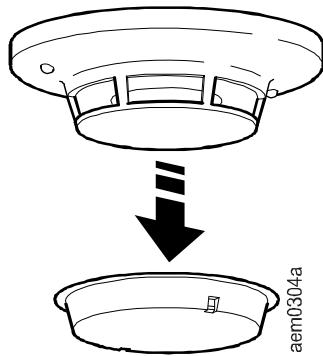
1



2



3



## Operation

The Smoke Sensor LEDs function as follows:

- Both LEDs will blink simultaneously once every ten seconds during the power-up sequence.
- The green LED will blink once every five seconds to indicate normal operation.
- The red LED will blink once every five seconds to indicate that the Smoke Sensor is out of sensitivity.
- The red LED will turn on when the Smoke Sensor reports an alarm state.



Customer support and warranty information is available at the APC Web site, [www.apc.com](http://www.apc.com).

© 2009 American Power Conversion. All rights reserved. All APC trademarks are property of American Power Conversion. Other trademarks are property of their respective owners.

**990-3377A**  
**01/2009**



## Free Manuals Download Website

<http://myh66.com>

<http://usermanuals.us>

<http://www.somanuals.com>

<http://www.4manuals.cc>

<http://www.manual-lib.com>

<http://www.404manual.com>

<http://www.luxmanual.com>

<http://aubethermostatmanual.com>

Golf course search by state

<http://golfingnear.com>

Email search by domain

<http://emailbydomain.com>

Auto manuals search

<http://auto.somanuals.com>

TV manuals search

<http://tv.somanuals.com>