



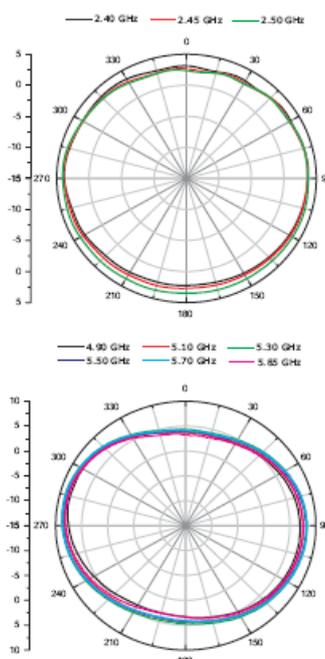
# APM CO., LTD

## AGP-250407A

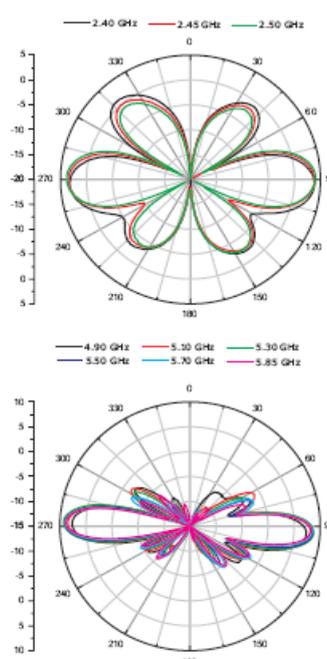
### 4/7dBi High Gain Omni Antenna for 2.4GHz & 5GHz



H-Plane Co-Polarization Patterns



V-Plane Co-Polarization Patterns



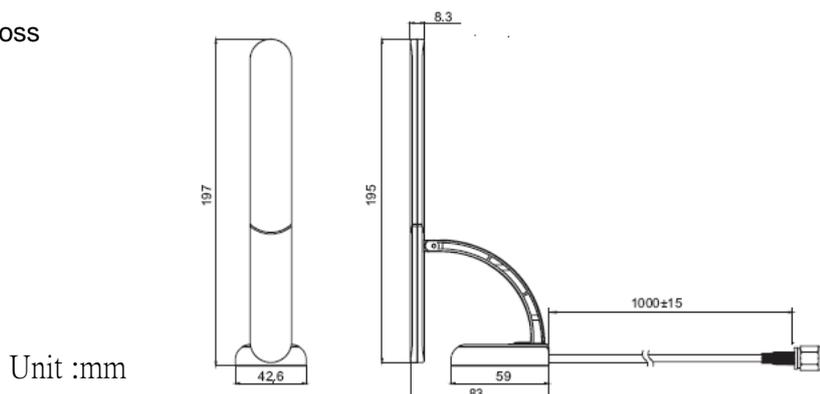
#### Electrical Specification

Frequency Range:	2.4~2.5 ; 4.9~5.85 (GHz)
Peak Gain*:	4 ; 7 (dBi)
VSWR:	1.92:1 max.
HPBW /H:	360° ; 360°
HPBW /V:	30° ; 17°
Impedance:	50 ohm
Polarization:	Linear; Vertical
Power Handling:	1W
Connector:	RP SMA Plug
Cable :	CBL-101(Black); L: 1m

#### Mechanical Specification

Operating Temperature:	-10° C~60° C
Storage Temperature:	-10° C~70° C
Humidity:	95% RH
Radome Material:	ABS+PC
Color:	White / Blue
Dimensions:	L83 x W43 x H197
Weight:	150 gf
Mounting Function:	Weight Stand. Wall Mount. Magnet Mount.

\* Excluding cable loss



## Free Manuals Download Website

<http://myh66.com>

<http://usermanuals.us>

<http://www.somanuals.com>

<http://www.4manuals.cc>

<http://www.manual-lib.com>

<http://www.404manual.com>

<http://www.luxmanual.com>

<http://aubethermostatmanual.com>

Golf course search by state

<http://golfingnear.com>

Email search by domain

<http://emailbydomain.com>

Auto manuals search

<http://auto.somanuals.com>

TV manuals search

<http://tv.somanuals.com>