



FD Series

FD5000 FD6000

Installation Manual

INTRODUCTION

Thank you for choosing **ARC Audio's Foose Designs** line of hi-performance mobile audio products. We hope you enjoy your experience with all our products and we welcome any questions or comments you may have.

Specifications

FD5000		FD6000	
Diameter	5 ¼"	Diameter	6 ½"
Musical Power	140 watts	Musical Power	175 watts
Nor. Power	75 watts	Nor. Power	90 watts
Sensitivity	87db	Sensitivity	87db
Frequency response	70hz-20Khz	Frequency response	60hz-20Khz
IMP.	4 Ohm	IMP.	4 Ohm
Protection	PTC	Protection	PTC

Most speaker damage occurs as a result of amplifier distortion also known as "Clipping". Clipping occurs when an amp is driven beyond its maximum rated output. This kind of distortion can be hard to hear unless you know what to listen for. Any time you hear a harsh ear piercing sound at hi volume your amp is probably clipping.

1

CAUTION:

Please check the suitability of the installation location before you begin. **Do not cut any of the car's structure.** Pay attention to the mechanism of the window and door.

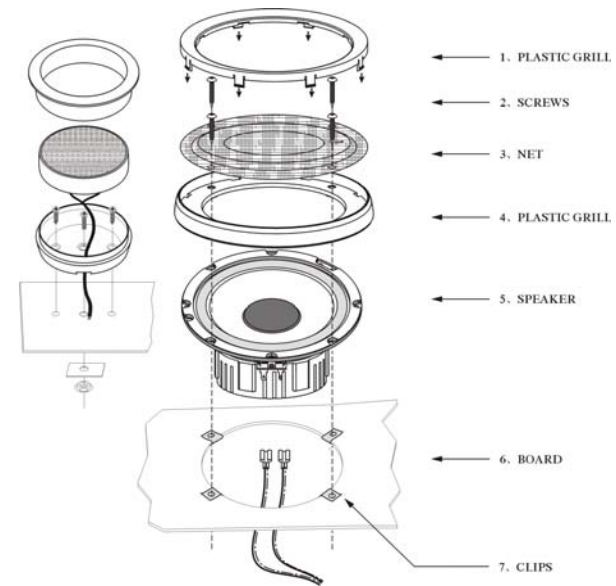
If you do not have experience with automotive electrical and mechanical systems contact a professional installer. Paying a qualified installer is almost always cheaper than paying a dealership to repair your car.

THE INSTALL

Install the Woofer

After you have found the best location for the woofer make or enlarge the mounting hole. Make sure the opening is just large enough for the woofer to fit tightly with no gaps. Make sure the surface is flat and that the speaker does not bind up in the opening. Use an awl or felt pen to mark the panel and drill the screw holes without the speaker in place. This will save the costly mistake of punching a hole in one of your new speakers. Install the woofer with the grill ring using the 4 screws provided with this system. Firmly seat the grill into its ring.

2



Remove the grill from the trim ring first then follow the steps below installation.

1. Place the speaker in the opening with the trim ring over it.
2. Screw the trim ring through the panel with the clips beneath.
3. Install the grill into the trim ring. Add a few drops of glue if necessary.
4. Snap in the finish ring.

3

Install the Tweeter

The tweeter comes with 2 different types of mounts. Flush mount and Surface mount.

Flush Mount

Cut a hole in the panel you wish to install in. Assemble the tweeter in the mount. Make sure the hole is large enough for the tweeter and install it through the hole. Firmly install the retainer to the back of the tweeter. Reinstall the panel and point the tweeter at a location between the driver and passenger at ear level.

Surface Mount

Hold the back piece for the mount in place and mark the screw locations. Pre drill the screw holes and the hole for the wire. Screw the mount to the panel tightly. Run the wire through the hole and gently pull it until the tweeter is fully seated in the mount. Install the retainer and point the tweeter.

Crossovers

Install the Crossover in a dry location and secure it firmly. Don't just drop it in the bottom of the door.

Wiring

When wiring this system it is important to make all connections carefully and securely. Follow the instructions carefully. All audio connections have a + and -. If one is wired backward the system will play but will sound strange. One speaker will play Out of Phase (backwards) from the others. You may notice a loss of bass response and the vocals will not be in the center of the sound field.

Connect the Woofer

Using the wire provided with the system connect the positive and negative to the woofer. Run these wires to the crossover and connect them to the terminals marked Woofer + and -.

Connect the Tweeter

Connect the positive and negative to the tweeter. Run these wires to the crossover and connect them to the terminals marked Tweeter + and -.

Connect the Amp

Connect the positive and negative to the amplifier output. Run these wires to the crossover and connect them to the terminals marked Input +and-.

A Few Do's and Don'ts

- Always use the crossovers. To leave the crossover out will result in almost certain damage to the component speakers.
- Care must be taken not to mix the tweeter and woofer connections. The system will not work and may be damaged.
- Do not add more speakers to the crossover. The crossover is designed for the speakers provided only.

If you have any Question about this product please call ARC Audio Technical Service:

209-543-8706

LIMITED WARRANTY

Before shipping this product back for service call for a Return Authorization number. This number must be clearly marked on the outside of the box.

Terms & Conditions: ARC Audio warrants the unit to be free of any material defects or defects in workmanship for a period of one year and will repair this unit or any part thereof only if it proves to be defective as a result of normal use. In order to receive warranty service on this product, the owner must promptly register by filling in and mailing the Warranty Registration Card.

Our obligation under this warranty is limited to repairing only the defective components of the unit thereof when it is returned, shipping prepaid, to ARC Audio.

This warranty is to be considered void if the unit has been tampered with, connected contrary to the installation instructions in the owner's manual, altered, damaged by improper input voltages or polarity, defaced, or treated in a negligent manner.

All returns must be sent freight prepaid, along with \$10.00 to cover return shipping and handling.

Out of warranty service is available after the warranty expires. Cost of repair is based on current repair labor rates, plus the cost of shipping and handling. When returning for repair, pack the unit securely and send prepaid and insured to the address below. ARC Audio is not responsible for damage incurred during shipping.

For warranty and non-warranty repairs, send to:

**ARC Audio
4719 Green Leaf Cr. #4
Modesto CA, 95356**



Free Manuals Download Website

<http://myh66.com>

<http://usermanuals.us>

<http://www.somanuals.com>

<http://www.4manuals.cc>

<http://www.manual-lib.com>

<http://www.404manual.com>

<http://www.luxmanual.com>

<http://aubethermostatmanual.com>

Golf course search by state

<http://golfingnear.com>

Email search by domain

<http://emailbydomain.com>

Auto manuals search

<http://auto.somanuals.com>

TV manuals search

<http://tv.somanuals.com>