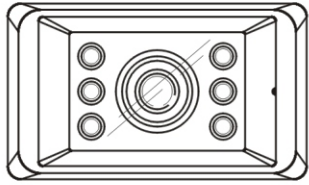


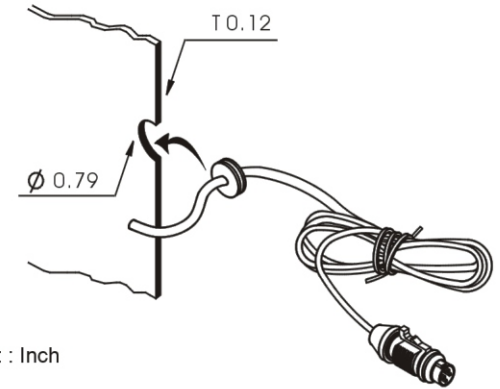
Voyager®

NTSC SYSTEM VCCS130HP



- VCCS130HP Features:
- Uses Advanced CCD technology
 - Compact / Lightweight Aluminum Die Cast Body
 - Waterproof Design
 - Microphone
 - Normal / Mirror Image switch
 - Adjustable Mounting Angle
 - Wide Angle Lens
 - Aluminum Bracket and SS. Hardware included
 - Enhanced IR LED Low Light Enhancement
 - Excellent clear Image at a Dark Circumstance
 - Zero Lux Sensitivity

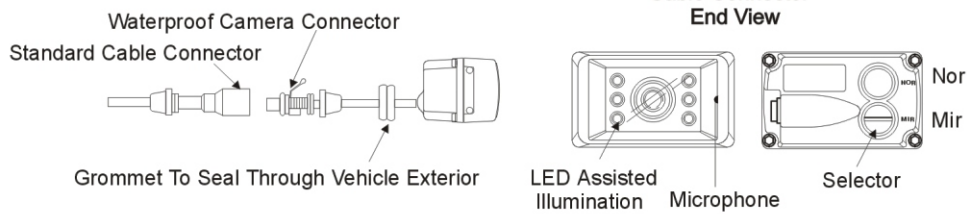
Recommended grommet Hole & Mtg. thickness



Unit : Inch

Contents: Camera Bracket Hardware Kit

Installation and Pin Out:



Camera to bracket hardware

Specifications	Q'ty
Hex Socket Head M4X10L Stainless screws	4
Spring Washers 4X7X1.2mm Stainless	4
Flat Washers 4x10x.5mm Stainless	4
Allen wrench	1

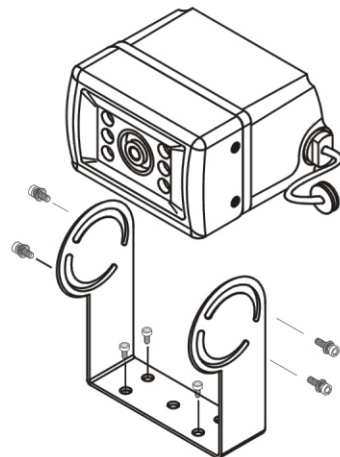
Bracket to vehicle hardware

Specifications	Q'ty
Tapping P/H W/Washer 5X16mm Stainless screws	4
Machine Screw T/H M5X16mm Stainless	4
Locking nuts M5 stainless	4

Installation

Screw For Use

- Hex Socket Head M4X10L Stainless screws
- Spring Washers 4X7X1.2mm Stainless
- Flat Washers 4x10x.5mm Stainless
- Allen wrench
- Tapping P/H W/Washer 5X16mm Stainless screws
- Machine Screw T/H M5X16mm Stainless
- Locking nuts M5 stainless

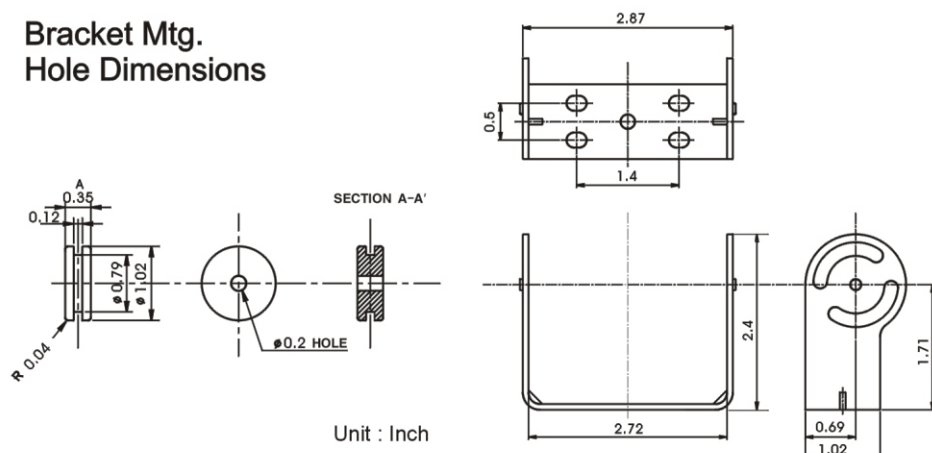


Specifications

- Signal System : NTSC
- Image Sensor : 1/3" SONY-HAD Color CCD W/electronic auto-iris
270K pixels
- Viewing Angle : 104°(H), 78°(V)
- Outer Dimensions : 68 (W) X 40 (H) X 64 (D) mm
2.7 (W) X 1.6 (H) X 2.6 (D) Inch
- Weight : 0.3kg/ 0.6lbs

* Specifications are subject to change without notice.

Bracket Mtg. Hole Dimensions

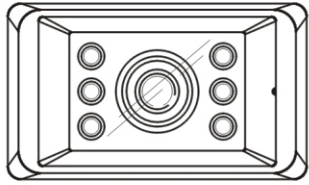


Unit : Inch

ASA
AUDIOVOX SPECIALIZED APPLICATIONS, L.L.C.
www.asaelectronics.com

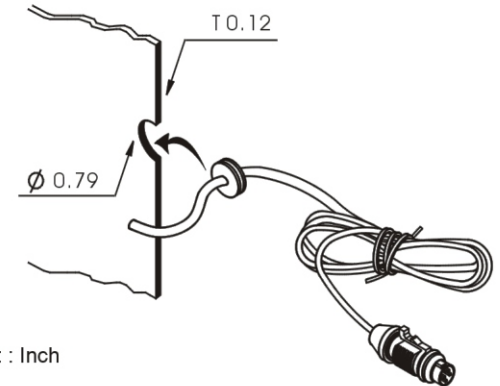
Voyager®

NTSC SYSTEM VCCS130XP



- VCCS130XP Features:
- Uses State of the Art CCD technology
 - Compact / Lightweight Aluminum Die Cast Body
 - Waterproof Design
 - Microphone
 - Normal / Mirror Image switch
 - Adjustable Mounting Angle
 - Wide Angle Lens
 - Aluminum Bracket and SS. Hardware included
 - Enhanced IR LED Low Light Enhancement
 - Excellent clear Image at a Dark Circumstance
 - Zero Lux Sensitivity

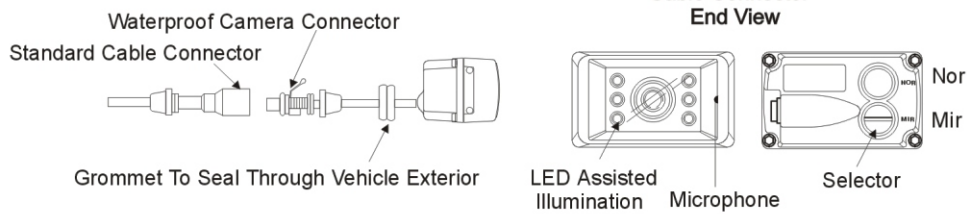
Recommended grommet Hole & Mtg. thickness



Unit : Inch

Contents: Camera Bracket Hardware Kit

Installation and Pin Out:



Camera to bracket hardware

Specifications	Q'ty
 Hex Socket Head M4X10L Stainless screws	4
 Spring Washers 4X7X1.2mm Stainless	4
 Flat Washers 4x10x.5mm Stainless	4
 Allen wrench	1

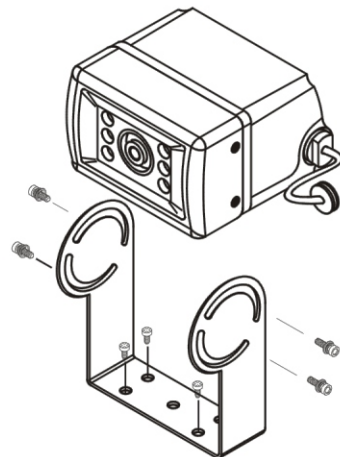
Bracket to vehicle hardware

Specifications	Q'ty
 Tapping P/H W/Washer 5X16mm Stainless screws	4
 Machine Screw T/H M5X16mm Stainless	4
 Locking nuts M5 stainless	4

Installation

Screw For Use

- Hex Socket Head M4X10L Stainless screws
- Spring Washers 4X7X1.2mm Stainless
- Flat Washers 4x10x.5mm Stainless
- Allen wrench
- Tapping P/H W/Washer 5X16mm Stainless screws
- Machine Screw T/H M5X16mm Stainless
- Locking nuts M5 stainless

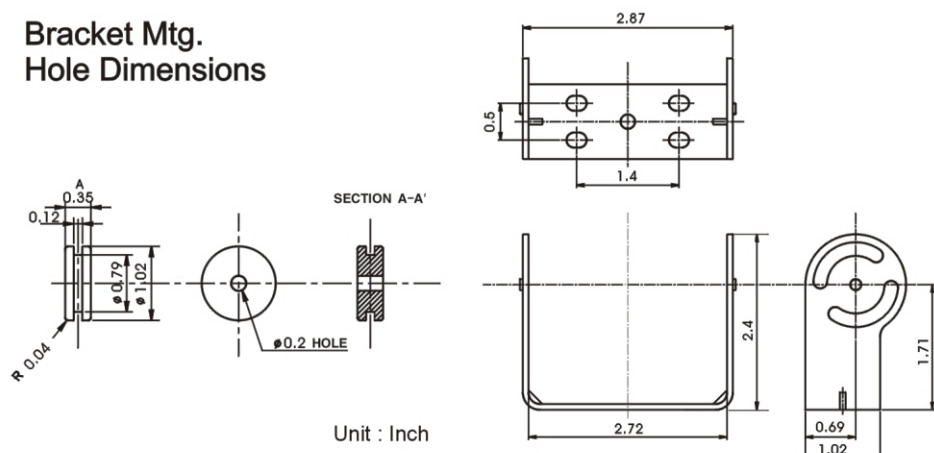


Specifications

- Signal System : NTSC
- Image Sensor : 1/3" SONY-Ex-View Color CCD W/electronic auto-iris
270K pixels
- Viewing Angle : 104°(H), 78°(V)
- Outer Dimensions : 68 (W) X 40 (H) X 64 (D) mm
2.7 (W) X 1.6 (H) X 2.6 (D) Inch
- Weight : 0.3kg/ 0.6lbs

* Specifications are subject to change without notice.

Bracket Mtg. Hole Dimensions



Unit : Inch

ASA
AUDIOVOX SPECIALIZED APPLICATIONS, L.L.C.
www.asaelectronics.com

Free Manuals Download Website

<http://myh66.com>

<http://usermanuals.us>

<http://www.somanuals.com>

<http://www.4manuals.cc>

<http://www.manual-lib.com>

<http://www.404manual.com>

<http://www.luxmanual.com>

<http://aubethermostatmanual.com>

Golf course search by state

<http://golfingnear.com>

Email search by domain

<http://emailbydomain.com>

Auto manuals search

<http://auto.somanuals.com>

TV manuals search

<http://tv.somanuals.com>