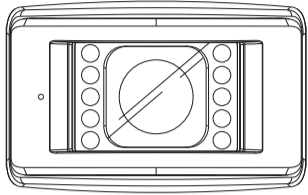


# Voyager®

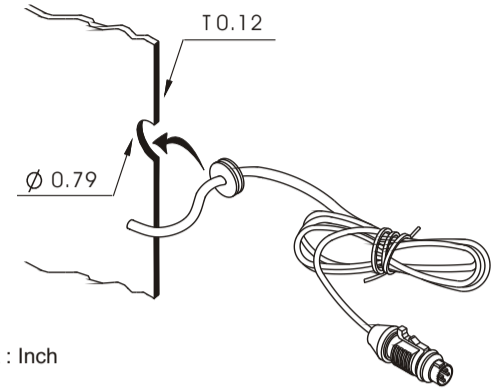
## NTSC SYSTEM VCCS150B



### VCCS150B Features:

- High Resolution, 1/3" CCD Color Camera
- Compact / Lightweight Aluminum Die Cast Body
- Waterproof Design
- Microphone
- Normal / Mirror Image switch
- Adjustable Mounting Angle
- Wide Angle Lens
- Aluminum Bracket and SS. Hardware included
- IR LED Low Light Enhancement

### Recommended grommet Hole & Mtg. thickness

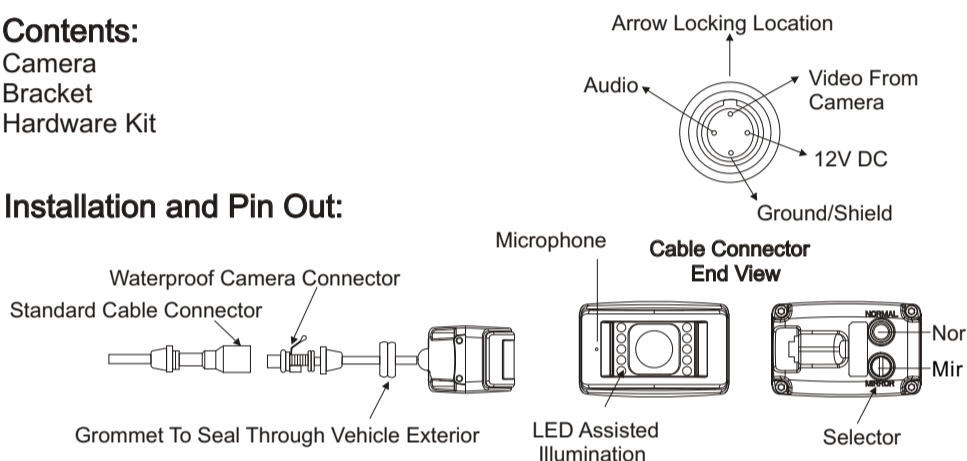


Unit : Inch

### Contents:

- Camera
- Bracket
- Hardware Kit

### Installation and Pin Out:



### Camera to bracket hardware

Specifications	Qty
 Hex Socket Head M4X10L Stainless screws	4
 Allen wrench	1

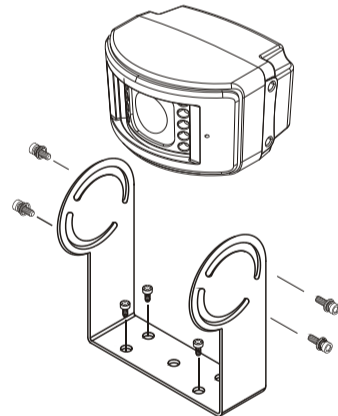
### Bracket to vehicle hardware

Specifications	Qty
 Tapping P/H W/Washer 5X16mm Stainless screws	4
 Machine Screw T/H M5X16mm Stainless	4
 Locking nuts M5 stainless	4

### Installation

#### Screw For Use

- Hex Socket Head M4X10L Stainless screws
- Spring Washers 4X7X1.2mm Stainless
- Flat Washers 4x10x.5mm Stainless
- Allen wrench
- Tapping P/H W/Washer 5X16mm Stainless screws
- Machine Screw T/H M5X16mm Stainless
- Locking nuts M5 stainless

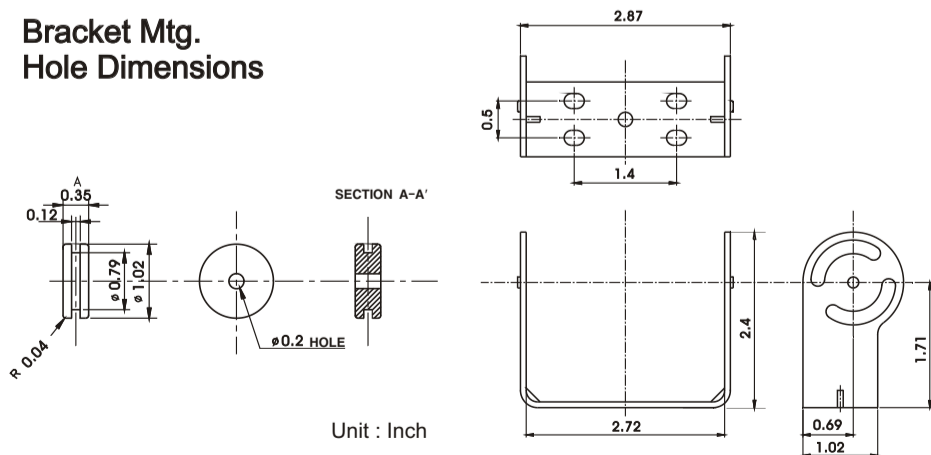


### Specifications

- Signal System : NTSC
- Image Sensor : 1/3" Color CCD W/electronic auto-iris  
270K pixels
- Viewing Angle : 120°(H), 90°(V)
- Outer Dimensions : 68.8 (W) X 44 (H) X 56.6 (D) mm  
2.7 (W) X 1.73 (H) X 2.2 (D) Inch
- Weight : Approx. 0.24kg / 0.53lbs

\* Specifications are subject to change without notice.

### Bracket Mtg. Hole Dimensions



Unit : Inch

**ASAElectronics**  
 THE MOBILE ELECTRONICS COMPANY SINCE 1977  
[www.asaelectronics.com](http://www.asaelectronics.com)

## Free Manuals Download Website

<http://myh66.com>

<http://usermanuals.us>

<http://www.somanuals.com>

<http://www.4manuals.cc>

<http://www.manual-lib.com>

<http://www.404manual.com>

<http://www.luxmanual.com>

<http://aubethermostatmanual.com>

Golf course search by state

<http://golfingnear.com>

Email search by domain

<http://emailbydomain.com>

Auto manuals search

<http://auto.somanuals.com>

TV manuals search

<http://tv.somanuals.com>