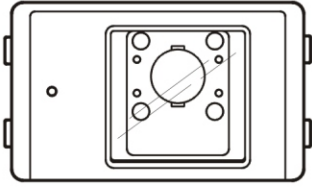


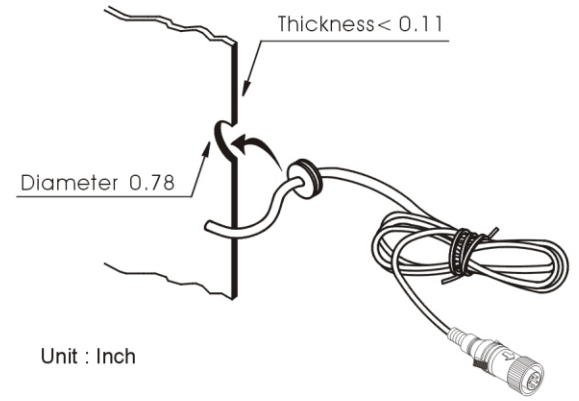
# Voyager®

## NTSC SYSTEM VCCT 130



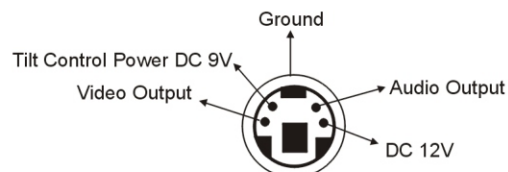
- VCCT130 Features:
- High Resolution, 1/3" CCD Adjustable Tilt Color Camera
  - Compact / Lightweight Aluminum Die Cast Body
  - Waterproof Design
  - Microphone
  - Motorized Adjustable Vertical Viewing Angle Control
  - Adjustable Mounting Angle
  - Wide Angle Lens
  - Aluminum Bracket and SS. Hardware included
  - IR LED Low Light Enhancement

### Recommended grommet Hole & Mtg. thickness

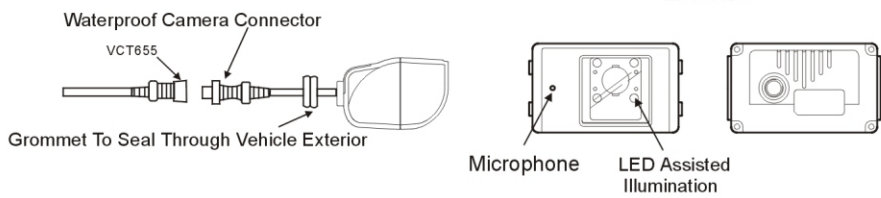


### Contents:

Camera  
Bracket  
Hardware Kit



### Installation and Pin Out:



### Camera to bracket hardware

Specifications	Q'ty
<p>Hex Socket Head M4X10L Stainless screws</p>	4
<p>Spring Washers 4X7X1.2mm Stainless</p>	4
<p>Flat Washers 4x10x.5mm Stainless</p>	4
<p>Allen wrench</p>	1

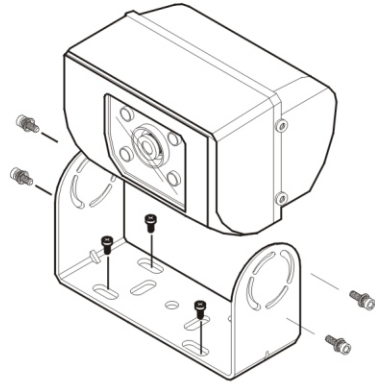
### Bracket to vehicle hardware

Specifications	Q'ty
<p>Tapping P/H W/Washer 5X16mm Stainless screws</p>	4
<p>Machine Screw T/H M5X16mm Stainless</p>	4
<p>Locking nuts M5 stainless</p>	4

### Installation

#### Screw For Use

- Hex Socket Head M4X10L Stainless screws
- Spring Washers 4X7X1.2mm Stainless
- Flat Washers 4x10x.5mm Stainless
- Allen wrench
- Tapping P/H W/Washer 5X16mm Stainless screws
- Machine Screw T/H M5X16mm Stainless
- Locking nuts M5 stainless

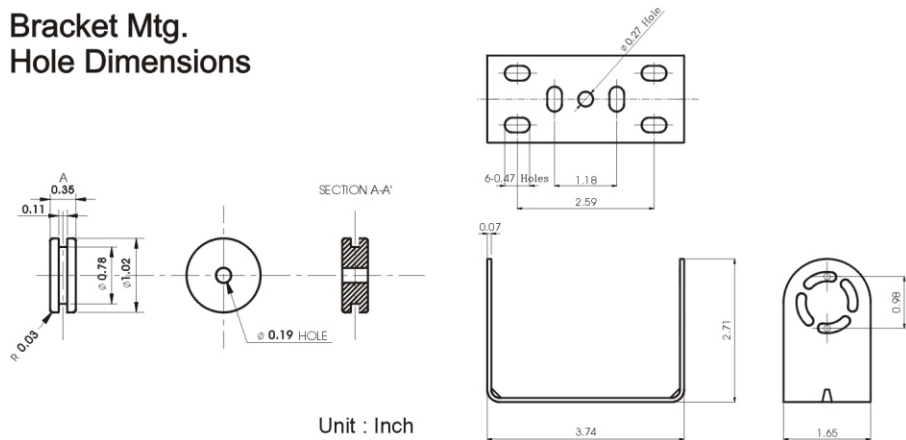


### Specifications

- Signal System : NTSC
- Image Sensor : 1/3" COLOR CCD W/electronic auto-iris  
320K pixels
- Viewing Angle : 71°(H), 53°(V), 92°(D)
- Outer Dimensions : 91 (W) X 53 (H) X 81 (D) mm  
3.6 (W) X 2.1 (H) X 3.2 (D) Inch
- Weight : 0.5kg/ 1.1lbs

\* Specifications are subject to change without notice.

### Bracket Mtg. Hole Dimensions



**ASA**  
AUDIOVOX SPECIALIZED APPLICATIONS, L.L.C.  
www.asaelectronics.com

## Free Manuals Download Website

<http://myh66.com>

<http://usermanuals.us>

<http://www.somanuals.com>

<http://www.4manuals.cc>

<http://www.manual-lib.com>

<http://www.404manual.com>

<http://www.luxmanual.com>

<http://aubethermostatmanual.com>

Golf course search by state

<http://golfingnear.com>

Email search by domain

<http://emailbydomain.com>

Auto manuals search

<http://auto.somanuals.com>

TV manuals search

<http://tv.somanuals.com>