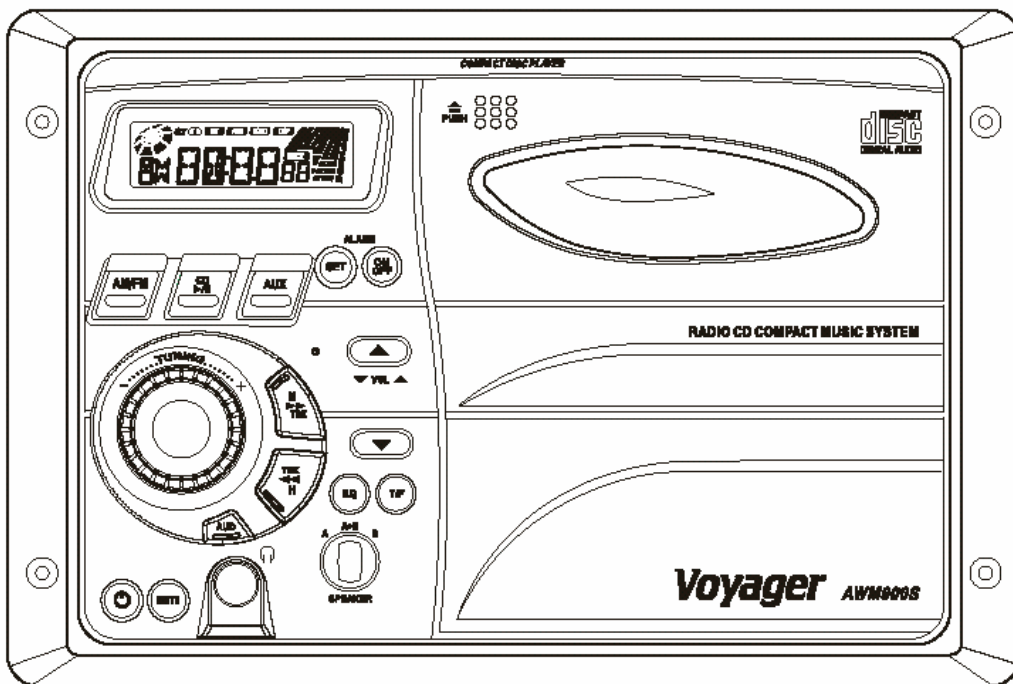


# Voyager®

## AWM900S

High Power AM/FM/CD Player

### Owner's Manual



Designed Specifically for the  
Van and RV Industries



**AUDIOVOX SPECIALIZED APPLICATIONS, LLC**  
www.asaelectronics.com

**Thank you** for your purchase of the AWM900S. It is designed to give you good value and many hours of listening enjoyment. Please read this manual carefully, as it should be able to answer many of your questions about the operation and features of this product.

### **IMPORTANT NOTES**

Avoid installing unit in locations described below:

- Places exposed to heat radiating appliances such as electric heaters
- On top of other stereo equipment that radiates too much heat
- Places lacking ventilation or dusty places
- Humid or moist places

### **Features:**

- AM/FM Wallmount Stereo with CD Player
- Digital Display Type Tuner
- Locking Power/Speaker Connector
- Clock/Alarm
- 2-Channel (Left, Right with A/B Speaker Outputs)
- Auxiliary input Function
- Backlit Controls
- Reverse Polarity Protection
- 50 Watts Power Output
- 12VDC
- Bass/Treble
- Preset EQ (Rock, Pop, Classis)
- Alarm Defeat Switch

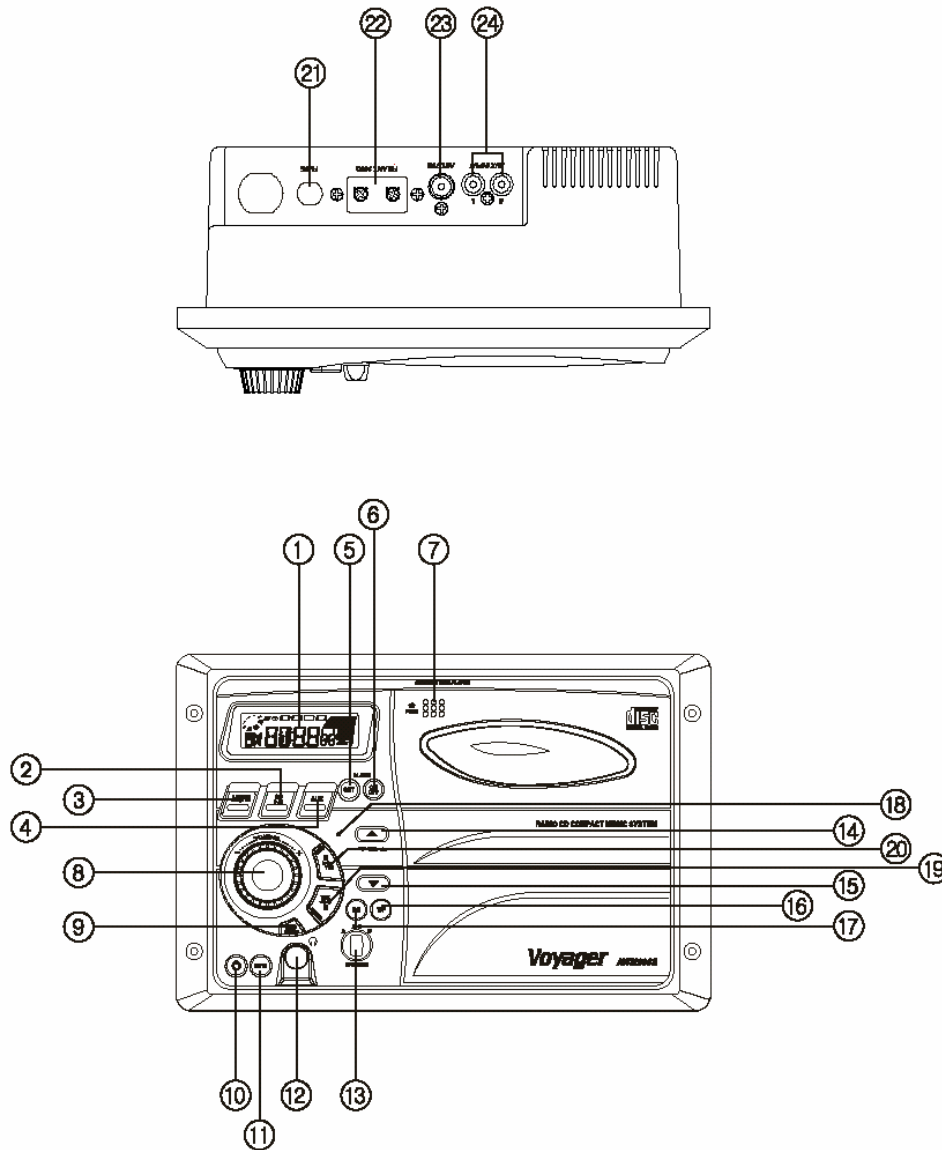
### **REAR PANEL FEATURES**

- External Fuse Holder
- Main Wiring Pigtail with Locking Amp Connector (12-Pin)
- Auxiliary Input Phone Jacks (Left and Right)

### **Manual contents:**

	<b>Page:</b>
Features-Manual contents	2
Controls Identification	3
Operation Instructions	4-5
Hook Up Wiring Color Code	5
Installation	6
Specifications	6
Warranty Statement	7

## Controls Identification:



### Controls Identification

- |   |   |
|---|---|
| 1) Display Window   | 13) Speaker Selector                      |
| 2) CD Play/Pause Button   | 14) Volume Up Control Button              |
| 3) Band(AM/FM) Button   | 15) Volume Down Control Button            |
| 4) AUX Selector Button  | 16) Time/Frequency Selector Button        |
| 5) Alarm Set Button   | 17) Preset EQ Button (Rock, Pop, Classic) |
| 6) Alarm On/Off Buttons   | 18) Reset Button                          |
| 7) CD Eject Button  | 19) Track Up / Minute Set Button          |
| 8) Radio Tuning Control   | 20) Track Down /Hour Set Button           |
| 9) Audio Adjust Selector Button (Volume, Bass, Treble, Balance) | 21) Fuse                                  |
| 10) Power Switch  | 22) FM Antenna Terminals                  |
| 11) Mute Button   | 23) Car Antenna Jack- 75 Ohm              |
| 12) Stereo Headphone Jack                                       | 24) RCA Auxiliary Input Jacks             |

## Operating Instructions:

NOTE: Number in parenthesis (#) corresponds with "Control Identification" on page 3.

### LIQUID CRYSTAL DISPLAY PANEL

The liquid crystal display (LCD) panel displays the frequency, time and activated functions.

**Note:** It is characteristic of LCD panels that, if subjected to cold temperatures for an extended period of time, they will take longer to illuminate than under normal conditions. In addition, the visibility of the numbers on the LCD may slightly decrease. The LCD readout will return to normal when the temperature increases to a normal range.

### TUNER

- 1) Turn power on by pushing the Power switch(10).
- 2) Use the Band Selector(3) to select either AM or FM
- 3) Use the Speaker Selector Switch(13) to choose speaker output
- 4) Use the Tuner Control(8) to select station
- 5) Adjust Volume Control(14 or 15) to suit taste

### CD PLAYER

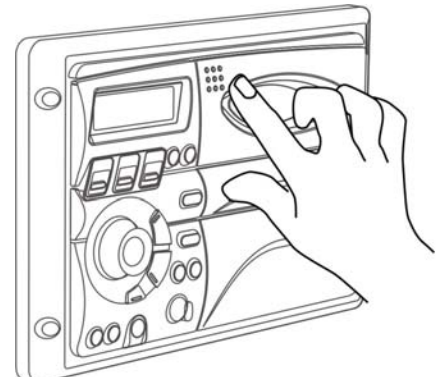
- 1) Use the Speaker Selector switch (13) to choose between speaker output, headphones or both.
- 2) Press the CD eject button (7) to eject any CD's that may already be in the player.
- 3) Press the CD Play/Pause button (the same as the CD Source Select button).
- 4) You may change tracks by using the Track Up or Track down buttons (19 or 20).
- 5) To change to AM/FM or Aux. Inputs, press the corresponding button; to return to CD press the CD button.
- 6) To eject the CD, press the CD eject button(7).
- 7) CD Disc Insert Method



Door Open



Disc Insert



Door Close

### **AUXILIARY INPUT**

- 1) Push Power Switch (10) "On".
- 2) Using the source Selectors (4), choose the button labeled "AUX".
- 3) If there is an external source (example: CD shuttle) connected to the Auxiliary Input Jacks (24) on the rear of the radio, then you can listen to your external source through the system.

### **SETTING THE CLOCK**

- 1) Push Power Switch (10) "On".
- 2) Press the T/F button to display the clock
- 3) Hold the T/F button (16) and simultaneously use the H and M buttons (19 and 20) to adjust hours and minutes.

**Note:** The T/F also toggles between time and radio frequency on the display.

### **USING THE AUDIO ADJUST BUTTON**

- 1) You can toggle between volume, treble, bass and balance control by pressing the Audio Adjust button (9)
- 2) Once at the desired function, you can use the volume buttons to adjust.

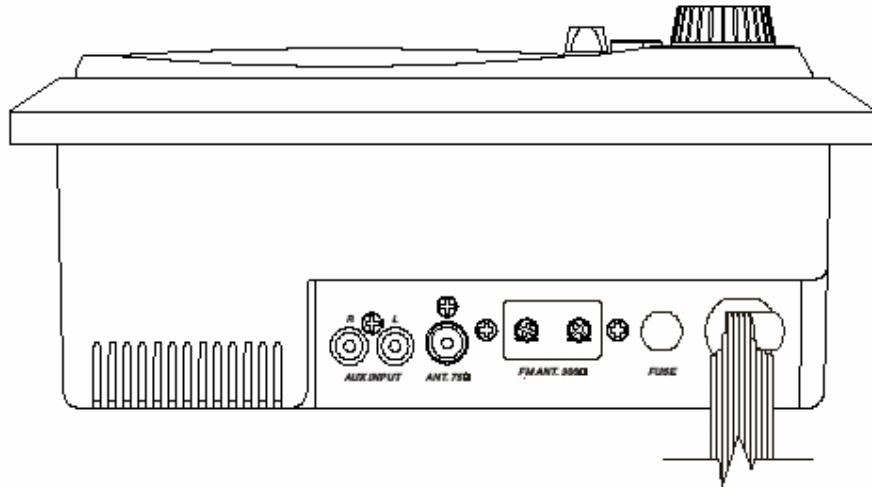
### **SETTING THE ALARM**

- 1) Hold the Alarm set button (5)
- 2) Use the H and M buttons (19 and 20) to adjust hours and minutes.
- 3) The alarm On/Off button (6) activates or deactivates the alarm.

### **BEEP FEATURE**

- 1) Hold the Audio Adjust button to enable the beep feature (9). Lower right side of the display will display an audio symbol when this feature is turned on.
- 2) When this feature is on, turning different features on or off will produce two different tones, higher tone for ON and lower tone for OFF.
- 3) Completely removing power from the unit will turn the beep feature off.

## Wiring Color Code:

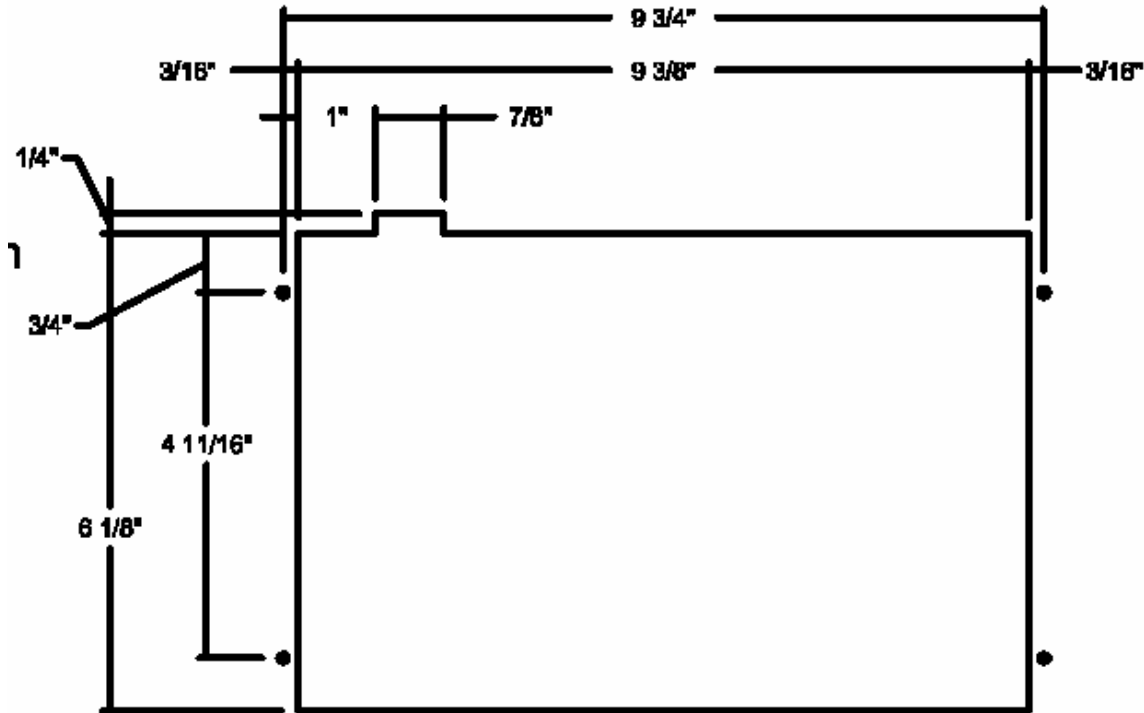


## WIRING COLOR CODE FOR AWM-900S

COLOR	FUNCTION
ORANGE/WHITE STRIPE	+12VDC IGNITION POWER
GREEN/WHITE STRIPE	+12VDC BATTERY POWER
BLACK/WHITE STRIPE	POWER GROUND (-12VDC)
WHITE	LEFT (A) SPEAKER (+)
VIOLET	LEFT (A) SPEAKER (-)
BLUE	RIGHT (A) SPEAKER (+)
LIGHT GREEN	RIGHT (A) SPEAKER (-)
RED	LEFT (B) SPEAKER (+)
VIOLET/BLACK STRIPE	LEFT (B) SPEAKER (-)
YELLOW	RIGHT (B) SPEAKER (+)
LT GREEN/BLACK STRIPE	RIGHT (B) SPEAKER (-)

### Installation:

- 1) Cut a mounting hole in the desired location using mounting hole diagram (below) and use the four 3x20min self tapping screws provided to mount the unit.
- 2) Route power, speaker and antenna cables through hole and connect to unit as outlined in the Wiring Color Code diagram on the previous page.
- 3) After making sure connections are correct, test operation.



### Specifications:

Operating Voltage:	11-16VDC
Output Power:	50 Watts Total (25 Watts per Channel)
Output Wiring:	2/4 speaker and Headphone System
Output Impedance:	Compatible with 4-8 Ohm Speakers, 4 Ohm Load Min.
Tuning Range:	(AM)530-1720 KHz (FM) 87.5-108 MHz
Sensitivity	(AM) less than 15uv (FM) less than 2.5uv
FM Stereo Separation:	More than 30dB
CD Frequency Response:	20-20,000 Hz
CD Channel Separation:	50dB
CD S/N Ratio:	60dB
CD Distortion:	0.3%
Size-	
Overall Size:	10.43"(W)x7" (H)x6.26 (D) 265mm(W)x178mm(H)x159mm(D)
Mounting Size:	9.25"(W)x6.05"(H)x5.25"(D) 235mm(W)x154mm(H)x133mm(D)
Weight:	4 lbs.(1.8 Kg)

# WARRANTY

## 90 DAY / 12 MONTH LIMITED WARRANTY

AUDIOVOX SPECIALIZED APPLICATIONS, LLC (the Company) warrants to the original retail purchaser of this product that should this product or any part thereof, under normal use and conditions, be proven defective in material or workmanship within 90 days from the date of original purchase, such defect(s) will be repaired or replaced (at the Company's option) without charge for parts and repair labor. After the initial 90 day period and for a period of 12 months from the date of the original purchase, the Company will supply at no charge a replacement for any defective part(s).

To obtain repair or replacement within the terms of this warranty, the end user should contact the O.E.M. The product is to be delivered to the OEM or original place of purchase, with proof of warranty coverage (e.g. dated bill of sale, and serial number of the unit, and vin#), specification of defect(s), transportation prepaid, to an approved warranty station.

This warranty does not extend to the elimination of externally generated static or noise, to the correction of antenna problems, to costs incurred for removal or reinstallation of the product, or to damage to any tapes, cd's, dvd's, speakers, accessories, or electrical systems.

This warranty does not apply to any product or part thereof which, in the opinion of the Company, has been damaged through alteration, improper installation, mishandling, misuse, neglect, or accident. THE EXTENT OF THE COMPANY'S LIABILITY UNDER THIS WARRANTY IS LIMITED TO THE REPAIR OR REPLACEMENT PROVIDED ABOVE, AND, IN NO EVENT, SHALL THE COMPANY'S LIABILITY EXCEED THE PURCHASE PRICE PAID BY THE PURCHASER FOR THE PRODUCT.

This warranty is in lieu of all other express warranties or liabilities. ANY IMPLIED WARRANTIES, INCLUDING ANY IMPLIED WARRANTY OF MERCHANTABILITY, SHALL BE LIMITED TO THE DURATION OF THIS WARRANTY. ANY ACTION FOR BREACH OF ANY WARRANTY HEREUNDER INCLUDING ANY IMPLIED WARRANTY OF MERCHANTABILITY MUST BE BROUGHT WITHIN A PERIOD OF 30 DAYS FROM THE DATE OF ORIGINAL PURCHASE. IN NO CASE SHALL THE COMPANY BE LIABLE FOR ANY CONSEQUENTIAL OR INCIDENTAL DAMAGES FOR BREACH OF THIS OR ANY OTHER WARRANTY, EXPRESS OR IMPLIED WHATSOEVER. No person or representative is authorized to assume for the Company any liability other than that expressed herein in connection with the sale of this product.

Some states do not allow limitations on how long an implied warranty lasts or the exclusion or limitation of incidental or consequential damages so the above limitations or exclusions may not apply to you. This warranty gives you specific legal rights and you may also have other rights which vary from state to state.



Visit us at [www.asaelectronics.com](http://www.asaelectronics.com)



## Free Manuals Download Website

<http://myh66.com>

<http://usermanuals.us>

<http://www.somanuals.com>

<http://www.4manuals.cc>

<http://www.manual-lib.com>

<http://www.404manual.com>

<http://www.luxmanual.com>

<http://aubethermostatmanual.com>

Golf course search by state

<http://golfingnear.com>

Email search by domain

<http://emailbydomain.com>

Auto manuals search

<http://auto.somanuals.com>

TV manuals search

<http://tv.somanuals.com>