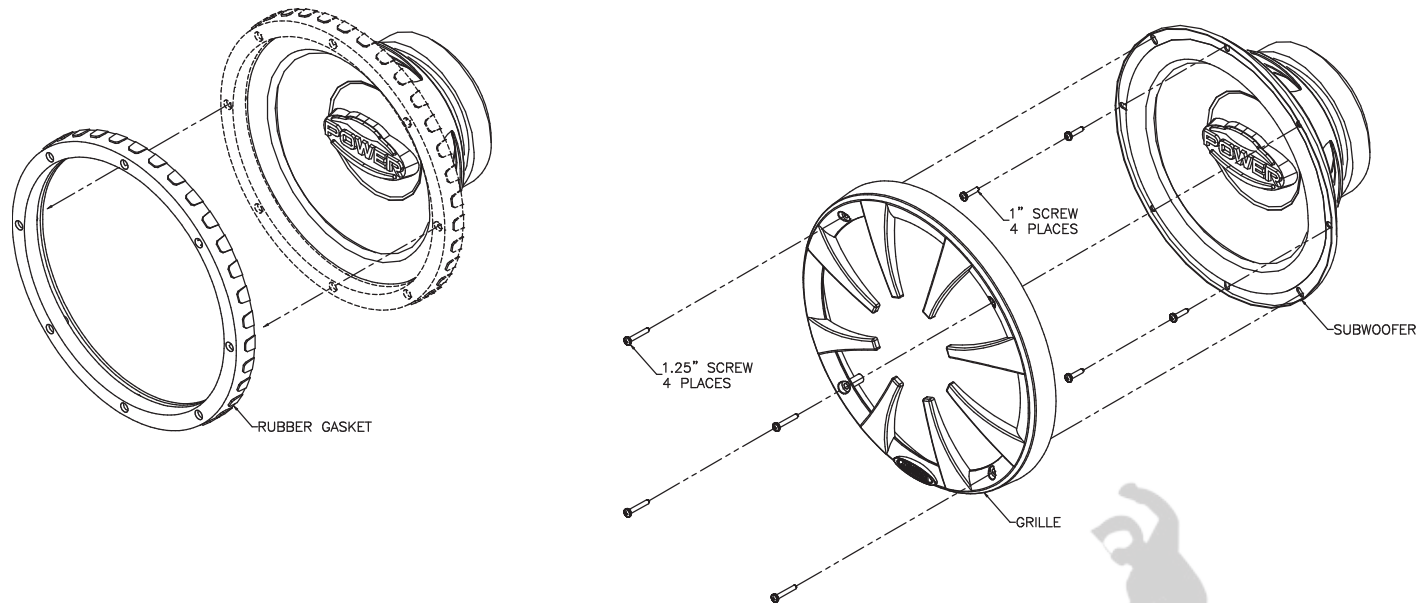


# WE DARE [YOU]



## Installation Guide for JENSEN® 10" Subwoofer and Grille

1. Remove the rubber gasket from the subwoofer. This gasket is not needed and can be discarded.  
Lift the gasket from the back side and pull away for the subwoofer. This will release the gasket from the woofer.
2. Install the subwoofer into the speaker enclosure with four 1" screws (not supplied). Please note the screw positions in reference to the grille.
3. Install the grille over the subwoofer with the supplied four 1 1/4" screws.



## Free Manuals Download Website

<http://myh66.com>

<http://usermanuals.us>

<http://www.somanuals.com>

<http://www.4manuals.cc>

<http://www.manual-lib.com>

<http://www.404manual.com>

<http://www.luxmanual.com>

<http://aubethermostatmanual.com>

Golf course search by state

<http://golfingnear.com>

Email search by domain

<http://emailbydomain.com>

Auto manuals search

<http://auto.somanuals.com>

TV manuals search

<http://tv.somanuals.com>