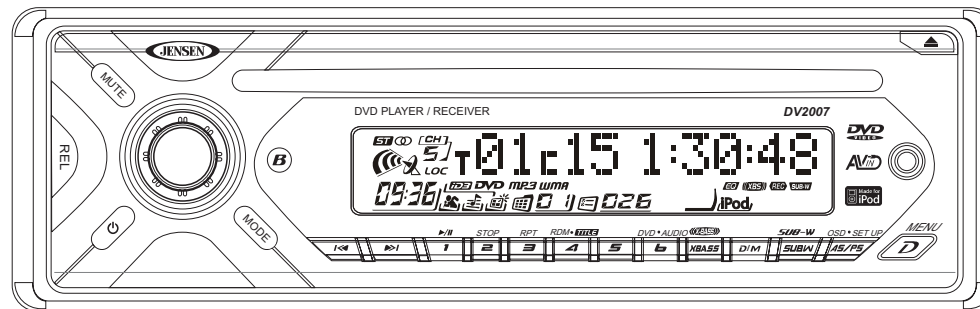




DV2007

CD / MP3 / WMA / DVD PLAYER / RECEIVER

Installation and Operation Manual



SAFETY INFORMATION

When Driving

Keep the volume level low enough to be aware of the road and traffic conditions.

When Washing your Vehicle

Do not expose the product to water or excessive moisture. Moisture can cause electrical shorts, fire or other damage.

When Parked

Parking in direct sunlight can produce very high temperatures inside your vehicle. Give the interior a chance to cool down before starting playback.

Use the Proper Power Supply

This product is designed to operate with a 12 volt DC negative ground battery system (the standard system in a North American vehicle).

Protect the Disc Mechanism

Avoid inserting any foreign objects into the disc slot. Misuse may cause malfunction or permanent damage due to the precise mechanism of this unit.

CAUTION:

THIS MOBILE DVD PLAYER IS A CLASS I LASER PRODUCT. THIS UNIT USES A VISIBLE/INVISIBLE LASER BEAM WHICH COULD CAUSE HAZARDOUS RADIATION IF EXPOSED DIRECTLY. BE SURE TO OPERATE THE MOBILE DVD PLAYER AS INSTRUCTED.

USE OF CONTROLS OR ADJUSTMENTS OR PERFORMANCE OR PROCEDURES OTHER THAN THOSE SPECIFIED HEREIN MAY RESULT IN HAZARDOUS RADIATION EXPOSURE.

DO NOT OPEN COVERS AND DO NOT REPAIR BY YOURSELF. PLEASE REFER SERVICING TO A QUALIFIED TECHNICIAN.

WARNING:

- TO REDUCE THE RISK OF FIRE OR ELECTRIC SHOCK, DO NOT EXPOSE THIS EQUIPMENT TO RAIN OR MOISTURE.
- TO REDUCE THE RISK OF FIRE OR ELECTRIC SHOCK AND ANNOYING INTERFERENCE, USE ONLY THE RECOMMENDED ACCESSORIES.
- THIS DEVICE IS INTENDED FOR CONTINUOUS OPERATION.

This product incorporates copyright protection technology that is protected by method claims of certain U.S. Patents and other intellectual property rights owned by Macrovision Corporation and other rights owners. Use of this copyright protection technology must be authorized by Macrovision Corporation, and is intended for home and other limited viewing uses only unless otherwise authorized by Macrovision Corporation. Reverse engineering or disassembly is prohibited.

Region Management Information

This Mobile DVD Player is designed and manufactured to respond to the Region Management Information recorded on individual DVD discs. If the Region number described on the DVD disc does not correspond to the Region number(s) supported by this Mobile DVD Player, the disc will not play in this unit.

DISC NOTES

Compatible Disc Types

DVD Video

DVDs contain excellent sound and video quality due to Dolby Digital and MPEG2 encoding. A DVD is 12 cm in diameter and can hold more than seven times the data of a CD-ROM. The maximum playing time can be up to 2 hours (a double-sided DVD is up to 4 hours). There are four types of DVD discs: single-layer single-sided (1), two-layer single-sided (2), single-layer double-sided (3), and two-layer double-sided (4).

CD-DA

CD-DA discs can play voice data. The playing time of the standard 12 cm CD-DA disc is 74 minutes.

DTS-CD

The DTS digital surround sound uses 6 digital sound tracks to replace the analog voice tracks in movies.

HDCD

HDCD, or "High Definition Compatible Digital," is a recording/playing technology that improves CD audio quality. Based on full compliance with CD specifications, it can enhance the quality and quantity of digital sounds in the highest scale. It encodes the required messages that were deserted by the CD format, and stores the related commands into the LSB. Without changing the CD format, it is output through the 24-bit D/A converter, which will ultimately enhance the quality of playback.

MP3/WMA/JPEG

This unit is compatible with CD-R, CD-RW, and CD-ROM discs containing MP3, WMA, and JPEG tracks.

CD-R/CD-RW

This unit is compatible with CD-R and CD-RW discs that support ISO9660 specifications. ".MP3", ".JPG", "JPEG", ".AC3", ".PCM", ".MPG", ".MPE", and ".WAV" formats can be included on ISO9660-compatible discs.

DVD-R / DVD-RW

This unit is compatible with DVD-R and DVD-RW discs that support UDF specifications. ".MP3", ".JPG", "JPEG", ".AC3", ".PCM", ".MPG", ".MPE", and ".WAV" formats can be included on UDF-compatible discs.

Incompatible Disc Types

- 8 cm disc
- CD ROM
- CDV, CDI, CDG
- LD
- DVD ROM
- DVD RAM

NOTE: DVD-R and DVD-RW discs will not play unless the recording session is closed and the DVD is finalized.

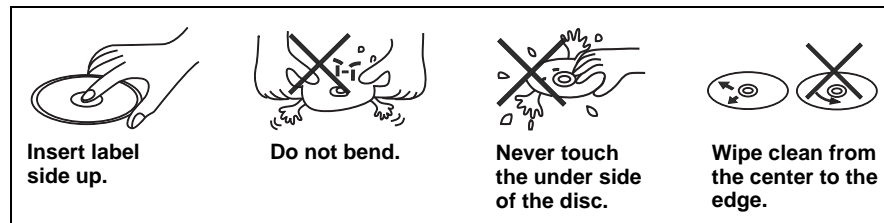
Table 1: General Disc Information

Disc Type	Logo	Diameter/ Playable Sides	Playback Time
DVD Video		12 cm single/double side (1 layer & 2 layer)	133 minutes (4.7 GB) 242 minutes (8.5 GB) 266 minutes (9.4 GB) 484 minutes (17 GB)
Audio CD		12 cm single side	74 minutes
MP3/WMA Disc	CD-Rs or CD-RWs recorded in MP3, MPEG1 or 2, 2.5 Audio Layer 3 and WMA Version 7 and 8. The recorded format must be compliant with ISO 9660 Level 1, ISO 9660 Level 2, Romeo, or Joliet.		

Disc Maintenance

Before playing, wipe the disc using a clean cloth, working from the center hole towards the outside edge.

Never use benzene, thinners, cleaning fluids, anti-static liquids or any other solvent.



NOTE: A disc may become scratched (although not enough to make it unusable) depending on how you handle it and other conditions in the usage environment. These scratches are not an indication of a problem with the player.

INSTALLATION

Before You Begin

- Disconnect Battery**
Before you begin, always disconnect the battery negative terminal.
- Remove Transport Screws**

Important Notes

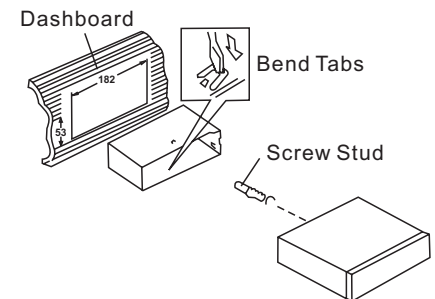
- Before final installation, test the wiring connections to make sure the unit is connected properly and the system works.
- Use only the parts included with the unit to ensure proper installation. The use of unauthorized parts can cause malfunctions.
- Consult with your nearest dealer if installation requires the drilling of holes or other modifications to your vehicle.
- Install the unit where it does not interfere with driving and cannot injure passengers if there is a sudden or emergency stop.
- If the installation angle exceeds 30° from horizontal, the unit might not give optimum performance.
- Avoid installing the unit where it will be subject to high temperatures from direct sunlight, hot air, or from a heater, or where it would be subject to excessive dust, dirt or vibration.
- Be sure to remove the control panel before installing the unit.

DIN Front/Rear Mount

This unit can be properly installed with either a "Front" (conventional DIN front mount) or "Rear" (DIN rear mount installation, utilizing threaded screw holes at the sides of the unit chassis) mount. For details, refer to installation methods A and B.

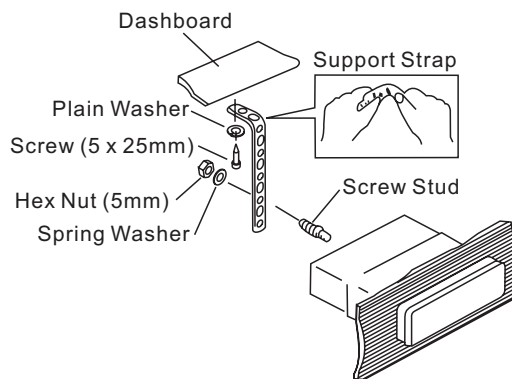
DIN Front Mount (Method A)

- Remove the detachable front panel, if it is attached to the chassis, by pushing the **REL** button.
- Slide the mounting sleeve off of the chassis if it has not already been removed. If it is locked into position, use the removal keys (supplied) to disengage it. The removal keys are depicted on page 4.
- Check the dashboard opening size by sliding the mounting sleeve into it. If the opening is not large enough, carefully cut or file as necessary until the sleeve easily slides into the opening. Do not force the sleeve into the opening or cause it to bend or bow. Check that there will be sufficient space behind the dashboard for the radio chassis.
- Locate the series of bend tabs along the top, bottom and sides of the mounting sleeve. With the sleeve fully inserted into the dashboard opening, bend as many of the tabs outward as necessary to firmly secure the sleeve to the dashboard.
- Place the radio in front of the dashboard opening so the wiring can be brought through the mounting sleeve.
- Follow the wiring diagram carefully and make certain all connections are secure and insulated with crimp connectors or electrical tape to ensure proper operation.
- After completing the wiring connections, attach the front panel and turn the unit on to confirm operation (vehicle ignition switch must be on). If the unit does not operate,



recheck all wiring until the problem is corrected. Once proper operation is achieved, turn the ignition switch off and proceed with final mounting of the chassis.

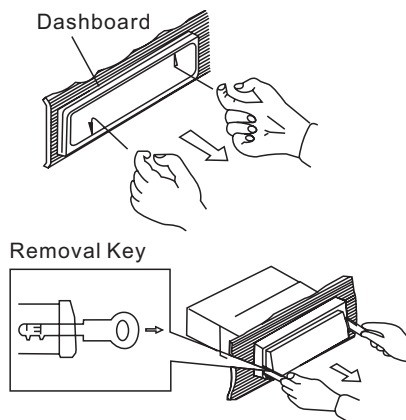
8. Carefully slide the radio into the mounting sleeve making sure it is right-side-up until it is fully seated and the spring clips lock it into place.
9. Attach one end of the perforated support strap (supplied) to the screw stud on the rear of the chassis using the hex nut and spring washer provided. Fasten the other end of the perforated strap to a secure part of the dashboard either above or below the radio using the screw and plain washer provided. Bend the strap, as necessary, to position it. **CAUTION:** The rear of the radio must be supported with the strap to prevent damage to the dashboard from the weight of the radio or improper operation due to vibration.
10. Re-attach the front panel to the chassis and test radio operation by referring to the operating instructions for the unit.



Removing the Unit

To remove the radio after installation:

1. Insert fingers into the groove in the front of frame and pull out to remove the frame. (When re-attaching the frame, point the side with a groove downwards and re-attach.)
2. Insert the removal keys straight back until they click, and then pull the radio out. If removal keys are inserted at an angle, they will not lock properly to release the unit.



Trim Plate Installation

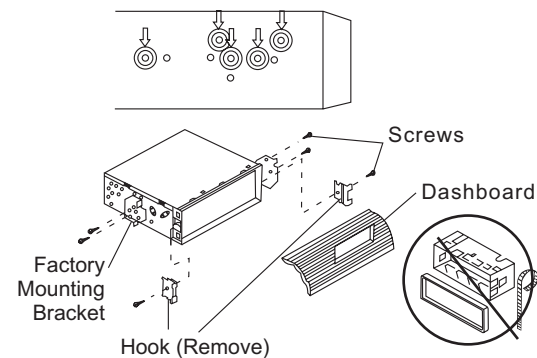
Push the trim plate against the chassis until it is fitted. **You must do this before you install the control panel, otherwise it can't be attached.**

DIN Rear Mount (Method B)

This unit has threaded holes in the chassis side panels which may be used with the original factory mounting brackets of some vehicles to mount the radio to the dashboard. Please consult with your local mobile stereo shop for assistance on this type of installation.

1. Remove the existing factory radio from the dashboard or center console mounting. Save all hardware and brackets as they will be used to mount the new radio.
2. Carefully unsnap the plastic trim ring from the front of the new radio chassis. Remove and discard the trim ring.

3. Remove the factory mounting brackets and hardware from the existing radio and attach them to the new radio. Select a position where the screw holes of the bracket and the screw holes of the main unit are aligned (are fitted). Tighten the screws at 2 places on each side. Do not exceed M5 x 9 MM maximum screw size. Longer screws may damage components inside the chassis.
4. Wire the new radio to the vehicle as outlined in the Universal Installation instructions.
5. Mount the new radio assembly to the dashboard or center console using the reverse procedure of step 1.



NOTE: The mounting box, outer trim ring, and half-sleeve are not used for method B installation.

Reconnect Battery

When wiring is complete, reconnect the battery negative terminal.

Detachable Control Panel (DCP)

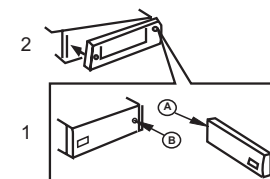
Removing the Detachable Control Panel (DCP)

1. Turn the power off.
2. Press the REL button.
3. Remove the DCP.



Attaching the DCP

1. Attach the panel at the right side first, with point B on the main unit touching point A on the DCP (as shown in the diagram).
2. Press the left side of the DCP onto the main unit until a "click" is heard.

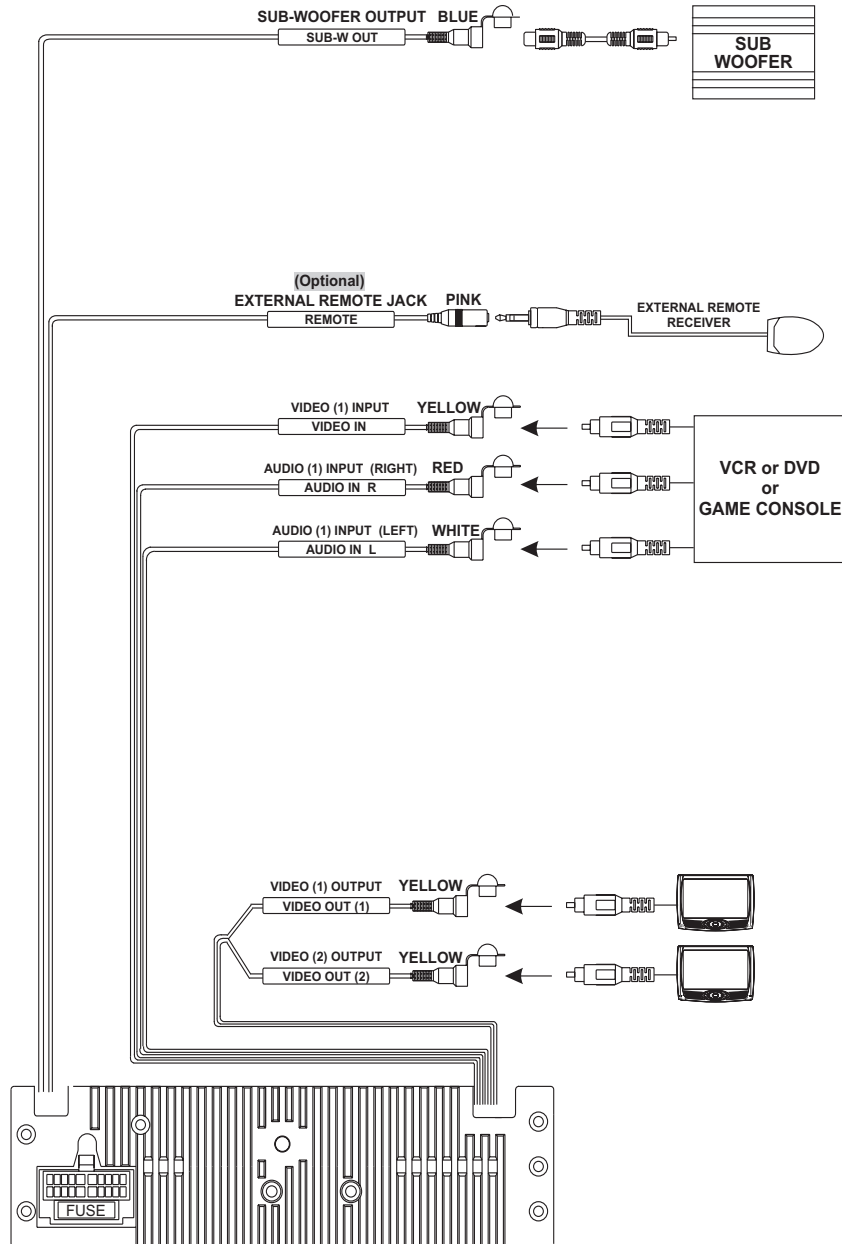


CAUTION:

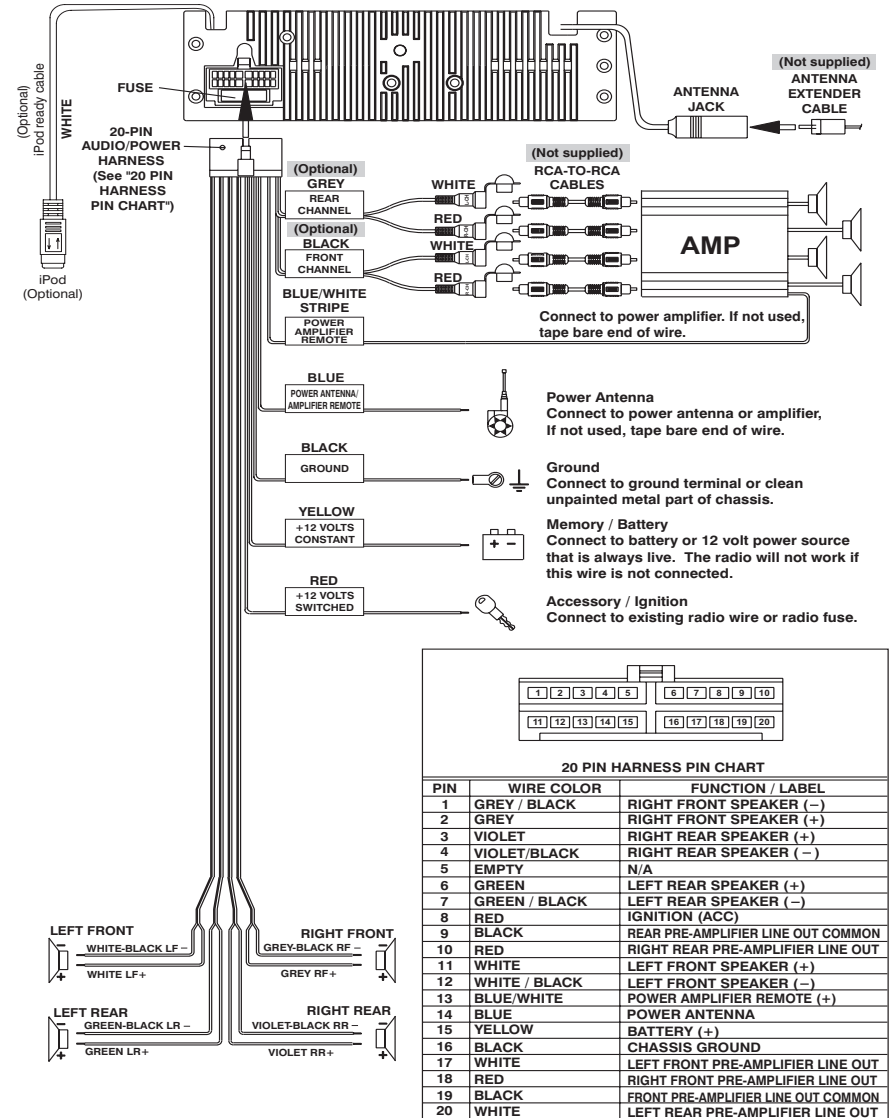
- **DO NOT** insert the DCP from the left side. Doing so may damage it.
- The DCP can easily be damaged if dropped or subjected to a strong shock. When the release button is pressed and the DCP is unlocked, the vehicle's vibrations may cause it to fall. To prevent damage to the DCP, always store it in a protective case after detaching it.
- The rear connector that connects the main unit and the DCP is an extremely important part. Be careful not to damage it by pressing on it with fingernails, pens, screwdrivers, etc.
- If the DCP is dirty, remove debris with a soft, dry cloth only. You can use a cotton swab soaked in isopropyl alcohol to clean the socket on the back of the DCP.

WIRING

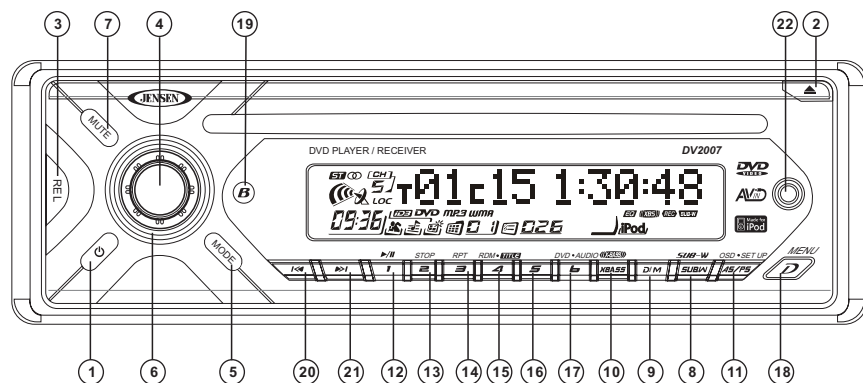
Audio/Video Connections



Power/Sppeaker Connections



BASIC OPERATION



Control Panel Release (REL)

Press the **REL** button (3) to remove the control panel.

Power On/Off (⏻)

Press the **⏻** button (1) or any other button on the front of the unit (except open/eject) to turn the unit ON. Press the **⏻** button to turn the unit OFF.

Volume Control

To increase the volume, rotate the volume control knob (6) clockwise.

To decrease the volume, rotate the volume control knob counter clockwise. When the volume is adjusted, the volume level is shown on the display panel as a number ranging from 00 (lowest) to 46 (highest).

Mute

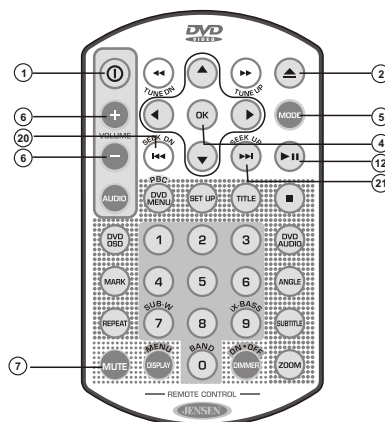
Press the **MUTE** button (7) to mute the audio output. "Mute" will appear on the display. Press **MUTE** again to restore the audio output to the previous level.

Mode

Press the **MODE** button (5) to select a different mode of operation, as indicated on the display panel. Available modes include Tuner, DVD, AV IN-1 and AV IN-2 (OPTIONAL).

Subwoofer (SUB-W)

Press the **SUB-W** button (8) to turn the sub-woofer function on. "Sub-woofer" will appear on the LCD display for 3 seconds. Press **SUB-W** again to turn the sub-woofer function off.



iX-Bass

Press the **XBASS** button (10) to turn on the iX-Bass function. "iX-Bass" will appear in the LCD display for 3 seconds. Press **XBASS** again to turn off the iX-Bass function.

Dimmer Control (DIM)

Press the **DIM** button (9) on the control panel (or the **DIMMER** button on the remote control) to adjust the dimmer level.

Display Options

Press the **D/MENU** button (18) on the control panel (or the **DISPLAY/MENU** button on the remote control) repeatedly to choose from the following display options: spectrum mode 1 > spectrum mode 2 > spectrum mode 3 > default display.



Default Display



True Spectrum Analyzer mode 2



True Spectrum Analyzer mode 1



True Spectrum Analyzer mode 3

The selected display option will appear in the display when the unit is turned on.

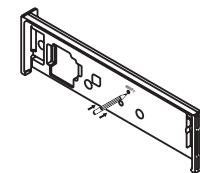
Ignition Off Clock Recall

You can recall the clock time display by pressing the **D/MENU** button (18), even when the ignition is off.

Reset

Resetting the Main Unit System

After releasing the control panel, use a pencil or any non-metallic object to *press and hold* the **RESET** button for five seconds to reset the main unit. The unit will return to the factory default settings.



Resetting the DVD Settings

Press the **SET UP** button on the remote control or *press and hold* the **AS/PS** button (11) to activate the "SET UP" Menu. Select "OTHERS" then select "LOAD DEFAULT". The DVD settings will return to the factory default values. (See "Set Up Menu (AS/PS/SET UP)" on page 15 for more information).

Basic Menu Operations

Press and hold the **D/MENU** button (18) for more than 3 seconds to access the menu. "Menu" will appear on the display. You can navigate through the menu items by pressing the **D/MENU** button, or by pressing the up **>>|** (21) or down **|<<** button (20) to access the next or previous option. Once the desired menu item appears on the display, adjust that option by turning the volume control knob (6) within 5 seconds. The following menu items can be adjusted:

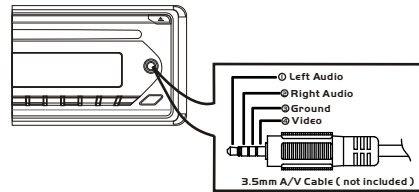
- **Contrast:** The contrast level of the display is set at "CONTRAST 05" by default. Use the volume control knob to adjust the contrast level from 00 to 10.
- **Clock Format:** "CLK FORMAT 12H" is the default setting. Use the volume control knob to choose between the "12 Hours" or "24 Hours" format.
- **Time Set:** The clock is set to 12:00 by default. Adjust the time by turning the volume control knob counterclockwise to adjust the minutes and clockwise to adjust the hours.

- **Local / Distance Selector:** Use the volume control knob to choose between Local or Distance mode. This feature is used to designate the strength of the signals at which the radio will stop during automatic tuning. "Distance" is the default setting, allowing the radio to stop at a broader range of signals. To set the unit to select only strong local stations during automatic tuning, turn the volume control knob until "Local" appears in the display.
- **Rear Speaker On/Off (Rear Spk):** The rear speaker is turned "ON" by default. If "OFF" is selected, the rear speaker's audio output will be TURNED OFF. Select "ON" to reactivate output to the rear speakers.
- **Programmable Turn-on Volume (VOL PGM):** This option allows you to select the volume level the radio will automatically assume when turned on. "VOL PGM 12" is the default setting. To program a specific turn-on volume level, use the volume control knob (6) to select the a "VOLUME LEVEL" within 5 seconds.
- **Beep Tone:** The beep tone feature allows you to choose whether or not you hear an audible beep tone when a button is pressed. "BEEP TONE On" is the default setting. Use the volume control knob to select the "BEEP TONE Off" option.

FRONT PANEL A/V INPUT

With a separately purchased 3.5mm A/V cable adapter , allows you to connect your video, game player, camera, video iPod, etc to this unit.

Connect the external device to A/V input jack located at the front of the panel , then press Mode button to select A/V input mode. Press Mode Button again to cancel A/V input Mode and return to previous mode.



AUDIO MENU

Press the volume control button (4) to access the Audio Menu. You can navigate through the Audio Menu items by pressing the volume control button repeatedly, or by pressing the up >>| (21) or down |<< (20) buttons. Once the desired menu item appears on the display, adjust that option by turning the volume control knob within 5 seconds. The unit will automatically exit the Audio Menu after five seconds of inactivity. The following menu items can be adjusted.

Volume Level

Use the volume control knob to adjust the Volume level from "00" (lowest) to "46" (highest).

Bass Level

Use the volume control knob to adjust the Bass level range from "-6" to "+6".

Treble Level

Use the volume control knob to adjust the Treble level range from "-6" to "+6".

Balance

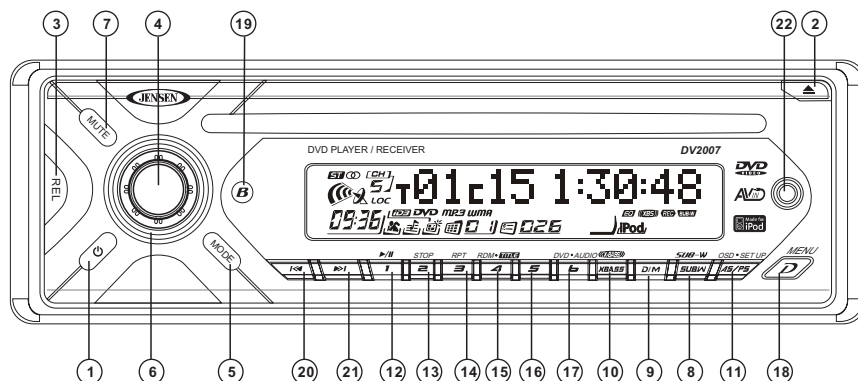
Use the volume control knob to adjust the Balance between the right and left speakers from "R12" (full right) to "L12" (full left). "C00" represents an equal balance between the right and left speakers.

Fader

Use the volume control knob to adjust the Fader between the front and rear speakers from "R12" (full rear) to "F12" (full front). "C00" represents an equal balance between the front and rear speakers.

NOTE: When the rear speaker is turned off, the "FADER" option is disabled.

TUNER OPERATION



Select a Band

Press the **B** button (19) on the control panel (or the **0/BAND** button on the remote control) to change between three FM bands and two AM bands. Each band stores up to six preset stations.

Tuning

Manual Tuning

Press the up **>>|** (21) or down **|<<** button (20) for more than three seconds to enter manual tuning mode. Press the up **>>|** (21) or down **|<<** button to change the radio frequency number up or down one step.

If using the remote control, press the **▶▶/TUNE UP** or **◀◀/TUNE DN** buttons to change the radio frequency number up or down one step

Auto Seek Tuning

Press the up **>>|** (21) or down **|<<** button (20) for less than three seconds to move to the next station automatically.

Preset Stations

Six numbered preset buttons store and recall stations for each band.

Store a Station

Select a band (if needed), then select a station. Hold a preset button (12-17) for three seconds. The preset number will appear in the display.

Recall a Station

Select a band (if needed). Press a preset button (12-17) to select the corresponding stored station.

Automatically Store / Preset Scan

Automatically Store

Select a band (if needed). Press **AS/PS** (11) for more than three seconds to automatically select six strong stations and store them in the current band. The new stations replace any stations already stored in that band.

Preset Scan

Select a band (if needed). Press **AS/PS** (11) to scan stations stored in the current band. The unit will pause for ten seconds at each preset station. Press **AS/PS** again to stop scanning when the desired station is reached.

Stereo

The unit will automatically pick up a stereo signal, when available. When in stereo mode, the "ST" icon appears in the display. When no stereo signal is available, the unit will automatically revert to mono operation, and no icon will be displayed.

IPOD OPERATION

Accessing iPod Mode

This unit is equipped with an iPod ready function that will allow you to control your iPod (if compatible) using the control panel control buttons. The following iPod versions are supported:

- iPod 3G (firmware version 2.2 only)
- iPod Mini
- iPod Photo
- iPod Nano
- iPod 5G (Video)

NOTE: iPod and iPod Cable sold separately.

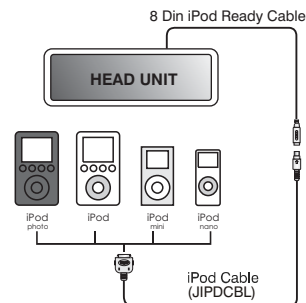
Accessing iPod Mode

The unit will automatically switch to iPod mode when an iPod is plugged into the iPod cable.

To return to the iPod menu from any other source, press the **MODE** button (5) on the control panel or remote control until "iPod" appears on the display.

Turning the iPod On/Off

The iPod power turns on automatically when an iPod is connected to 30-pin iPod cable, as long as the vehicle ignition is turned on. You can turn the iPod off by disconnecting it from the cable or by turning the ignition off. When the ignition is turned off, the iPod will pause and then enter sleep mode after 2 minutes.



NOTE: The iPod will continuously recharge when connected to the unit, as long as the vehicle ignition is turned on.

Viewing Playback Information

Press the **AS/PS** button (11) to display iPod playback information in the following order:

- Album
- Elapsed Time
- Song Title
- Artist

Controlling iPod Playback

Play/Pause

Press the **1/ >||** button (12) on the control panel or **>||** on the remote control to suspend or resume play.

Track Selection

Press the up **>>|** (21) or down **|<<** button (20) for < 1 second to advance to the next song in the current folder.

Audible Fast Forward / Fast Reverse

Press and hold the up **>>|** (21) or down **|<<** button (20) for > 1 second to fast forward or fast reverse. Playback begins when the button is released.

Playing Video Files

The DV2007 will not select video files regardless of whether a video file was the last file playing when the iPod was plugged into the radio.

To play a video file, press and hold the **AS/PS** button (11) for more than three seconds to deactivate the front panel control feature. The LCD will display "iPod Video" and the iPod can now be controlled directly, allowing you to select a video file. The video image will appear through the video output.

Repeat (3/RPT)

Press the **3/RPT** button (14) on the control panel (or the **REPEAT** button on the remote control) during disc play to continuously repeat the selected song. Press and hold **3/RPT** (14) > 3 seconds during disc play to continuously repeat the entire album/folder. Press **3/RPT** again to stop the repeat function.

Shuffle (4/RDM)

Press the **4/RDM** button (15) during disc play to play all songs in the current folder/album in random, shuffled order. Press and hold **4/RDM** (15) > 3 seconds during disc play to play the songs in all folders in random, shuffled order. Press **4/RDM** again to stop random play.

Searching Mode

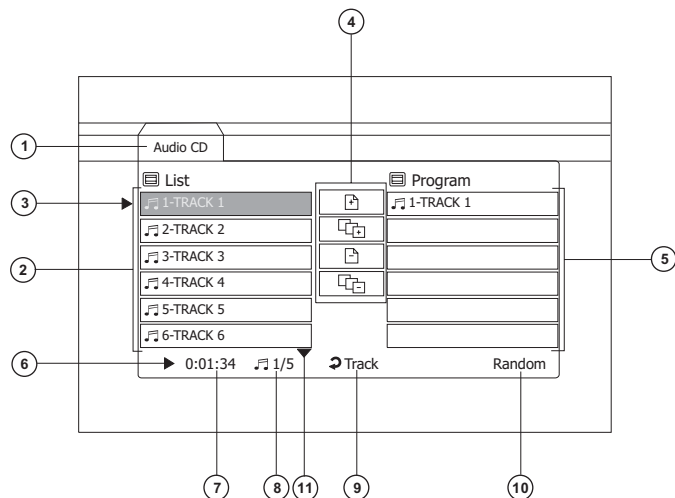
During iPod playback mode, press the **B** button (19) to enter iPod Searching Mode. Press the **B** button repeatedly to access search modes in the following order:

- Playlist
- Artist
- Album
- Song
- Genre

After selecting the desired search mode, press the volume control button (4) within 10 seconds to confirm the search mode. Rotate the rotary encoder knob to navigate through the Album, Artist or Songs contained on your iPod. Press the volume control button (4) to play the selected song. While in search mode, press **AS/PS** (11) to quickly return to the top level of the Album, Playlist, Genre, etc.

AUDIO CD OPERATION

When an audio CD is inserted into the player, the following image will appear on the TFT monitor.



1. Disc Type
2. Content List
3. Playing Mark
4. Program Mode
5. Program Memory Play List
6. Playing Status (play, resume stop, clear stop, pause, random)
7. Playing Time
8. Playing Track / Total Tracks
9. Repeat Function Indicator
10. Random Play Indicator
11. Next Available Page

Insert and Eject Disc

Insert a disc, label-side up, with the unit turned on. The total number of tracks will display on the LCD for about 2 seconds and the unit will play the first track on the disc. Press the eject button (2) to stop disc play and eject the disc. The unit does not have to be turned on to eject the disc.

Controlling Disc Playback

Track Select

Press the up >>| (21) or down |<< button (20) for less than one second to advance to the next track on the CD. The selected track number will appear on the display. *Press and hold* the up >>| (21) or down |<< button (20) for >1 second to fast forward or fast reverse through the disc. CD play starts when the button is released.

NOTE: When the last track finishes playing, the unit will automatically enter STOP mode. Press the 1/PAU button to start CD playback again.

Play/Pause Disc Playback (1/▶/⏸)

Press the 1/▶/⏸ button (12) on the control panel (or ▶/⏸ on the remote control) to suspend disc play. Press the 1/PAU button again to resume disc Play.

Stop Disc Playback (2/STOP)

Press the 2/STOP button (13) to enter "RESUME STOP MODE." Press the 1/▶/⏸ button (12) to resume playback from the previous location. Press the 2/STOP button twice consecutively to clear stop mode. With stop mode cleared, if the 1/▶/⏸ button is pressed, the disc will resume playback from the beginning of the disc.

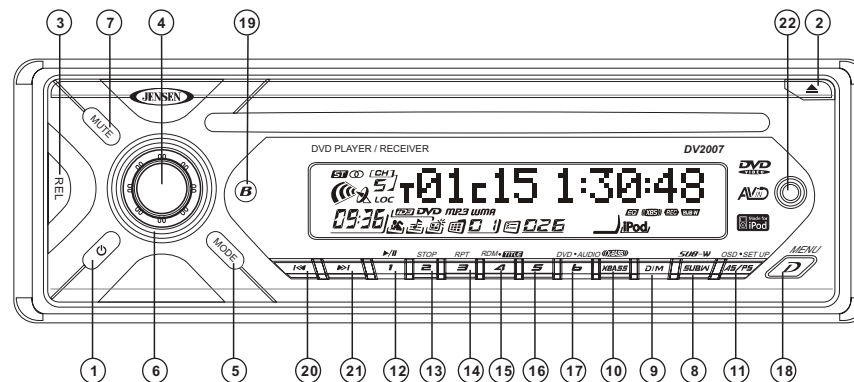
Repeat Play (3/RPT)

Press the 3/RPT button (14) on the control panel (or the REPEAT button on the remote control) during disc play repeatedly to activate Repeat Mode:

- Press 3/RPT once to repeat play the current track.
- Press 3/RPT twice to repeat play the whole disc.
- Press 3/RPT three times to turn repeat off.

Random Play (4/RDM)

Press the 4/RDM button (15) during disc play to play all tracks on a CD in random, shuffled order. Press 4/RDM again to stop random play.



PROGRAMMED MEMORY PLAYBACK

The DV2007 allows you to store CD, MP3 or WMA tracks in a favorites playlist for easy recall.

Menu Button Functions

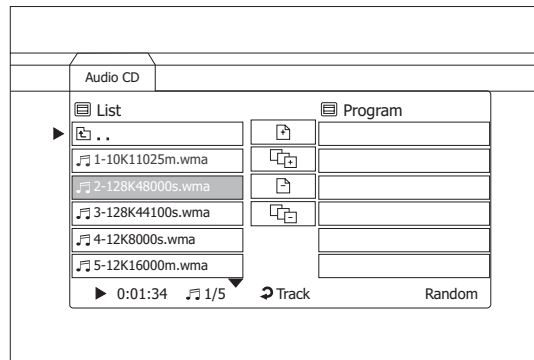
You can use the following control panel buttons to navigate the on-screen menus.

- Use the volume control knob (6) to move the cursor up/down and highlight fields.
- Use the up >>| (21) or down |<< (20) buttons to move the cursor left/right.
- Press the volume control button (4) to “ENTER” and confirm the selected item.

Remote control buttons are used in the following instructions.

Adding Files to the Playlist

1. Use ▲ (up) / ▼ (down) buttons on the remote control to navigate through the Play List and select a track.



2. Press the ► (Right) button on the remote control to select “Add” (⊕) and place the highlighted file in the Program list.
3. Press **OK** on the remote control to confirm the selection.
4. To program the entire disc into memory, press the ▼ (down) button to select “Add All” (⊕), then press **OK** to confirm the selection.

Playing Back Stored Files

1. Use the ► (right) button on the remote control to move to the “Program List” on the right side. Use the ▲ (up) / ▼ (down) buttons to navigate the memory list.
2. After highlighting the track you want to play, press **OK** to confirm the selection.

Deleting Stored Files

1. Use the ► (right) button on the remote control to move to the “Program List” on the right side. Use the ▲ (up) / ▼ (down) buttons to navigate the memory list.
2. Stop on the track you want to delete.
3. Use the ◀ (left) button to move to “Delete” (⊖), then press **OK** to confirm the selection.

You can select “Delete All” (⊖) to clear the entire Program Memory List at once.

MP3/WMA OPERATION

MP3 and WMA (Windows Media Audio) music files are digital audio files that are compressed to allow more files on a single CD. This unit can play MP3/WMA directly from files contained on a CD-R/RW using the buttons on the receiver (or optional remote) as described below. Many types of software are available for converting audio files into MP3/WMA formats. Jensen recommends *Nero*, *MusicMatch Jukebox* or *Roxio Easy CD Creator*. Depending on the media type and recording method, some CD-R/RW's may be incompatible with this unit. The unit supports playback of MP3/WMA and CDDA (CDA), Mixed-Mode CDs and CD-Extra (including multi-session discs), but **discs on which the session has not been closed will not play**.

Notes on MP3/WMA Play

This unit can play MP3 (MPEG1, 2, 2.5 Audio Layer 3) and WMA ver. 7 and 8. However, the MP3 recording media and accepted formats are limited. When writing MP3/WMA, pay attention to the following restrictions.

Acceptable Media

The MP3/WMA recording media acceptable to this unit are CD-ROM, CD-R and CD-RW. When using CD-RW, use full format rather than quick format to prevent malfunction.

Acceptable Medium Formats

The following formats are available for the media used in this unit. The maximum number of characters used for file name including the delimiter (".") and three-character extension are indicated in parentheses.

- ISO 9660 Level 1 (11 characters)
- ISO 9660 Level 2 (31 characters)
- Joliet (31 characters)

Up to 200 characters can be displayed in the long file name format. For a list of available characters, see the instruction manual of the writing software. The media reproducible on this unit has the following limitations:

- Maximum number of nested folders: 15
- Maximum number of files per disc: 796 (199 MP3+199 WMA+199 MPG+199 JPG)
- Maximum number of folders per disc: 199
- Maximum number of sessions per disc: 5

MP3/WMA written in formats other than those listed above will not play successfully and their file names or folder names will not be displayed properly.

MP3/WMA Encoder and CD Writer Settings

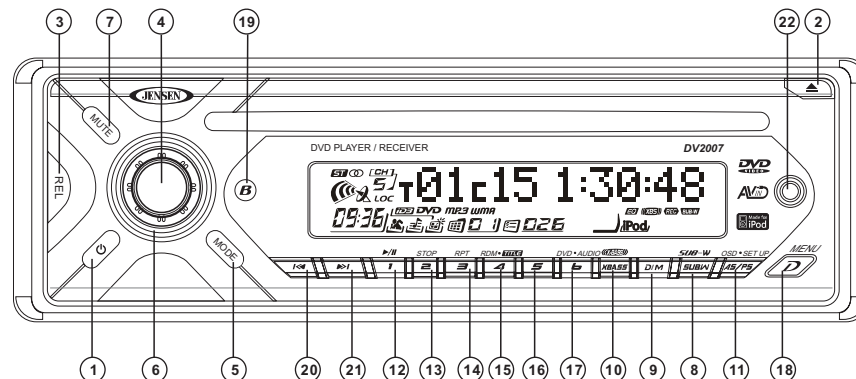
Use the following settings when compressing audio data in MP3 data with the MP3 encoder:

- Transfer bit rate: 32 - 320 kbps
- Sampling frequency: 32,44.1,48 kHz (WMA) 16,22.05,24,32,44.1, 48kHz (Mp3)

When using a CD writer to record MP3/WMA up to the maximum disc capacity, disable additional writing. To record an empty disc up to the maximum capacity at once, select the "disc at once" option.

Entering ID3 Tag

This unit supports ID3 tag versions 1.0 and 1.1.



File Select

Press the up >>>| (21) or down |<<< button (20) for less than one second to advance to the next track on the disc, or for more than one second to fast forward or fast reverse through the disc. Disc play starts when the button is released.

Repeat (3/RPT)

Press the **3/RPT** button (14) on the control panel (or the **REPEAT** button on the remote control) to repeatedly play the current file. Press **3/RPT** again to resume normal play. Press **3/RPT** for more than three seconds to repeatedly play all files in the current folder. Press **3/RPT** again for more than three seconds to resume normal play.

Random (4/RDM)

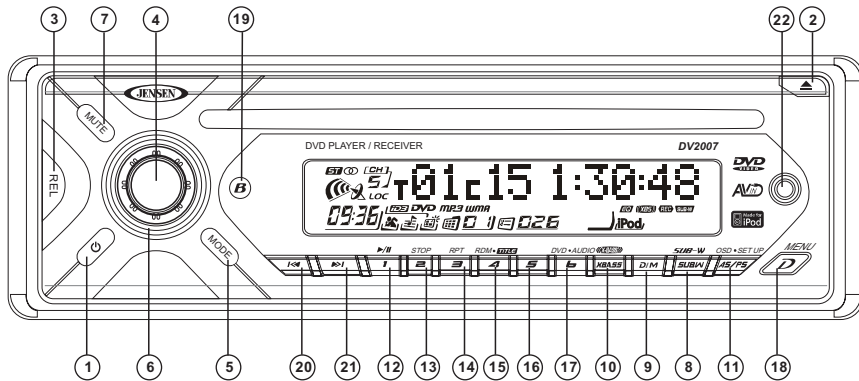
Press the **4/RDM** (15) button to randomly play all files on the disc. Press **4/RDM** again to resume normal play. Press **4/RDM** for more than three seconds to randomly play all files in the current folder. Press **4/RDM** again for more than three seconds to resume normal play.

DVD OPERATION

Once a DVD disc is inserted into the unit, the unit will automatically start playback from the beginning of the disc. The DVD MENU, ROOT or TITLE of the DVD disc will appear on the TFT monitor and "ROOT" will be displayed on the LCD panel.

DVD Menu Button Functions

During DVD playback, you can use the following buttons to navigate the DVD, Root, or Title menu of the disc.



Control Panel

- Use the volume control knob (6) to move the cursor up/down and highlight fields.
- Use the up >>| (21) or down |<< (20) buttons to move the cursor left/right.
- Press the volume control button (4) to "ENTER" and confirm the selected item.

Remote Control

- Use the directional buttons (<, >, ▲ and ▼) on the remote control to navigate the menu.
- Press the OK button to "ENTER" and confirm the selected item.

Controlling Disc Playback

When viewing the DVD or Root Menu, press the 1/▶/|| button (12) to choose the highlighted item on the menu. Once playback begins, the LCD will display the *Title: Chapter: Playback Time* in the following format: "T01C01 0:00:03".

Play/Pause Disc Playback (1/▶/||, ▶||)

Press the 1/▶/|| button (12) on the control panel (or the ▶|| button on the remote control) to suspend disc play. Press the 1/▶/|| button again to resume disc play.

Stop Disc Playback (2/STOP, ■)

Press the 2/STOP button (13) on the control panel (or the ■ button on the remote control) to enter "RESUME STOP MODE." While in "RESUME STOP MODE," press the STOP button again to resume playback from the previous location.

Press the 2/STOP button twice consecutively to clear stop mode. With stop mode cleared, if the 1/▶/|| button is pressed, the disc will resume playback from the beginning of the disc.

Chapter Select

Press the up >>| (21) or down |<< button (20) on the control panel or remote control to advance to the next or previous chapter on the disc.

Fast Forward/Reverse

Press the ▶▶ or ◀◀ button on the remote control to fast forward or fast reverse through the disc. Keep pressing and releasing the button to increase the rate from "2X" to "4X", "8X", 16X and "100X". Press >|| on the remote control or 1/▶/|| (12) on the control panel to resume normal playback.

NOTE: When playback of the last track has completed, the unit will automatically enter "STOP" mode. Press the >|| or 1/▶/|| button to start playback again.

Repeat Play (3/RPT)

Press the 3/RPT button (14) on the control panel (or the REPEAT button on the remote control) during disc play repeatedly to activate Repeat Mode:

- Press 3/RPT once to repeat play the current chapter.
- Press 3/RPT twice to repeat play the current title.
- Press 3/RPT three times to turn repeat off.

Bookmark (MARK)

The bookmark feature allows you to mark selected scenes for quick recall. To bookmark a scene, press the MARK button on the remote control. To recall the scene, press MARK again, and then press >|| or the volume control button (4) to begin playback from the marked point.

Zoom

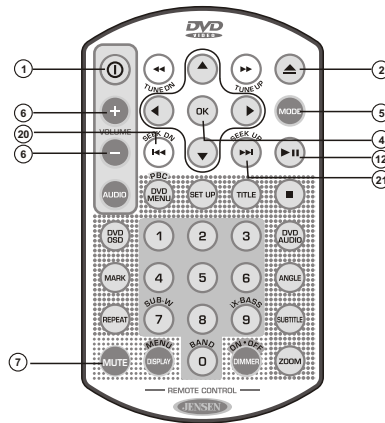
The zoom feature allows you to magnify a specific area of a DVD image. Press the ZOOM button to enlarge the image by 4X. Press again to enlarge the image by 16X. Press the directional buttons to move to the area you want to magnify. Press ZOOM a third time to cancel the zoom function and resume normal playback.

Title Menu (4/RDM, TITLE)

Press the 4/RDM.TITLE button (15) on the control panel (or the TITLE button on the remote control) to access the title menu.

Subtitle

Press the SUBTITLE button on the remote control to display the current subtitle language information in the top left corner of the screen. Press SUBTITLE again to change to the next available subtitle language on the disc, if available. Repeat to access additional subtitle languages.



Angle

Press the **ANGLE** button on the remote control to display the current angle information in the top left corner of the screen. Press **ANGLE** again to switch to the next available camera angle on the disc. Repeat to access additional camera angles, if available.

DVD Audio (6/DVD AUDIO, DVD AUDIO)

Press the **6/DVD AUDIO** button (17) on the control panel (or the **DVD AUDIO** button on the remote control) to choose from available audio languages on the current disc. Each time you press the **6/DVD AUDIO** button, the language will change to the next available language. The LCD will display information about the selected audio language as "DVD Audio 01", with the number being dependent on the current selection and number of languages available on the disc. The selected language and audio output information will be indicated in the top left corner of the screen.

OSD (AS/PS, DVD OSD)

Press the **AS/PS** button (11) on the control panel (or the **DVD OSD** button on the remote control) to bring up the console menu. The console menu is only available for DVD discs, and the menu content may vary according to disc type.

After accessing the OSD menu, you will have ten seconds to make adjustments or the menu will time out and return to the previous screen. To return to the previous screen immediately, press the **AS/PS** button.

Table 2: DVD OSD (Console) Menu

Menu Item	On Screen Display	Function	Selection Method
DVD Video			
Title	◀ 1/17 ▶	Displays the current Title number and the total number of disc titles. You can jump to the desired title number.	Press the left/right arrow keys or enter the digit directly. Press OK to confirm.
Chapter	2/32	Displays the current chapter number and the total number of chapters on the disc. You can jump to the desired chapter number.	Press the left/right arrow keys or enter the digit directly. Press OK to confirm.
Time	0:01:45	Displays elapsed playing time. You can directly input the starting playback position.	Select digit. Press OK to confirm.
Audio and digital audio output	1.ENG D 3/2.1	Displays the current audio language and digital audio output. You can switch to other available audio languages and digital audio outputs.	Press the left/right arrow keys or press the DVD AUDIO button.
Subtitle	OFF	Displays the current subtitle language used. You can switch to another available subtitle language.	Press the left/right arrow keys or press the SUBTITLE button.

Table 2: DVD OSD (Console) Menu

Menu Item	On Screen Display	Function	Selection Method
Angle	1/1	Displays the current angle and number of available angles. You can switch to other angles, if available.	Press the left/right arrow keys or press the ANGLE button.
DVD Audio			
Group	1/17	Displays the current group number and total number of groups available. You can select the desired group number.	Press the left/right arrow keys or enter the digit directly. Press OK to confirm.
Track	2/32	Displays the current track number and total number of tracks available. You can select the desired track number.	Press the left/right arrow keys or enter the digit directly. Press OK to confirm.
Time	0:01:45	Displays elapsed playing time. You can directly input the starting playback position.	Select digit. Press OK to confirm.
Audio and Digital Audio Output	1.ENG D 3/2.1	Displays the current audio language and digital audio output. You can switch to other available audio languages and digital audio outputs.	Press the left/right arrow keys or press the DVD AUDIO button.
Subtitle	OFF	Displays the current subtitle language used. You can switch to another available subtitle language.	Press the left/right arrow keys or press the SUBTITLE button.
Angle	1/1	Display the current angle when the AVTT is being played. You can switch to other available angles.	Press the left/right arrow keys or press the ANGLE button.
Page	1/1	Displays the current page number when the AOTT is being played. You can switch to other pages.	Press the left/right arrow keys or press the ANGLE button.

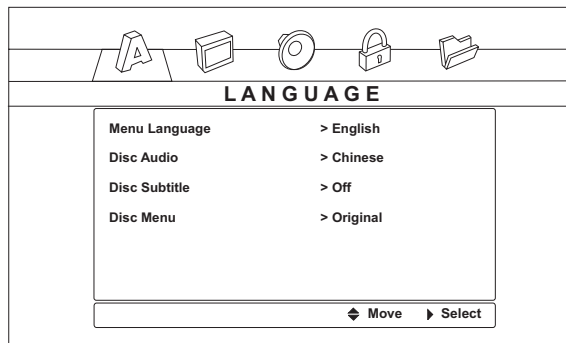
Set Up Menu (AS/PS/SET UP)

Press and hold the **AS/PS/SET UP** button (11) on the control panel (or the **DVD OSD** button on the remote control) to bring up the System Setup menu.

Menu navigation methods are listed below:

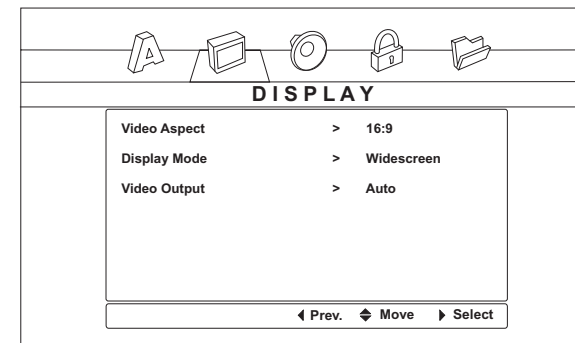
- When the cursor is located at the top of the on-screen display, press the left/right arrow keys to switch between different pages.
- Press the down arrow key to move to the setup page, and then press the up/down arrow keys to select the setting you want to change.
- Open the selection list by pressing the right arrow key with the selected item highlighted. You can change the selection by using the up/down arrow keys and then pressing the **OK** button or volume control knob (4).

LANGUAGE Menu



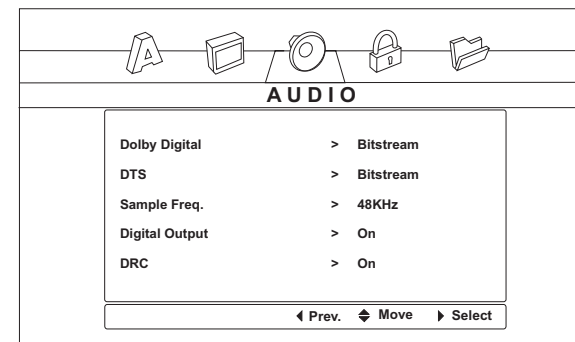
- **Menu Language:** Menu Language is used to select the setup menu and OSD (On-screen Display) language used during the disc playback and instructional operations. The language selection includes: English, Spanish, Greek, Swedish, Dutch, Italian, and Poland.
- **Disc Audio:** When DVD disc playback begins, this unit will automatically select the default audio language of the unit. Please note that if the language recorded in the disc is not available in the language list on the disc menu, the language originally recorded on the disc will be used. If the disc is equipped with a specific playback language, this specific language will be used.
- The functions of **Disc Subtitle** and **Disc Menu** are similar to that of Disc Audio. They are used to set a default playback language value for the DVD subtitle and the Menu display language.

DISPLAY Menu



- **Video Aspect:** The 4:3 options is used to display image data in wide-screen format on a normal TV set. The 16:9 options is used when the DVD player is connected to a wide screen TV in Full Mode - the screen will display pictures in full size.
- **Display Mode:** The Display Mode can only be modified when the TV Display mode is set to 4:3.
 - **Letterbox:** This image option will display the panoramic frame. Black bars may appear at the top and bottom of the screen.
 - **Panscan:** This image option will display pictures with the left and right edges of the picture cut off so it fills the entire screen. This mode is selected for a normal TV set display and when the picture is displayed in panoramic view and complete scan format.
- **Video Output:** Select from the following Video output options: PAL, NTSC, or Auto default.

AUDIO Menu

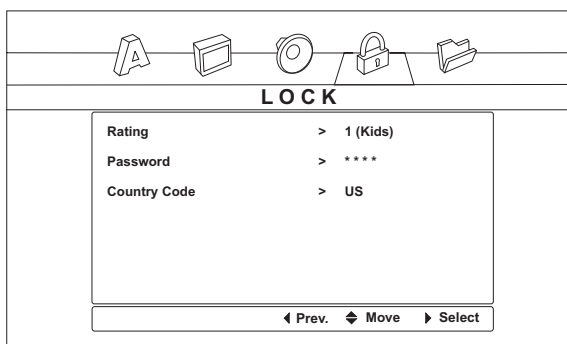


NOTE: The Dolby Digital, DTS and Digital Output features listed on the AUDIO menu ARE NOT SUPPORTED with this model.

- **Sample Freq.:** The Sample Freq. setting offers two options:

- If the connected receiver or amplifier is incapable of processing digital input with the sampling frequency of 96KHz, it will select 48KHz as the sampling frequency to compress the signal to a standard signal. After the 48KHz frequency is selected, the unit will automatically convert the 96KHz signal into the 48KHz signal, allowing your system to execute decoding on the signals.
- If the receiver is capable of outputting digital signals with a sampling frequency of 96KHz, it will select 96KHz, allowing the signal to be output as is. After the 96KHz frequency is selected, the unit can process all signals without any further operations.
- **DRC (Dynamic Range Compression):** Select "ON" to turn on the Dynamic Range Compression so that dialogue remains clear even at low volume levels. Select "OFF" to turn off the Dynamic Range Compression and have the soundtrack presented exactly as it was created.

LOCK Menu



- **Rating:** The Rating item is used to set the rating level.
 - Before accessing this feature, the system will request a password. The default password is "1234". After the password is entered correctly, the parental control rating level can be changed.
 - If you did not already set a password for Parental Control, the system will request that you input a new password.
 - After the new password is entered successfully, press the up/down arrows to change the parental control rating level. Including the Unlock level, there are a total of 9 levels of parental control.
- **Password:** The Password item is used to set a new password or change the old one. Before accessing this feature, the system will request the old password first. The default password for this unit is "1234". The new password can not be entered unless the old password is input correctly.
- **Country Code**

OTHERS Menu

You can use the "OTHERS" menu to modify settings for Load Default and Screen Saver.

Exiting the Setup Menu

Press the **AS/PS** button or the **1/▶/||** or **▶||** button to exit the System Setup menu and resume DVD playback.

SPECIFICATIONS

DVD/CD

Signal to Noise Ratio ≥ 90 dB
 Dynamic Range ≥ 90 dB
 Frequency Response 20Hz to 20KHz +/- 3dB
 Channel Separation 2 Channel (Stereo) > 60 dB @ 1KHz

Video

Color System NTSC/PAL
 Video Output Composite 1.0 Vp-p (+/- 0.2) 75 - ohm
 Video Input Composite 1.0 Vp-p (+/- 0.2) 75 - ohm

Audio

Max Output Power 40W x 4 channels
 Load Impedance (speakers) 4 ohms
 Line Out Level/Load 400mV/10k ohm load
 Line Out Impedance 200 ohm

Auxiliary Input

Frequency Response 20Hz to 20KHz -3dB
 Input Maximum Voltage 1200mV
 Input Impedance 4.7k ohm

FM Radio

Frequency Range 87.5-107.9 MHz (200 kHz Space)
 Usable Sensitivity ≤ 15 dB at S/N 30 dB
 Stereo Separation 25 dB at 1KHz
 S/N Ratio 50dB

AM/MW

Frequency Range 530-1710 (10 kHz Space)
 Usable Sensitivity ≤ 40 dB at S/N 20dB
 S/N Ratio 40dB

General

Operating Voltage DC 11 -14.4
 Grounding System Negative Ground
 Fuse 15-Amp Mini ATM Type
 Operating Temperature 0°C to 50°C
 Unit Mounting Angle $< 30^\circ$

TROUBLESHOOTING

Symptom	Cause	Solution
No power	The vehicle ignition is not on	If the power supply is properly connected to the vehicle accessory terminal, switch the ignition key to "ACC".
	The fuse is blown	Replace the fuse.
Disc cannot be loaded or ejected	Presence of CD disc inside the player	Remove the disc in the player and insert the new one.
	Inserting the disc in reverse direction	Insert the compact disc with the label facing upward.
	Compact disc is extremely dirty or disc is defective	Clean the disc or try to play a new one.
	Temperature inside the vehicle is too high	Wait until the ambient temperature returns to normal.
No sound	Condensation	Leave the player off for an hour or so, then try again.
	Volume is too low	Adjust volume to audible level.
The operation keys do not work	Wiring is not properly connected.	Check wiring connections.
	Control panel not properly installed	Reinstall control panel.
Sound skips	The built-in microcomputer is not operating properly due to noise	Press the RESET button.
	The installation angle is more than 30 degrees.	Adjust the installation angle to less than 30 degrees.
Cannot tune to radio station, auto-seek does not work	The disc is dirty or defective.	Clean the disc and try to play again or use new disc.
	The antenna cable is not connected.	Insert the antenna cable firmly.
ERROR	The signals are too weak.	Select a station manually.
	Mechanism Error	Press the eject button to correct the problem. If the error code does not disappear, consult your nearest service dealer.
Disc Error	Disc is dirty/scratched/upside down.	Replace the disc.



ASA Electronics Corporation

www.asaelectronics.com

© 2006 ASA Electronics Corporation

v.071806

Free Manuals Download Website

<http://myh66.com>

<http://usermanuals.us>

<http://www.somanuals.com>

<http://www.4manuals.cc>

<http://www.manual-lib.com>

<http://www.404manual.com>

<http://www.luxmanual.com>

<http://aubethermostatmanual.com>

Golf course search by state

<http://golfingnear.com>

Email search by domain

<http://emailbydomain.com>

Auto manuals search

<http://auto.somanuals.com>

TV manuals search

<http://tv.somanuals.com>