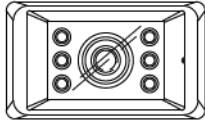


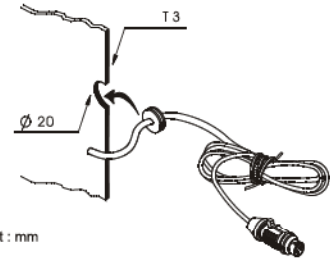
Voyager®

EIA SYSTEM VBCS150



- VBCS150 Features:**
- High Resolution, 1/3" CCD B/W Camera
 - Compact / Lightweight Aluminum Die Cast Body
 - Waterproof Design
 - Microphone
 - Normal / Mirror Image switch
 - Adjustable Mounting Angle
 - Wide Angle Lens
 - Aluminum Bracket and SS. Hardware included
 - IR LED Low Light Enhancement

Recommended grommet Hole & Mtg. thickness

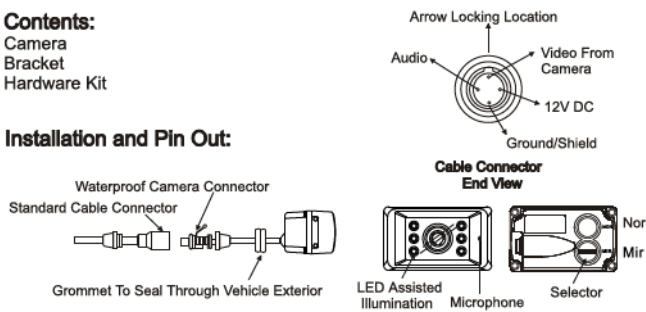


Unit : mm

Contents:

Camera
Bracket
Hardware Kit

Installation and Pin Out:



Camera to bracket hardware

Specifications	Qty
Hex Socket Head M4X10L Stainless screws	4
Spring Washers 4X7X1.2mm Stainless	4
Flat Washers 4x10x.5mm Stainless	4
Allen wrench	1

Bracket to vehicle hardware

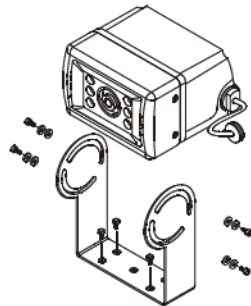
Specifications	Qty
Tapping P/H W/Washer 5X16mm Stainless screws	4
Machine Screw T/H M5X16mm Stainless	4
Locking nuts M5 stainless	4

Installation

Screw For Use

Hex Socket Head M4X10L Stainless screws
Spring Washers 4X7X1.2mm Stainless
Flat Washers 4x10x.5mm Stainless
Allen wrench

Tapping P/H W/Washer 5X16mm Stainless screws
Machine Screw T/H M5X16mm Stainless
Locking nuts M5 stainless

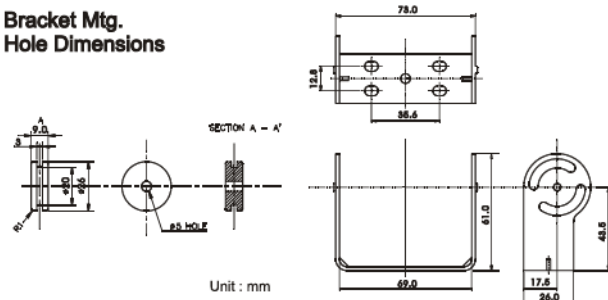


Specifications

Signal System : EIA
Image Sensor : 1/3" B/W CCD W/electronic auto-iris
270K pixels
Viewing Angle : 120°(H), 90°(V)
Outer Dimensions : 68 (W) X 40 (H) X 64 (D) mm
2.7 (W) X 1.6 (H) X 2.6 (D) Inch
Weight : 0.3kg/ 0.6lbs

* Specifications are subject to change without notice.

Bracket Mtg. Hole Dimensions



Unit : mm

ASA
AUDIOVOX SPECIALIZED APPLICATIONS, L.L.C.
www.asaelectronics.com

Free Manuals Download Website

<http://myh66.com>

<http://usermanuals.us>

<http://www.somanuals.com>

<http://www.4manuals.cc>

<http://www.manual-lib.com>

<http://www.404manual.com>

<http://www.luxmanual.com>

<http://aubethermostatmanual.com>

Golf course search by state

<http://golfingnear.com>

Email search by domain

<http://emailbydomain.com>

Auto manuals search

<http://auto.somanuals.com>

TV manuals search

<http://tv.somanuals.com>