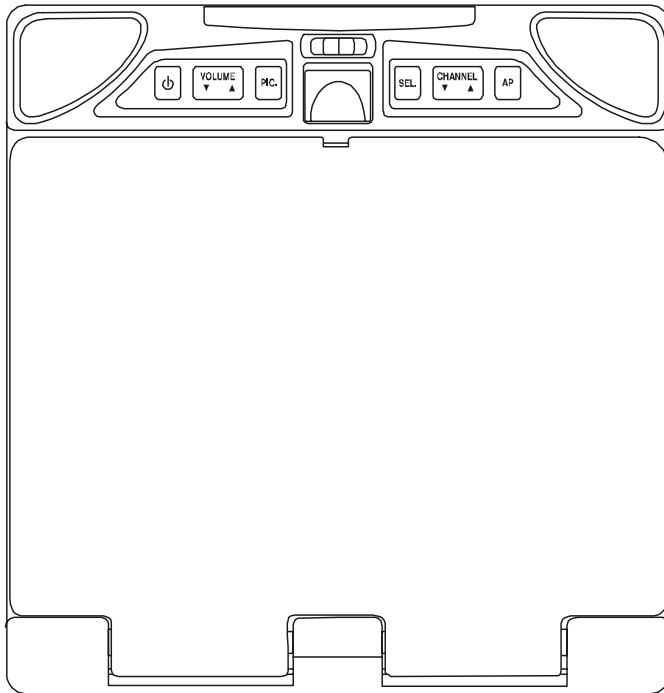


LCM0802TV

Owner's Manual



Audiovox Specialized Applications, LLC
23319 Cooper Dr.
Elkhart, IN 46514
1-800-688-3135
www.asaelectronics.com
US PATENT # D413, 856

Important Notice

It is unlawful in most jurisdictions for a person to drive a motor vehicle which is equipped with a television viewer or screen that is located in the motor vehicle at any point forward of the back of the driver's seat, or that is visible, directly or indirectly, to the driver while operating the vehicle. In the interest of safety, the LCM0802TV should never be installed where it will be visible, directly or indirectly, by the operator of the motor vehicle.

Please note that the state of Rhode Island forbids the installation of such a device in a motor vehicle.

Television Reception

This entertainment system is designed primarily for viewing pre-recorded movies or playing video games. Television reception in a moving vehicle will be limited and in some areas will not be possible due to weak and variable signal strength. Television viewing in a stationary vehicle will result in an improvement, but may still be marginal due to strength. The quality of the picture will not be consistent with home TV reception. Reception may be affected by the weather and distance from the TV station. A weak signal may cause the picture to roll, be snowy, or cause some color loss.

Congratulations on your purchase of the Flexvision LCM0802TV drop down TV/Video monitor. The LCM0802TV has been designed to give you and your family many years of video entertainment in the mobile environment. Please read the directions that follow to familiarize yourself with the product and to ensure that you obtain the best results from your equipment.

Please note: Installation options vary, see the individual owner's manuals for each component in your system to obtain a full understanding of each component's operation.

Safety Precaution

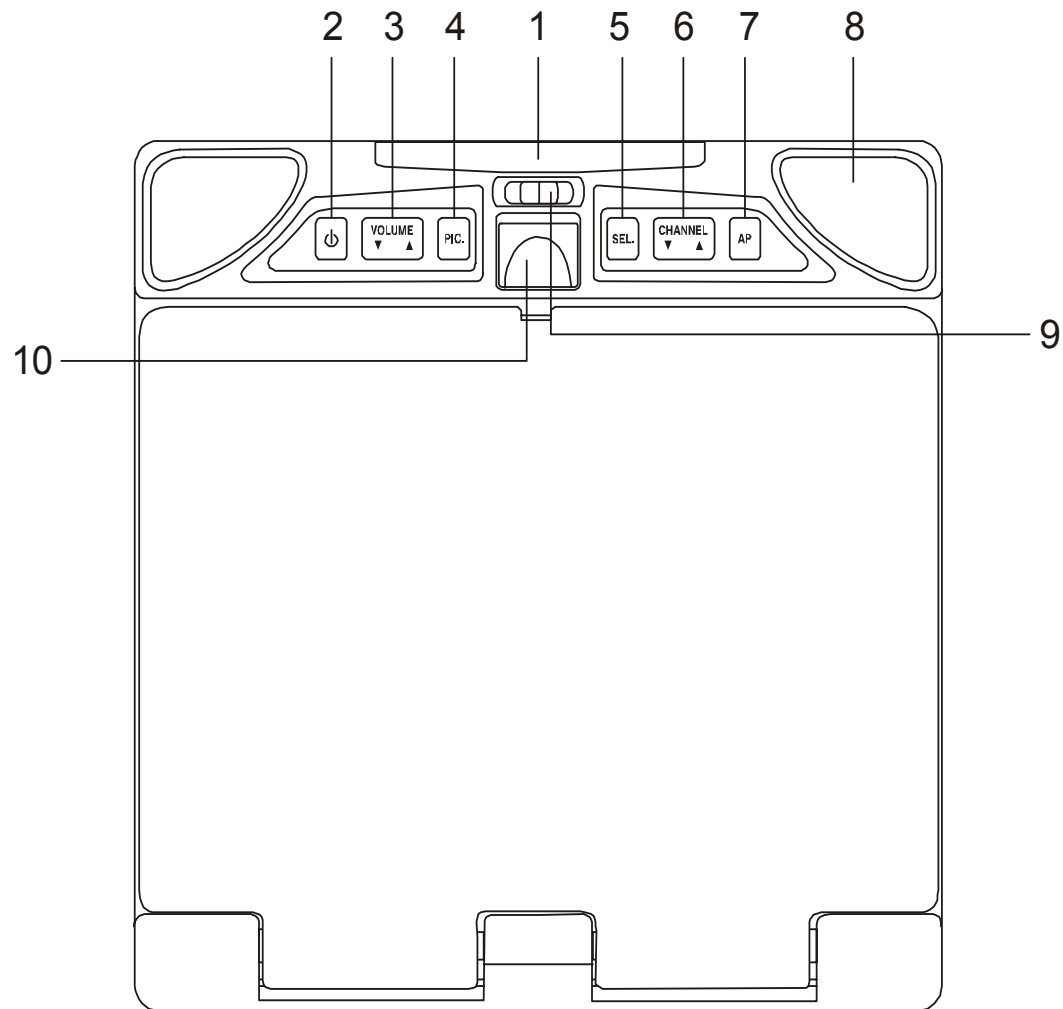
For safety reasons, when changing video tapes it is recommended that the vehicle is not in motion, and that you do not allow children to unfasten seat belts to change tapes or make adjustments to the system. System adjustments can be accomplished using the remote control unit, while seat belts remain fastened. Enjoy your Flexvision entertainment system but remember- safety of all passengers remains the number one priority.

FEATURES

- 8" TFT (Thin Film Transistor) Active Matrix LCD (Liquid Crystal Display) Monitor
- OSD (On Screen Display) for control of Picture Quality and Functions
- Full Function Remote Control
- Television Tuner
- Plug in RF Transmitter for wireless RF Headphones
- Remote Sensor eye
- Three Audio / Video Sources
- Speaker Amplifier
- Back-lit Controls for Low Light Operation

FRONT PANEL FEATURE

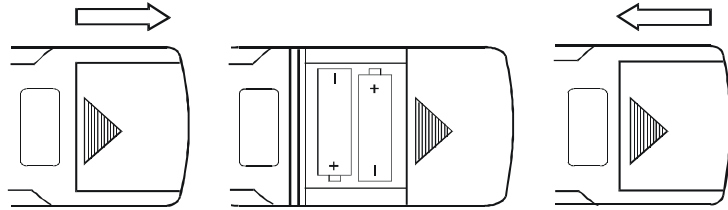
Figure 1



FRONT PANEL FEATURES – See Figure 1

1. **Sensor Eye** – Allows the remote control to operate the LCM0802TV's OSD system (On Screen Display), volume to wired headphone jacks (and optional external speakers), and for control of Video Cassette Player and other accessories.
2. **Power Button** – (Bright red when system is ON, dim when system is OFF).
3. **Volume Up/Down** – Controls volume to headphone jacks and external speakers if connected.
4. **Picture Select** – Each time this button is pressed, the screen picture adjustment display cycles through “adjustment bars” for CONTRAST, BRIGHTNESS, COLOR, and TINT. Once the desired adjustment bar is displayed, use the VOLUME UP/DOWN buttons to adjust the setting. The display will automatically turn off if no adjustments are made within 6 seconds, or if any other button is depressed.
5. **Select** – Used to select on of the three A/V sources.
6. **Channel Up/Down** – Changes the TV channel.
7. **Auto Pro Switch** – Auto Program used to program local channels into TV memory. Press when vehicle is in a new location.
8. **Dome Lights** – Provide additional illumination.
9. **Three position Dome Light Switch**
 - Auto – Automatically switched on the dome lights in conjunction with the vehicle's interior illumination.
 - Off – The Dome lights will not turn on in this position.
 - On – Turns on the Dome lights.
10. **Screen release** – Slides in the direction of the arrow to release the drop down screen.

REMOTE CONTROL OPERATION



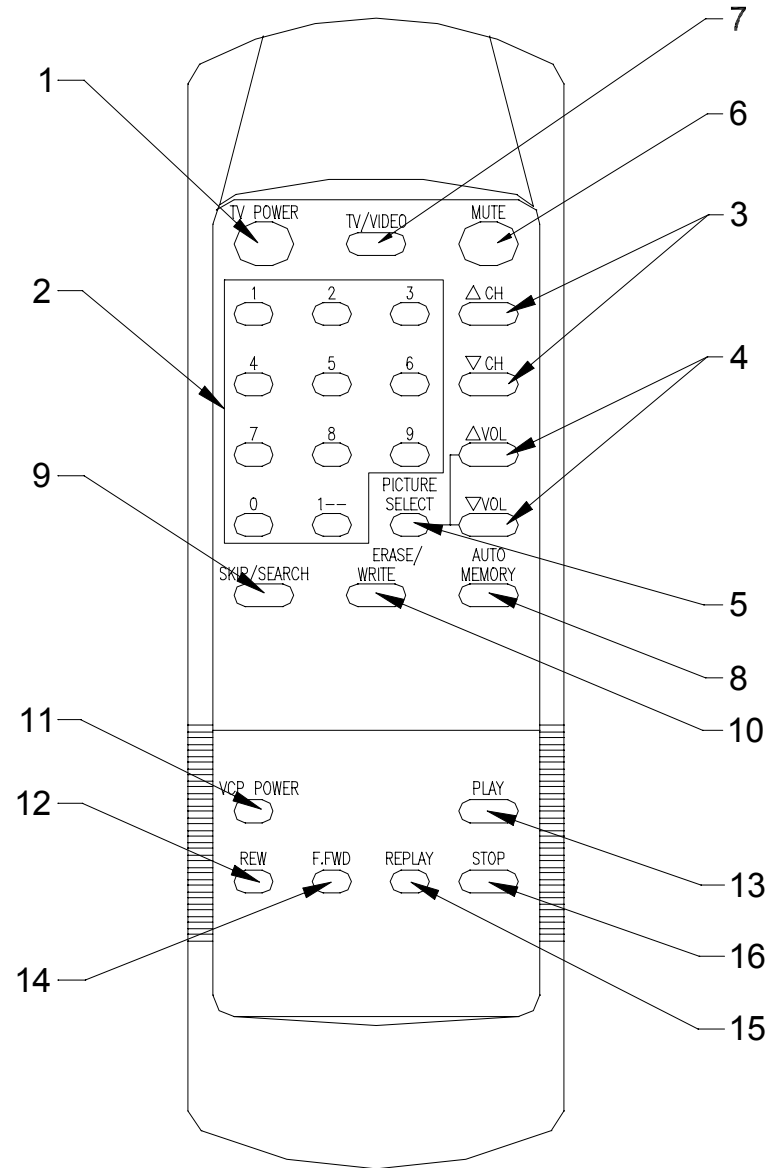
BATTERY INSTALLATION

Before attempting to operate your Remote Control, install the batteries as described below.

- 1) Turn the remote control face down. Press down on the ridged area of the battery cover, and slide it off.
- 2) Install two "AAA" batteries as shown. Make sure that proper polarity (+ or -) is observed.
- 3) Slide the cover back until it clicks into position.

The remote control will operate the LCM0802TV, Flexvision Televisions and Video Cassette Players. It is not a universal remote control and will not control equipment from other manufacturers.

If a universal remote control is used with the LCM0802TV, choose the remote control encoding scheme for Action Televisions when programming the remote.



Remote Controlled TV Functions

1. POWER ON/OFF

Press this button to turn the LCM0802TV on. The channel number or current video source will be displayed on screen, and the picture will appear in a few seconds. Press the button again to turn the LCM0802TV off.

2. DIRECT ACCESS (0-9) BUTTONS

Use these buttons to make a direct channel selection. The channel number chosen will be displayed on the screen for about 4 seconds. The direct access is carried out with 0-9 keys (0-99CH). The "1__" key will not function as it is only used for cable channels above 99.

3. CHANNEL UP/DOWN BUTTONS

Use these buttons to advance to the next higher or lower channel. See also: SKIP/SEARCH BUTTON.

4. VOLUME UP/DOWN BUTTONS

Use these buttons to raise or lower the volume level of the external speaker if installed. They are also used to make adjustments in picture select mode.

Note: These buttons will not affect the volume of wireless headphones or a wired RF modulator. When using these devices the volume must be adjusted with the headphone volume control or with your radio's volume control. (See page 11,

Headphones, or page 12, Wired FM Modulator).

5. PICTURE SELECT BUTTON

Each time this button is pressed, the screen picture adjustment display cycles through "adjustment bars" for CONTRAST, BRIGHTNESS, COLOR, and TINT. Once the desired adjustment bar is displayed, use the VOLUME UP/DOWN buttons to adjust the setting. The display will automatically turn off if no adjustments are made within 6 seconds, or if any other button is depressed.

6. MUTE BUTTON

Press this button to shut off the sound at the headphone stations. The screen will display the volume adjustment bar for 6 seconds, indicating that the sound has been turned off. Pressing the button again restores sound to the previously set level. The mute feature may also be released by pressing the VOLUME UP/DOWN buttons.

7. TV / VIDEO BUTTON

Any video equipment connected to the AUDIO/VIDEO inputs can be used with the TV by pressing this button. Each time the button is pressed, the Audio/Video source will change in the following sequence VIDEO1, VIDEO2, and TV.

8. AUTO MEMORY BUTTON

When the AUTO MEMORY BUTTON is depressed, all channels in TV mode are searched and tuned; all channels with video signals detected are automatically stored. Please refer to page 2 for more information on TV reception.

9. SKIP/SEARCH BUTTON

This button selects between SKIP and SEARCH mode. In "SKIP mode" the TV only stops on channels that are programmed into memory when the CHANNEL UP/DOWN buttons are used. When the SKIP is turned off, the TV will only stop on all active channels.

10. ERASE/WRITE BUTTON

When tuned to a channel press this button to store or erase the channel from memory. The stored channel numbers are displayed in "GREEN" on the screen, and the non-stored channels are in "RED". When skip mode is on, the LCM0802TV will tune to only the stored channels when using the CHANNEL UP/DOWN buttons.

REMOTE CONTROLLED VCP FUNCTIONS

These features can only be used with a Flexvision Video Cassette Player, if this option was installed with your video package.

11. POWER BUTTON

This button is used to turn the VCP on and off.

12. "REW" REWIND BUTTON

If this button is pushed while the tape is stopped, the tape will rewind. If this button is pushed while the tape is playing, the VCP will go into rewind search mode. For more information consult the Audiovox VCP owner's manual.

13. PLAY BUTTON

Press this button to activate play mode while a tape is loaded into the VCP. This button may also be used to disengage search and pause modes. For more information, consult the VCP owner's manual.

14. "FFWD" FAST FORWARD BUTTON

If this button is pushed while the tape is stopped, tape will fast forward. If this button is pressed while the tape is playing, the VCP will go into fast forward search mode. For more information on the search feature of the VCP, consult the VCP owner's manual.

15. REPLAY BUTTON

Pressing this button will rewind the tape and immediately begin playback when the tape is fully rewound.

16. STOP BUTTON

Press this button to stop the tape.

CHANNEL TUNING SETUP

In order to easily access all available channels, it may be necessary to perform channel auto-programming whenever the vehicle's geographic location has changed, i.e. city to city, weak signal area.

1. Press the AUTO MEMORY button on the remote control unit or the AUTO PROGRAM button on the flip down video unit. You will see the TV cycle through all it's channels. The built-in microprocessor will automatically note each channel that is actively broadcasting in your area.
2. (A) To tune only strong clear channels with the CHANNEL UP/DOWN buttons, press the SKIP/SEARCH button on the Remote Control Unit until "SKIP MODE ON" is displayed on the bottom of the screen. The TV will now tune only to strong active channels when the UP or DOWN buttons are used on the monitor or the remote control.
(B) To tune to weak or marginal channels with the CHANNEL UP/DOWN buttons, press the SKIP/SEARCH button on the Remote Control Unit until "SKIP MODE OFF" is displayed on the bottom of the screen. Tune to the desired channel using the CHANNEL UP/DOWN buttons or go directly to the channel by using the 0-9 buttons on the Remote Control.

3. To ERASE a channel, press the ERASE/WRITE button on the Remote Control Unit until "MANUAL MEMORY XX ERASE" is displayed on screen. To STORE a channel, press the button until the MANUAL MEMORY XX ADD is displayed on screen.

Note: Please refer to page 2 for more information on TV reception.

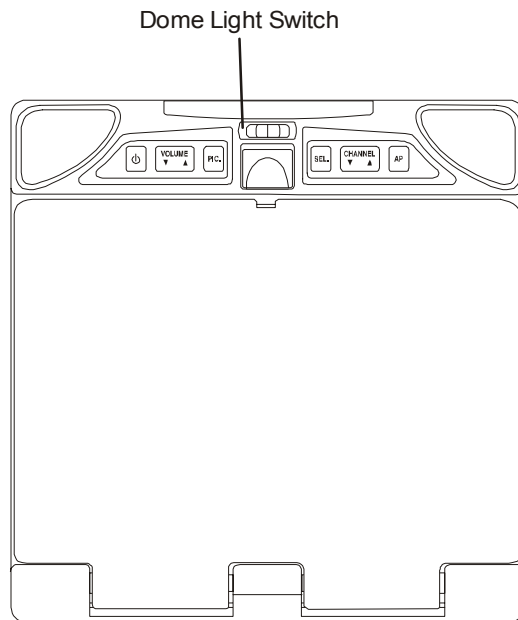
TURNING THE LCM0802TV ON OR OFF

1. Sliding the screen release lock forward viewing will unlock the screen and it will drop down slightly. (Pivot the screen downward until a comfortable angle is reached). After the unit has been turned on and displaying a picture, adjustment to the viewing angle can be made by pivoting the screen to optimize the picture quality. The internal friction detent will hold the screen in position while the system is in use.
2. Pressing the power button on the pod or remote will alternately turn the system on or off. When in use the internal back lighting will illuminate the controls.
3. Remember to turn the unit off and pivot the LCD to the locked position when not in use.

OPERATION

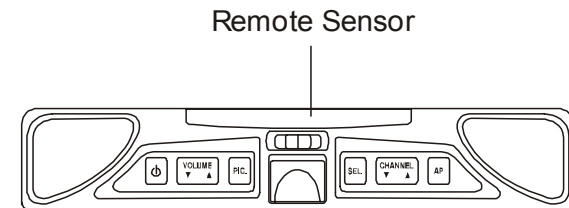
Overhead Dome Lights

This lights integrated into the LCM0802TV are controlled by a three position slide switch. Sliding the switch to the on position will turn the lights on. The off position will prevent the lights from turning on at all times and the auto position will allow the lights to turn on and off with the vehicle's interior lighting. Do not leave the vehicle unattended with the dome light switch in the on position, as this could result in a discharged battery.



Remote Sensor

The LCM0802TV incorporates an infrared sensor, which relays the signals from the remote control to allow the LCM0802TV and VCP to be controlled simply by pointing it's remote control at the remote sensor. This provides control of auxiliary equipment such as an Flexvision Video Cassette Player. The infrared sensor can relay signals from any manufacturer's remote control to it's respective component connected to the Video 1 and 2 inputs, such as a DVD player. In this case you must use the remote control supplied with the DVD player.



OPTIONAL ACCESSORIES

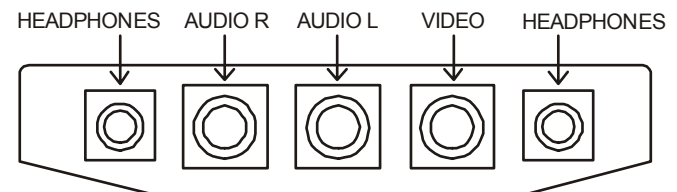
Wireless Headphones

The LCM0802TV includes a RF transmitter (P/N WUX) for use with optional Flexvision wireless headphones. Tuning the headphone switch on, and wearing them activates the internal micro switch, (which includes a tuning knob to tune into the preset frequency on the RF transmitter), which will activate the internal RF receiver and the volume can be adjusted separately with the controls on the headset. See the documentation accompanying your Flexvision wireless headphones.

Auxiliary A/V Stereo Inputs Jack

The LCM0802TV may be equipped with an auxiliary A/V stereo input connector (optional). These inputs are provided to facilitate the temporary connection of optional audio/video equipment, such as a camcorder or video game system. To play a source with these inputs, an RCA patch cord is required to connect the audio/video signals to their respective jacks. Mono audio sources will require the use of an RCA Y-cable (P/N 0892165) to connect to both right and left inputs, if patch cords are installed into the AUX inputs, the AUX INPUT 2 will be temporarily bypassed. Once the connections have been made, turn the LCM0802TV on and press the source button on the LCM0802TV or the TV/Video button on the remote control until "Video 2" is displayed on the screen. The unit will now play the audio and video signals from the accessory connected. The remote control will not operate the accessory components.

LCM0802TV Jack Panel



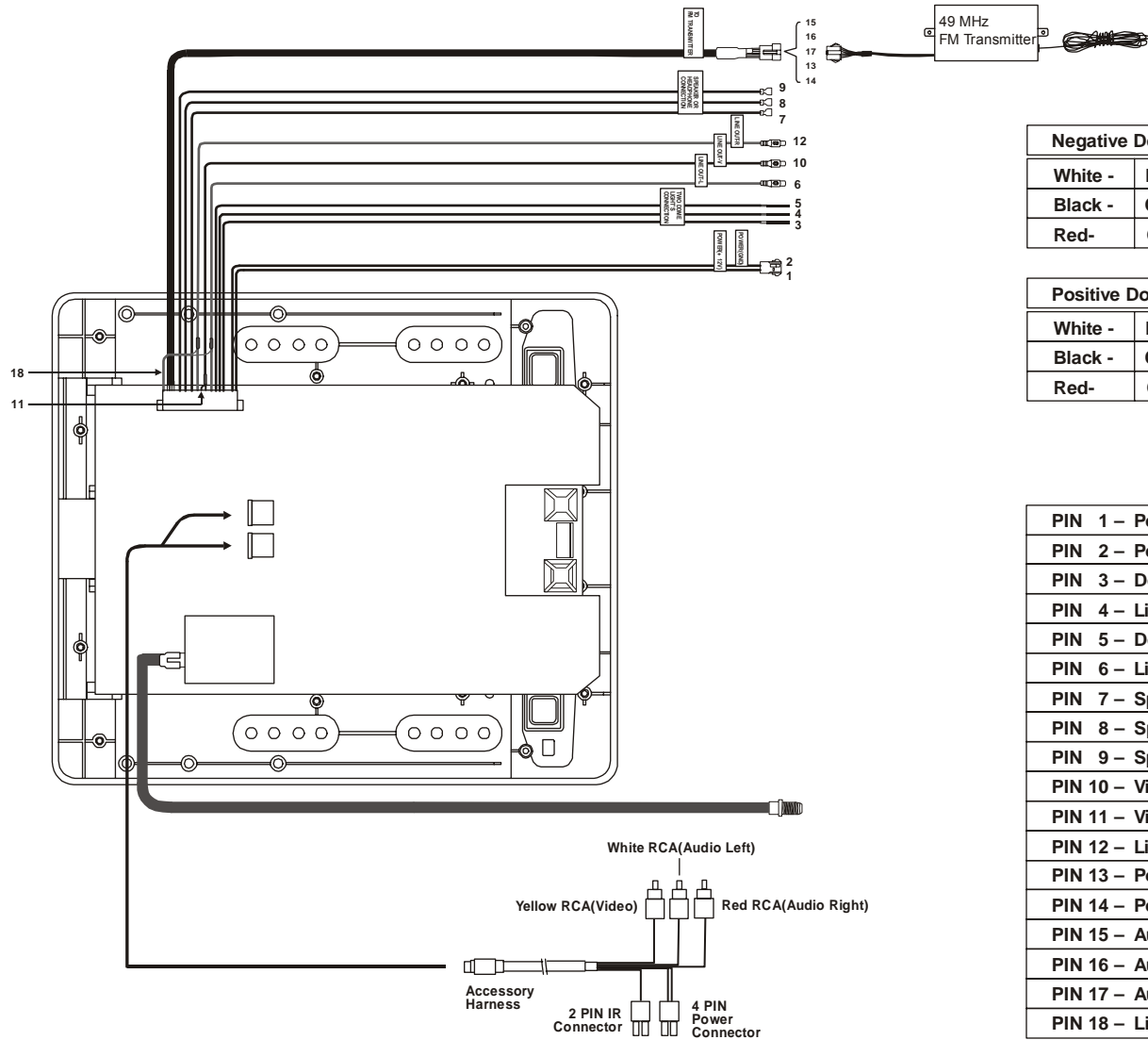
Video Output

The LCM0802TV provides a video output for an optional video monitor(s). This output will provide a video signal that duplicates the signal displayed by the LCM0802TV to an additional monitor or video display. Please see your installer for more information.

Flexvision Video Cassette Player (Aux Video 1)

In most installations a VCP will be connected to the "Video 1" input. To view a video cassette, turn the AVP7000/ AVP7285 on and press the source button on its control panel or the TV/Video button on the remote control unit until "Video 1" is displayed on the screen. The VCP may also be operated with the remote or the buttons on its face. Inserting a tape into the VCP will turn it on and automatically activate the play mode. If a rewind tape had been loaded into the VCP, prior to its activation press play on the VCP or the remote control to view the tape. For more information see the owner's manual accompanying your VCP.

TYPICAL SYSTEM CONNECTIONS



Negative Dome Light Switching	
White -	Entry Switch/Negative
Black -	Constant + 12VDC/Dome
Red-	Chassis Ground

Positive Dome Light Switching	
White -	Entry Switch/Positive
Black -	Chassis Ground
Red-	Constant + 12VDC/Dome

PIN 1 -	Power/Red
PIN 2 -	Power GND/Black
PIN 3 -	Dome Light Auto/White
PIN 4 -	Light GND/Black
PIN 5 -	Dome Light B+ /Red
PIN 6 -	Line Out (L)/White
PIN 7 -	Spk Out (R) /Green
PIN 8 -	Spk Out-GND/Black
PIN 9 -	Spk Out (L)/Grey
PIN 10 -	Video Out/Yellow
PIN 11 -	Video GND/Black
PIN 12 -	Line Out (R)/Red
PIN 13 -	Power 12V(FM Trans.)/Red
PIN 14 -	Power GND (FM Trans.)/Black
PIN 15 -	Audio (L) Out (FM Trans.)/White
PIN 16 -	Audio GND (FM Trans.)/Black
PIN 17 -	Audio (R) Out (FM Trans.)/Red
PIN 18 -	Line Out GND/Black

ACCESSORY LIST

DESCRIPTION	PART NUMBER
AVP-7285 Video Cassette Player (12 Volt)	AVP7285
FM Modulator	0190730
Wireless Headphone Kit: Includes 2 sets Wireless Headphones and transmitter	WRFKIT1
AVP-7000 Video Cassette Player (12 Volt)	AVP7000
Mini-Console (Trim Ring)	1181300
AC2A 2 Amp Adapter for use with Avt-597 5" TV and AVP-7000 Video Cassette Player	0891436
Unified Remote Control	0892325
VAC-21 12 Volt Corded Vacuum	VAC21
AVF-1 12 Volt Rechargeable Flashlight	AVF-1
HP-175 Headphones with Pivoting Ear Cup	HP175
HP-275 Headphones with Volume Control on Cord	HP275
HP-375 Studio Quality Headphones	HP375

Unlike household electronics, all of our products have been specifically designed and tested for the mobile environment and are only available through ASA. To order any of these products, please contact Audiovox Specialized Applications at www.asaelectronics.com or 800-688-3135.

*Prices are subject to change

Troubleshooting

PROBLEM	SOLUTION
Poor TV Reception	<ul style="list-style-type: none"> • Perform auto programming of the tuner • Verify antenna condition. • NOTE: Due to the nature of TV signals, vehicle motion, direction the vehicle is facing, distance from the transmitter, nearby surroundings and weather may adversely affect TV reception. These conditions may result in the following: picture roll, "snowy" picture, or momentary loss of color. Please refer to page 2 for more information on TV reception.
Poor radio reception (FM modulator installed)	<ul style="list-style-type: none"> • Check the condition of the vehicle's radio antenna. • Verify that the antenna is fully raised • If a wired RF modulator has been installed, verify that it's switch is turned to the off position
IR sensor inoperative	<ul style="list-style-type: none"> • Verify that the batteries in the remote are fresh • Verify that the remote eye is not obstructed. • Verify that the infrared transmitter is affixed over the sensor eye of the component to be controlled

Specifications

LCD Brightness	250 nits (min)
Resolution	1440 x 234
Pixels	336, 960
Operation Temperature	-10 ~ 65° C
Storage Temperature	- 40 ~ 85° C
Video Display System	NTSC
Audio Output	0.6W @ 16Ω
Current Draw	1.5A
Weight	3.3 Lbs
Overall Dimensions	2.3 x 8.6 x 9.8 Inch (H x W x D)



AUDIOVOX SPECIALIZED APPLICATIONS, L.L.C.

90 DAY/ 12 MONTH LIMITED WARRANTY

AUDIOVOX SPECIALIZED APPLICATION, LLC (the Company) warrants to the original retail purchaser of this product that should this product or any part thereof, under normal use and conditions, be proven defective in material or workmanship within 90 days from the date of original purchase, such defect(s) will be repaired or replaced (at the Company's option) without charge for parts and repair labor. After the initial 90 day period and for a period of 12 months from the date of original purchase, the Company will supply at no charge a replacement for any defective part(s), but will charge for the labor to repair the product.

To obtain repair or replacement within the terms of this warranty, the product is to be delivered with proof of warranty coverage (e.g. dated bill of sale), specification of defect(s), transportation prepaid, to an approved warranty station, or the Company at the address shown below.

This warranty does not extend to the elimination of externally generated static or noise, to the correction of antenna problems, to costs incurred for removal or reinstallation of the product, or to damage to any tapes, speakers, accessories, or electrical systems.

This warranty does not apply to any product or part thereof which, in the opinion of the Company, has been damaged through alteration, improper installation, mishandling, misuse, neglect, or accident. THE EXTENT OF THE COMPANY'S LIABILITY UNDER THIS WARRANTY IS LIMITED TO THE REPAIR OR REPLACEMENT PROVIDED ABOVE, AND, IN NO EVENT, SHALL THE COMPANY'S LIABILITY EXCEED THE PURCHASE PRICE PAID BY THE PURCHASER FOR THE PRODUCT.

This warranty is in lieu of all other express warranties or liabilities. ANY IMPLIED WARRANTIES, INCLUDING ANY IMPLIED WARRANTY OF MERCHANTABILITY, SHALL BE LIMITED TO THE DURATION OF THIS WARRANTY. ANY ACTION FOR BREACH OF ANY WARRANTY HEREUNDER INCLUDING ANY IMPLIED WARRANTY OF MERCHANTABILITY MUST BE BROUGHT WITHIN A PERIOD OF 30 DAYS FROM THE DATE OF ORIGINAL PURCHASE. IN NO CASE SHALL THE COMPANY BE LIABLE FOR ANY CONSEQUENTIAL OR INCIDENTAL DAMAGES FOR BREACH OF THIS OR ANY OTHER WARRANTY, EXPRESS OR IMPLIED, WHATSOEVER. No person or representative is authorized to assume for the Company any liability other than that expressed herein in connection with the sale of this product.

Some states do not allow limitations on how long an implied warranty lasts or the exclusion or limitation of incidental or consequential damages so the above limitations or exclusions may not apply to you. This warranty gives you specific legal rights and you may also have other rights which vary from state to state.

AUDIOVOX SPECIALIZED APPLICATIONS, LLC
23319 COOPER DR. ELKHART, IN 46514
Visit us at <http://www.asaelectronics.com>



AUDIOVOX **S**PECIALIZED **A**PPPLICATIONS, L.L.C.

23319 Cooper Dr.

Elkhart, IN 46514

800-688-3135

www.asaelectronics.com

Revision A
1/2002

Free Manuals Download Website

<http://myh66.com>

<http://usermanuals.us>

<http://www.somanuals.com>

<http://www.4manuals.cc>

<http://www.manual-lib.com>

<http://www.404manual.com>

<http://www.luxmanual.com>

<http://aubethermostatmanual.com>

Golf course search by state

<http://golfingnear.com>

Email search by domain

<http://emailbydomain.com>

Auto manuals search

<http://auto.somanuals.com>

TV manuals search

<http://tv.somanuals.com>