

SCSI Card Replacement Instructions

Follow the instructions in this sheet carefully. Failure to follow these instructions could damage your equipment and void its warranty.

Note: Written and video instructions covering customer-installable parts are available at <http://www.info.apple.com/installparts/>.

Warning: During this procedure, keep small parts away from children.

Tools Required

The only tool required for this procedure is a Phillips screwdriver.

Opening the Computer

Warning: Always turn off your computer before opening it to avoid damaging its internal components.

1. Place your computer on a clean, flat surface.
2. If you think your computer is in sleep, press the power button on the front of the computer to wake it.
3. Shut down your computer by opening the Special menu and choosing Shut Down. Then wait five minutes for the computer's internal components to cool down.
4. If you attached a security cable through the computer's lockable cover latch, remove the cable.
5. Unplug all other cables from the computer except the power cord.

6. Touch the metal PCI access covers on the back of the computer. **(Figure 1)**

Important: To avoid electrostatic discharge, always ground yourself by touching the port access covers before you touch any parts or install any components inside the computer. To avoid static electricity building back up in your body, do not walk around the room until you have completed your installation and closed the computer.

Figure 1

Power Mac G4



Power Mac G4 (Mirrored Drive Doors)



7. Unplug the power cord.
8. Lift the latch on the right side access panel.
9. Gently lower the access panel until it lies flat. To avoid scratching the case, lower the panel onto a soft, clean cloth.

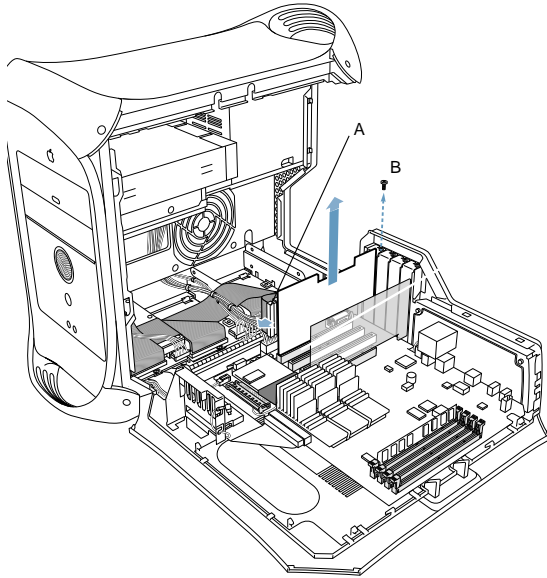
Warning: If you see any lights glowing on the main logic board, the computer has not been shut down. Close the side access panel and shut down the computer before proceeding.

Removing the Installed Card

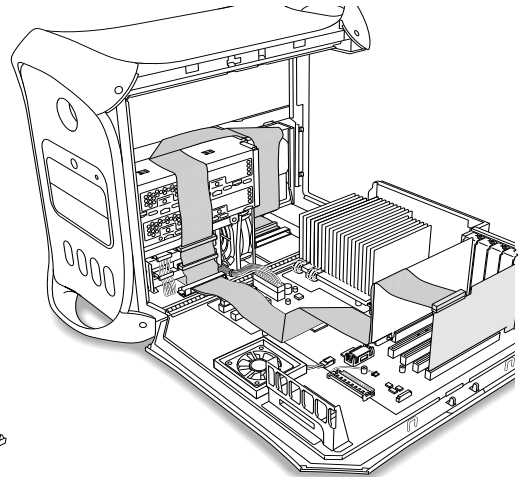
1. Disconnect the SCSI ribbon cable from the SCSI card. **(Figure 2A)**
2. Using a Phillips screwdriver, remove the card's mounting screw. **(Figure 2B)**
3. Gently pull up the card and remove it from the PCI slot.

Figure 2

Power Mac G4



Power Mac G4 (Mirrored Drive Doors)



Installing the Replacement Card

1. Taking care not to touch the gold connector or any of the components on the card, remove the replacement SCSI card from its static-proof bag and hold it by its corners.
2. Align the card's connector with the expansion slot and press down until the connector is inserted all the way into the slot.
 - Install the card in the same slot used for the original card.
 - Don't rock the card; instead press it straight into the slot.
 - Don't force the card. If you meet a lot of resistance, pull the card out. Check for damage or obstructions, and then reinsert the card.
 - Pull the card gently to see if it is properly connected. If it stays in place, and if its gold connectors are barely visible, it is connected.
3. Replace the card's mounting screw and tighten it to secure the card.
4. Reconnect the SCSI ribbon cable to the card.

Closing the Computer

1. Raise the side access panel, lift the latch, and press the panel against the case until it snaps securely into place.
2. Reconnect all cables and restart your computer.

Warning: Never turn on your computer unless all of its internal and external parts are in place and it is closed. Operating the computer when it is open or missing parts can damage your computer or cause injury.

Apple Computer, Inc.

© 2002 Apple Computer, Inc. All rights reserved.

Under the copyright laws, this document may not be copied, in whole or in part, without the written consent of Apple.

The Apple logo is a trademark of Apple Computer, Inc., registered in the U.S. and other countries. Use of the “keyboard” Apple logo (Option-Shift-K) for commercial purposes without the prior written consent of Apple may constitute trademark infringement and unfair competition in violation of federal and state laws.

Every effort has been made to ensure that the information in this document is accurate. Apple is not responsible for printing or clerical errors.

Apple Computer, Inc.
1 Infinite Loop
Cupertino, CA 95014-2084
USA
+ 1 408 996 1010
<http://www.apple.com>

Apple, the Apple logo, Mac, Macintosh, and the Mac logo are trademarks of Apple Computer, Inc., registered in the U.S. and other countries.

Power Mac is a trademark of Apple Computer, Inc.

Free Manuals Download Website

<http://myh66.com>

<http://usermanuals.us>

<http://www.somanuals.com>

<http://www.4manuals.cc>

<http://www.manual-lib.com>

<http://www.404manual.com>

<http://www.luxmanual.com>

<http://aubethermostatmanual.com>

Golf course search by state

<http://golfingnear.com>

Email search by domain

<http://emailbydomain.com>

Auto manuals search

<http://auto.somanuals.com>

TV manuals search

<http://tv.somanuals.com>