

ATA Hard Drive Replacement Instructions

Be sure to follow these instructions carefully. Failure to follow these instructions could result in damage to your equipment and may void your warranty.

Replacing the ATA hard drive in your computer requires five basic steps:

- Turn off the computer.
- Remove the computer core from the enclosure.
- Remove the installed ATA drive.
- Install the replacement ATA drive.
- Replace the computer core in the enclosure.

Note: Written and video instructions covering customer-installable parts are available at

<http://www.info.apple.com/installparts/>.

Tools Required

- Flat-blade screwdriver
- Torx T-8 screwdriver
- Phillips screwdriver

Electrostatic Discharge (ESD)

Static electricity, a normal and natural phenomenon, builds up on your body as you walk around. You experience an electrostatic discharge (ESD) when you touch an object and feel a spark. ESD can cause damage to the internal components of your computer. To avoid ESD damage, read and follow all instructions.

Backing Up Your Data

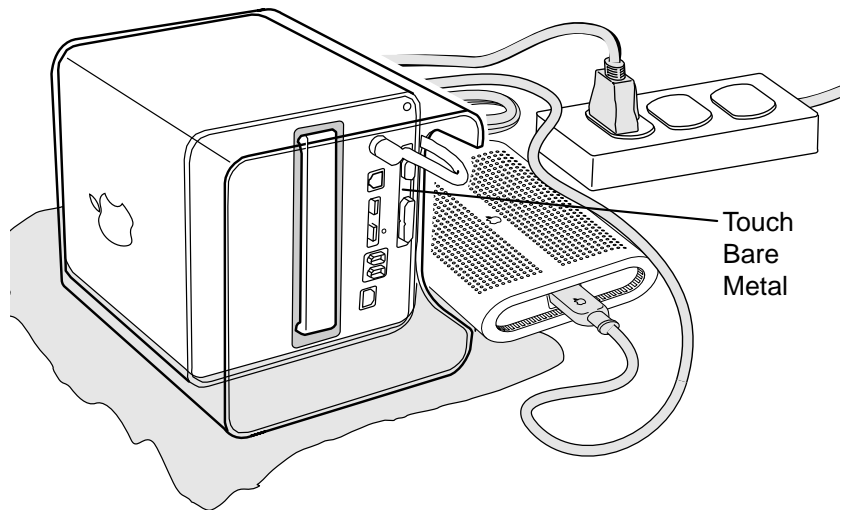
Warning: Before replacing your hard drive, make sure you back up all data on the drive.

Removing the Computer Core From the Enclosure

- 1 Place your computer on a clean, flat surface.
- 2 Shut down your computer by opening the Special menu and choosing Shut Down. Then wait five minutes for the computer's internal components to cool down.
- 3 Unplug all cables from the computer except the power cord.

Note: If you have never plugged in your computer, connect the computer's power cord and plug it in.

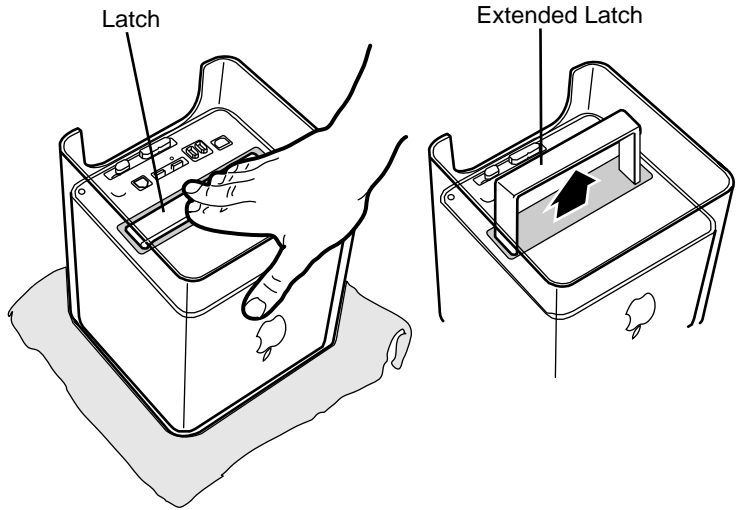
- 4 Turn the computer on its side on a soft, clean cloth, and ground yourself by touching the bare metal between the video ports.



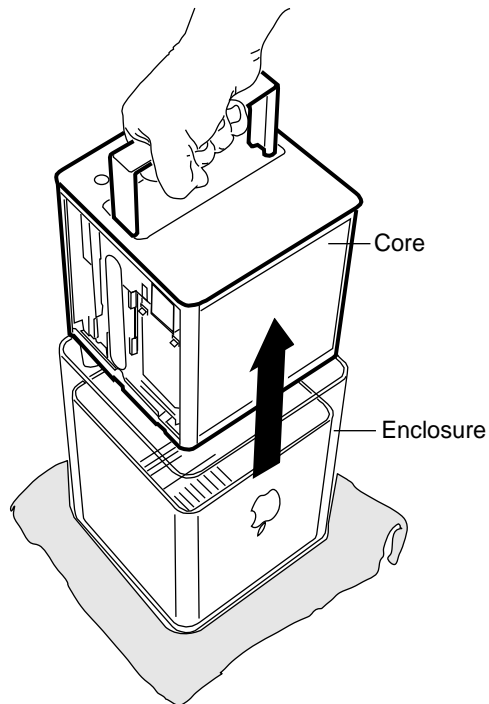
Important: To avoid electrostatic discharge, always ground yourself by touching the bare metal before you touch any parts or install any components inside the computer. To avoid static electricity building back up in your body, do not walk around the room until you have completed the installation and closed the computer.

- 5 Unplug the power cord.

- 6 Turn the computer upside down, and push down on the latch to release it. Allow the latch to extend completely.

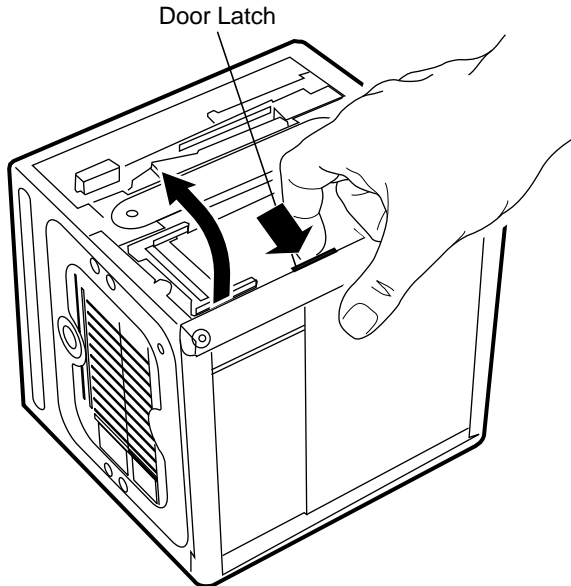


- 7 Gently pull the core from the computer enclosure and place the core on a soft cloth.

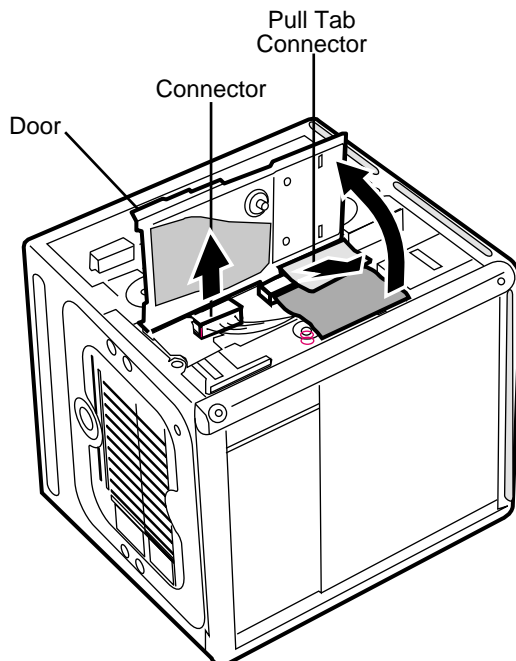


Removing the Installed Drive

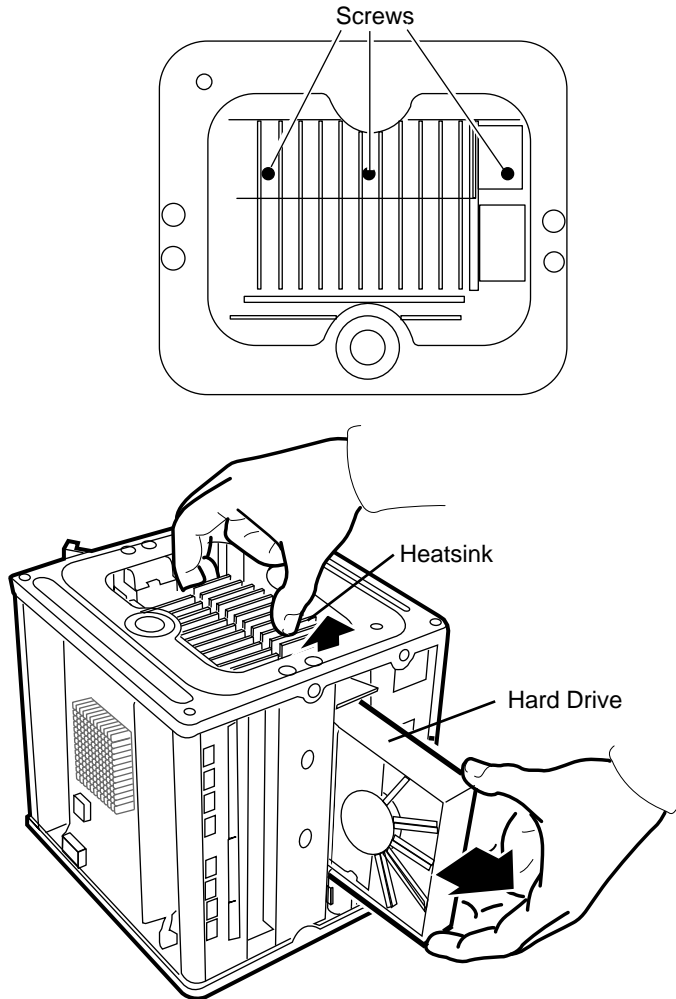
- 1 Remove the AirPort Card, if installed.
- 2 Press and hold the door latch, and then open the AirPort shield door.



- 3 With the AirPort shield door open, pull the tab to disconnect the ATA ribbon cable connector from the hard drive.
- 4 Disconnect the power cable connector from the hard drive. (You might need to use a flat-blade screwdriver to pry up and loosen the connector.)



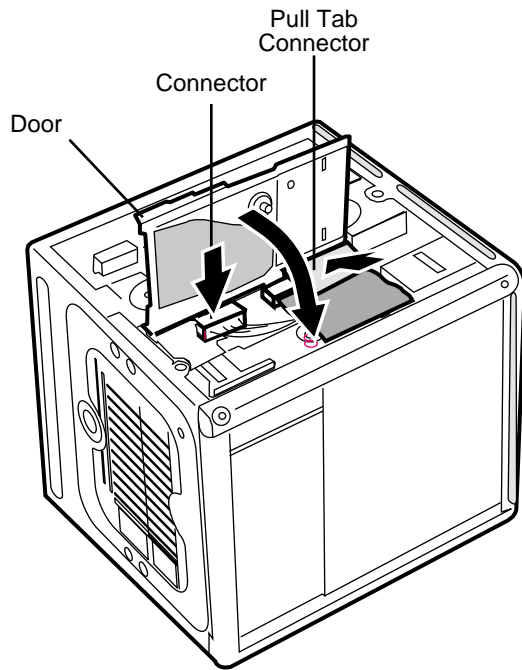
- 5 Push in the core latch, and reposition the computer chassis so you can access the heatsink and hard drive.
- 6 Loosen, but do not remove, the three captive screws at the heatsink.
- 7 Lift up the loosened heatsink, and slide the hard drive out of the carrier.



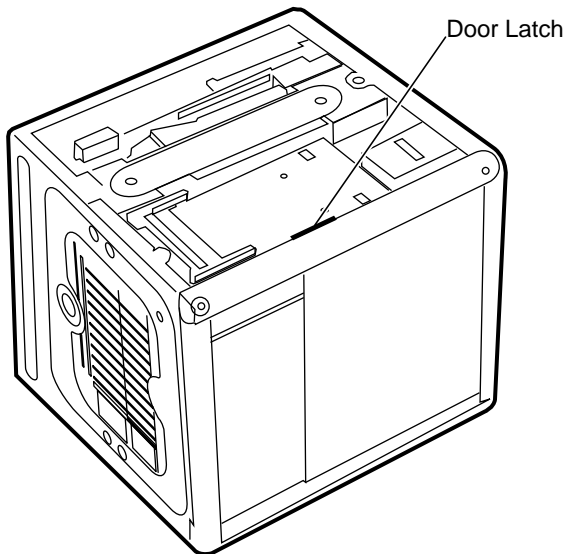
Installing the Replacement Drive

- 1 Position the replacement drive on the drive carrier so that the ribbon cable and power cable connectors align with the slots at the end of the carrier.
- 2 Lift up the heatsink, and slide in the drive.
- 3 Align the heatsink fins to the opposite heatsink fins. Tighten the three captive screws.

- 4 Reconnect the power cable connector and the ATA ribbon cable connector to the drive.



- 5 Close the AirPort shield door, and press it down so the door latch engages.

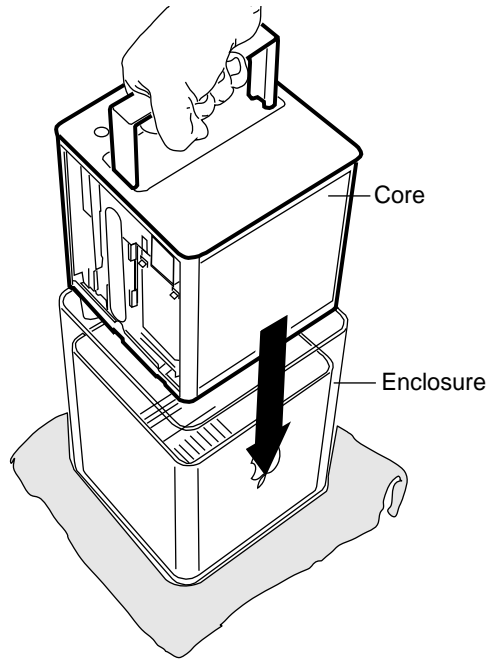


- 6 Reinstall the AirPort Card, if applicable.

Replacing the Computer Core in the Enclosure

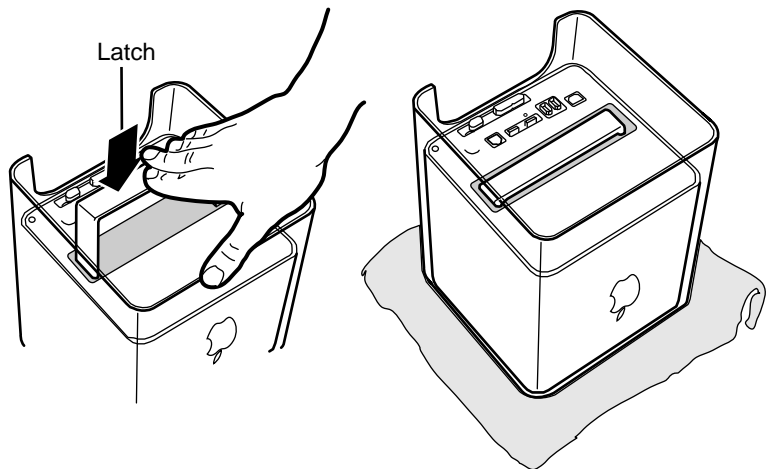
- 1 Holding the core by the latch, insert the core into the computer.

Note: The core fits into the enclosure only one way. Position the core so the ports are toward the back of the enclosure.



- 2 With a flat hand, press down on the latch until it locks into place. Firmly press the core to ensure it is fully secured within the enclosure.

Important: Do not lift or carry your computer by the core latch. The enclosure could fall off the core and be damaged.



- 3 Turn your computer upright and reconnect all cables.
- 4 Restart your computer and restore the data from your backup to the new drive.

Warning: Never turn on your computer unless all of its internal and external parts are in place and it is closed. Operating the computer when it is open or missing parts can damage your computer or cause injury.

Repackaging the Drive

Repackage the drive you removed from the computer in the static-proof bag and box that you received with the replacement drive. Seal the box and affix the return label with the tape and label included in the box.

Apple Computer, Inc.

© 2001 Apple Computer, Inc. All rights reserved.

Under the copyright laws, this document may not be copied, in whole or in part, without the written consent of Apple.

The Apple logo is a trademark of Apple Computer, Inc., registered in the U.S. and other countries. Use of the “keyboard” Apple logo (Option-Shift-K) for commercial purposes without the prior written consent of Apple may constitute trademark infringement and unfair competition in violation of federal and state laws.

Every effort has been made to ensure that the information in this document is accurate. Apple is not responsible for printing or clerical errors.

Apple Computer, Inc.
1 Infinite Loop
Cupertino, CA 95014-2084
408-996-1010
<http://www.apple.com>

Apple, the Apple logo, Mac, Macintosh, and the Mac logo are trademarks of Apple Computer, Inc., registered in the U.S. and other countries.

AirPort and Power Mac are trademarks of Apple Computer, Inc.

Free Manuals Download Website

<http://myh66.com>

<http://usermanuals.us>

<http://www.somanuals.com>

<http://www.4manuals.cc>

<http://www.manual-lib.com>

<http://www.404manual.com>

<http://www.luxmanual.com>

<http://aubethermostatmanual.com>

Golf course search by state

<http://golfingnear.com>

Email search by domain

<http://emailbydomain.com>

Auto manuals search

<http://auto.somanuals.com>

TV manuals search

<http://tv.somanuals.com>