



ASSEMBLY INSTRUCTIONS

Arbor Seat and Back

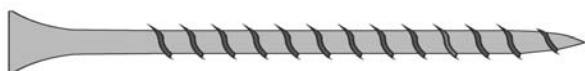
PLEASE READ COMPLETELY BEFORE BEGINNING ASSEMBLY

CHECK BOX FOR THESE CONTENTS

- Seat assembly
- Back rails (total 3)
- Back mounting block (total 2)
- Screws (total 18)

HARDWARE

3" screw (12)



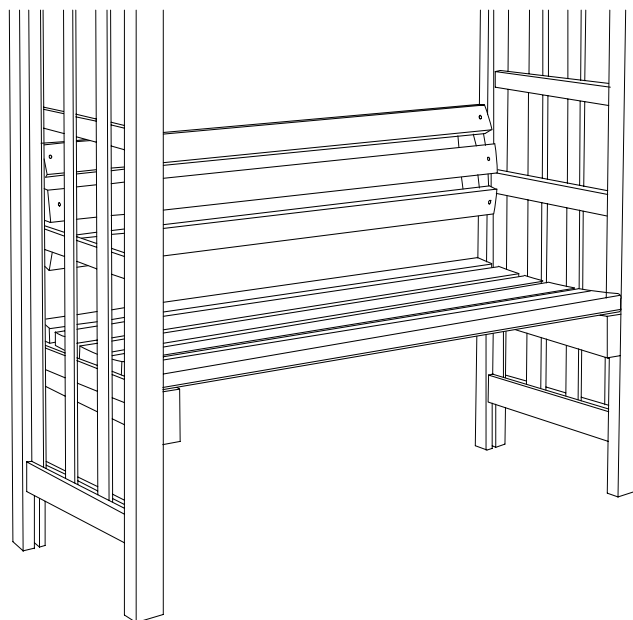
1 5/8" screw (6)



TOOLS YOU WILL NEED

- Philips screwdriver (electric driver recommended)
- Small hammer
- Tape measure
- Pencil
- Four 2" nails

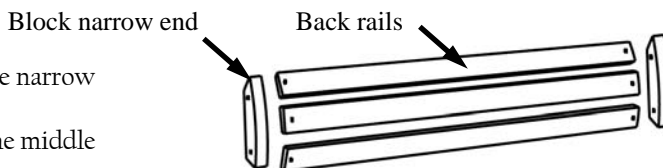
SEAT AND BACK INSTALLED IN ARBOR



BACK ASSEMBLY

STEP 1

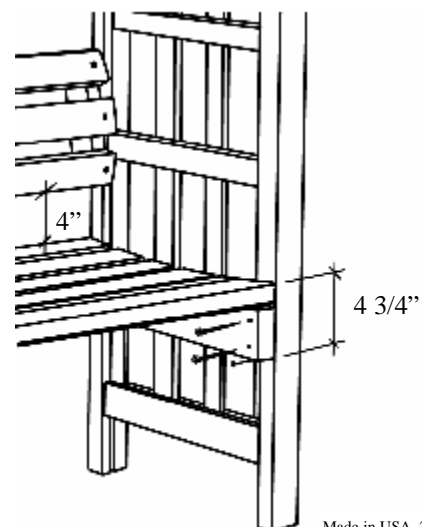
- Line up the outer rails to the edge of the back block with the narrow end pointing upward.
- Secure the outer back rails using the 1 5/8" screws. Center the middle rail and secure using 1 5/8" screws.



SEAT AND BACK TO ARBOR ASSEMBLY

STEP 2

- Determine the height you prefer for the bench seat, usually from 16" to 18" above ground.
- Deduct 4 3/4" from the height and mark that height on each "leg" of the arbor, this will locate the bottom of the seat support.
- Drive nails in each of the arbor posts at the marked places.
- Rest the seat on the projecting nails, line it up front and back with the arbor posts.
- Hold the seat firmly to the arbor post and drive 3" screws into all four posts.



STEP 3

- Position back 4" above seat, use books or blocks to support the back and steady in place
- Position outer edge of back blocks flush with the arbor post.
- Secure the back to arbor using 3" screws.

Free Manuals Download Website

<http://myh66.com>

<http://usermanuals.us>

<http://www.somanuals.com>

<http://www.4manuals.cc>

<http://www.manual-lib.com>

<http://www.404manual.com>

<http://www.luxmanual.com>

<http://aubethermostatmanual.com>

Golf course search by state

<http://golfingnear.com>

Email search by domain

<http://emailbydomain.com>

Auto manuals search

<http://auto.somanuals.com>

TV manuals search

<http://tv.somanuals.com>