



OPEN AIR COOLERS

SHOWCASE

Key Features

- Custom Designed for Easy Product Access
- Integrated Vertical Lighting in Each Post
- Electronic Temperature Control With Digital Readout
- Automatic Defrost and Heated Drain Pan
- Adjustable Dual Position Shelves
- High Impact Graphics Available

Model	Doors	Capacity cu.ft (lt)	Shelves	Exterior Dimensions inches (mm)			Interior Dimensions inches (mm)			Power (V-Hz-Ph)	Amps	HP	Crated Weight lbs (kg)
				L	D	H	L	D	H				
SHOWCASE	NA	9 3/4 (275)	2	27 1/2 (700)	27 1/2 (700)	55 7/8 (1420)	24 1/4 (615)	22 1/4 (565)	31 (790)	115.60.1	12	1/2	264 (120)

Details

Cabinet Construction

- Exterior: Galvanized metal cabinet with impact resistant extruded plastic accent panels - gray.
- Large low-E double pane tempered thermal glass side panels for increased product visibility.
- Interior: Epoxy powder coated steel for increased durability and easy cleaning.
- High-density, CFC-Free, polyurethane insulation.
- Low profile fixed wheels allow for easy movement of unit and facilitate cleaning of surrounding area.

Shelving

- Two (2) heavy duty epoxy powder coated steel shelves:
 - Upper: 24" x 11 3/4" (610 x 300)
 - Lower: 24" x 14 3/4" (610 x 376)
- All shelves are dual position allowing for horizontal or gravity fed positions, and are adjustable in 1" increments.
- Designed to allow use of shelf pricing strips.

Lighting

- Fluorescent vertical lights mounted in each post provide for maximum illumination of products.
- Utilizes T8 bulbs and an electronic ballast for increased energy efficiency and extended life.

Electrical

- Ready for connection to 115V/ 60Hz single phase 20 amp dedicated outlet.
- Includes an 8' cord and plug set.



NEMA 5-15R

Refrigeration System

- Self-contained environmentally-friendly refrigeration system using CFC-free R404A refrigerant.
- Self-contained heated drain pan and condensate evaporation system.
- Automatic self-defrost cycle.
- Electronic temperature control with digital readout maintains 34°F to 41°F (1°C to 5°C).
- Bottom mounted refrigeration unit slides out for easy maintenance and service.

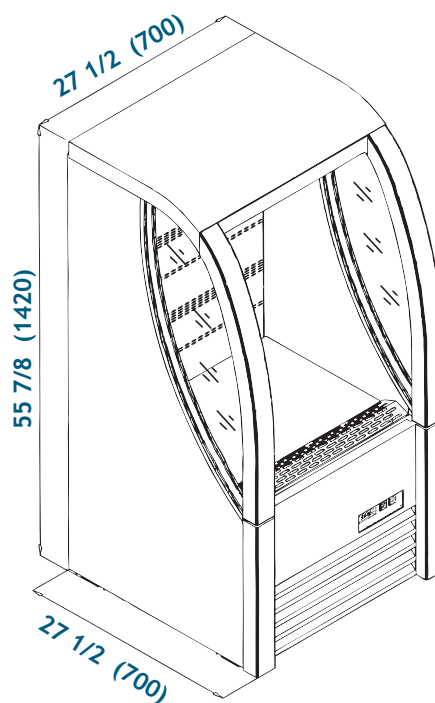
Recommended Operating Conditions

- This unit is best suited for an environment where temperatures remain below 80°F (24°C) and humidity does not exceed 55%.
- Open Air models should not be installed in any area where the air curtain will be frequently disrupted. This includes placement near an HVAC vent, open doorway, or fan.
- Areas with direct sunlight should also be avoided.

Options

- 208-230V/ 50Hz
- Custom Graphics
- Additional Shelves
- Pricing Strips
- 3" heavy duty casters
- Various Cabinet Colors

Technical Drawing



SHOWCASE



3235 Industry Drive • Suite C
North Charleston, SC 29418
Phone: 843-767-6855
Toll Free: 800-905-4768

Fax: 843-767-6858
Toll Free Fax: 800-906-4768
www.atcgroup.net
sales@atcgroup.net

WARRANTY

One year warranty on all parts and labor and an additional 4 year prorated warranty on compressor.

Free Manuals Download Website

<http://myh66.com>

<http://usermanuals.us>

<http://www.somanuals.com>

<http://www.4manuals.cc>

<http://www.manual-lib.com>

<http://www.404manual.com>

<http://www.luxmanual.com>

<http://aubethermostatmanual.com>

Golf course search by state

<http://golfingnear.com>

Email search by domain

<http://emailbydomain.com>

Auto manuals search

<http://auto.somanuals.com>

TV manuals search

<http://tv.somanuals.com>