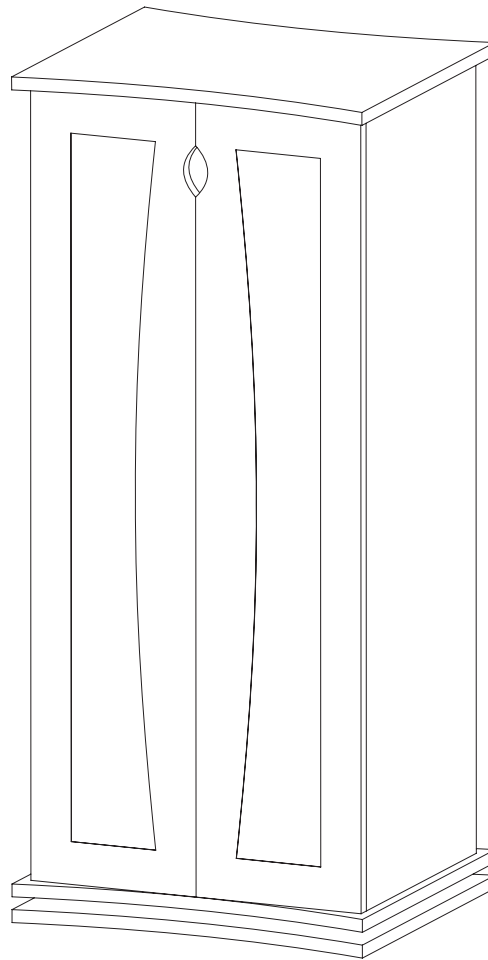


# Eclipse

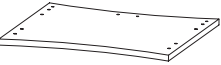



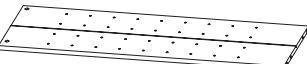
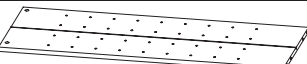


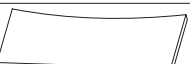

444 CD / 200 DVD


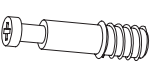
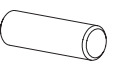
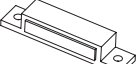
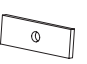

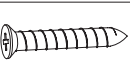
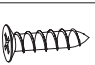
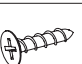
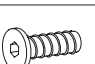



# 33335427

 ATLANTIC®

# Assembly Instructions:

Parts List		Qty.
A		1
B		1
C		1
D		1
E		1
F		1
G		1
H		1
I		10
J		1

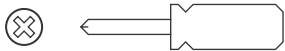
Parts List		Qty.
K		4
L		4
M		8
N		1
O		2
P		44
Q		4
R		2
S		2
T		8
U		4

## Tools included



Hex Key

## Tools needed / not included



Phillips screwdriver

**ATLANTIC®**

©2007 Atlantic Inc.  
Santa Fe Springs, CA, U.S.A.

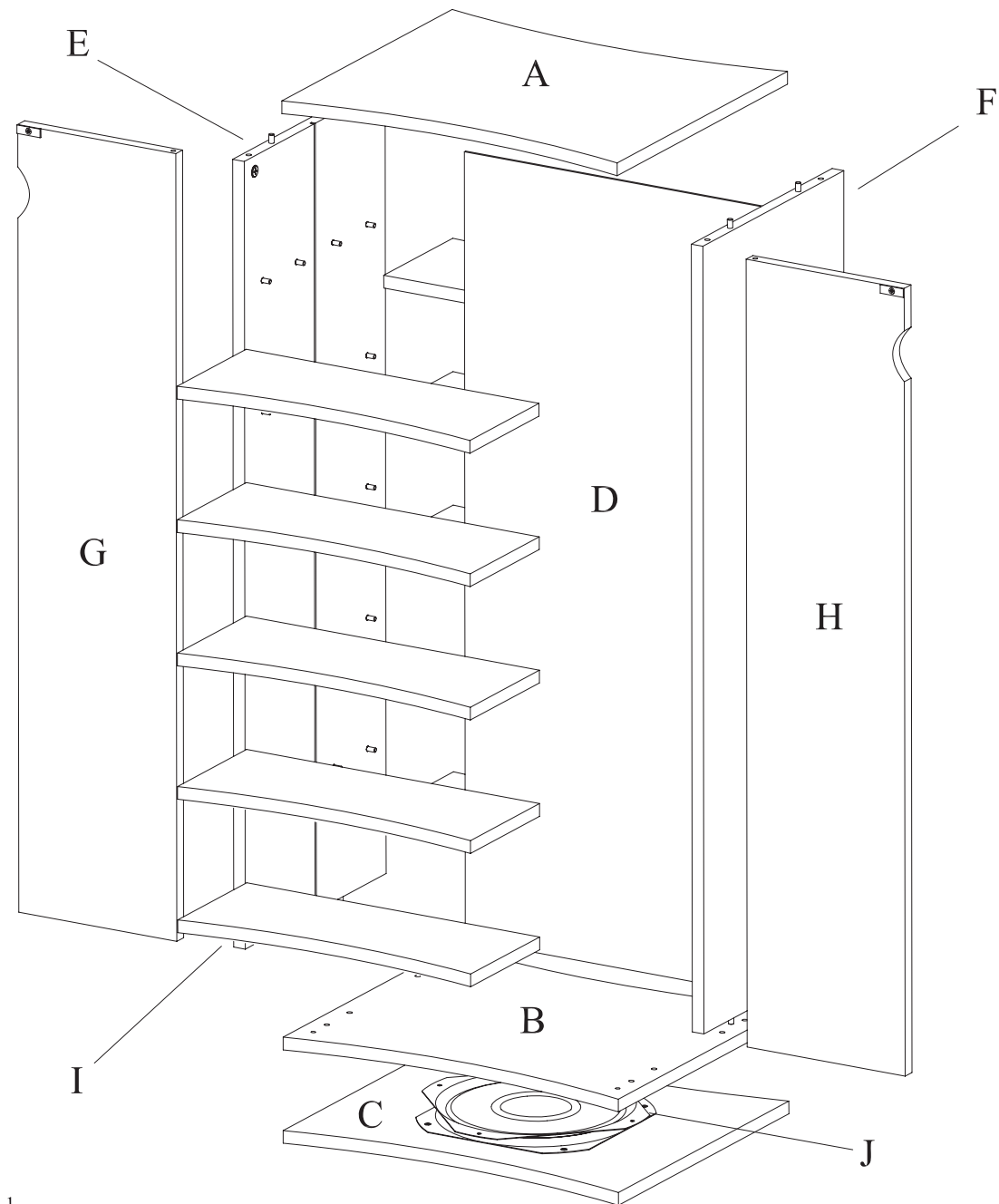
U.S. AND OTHER FOREIGN PATENTS PENDING  
Patentes de los EUA y países extranjeros en trámite  
En cours pour Etats Unis et autres pays étrangers  
U.S. und andere ausländische Patente sind hängig  
ALL RIGHTS RESERVED  
Derechos Reservados / Tous droits réservés /  
Alle Rechte vorbehalten

www.atlantic-inc.com

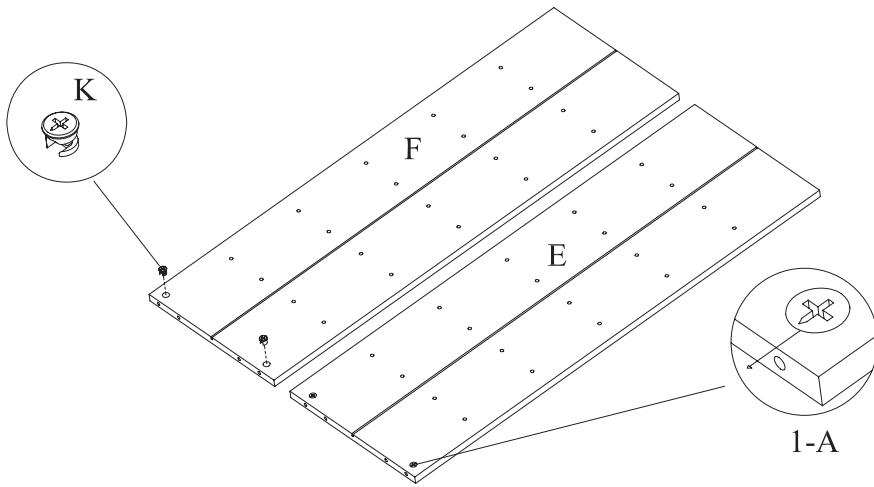
MADE IN CHINA

Hecho en China / Fabriqué en Chine /  
Herstellt in China

R1.1 070323 # 33335427

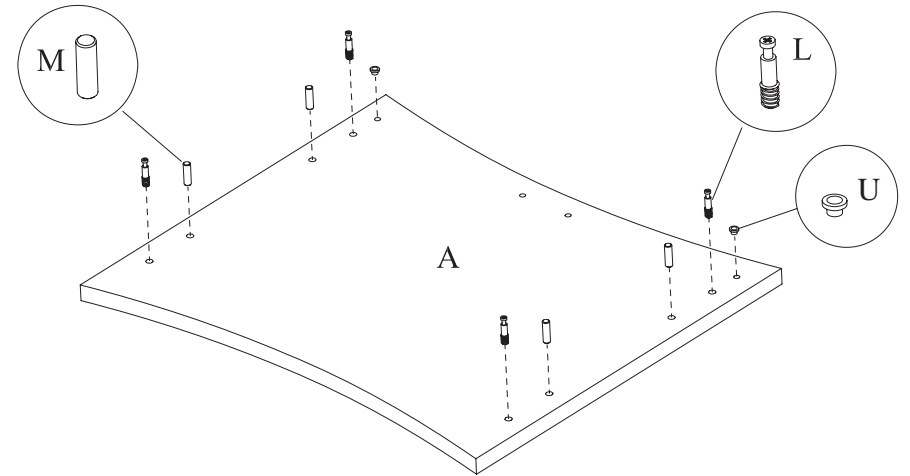


1



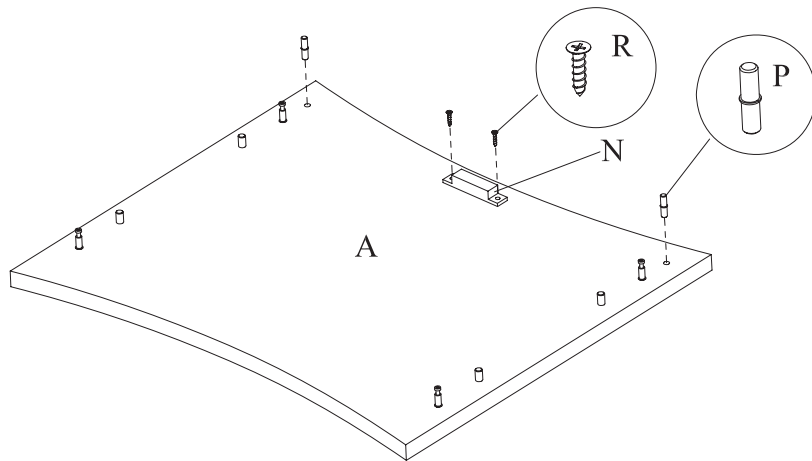
1 - Insert (K) into side panels (E) and (F). Arrows should point towards screw opening, see diagram (1-A)

2



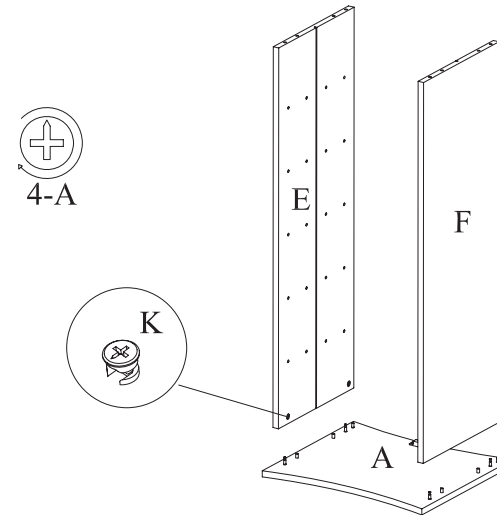
2 - Screw (L) into panel (A). Insert dowels (M) and plastic inserts (U) into the holes as shown.

3



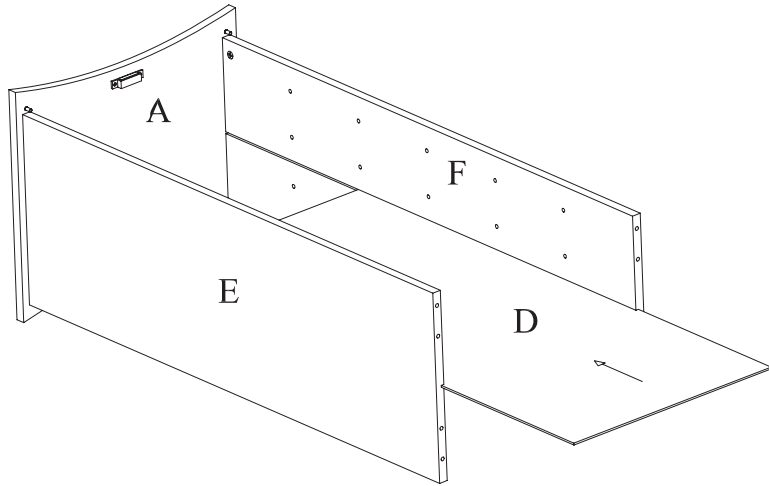
3 - Fasten (N) to panel (A) with screws (R). Insert pins (P) into the holes.

4



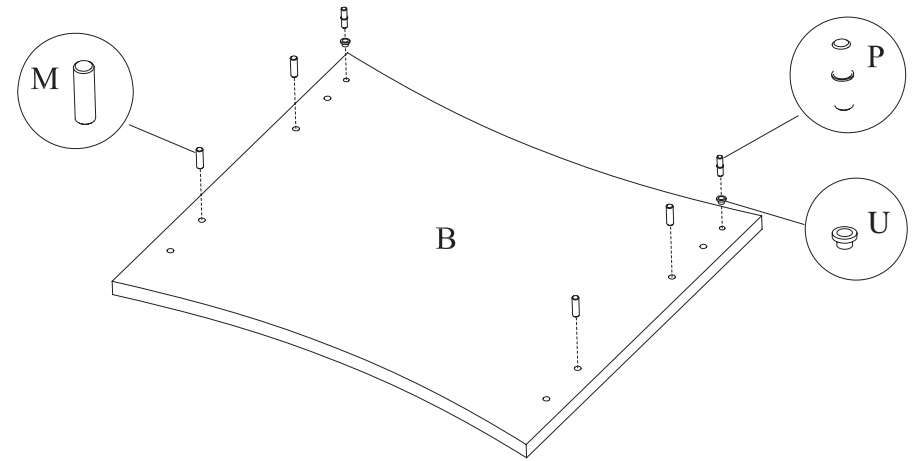
4 - Attach (E) and (F) onto panel (A). Lock by turning (K) in side panels (E) and (F), clockwise until it locks. See diagram (4-A).

5



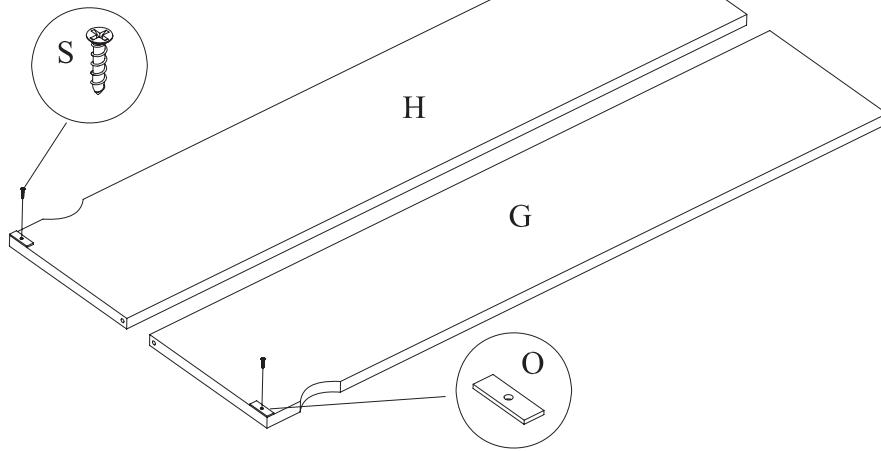
5 - Slide middle panel (D) into groove in panels (E) and (F).

6



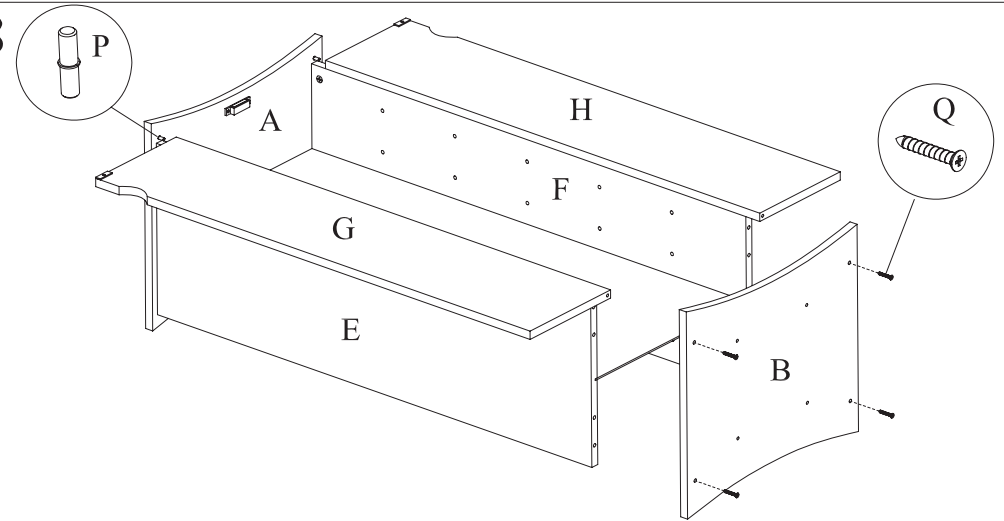
6 - Insert dowels (M) into the holes of base panel (B) as shown. Insert plastic inserts (U) and then pins (P) into the holes as shown.

7



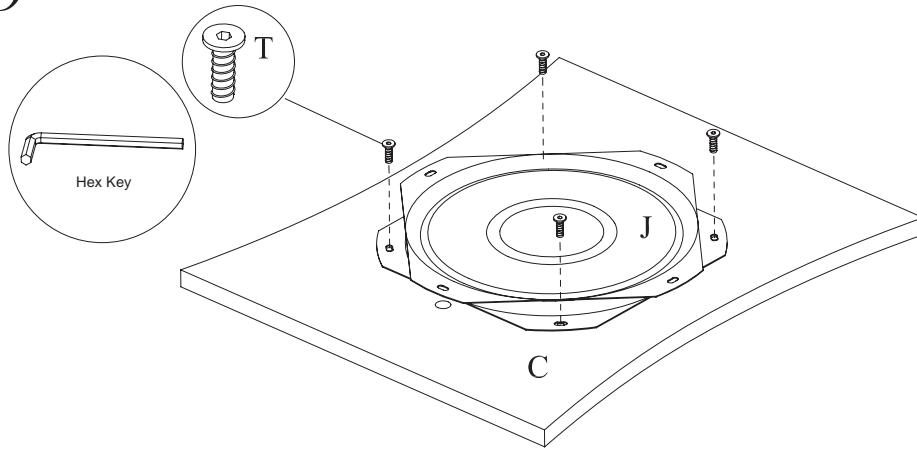
7 - Attach metal plates (O) to left door (G) and right door (H) with screws (S).

8



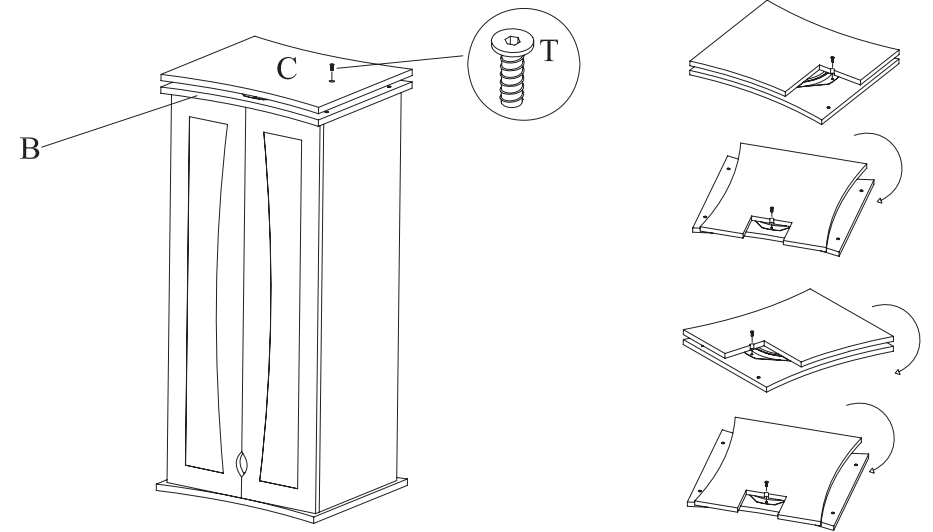
8 - Attach doors (G) and (H) to (A) and (B) with pins (P). Attach base panel (B) to side panels (E) and (F) with screws (Q).

9



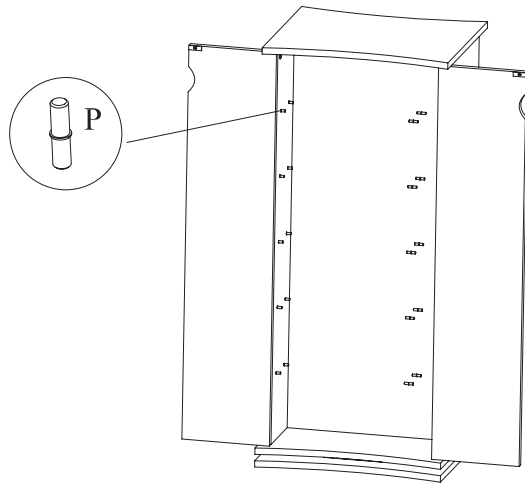
9 - Fasten rotating bracket (J) onto the lower base (C) with screws (T) using provided tool (Hex Key).

10



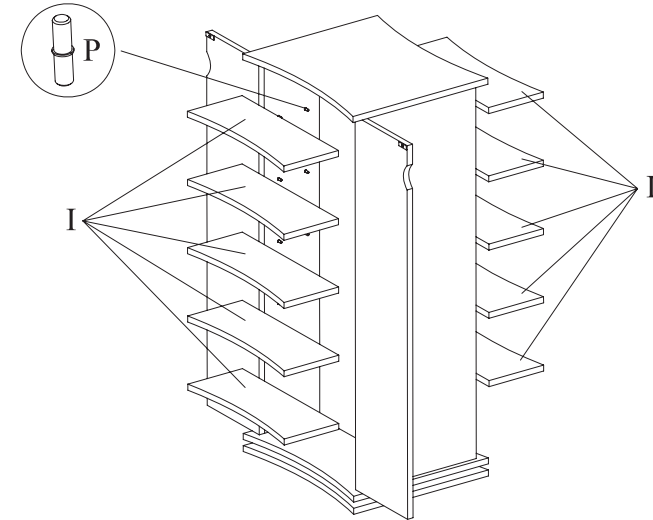
10 - Attach lower rotating base (C) to (B) by inserting and tightening screws (T) through access holes, one at a time.

11



11 - Insert pins (P) at desired heights.

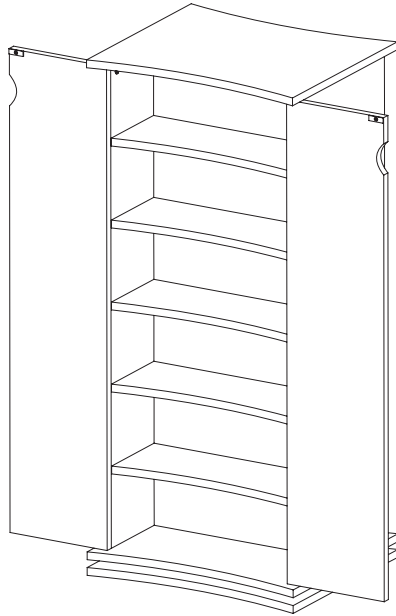
12



12 - Place shelves (I) on pins (P).

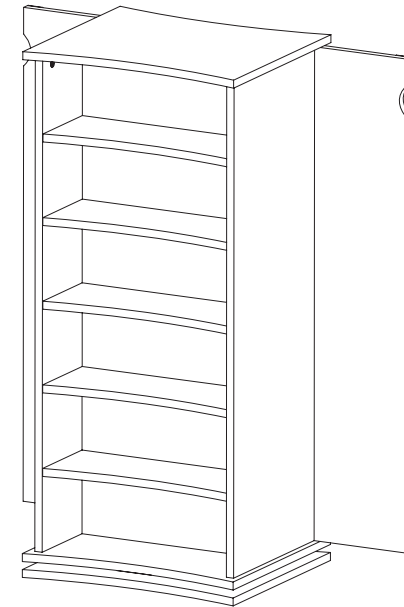
13

Front

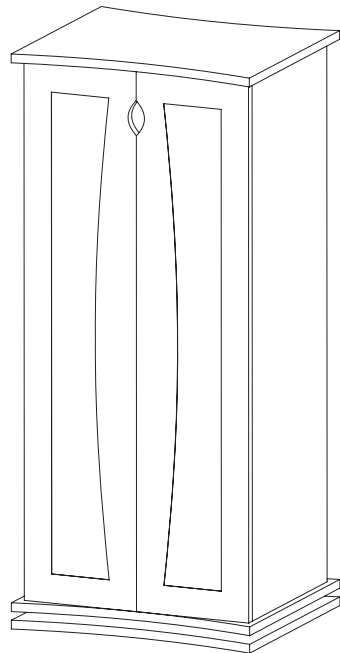


14

Back



15



**ATLANTIC**<sup>®</sup>

©2007 Atlantic Inc.  
Santa Fe Springs, CA, U.S.A.

U.S. AND OTHER FOREIGN PATENTS PENDING  
Patentes de los EUA y países extranjeros en trámite  
En cours pour Etats Unis et autres pays étrangers  
U.S. und andere ausländische Patente sind hängig  
ALL RIGHTS RESERVED  
Derechos Reservados / Tous droits réservés /  
Alle Rechte vorbehalten

[www.atlantic-inc.com](http://www.atlantic-inc.com)

MADE IN CHINA

Hecho en China / Fabriqué en Chine /  
Hergestellt in China

R1.1 070323 # 33335427



## Free Manuals Download Website

<http://myh66.com>

<http://usermanuals.us>

<http://www.somanuals.com>

<http://www.4manuals.cc>

<http://www.manual-lib.com>

<http://www.404manual.com>

<http://www.luxmanual.com>

<http://aubethermostatmanual.com>

Golf course search by state

<http://golfingnear.com>

Email search by domain

<http://emailbydomain.com>

Auto manuals search

<http://auto.somanuals.com>

TV manuals search

<http://tv.somanuals.com>