





Wire Spinner 156 DVD







Item # 63735423



Assembly instructions

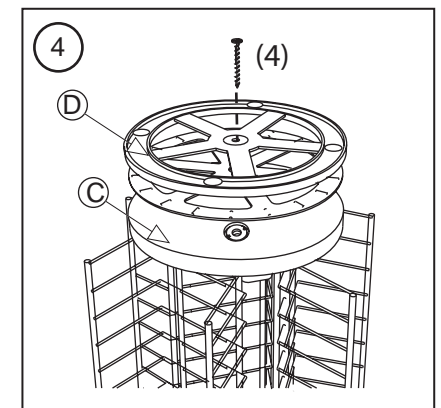
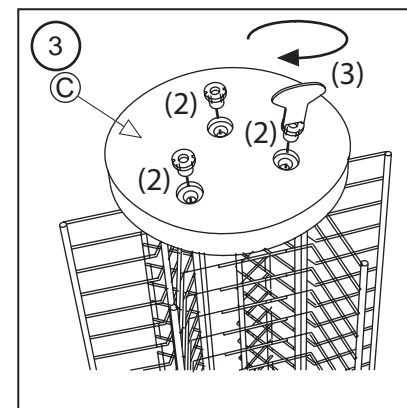
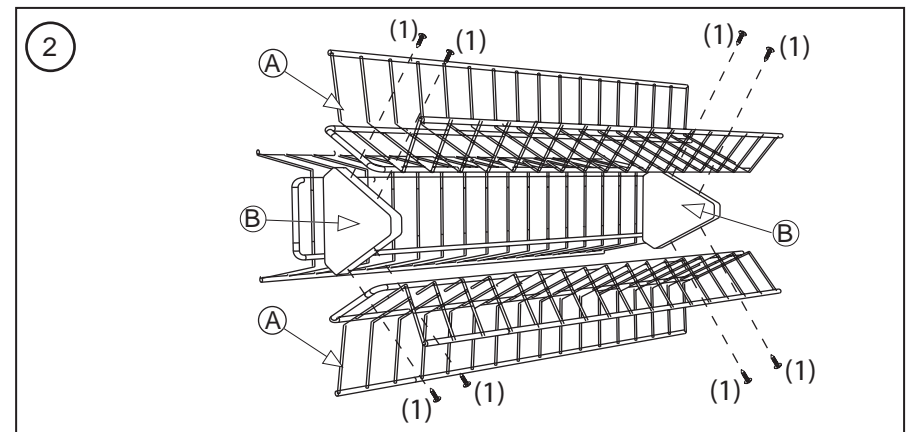
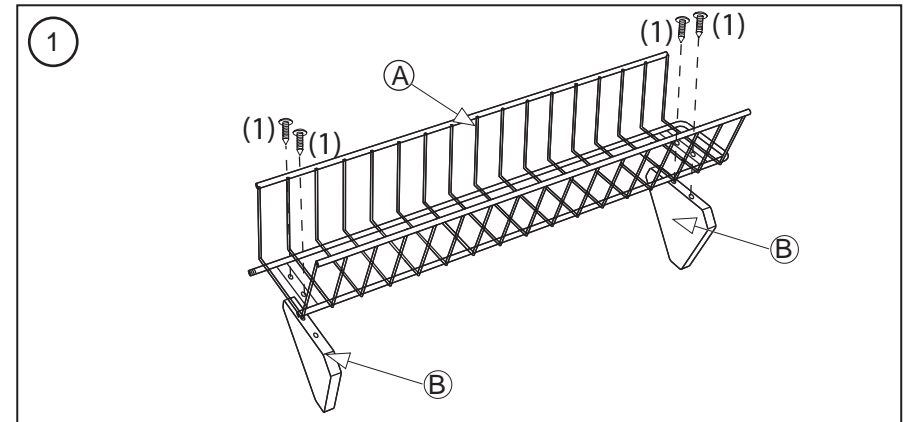
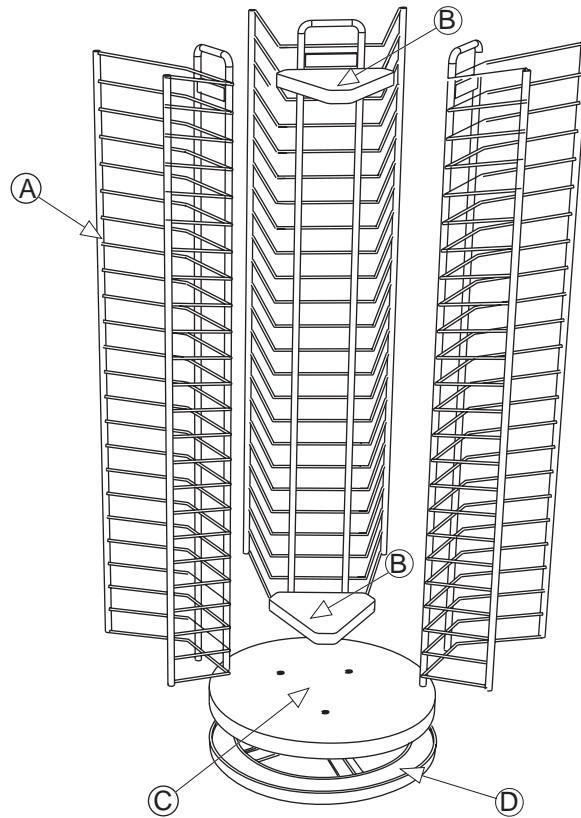
Parts List		Qty.
(A)		3
(B)		2
(C)		1
(D)		1

Hardware:		Qty.
(1)		12
(2)		3
(3)		1
(4)		1

Tools needed / Not included:

Phillips screwdriver

Hammer or Mallet



(3) Use hammer or mallet and gently hammer in plastic screw about 1/8" down onto threaded end of wire. Carefully screw the Plastic Screws to secure the bottom section to the base with the provided tool. (Apply Pressure)

(4) Do not tighten screw too tightly. If base does not rotate easily, loosen screw.

Free Manuals Download Website

<http://myh66.com>

<http://usermanuals.us>

<http://www.somanuals.com>

<http://www.4manuals.cc>

<http://www.manual-lib.com>

<http://www.404manual.com>

<http://www.luxmanual.com>

<http://aubethermostatmanual.com>

Golf course search by state

<http://golfingnear.com>

Email search by domain

<http://emailbydomain.com>

Auto manuals search

<http://auto.somanuals.com>

TV manuals search

<http://tv.somanuals.com>