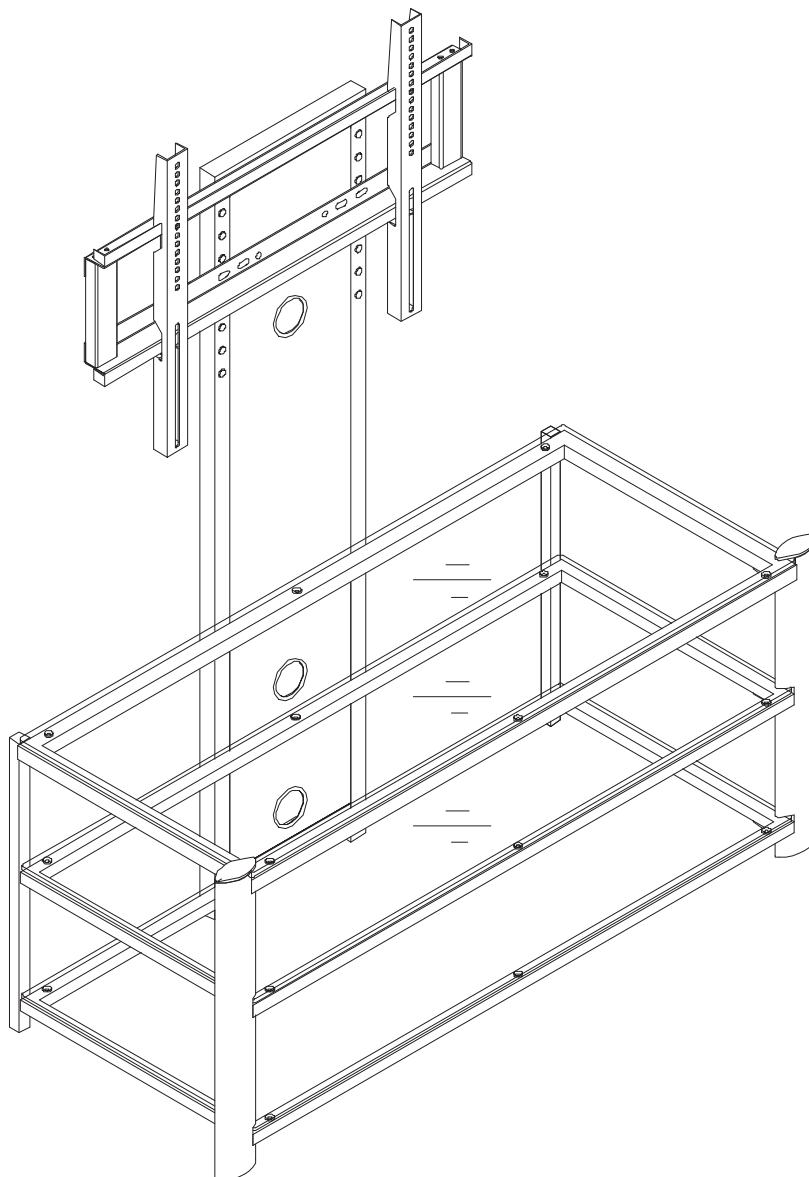


THIS INSTRUCTION BOOKLET CONTAINS  
**IMPORTANT** SAFETY INFORMATION, PLEASE  
READ AND KEEP FOR FUTURE REFERENCE.



Item #67035439  
**Nero TV Stand with Mount**

Fits audio and video equipment. If parts are missing, DO NOT return to the store.  
To order missing / replacement parts or assembly assistance please  
call 1-800-747-2660 or mail [customer\\_relations@atlantic-inc.com](mailto:customer_relations@atlantic-inc.com).

## Assembly Tips:

Become familiar with the instructions and all parts.

Make sure that all parts are in the box and in good condition.

Assemble the product on the open flat carton or a rug to protect the product and your floor.

Some heavy products need a second person to assist in the assembly.

Use of power tools is not recommended.

It is strongly recommended that at least two people carry out the assembly.

Assemble the product close to a wall.

With each step, first insert and hand-tighten all bolts and screws by hand. After **ALL BOLTS** are slightly screwed in, fully tighten bolts with Phillips screwdriver in sequential pattern (clockwise or counter clockwise).



### Caution:

Never let children climb on furniture or play with furniture.

Do not sit or stand on furniture.

Do not place a TV that is heavier than the recommended load rating on the furniture surface.

Do not overload shelves.

Use care when moving furniture. Furniture can tip over if moved improperly.

Only move furniture when it is empty of TV or other electronic components.

Handle items with glass with extra care. Use eye and hand protection.

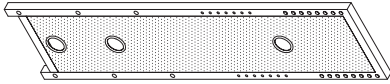

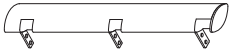
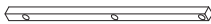
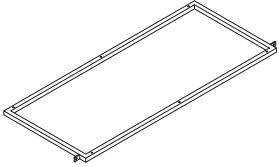
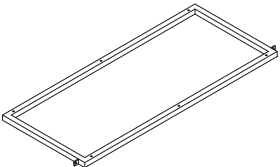
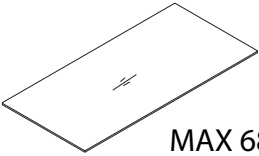
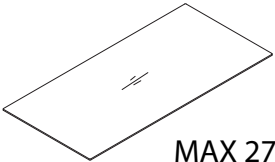
Improper handling can result in cuts and lacerations.

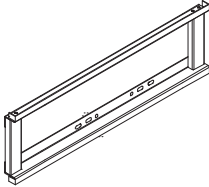
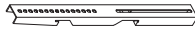
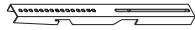

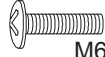
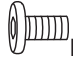




Do not install on sloping surface.

## Care Instructions:

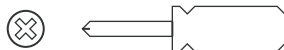
Use electrostatic dust cloths to clean furniture.

Do not set hot or cold containers directly on the furniture surface.

Item	Components parts list	Qty
A		1
B		1
C		1
D		2
E		1
F		2
G	 MAX 68kg	1
H	 MAX 27kg	2

Item	Components parts list	Qty
I		1
J		1
K		1
L	 M6x15	18
M	 M6x35	4
N	 M8x15	4
O	 M8x30	6
P	 M8x45	6
Q		18
R		1

Tools needed / not included:



Phillips screwdriver

1

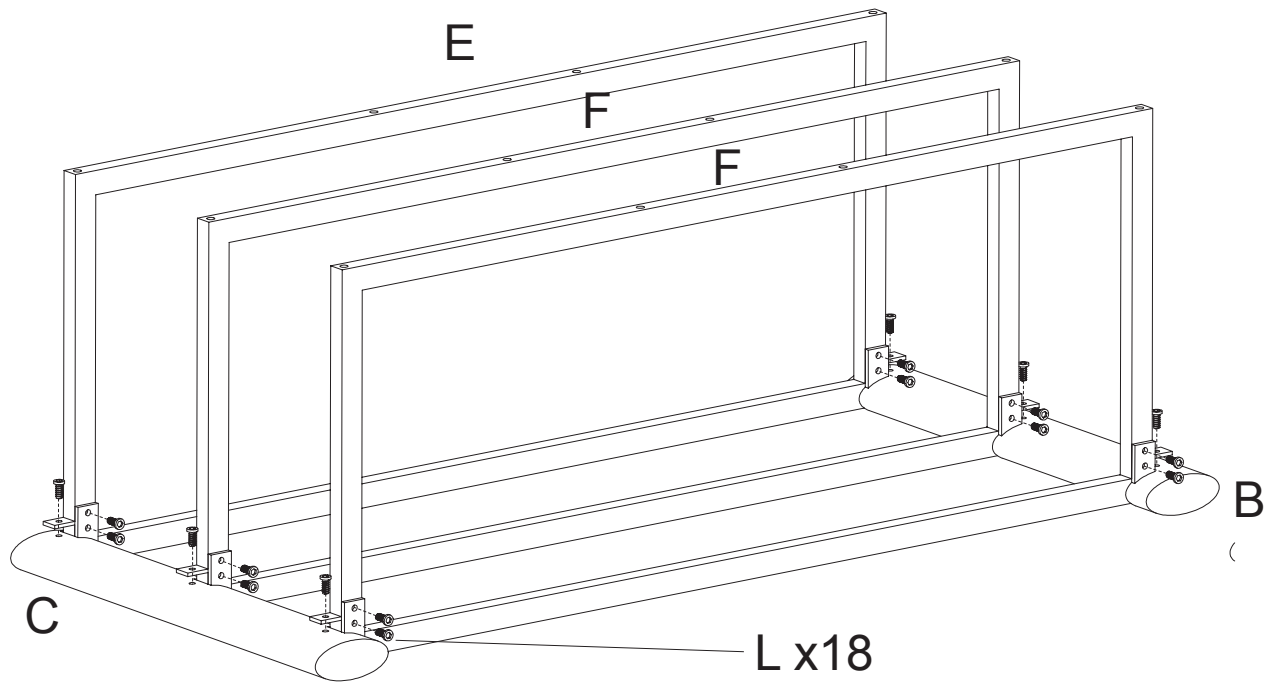


L

Tools needed:



R



1. Attach frames (E&F) to the pillars (B&C) with screws (L).

Tools needed:

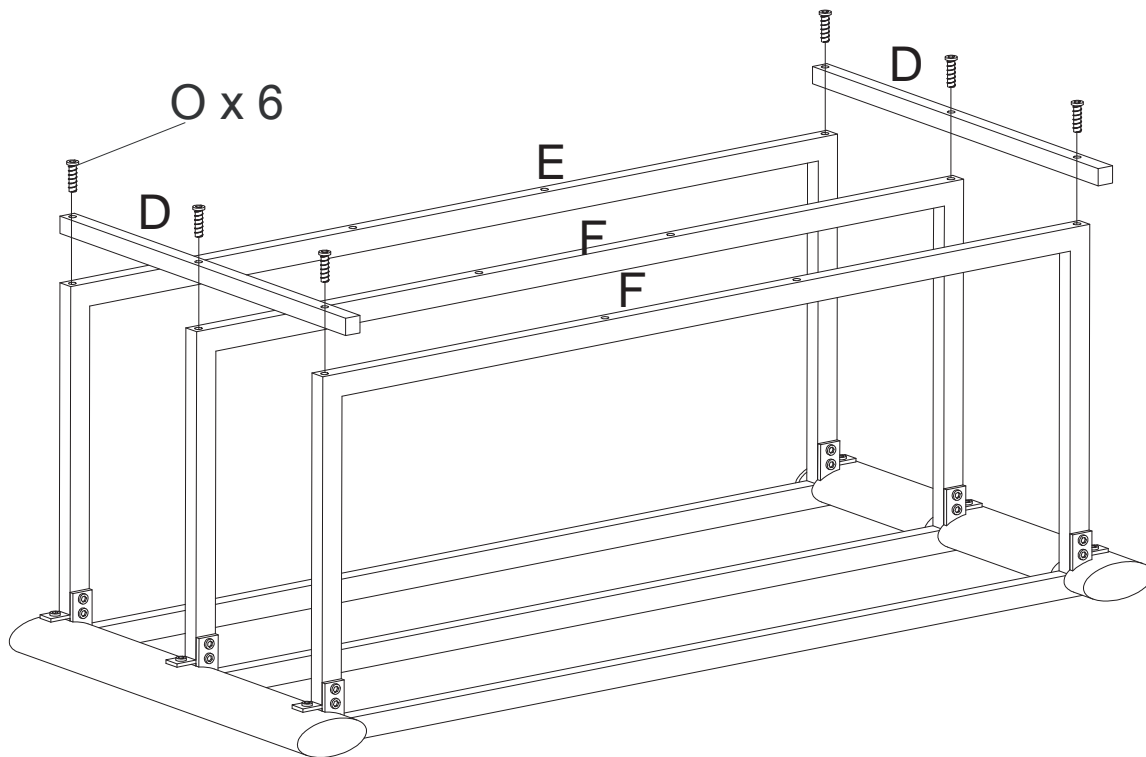
2



O

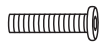


R



2. Fasten pillars (D) to the frames (E&F) with screws (J)

3

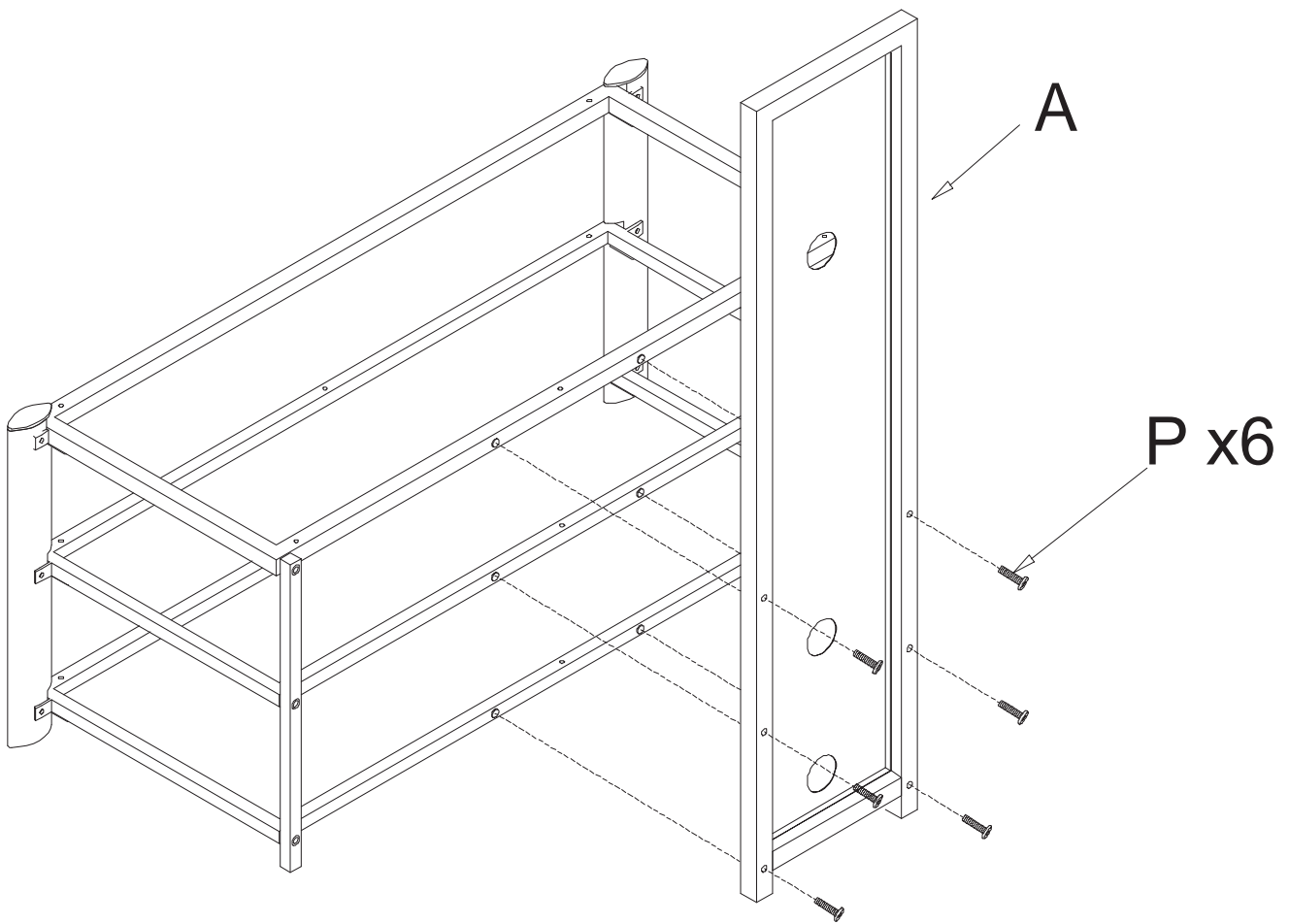


P

Tools needed:

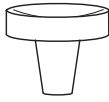


R



3. Attach back panel (A) to the unit with screws (P).

4



Q

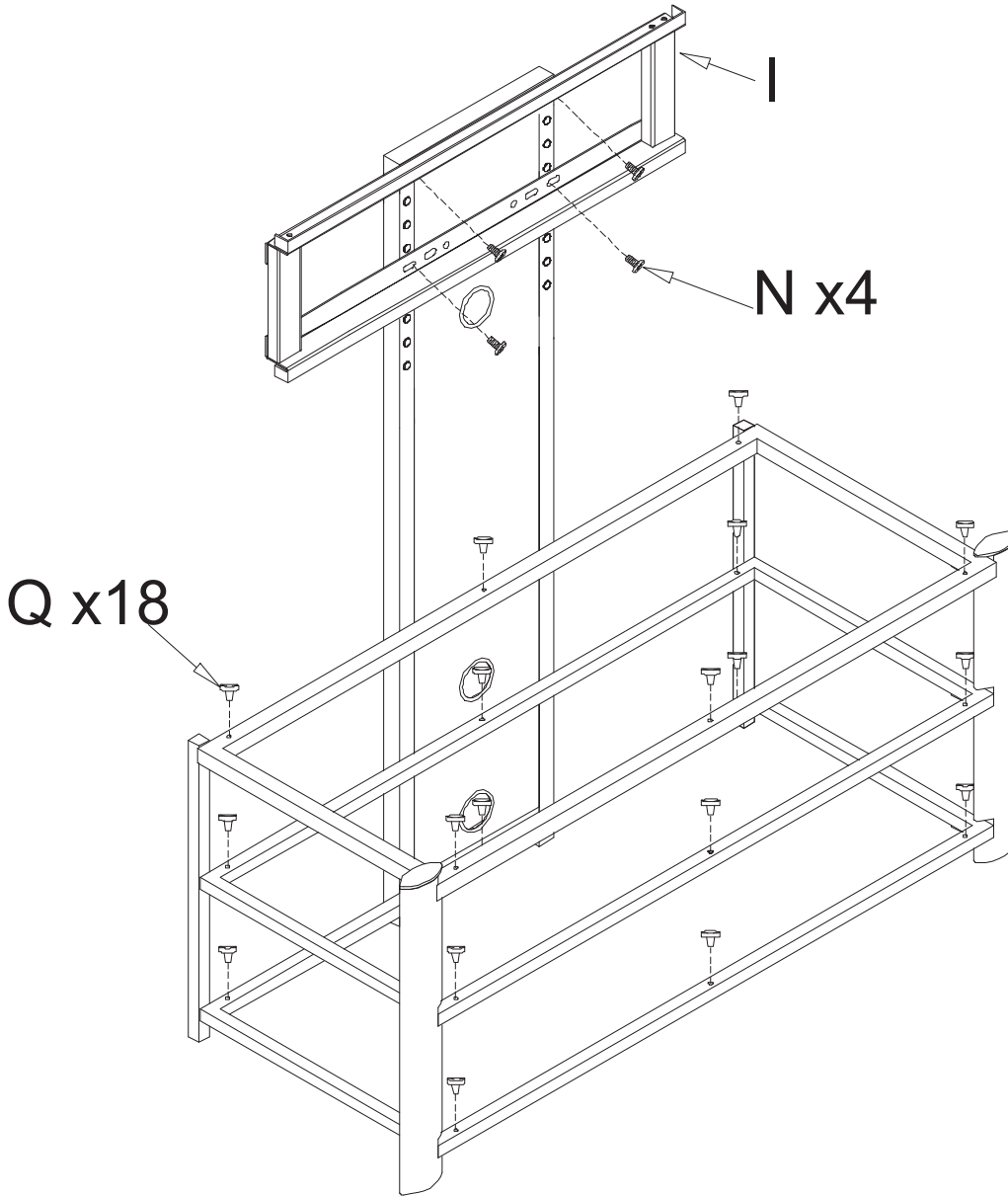


N

Tools needed:

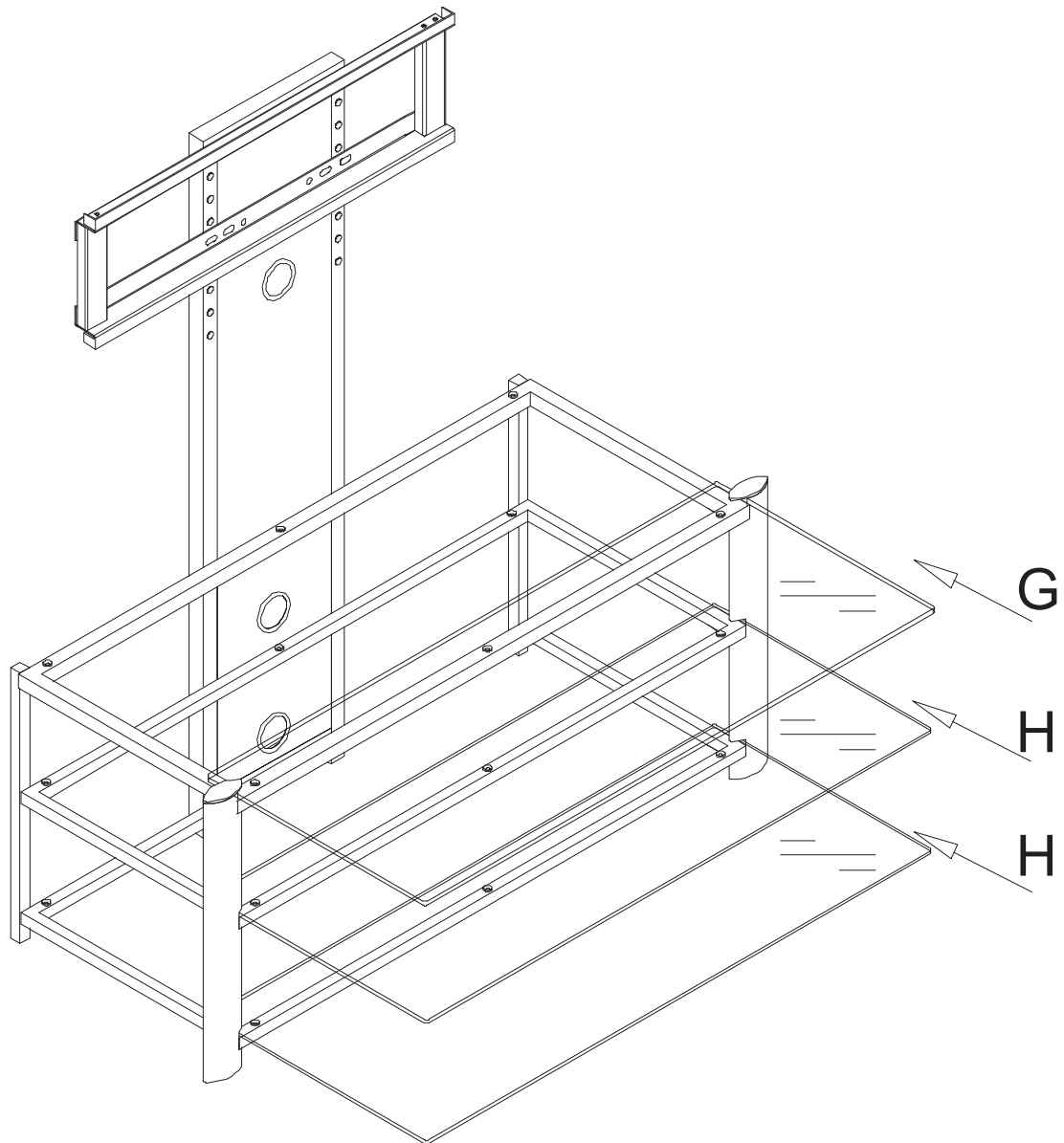


R



4. Attach holder (I) to panel (A) with screws (N), and insert Pads (Q) into the frames(E&F).

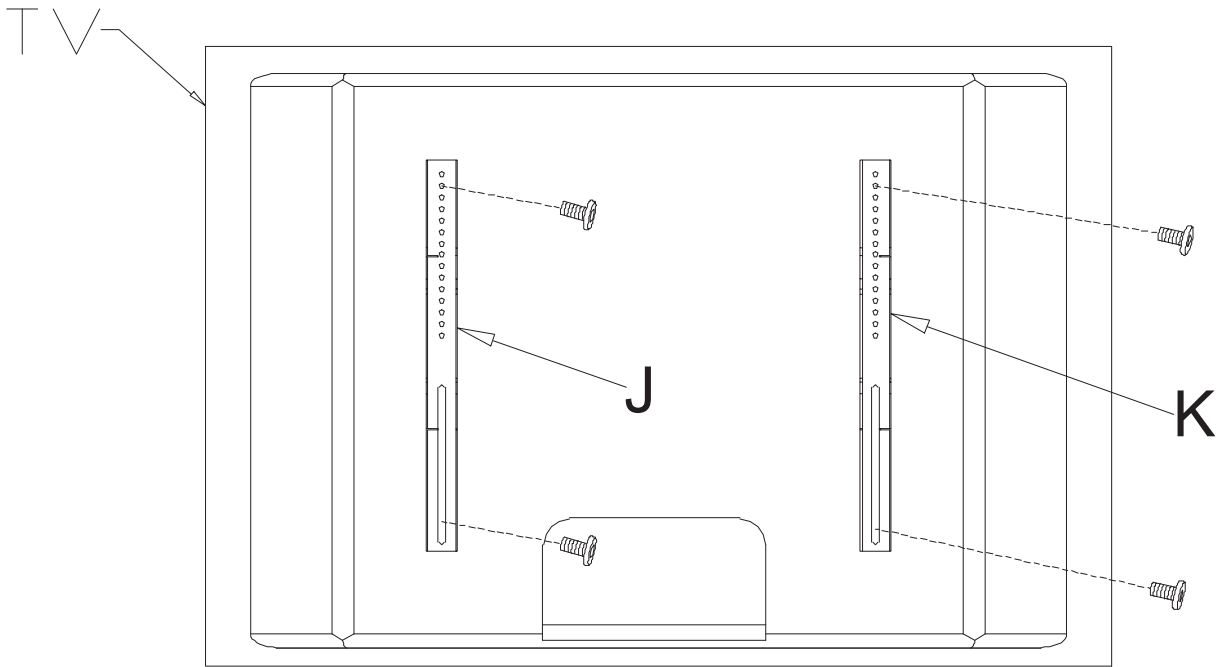
5



5. Place glass (G&H) on the pads.

Note: Handle items with glass with extra care. Use eye and hand protection. Improper handling can result in cuts or lacerations.













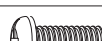











6-Fasten two TV mounting brackets on the back panel of the TV. Detail assembly instructions refer to next pages.

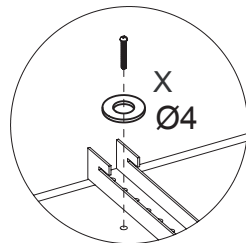
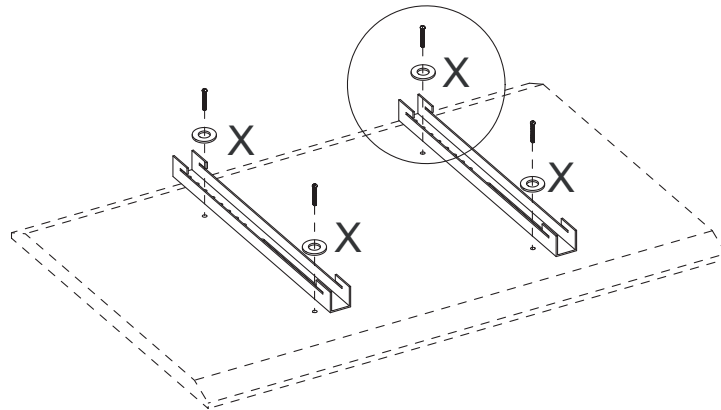
# Step 6

**PAY EXTRA CARE AND ATTENTION TO THIS STEP. MAKE SURE THE APPROPRIATE MOUNTING HARDWARE IS BEING USED PROPERLY.**

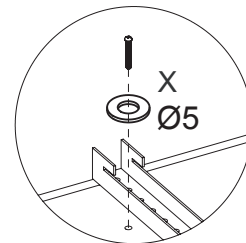
1. Select correct Mounting Hardware according to the screw hole size on your TV, discard any remaining Machine Screws or Spacers.
2. Carefully lay your Plasma/Flat Panel TV on its Face on a non-abrasivesurface, making sure to lay padding underneath it so as not to damage the screen.
3. Place left Mounting Rail and Right Mounting Rail in the appropriate position, making sure CENTERED on the back of the TV and LEVEL with one another.

MOUNTING HARDWARE LIST				X
HARDWARE IDENTIFICATION	PICTURE	SIZE (mm)	HEAD DIAMETER (mm)	
T1		4 x 15	8	Ø4  
T2		4 x 35	8	
T3		4 x 54	8	
U1		5 x 15	8	Ø5  
U2		5 x 35	8	
U3		5 x 54	8	
V1		6 x 15	10	Ø6  
V2		6 x 35	10	
V3		6 x 54	10	
W1		8 x 15	14	Ø8  
W2		8 x 35	14	
W3		8 x 54	14	

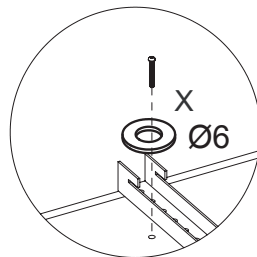
## 6 For Flat Back TV



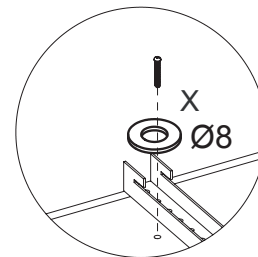
(T1~T3 Screws)



(U1~U3 Screws)



(V1~V3 Screws)



(W1~W3 Screws)

Insert Machine Screws into the appropriate holes located on (X) Dual-Hole Washers (see Mounting Hardware list), next into left Mounting Bracket (J) and Right Mounting Bracket (K), and then into TV.

**NOTE:**The position of the Mounting Brackets and Hardware will be determined by the type of TV that you have. These diagrams are not designed to show the exact positioning; they are only to be used as a guide.

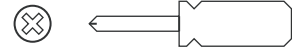
**SECURE MACHINE SCREWS FULLY, BUT DO NOT OVER-TIGHTEN.**

7

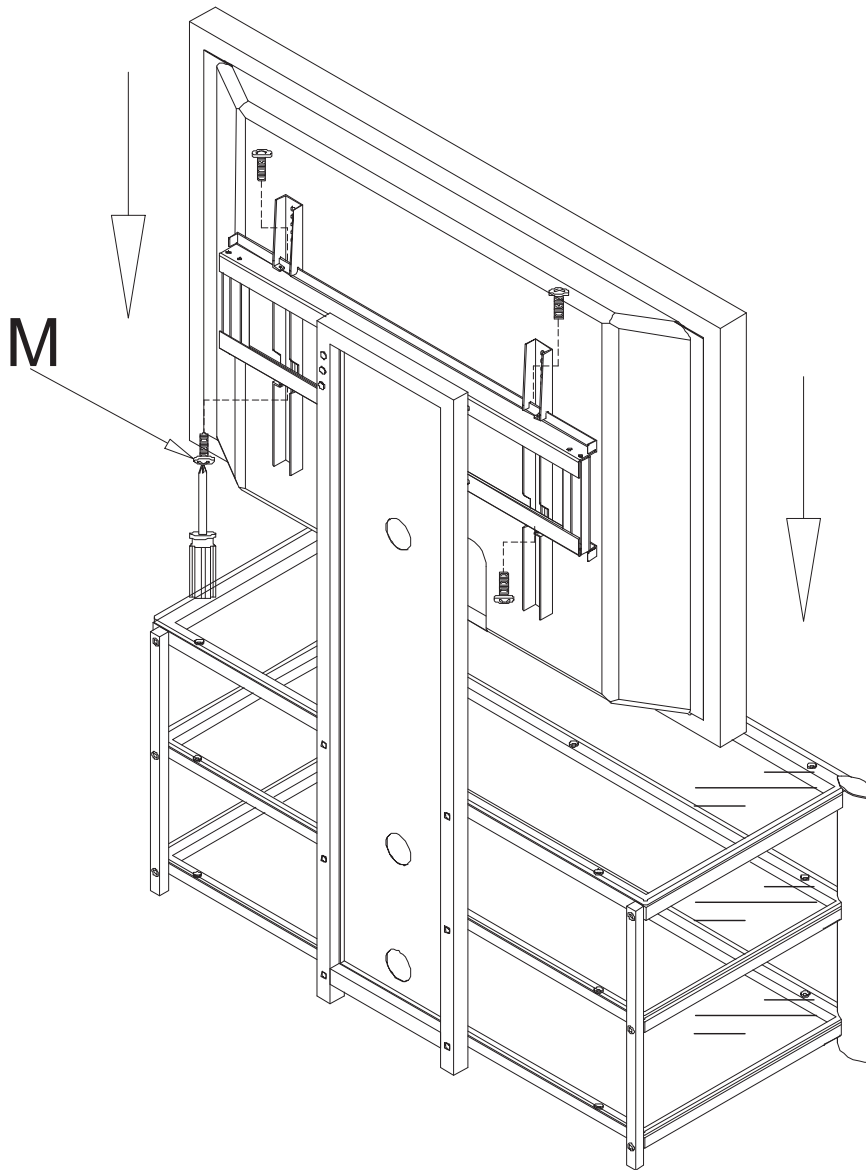


M

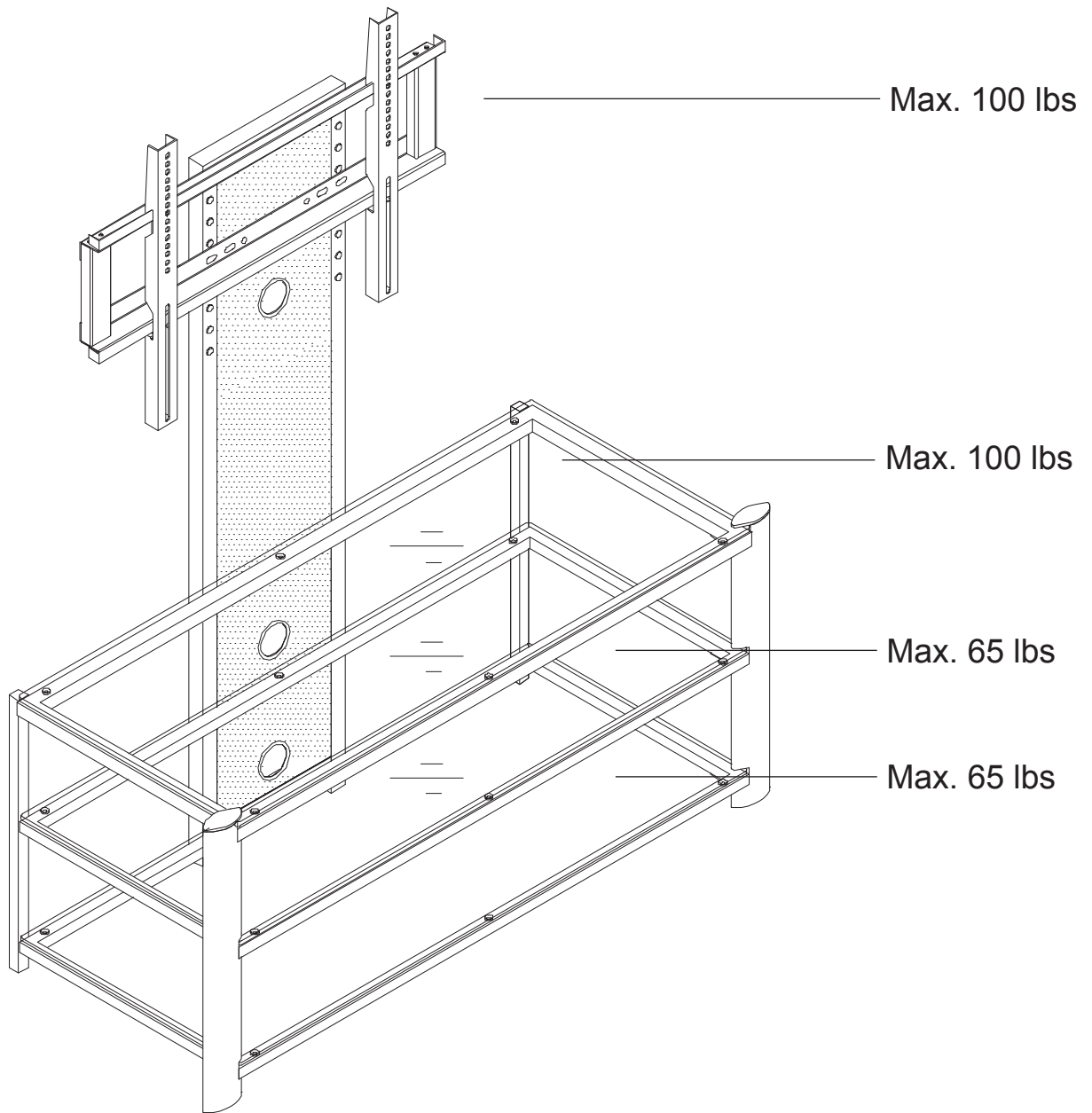
Tools needed / not included:



Phillips screwdriver



7-After mounting the brackets (J & K) to TV, hang TV onto folder (I), then fasten screws (M).



Product Warranty: Atlantic Inc., warrants to the original purchaser that its products are free from defect in materials or workmanship. If after inspection, we find that the product was defective in materials or workmanship, we shall repair or replace the product at our discretion. This warranty does not cover accidental damage, misuse, improper care or alteration and excludes claims for incidental or consequential loss. This limited warranty applies to product purchased in the U.S. and Canada.

Keep this Instruction Manual for future reference.

Keep your original proof of purchase (store receipt).

If parts are missing, DO NOT return to the store.  
 To order missing / replacement parts or for assembly assistance please contact [customer\\_relations@atlantic-inc.com](mailto:customer_relations@atlantic-inc.com).  
 Or call 1-800-747-2660 M-F, 8am-5pm, P.S.T.

**ATLANTIC®**

©2008 Atlantic Inc. Santa Fe Springs, CA, U.S.A.  
 U.S. and other foreign patents pending /  
 Patentes de los EUA y países extranjeros en trámite /  
 Brevets en cours pour les États-Unis et autres pays /  
 U.S. und andere ausländische Patente sind hängig

All rights reserved / Derechos Reservados /  
 Tous droits réservés / Alle Rechte vorbehalten

Made in China / Hecho en China /  
 Fabriqué en Chine / Hergestellt in China

[www.atlantic-inc.com](http://www.atlantic-inc.com)

R1.0 080305 #67035439



## Free Manuals Download Website

<http://myh66.com>

<http://usermanuals.us>

<http://www.somanuals.com>

<http://www.4manuals.cc>

<http://www.manual-lib.com>

<http://www.404manual.com>

<http://www.luxmanual.com>

<http://aubethermostatmanual.com>

Golf course search by state

<http://golfingnear.com>

Email search by domain

<http://emailbydomain.com>

Auto manuals search

<http://auto.somanuals.com>

TV manuals search

<http://tv.somanuals.com>