

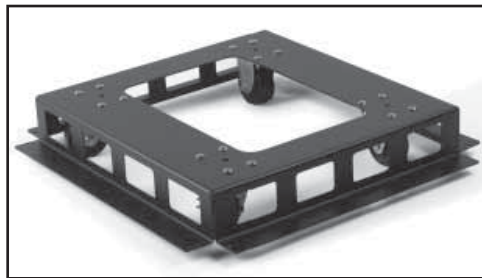


# RACK, HEAVY DUTY 14 GAUGE GANGABLE WITH ADJUSTABLE RAILS - FMA SERIES

FMA Series Gangable Cabinets  
FMA44-36G  
FMA44-25G  
FMA35-25G



FMA Series (gangable) Cabinets



Optional FMARTK25 Roller Truck

## FEATURES

- Available in the most popular heights & depths
- Designed with contractor input to meet storage and wire management needs for today and into the future
- Increased width for better wire management
- Rear door included
- 14 gauge tops/bottoms/frames
- 16 gauge side panels
- Hat sections are completely redesigned with rail slot and retainer hole for extra strength
- Two pairs of 11 gauge CRS adjustable mounting rails plated, drilled and tapped 10-32 with hash marks to indicate rack unit increments.
- Slots in rack rails for cable pass-through and front door hinge access (SM doors)
- Leg levelers included
- Threaded inserts installed for optional surface doors
- Hat sections sized to facilitate standard 19" panels—handy for mounting "stick-on" modules and other hardware
- Slots maintained in hat sections for wire management
- Knockouts on removable standard 2RU panels (rear of cabinet top & bottom) Panel includes  $\frac{3}{8}$ " KOs for BNC connectors (perfect for diversity wireless systems)
- Increased vent space on top sections—use Atlas Sound fan panels or 5000 series to panels
- Stocked in scratch resistant textured black (-962)
- Other convenience, cooling, and electronic accessories are available
- 2RU panel on bottom for cable pass-through between cabinets
- New lift-off (optional), locking side panels—"swing-out" design facilitates easy service access
- Holes for ganging hardware pass through (joins racks)
- UL listing & seismic rating pending

## APPLICATIONS

The Atlas Sound FMA series of vertical cabinets offer the flexibility of designing modular configurations to match specific installation needs. Superior wire management designs make them ideal for single and multi-bay configurations where easy accessibility to wiring in and between racks is desired. Designed for a high strength-to-weight ratio, these racks are built to E.I.A. specifications. Standard #EIA-310-C meets most OEM, commercial, and military requirements. All are commonly used to house electronic, communications, computer, security, and switching equipment in commercial, industrial, and institutional applications.

## GENERAL DESCRIPTION

The new Atlas Sound FMA (Folded Metal Assembly) design incorporates an innovative "Radius" look characterized by sleek corners and seamless joints. This new look blends effortlessly in today's ergonomically designed office environment. A wider footprint of over 24" offers installers the luxury of more available working space, particularly valuable in wire management applications where space is often inherently limited.

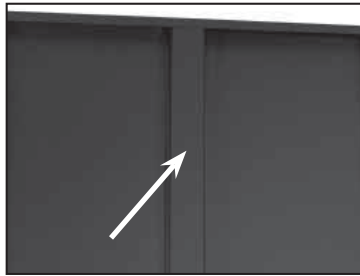
All units feature 14 gauge steel tops/bottoms and frames. A flush mount 16 gauge steel rear door with integral "stop" to prevent over-travel is included as standard.

Specifications subject to change without notice

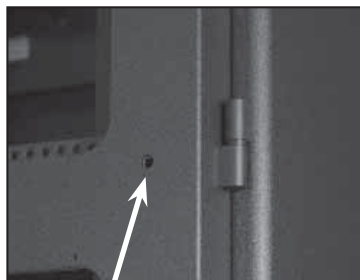


1601 JACK MCKAY BLVD. / ENNIS, TEXAS 75119 U.S.A.  
TELEPHONE: (800) 876-3333 / FAX (800) 765-3435

AtlasSound.com



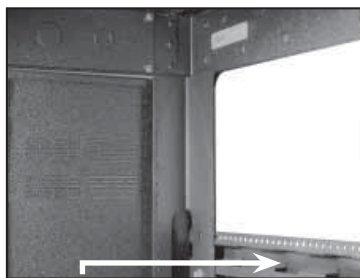
Reinforced stiffeners on all side panels. Lift-off locking side panels—"swing-out" design facilitates easy service access



Pre-drilled holes allow multiple cabinets to be connected or ganged



Increased vent space on top sections



Hat section features integrated provision for clean wire management

The Atlas Sound FMA series features completely redesigned "hat" sections for added strength & greater versatility in rack rail positioning. The hat sections include a rack rail slot along with holes spaced the entire length of the hat section to allow for easy, secure positioning of the rack rails. This newly designed hat section is also spaced in the cabinet to allow the installation of standard 19" blank panels vertically inside the cabinet. This is perfect for "stick-on" type accessories like Atlas Sound DC power supplies & relays. Hat sections also feature slotted cut-outs for clean, organized wire management.

For optimum wire management, unique, removable 2RU high panels are positioned behind cutouts at the top & bottom on the rear of the cabinet. These panels include a variety of knockouts ranging in size from 3/8" to 1 1/4" to facilitate rigid or flexible conduit. 3/8" knockouts (x2) are also included on this panel to allow installation of BNC connectors commonly used for diversity wireless microphone systems. The cabinet top sections offer large, vent openings for maximum ventilation. This comes in especially handy when thermal sensitive amplifiers and/or digital rack mount equipment are mounted in a FMA cabinet.

Leg levelers are included with the FMA series at no additional cost to provide alignment regardless of floor evenness but in instances where maneuverability of the cabinet is required, an optional caster kit allows easy positioning without significantly increasing the cabinet's overall height.

Cabinets include two pair (front/back) 11 gauge plated steel rack rails tapped 10-32 and include the new Atlas Sound RU indicators to aid in aligning equipment during installation. Threaded inserts are included on the front of the cabinet to save installation time when a front door is required.

Optional FMA series side panels "swing-out" for easy serviceability of equipment housed in the cabinet while maintaining security. These heavily reinforced side panels install easily on unique "lift-off" hinge assemblies. All mounting holes and cabinet hardware is provided to join multiple FMA & G series cabinets.

UL listing & seismic rating pending.

## OPTIONAL ACCESSORIES

### Vented side panels

Matches FMA44-36LRPV – FMA44-36G

Matches FMA44-25LRPV – FMA44-25G

Matches FMA35-25LRPV – FMA35-25G

### FMARTK25

Includes (2) locking swivel and (2) rigid casters with mounting hardware.

For FMA44-25G and FMA35-25G models only

### Perforated top panels

TPP-19-25-962 – Matches FMA44-25G, FMA35-25G

### Solid top panels

TPS-19-25-962 – Matches FMA44-25G, FMA35-25G

TPS-19-36-962 – Matches FMA44-36G

### High power top mounting fan kits

EFT19-25-962 – Matches FMA44-25G, FMA35-25G

MODEL	Rack Rail to 1.0" Front Door Clearance (with front rack rail in forward most position)*	Rack Rail to 3.0" Front Door Clearance (with front rack rail in forward-most position)*	Overall Usable Mounting Depth (front rail face to rear rail face with rails at full front extension front to back)	Front Rack Rail to Rear Door Clearance (with front rack rail in farthest forward position)
FMA44-36G	2.0" (50.8mm)	3.813" (96.8mm)	34.08" (865.6mm)	34.98" (888.5mm)
FMA44-25G	2.0" (50.8mm)	3.813" (96.8mm)	23.58" (598.9mm)	24.48" (621.8mm)
FMA35-25G	2.0" (50.8mm)	3.813" (96.8mm)	23.58" (598.9mm)	24.48" (621.8mm)

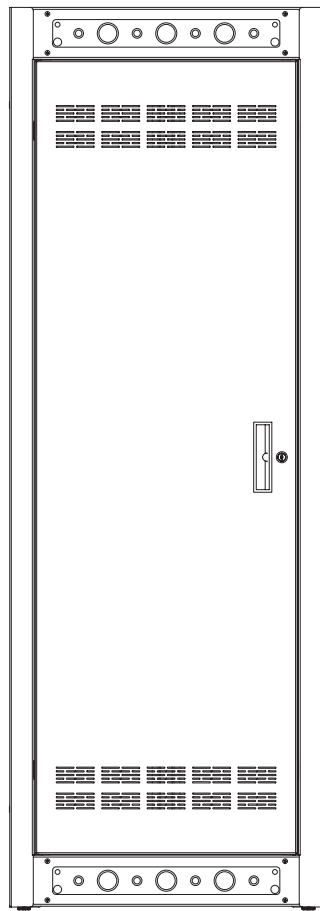
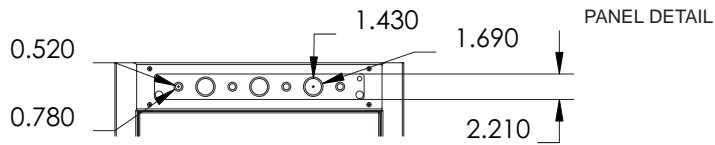
\* Does not account for 3.5" area in center of cabinet where door handle and lock could cause interference with equipment knobs if rack rails are located fully forward.

Specifications subject to change without notice

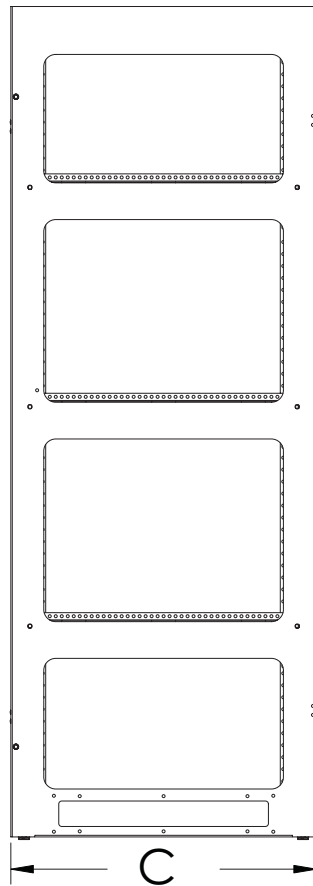


1601 JACK MCKAY BLVD. / ENNIS, TEXAS 75119 U.S.A.  
TELEPHONE: (800) 876-3333 / FAX (800) 765-3435

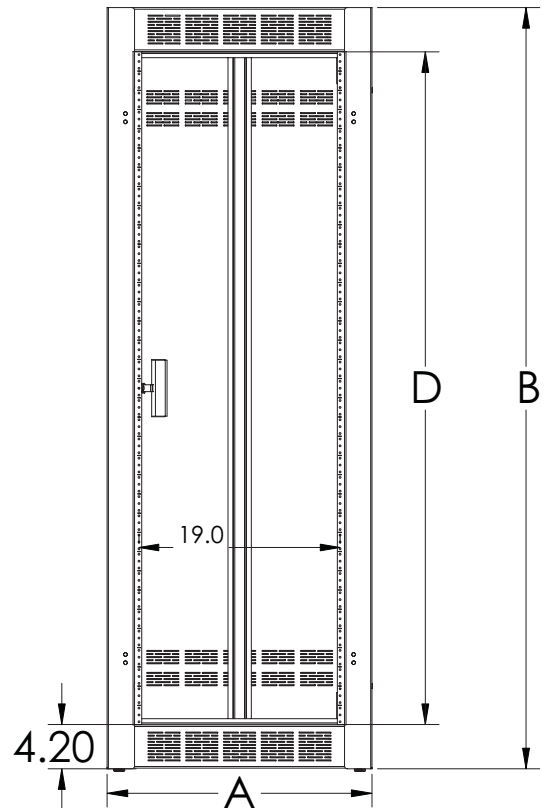
AtlasSound.com



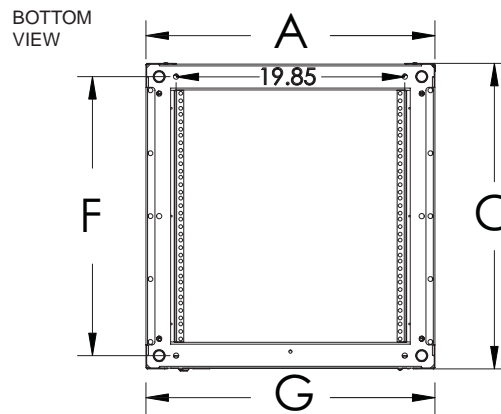
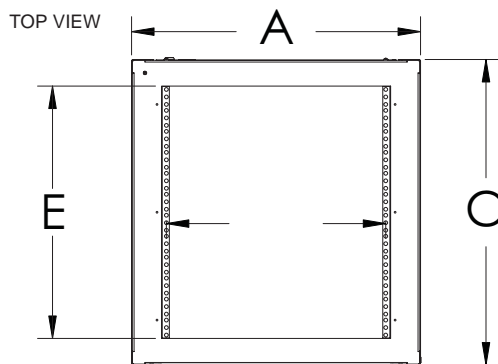
BACK VIEW



SIDE VIEW



FRONT VIEW



Specifications subject to change without notice



1601 JACK MCKAY BLVD. / ENNIS, TEXAS 75119 U.S.A.  
 TELEPHONE: (800) 876-3333 / FAX (800) 765-3435

AtlasSound.com

MODEL GANGING	OUTSIDE DIMENSION			PANEL SPACE (D)	TOP PANEL OPENING (E)	FLOOR MOUNTING HOLE LOCATION (F)	OPTIONAL 1" DEEP PLEXIGLASS SURFACE MOUNT FRONT DOOR	OPTIONAL 1" DEEP PERFORATED STEEL SURFACE MOUNT FRONT DOOR	OPTIONAL 1" DEEP SOLID STEEL SURFACE MOUNT FRONT DOOR	OPTIONAL 3" DEEP PERFORATED STEEL SURFACE MOUNT FRONT DOOR
	WIDTH (A)	HEIGHT (B)	DEPTH (C)			(G)				
FMA44-36G	24.125 (612.65mm)	85.063" (2160.59mm)	36" (914mm)	77.063" (44RU) (1957.39mm)	31.625" (18RU) (803.285mm)	33.789" (858.25mm) 19.09" (484.89mm)	PFD44	MPFD44	SFD44	MPFD44-3
FMA44-25G	24.125 (612.65mm)	85.063" (2160.59mm)	25.5" (648mm)	77.063" (44RU) (1957.39mm)	21.0625" (12RU) (535mm)	23.289" (591.55mm) 19.09" (484.89mm)	PFD44	MPFD44	SDF44	MPFD44-3
FMA35-25G	24.125 (612.65mm)	69.313" (1760.54mm)	25.5" (648mm)	61.313" (35RU) (1557.34mm)	21.0625" (12RU) (535mm)	23.289" (591.55mm) 19.09" (484.89mm)	PFD35	MPFD35	SDF35	MPFD35-3

MODEL GANGING	OPTIONAL CASTER KIT	OPTIONAL VENTED SIDE PANELS
FMA44-36G	NONE	FMA44-36LRPV
FMA44-25G	FMARTK25	FMA44-25LRPV
FMA35-25G		FMA35-25LRPV

### ARCHITECT AND ENGINEER SPECIFICATIONS

FMA SERIES. Equipment rack shall be Atlas Sound Model \_\_\_\_\_. It shall be 14 gauge CRS frame with 14 gauge top and bottom sections and include two pairs of 11 gauge CRS adjustable mounting rails plated, drilled and tapped 10-32 with hash marks to indicate rack unit increments. Bottom section shall be reinforced with 12 gauge stiffeners front to back. Base to be tapped to accept factory installed leg levelers and punched to accept optional casters. Cabinet depth shall be \_\_\_\_\_. Frame shall be finished in -962 black powder coat epoxy.

Optional:  
Cabinet shall be enclosed with 16 gauge CRS swing out side panels Model \_\_\_\_\_. Side panels shall include locks keyed with technician key. Racks shall be provided with 16 gauge CRS solid or perforated top panel Model \_\_\_\_\_.

Racks shall be provided with 550 CFM top mounting fan panel Model \_\_\_\_\_.

Door(s) shall be Model \_\_\_\_\_. Doors shall include cylinder lock, handle and shall be hinged (right, left).

Model \_\_\_\_\_. Single frame and/or entire installation shall be on casters Model \_\_\_\_\_.

Specifications subject to change without notice



1601 JACK MCKAY BLVD. / ENNIS, TEXAS 75119 U.S.A.  
TELEPHONE: (800) 876-3333 / FAX (800) 765-3435

AtlasSound.com

## Free Manuals Download Website

<http://myh66.com>

<http://usermanuals.us>

<http://www.somanuals.com>

<http://www.4manuals.cc>

<http://www.manual-lib.com>

<http://www.404manual.com>

<http://www.luxmanual.com>

<http://aubethermostatmanual.com>

Golf course search by state

<http://golfingnear.com>

Email search by domain

<http://emailbydomain.com>

Auto manuals search

<http://auto.somanuals.com>

TV manuals search

<http://tv.somanuals.com>