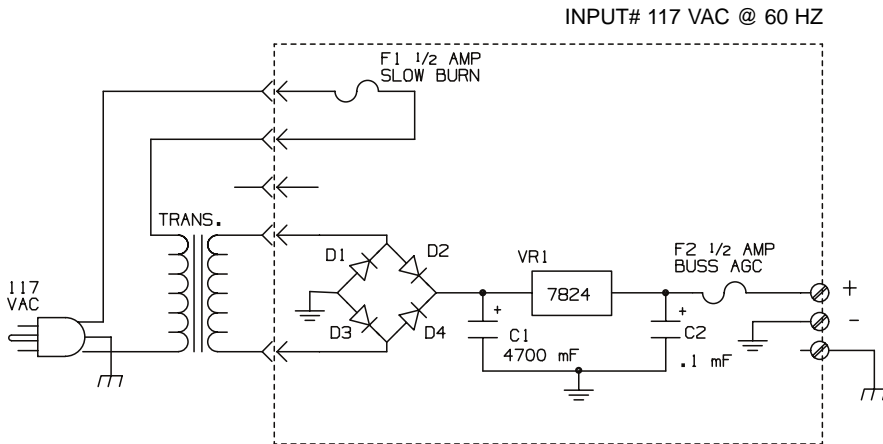




RPS24-05 POWER SUPPLY

INSTALLATION INSTRUCTIONS



PARTS LIST	
REFERENCE	DESCRIPTION
T1	POWER TRANSFORMER
F1, F2	FUSE 1/2 AMP SLOW BURN
D1-D4	DIODE 1A. 200 PIV
C1	CAPACITOR 4700 mF
C2	CAPACITOR .1 mF 100V
VR1	VOLTAGE REGULATOR 24V
-	P.C. BOARD BLANK

Specifications are subject to change without notice

AtlasSound.com

1601 JACK MCKAY BOULEVARD ENNIS, TEXAS 75119 U.S.A. • TELEPHONE: (800) 876-3332 • FAX: (800) 765-3435

©2002 ATLAS SOUND LP

Printed in U.S.A.

00602

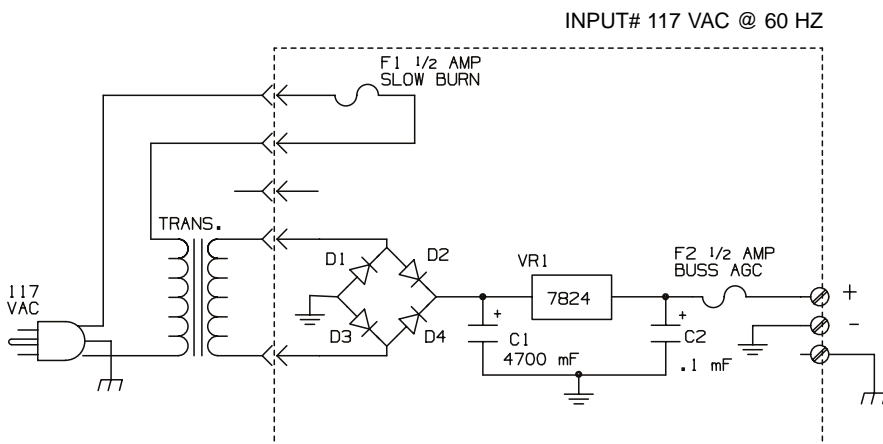
ATS001301 RevC 6/02

PN 214073



RPS24-05 POWER SUPPLY

INSTALLATION INSTRUCTIONS



PARTS LIST	
REFERENCE	DESCRIPTION
T1	POWER TRANSFORMER
F1, F2	FUSE 1/2 AMP SLOW BURN
D1-D4	DIODE 1A. 200 PIV
C1	CAPACITOR 4700 mF
C2	CAPACITOR .1 mF 100V
VR1	VOLTAGE REGULATOR 24V
-	P.C. BOARD BLANK

Specifications are subject to change without notice

AtlasSound.com

1601 JACK MCKAY BOULEVARD ENNIS, TEXAS 75119 U.S.A. • TELEPHONE: (800) 876-3332 • FAX: (800) 765-3435

©2002 ATLAS SOUND LP

Printed in U.S.A.

00602

ATS001301 RevC 6/02

PN 214073

Free Manuals Download Website

<http://myh66.com>

<http://usermanuals.us>

<http://www.somanuals.com>

<http://www.4manuals.cc>

<http://www.manual-lib.com>

<http://www.404manual.com>

<http://www.luxmanual.com>

<http://aubethermostatmanual.com>

Golf course search by state

<http://golfingnear.com>

Email search by domain

<http://emailbydomain.com>

Auto manuals search

<http://auto.somanuals.com>

TV manuals search

<http://tv.somanuals.com>