

# ATN PS-22

## NIGHT VISION ATTACHMENT



### *u s e r ' s   g u i d e*

**Important Export Restrictions!** Commodities, products, technologies and services contained in this manual are subject to one or more of the export control laws and regulations of the U.S. Government and they fall under the control jurisdiction of either the US Department of State or the US BIS-Department of Commerce. It is unlawful and strictly prohibited to export, or attempt to export or otherwise transfer or sell any hardware or technical data or furnish any service to any foreign person, whether abroad or in the United States, for which a license or written approval of the U.S. Government is required, without first obtaining the required license or written approval from the Department of the U.S. Government having jurisdiction. Diversion contrary to U.S. law is prohibited.



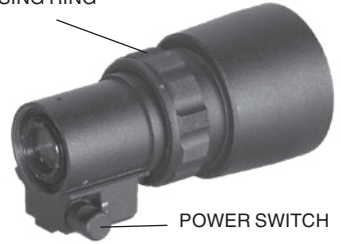
**AMERICAN  
TECHNOLOGIES  
NETWORK  
CORP.**

FAST CATADIOPTIC  
FRONT LENS  
SYSTEM WITH  
MULTI-COATED ALL  
GLASS OPTICS



BATTERY CAP

FOCUSING RING



POWER SWITCH



FRONT LENS CAP



LIGHT SCREEN



7/8" WEAVER MOUNT



BACK CAP



ADAPTER



FILTER  
(OPTIONAL)



PICATINNY RAIL  
(OPTIONAL)



RING ADAPTER WITH INSERT  
(OPTIONAL)



**ATN PS-22 with ATN 5x33L and IR 450  
(with using the 7/8" weaver mount  
and platform ring for IR450)**



**ATN PS-22 with ATN 3,5x26 and IR 450  
(with using the ring adapter)**



**ATN PS-22 with ATN 5x33L and IR 450  
(with using the ring adapter and picatinny  
rail for IR illuminator)**

The information in this manual furnished for information use only, is subject to change without notice, is not to be construed as a commitment by ATN Corp.

ATN Corp. assumes no responsibility or liability for any errors or inaccuracies that may appear in this book.

©2006 ATN Corp. All right reserved.

# APPLICATION

---

The PS-22 is attachment for daytime riflescopes with 1x-6x (2.5x-4x are optimal) magnification that converting scope into a high quality, very accurate night vision weapon sight.

The PS-22 mounts in front of daytime scope. Re-zeroing of scope not required. PS-22 comes standard with 7/8" weaver mount. There is also Adapter for ARMS quick release mount. Optional Ring Adapters allows to mount unit onto the objective of the day scope (25...58mm diameter). The IR illuminator can be mounted onto the optional Picatinny Rail.

The PS-22 utilizes a 2nd Gen.+ or 3rd Gen. Image Intensifier Tube. This ingenious setup allows the shooter to go from day to night in less then 30 seconds without tools, without changes in eye relief and remain zeroed all around the clock.

The PS-22 is a complex optical-electronic system. The device contains an image intensifier tube assembly with an integrated high voltage power source and the three volt battery housing.

Objective lens protective cover is intended to protect objective lens from dust, scratches and high-level illumination. The pinhole in cover allows the user to check the operation ability of the device in highlight conditions.

The device has a built in Automatic Brightness Control. This system automatically adjusts the brightness of Image Intensifier Tube to the optimal level.

The Automatic Highlight Protective System analyzes light exposure. If high light exposure is kept more than 10 seconds the device automatically will off.

**NOTE:** *The automatic highlight protective system and automatic brightness control system do not protect a sight from damage by bright light sources (a fire, headlights of the automobile, lanterns, etc.). Do not point the device at a bright light source.*

# FEATURES

---

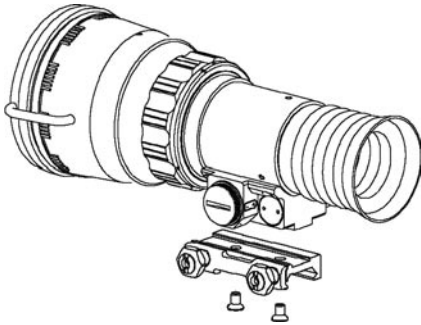
- Easily changes daytime scope to Night Vision
- Mounts in front of daytime scope, no re-zeroing required
- Available in 2nd + and 3rd generation
- Multi-coated all glass optics
- Fast catadioptric front lens system
- Large 40mm eyepiece/output window
- Light weight and rugged
- Comes standard with 7/8" weaver mount
- Adapter for ARMS quick release mount included
- Optional adapters for mounting onto the objective of the day scope (25...58mm diameter)

# SPECIFICATIONS

---

Magnification .....	1X
Intensifier Tube.....	2nd Gen+ or 3rd Gen
Lens System.....	F1:1.44, 80mm
FOV .....	13°
Power Supply .....	one 3 Volt Battery(CR123A)
Range Of Focus .....	10m to Infinity
Battery Life .....	50 hours
Operating Temperature .....	-40°C to +50°C
Waterproof.....	10m for 30min.
Dimensions .....	139mm X 80mm X 72mm
Weight .....	0.6kg

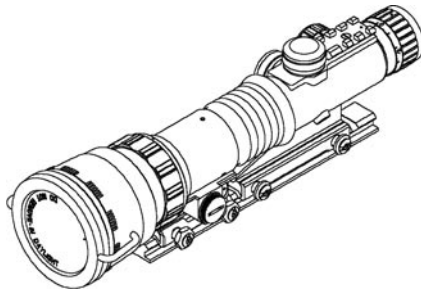
# MOUNTING



## Mounting onto the Weaver rail with 7/8" Weaver Mount

- 1) Mount the 7/8" Weaver Mount onto the body of PS-22 with 2 screws M4x7 from set.
- 2) Unscrew the protective back cap from PS-22.
- 3) Screw the Light Screen into the thread in back side of unit.
- 4) Slightly loosen the fixing screws of mount.
- 5) Place the PS-22 on the weaver rail of the fire arm before objective of daytime scope on the minimal distance from it. The optical axes of PS-22 and daytime scope must have divergence not more than 3mm. High of optical axe of the PS-22 under weaver rail is 40mm with standard mount and corresponded ATN 3.5x26 scope.
- 6) Tighten the fixing screws.

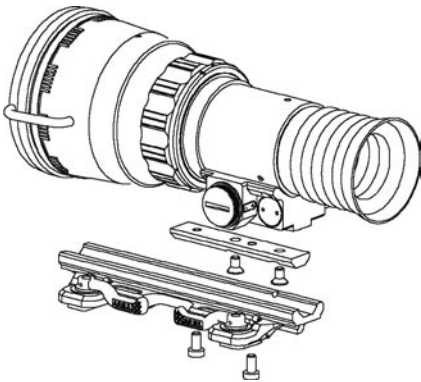
**NOTE:** Fixing screws may need to be tightened after continuous shooting.



## Mounting onto the Weaver rail with A.R.M.S. Mount

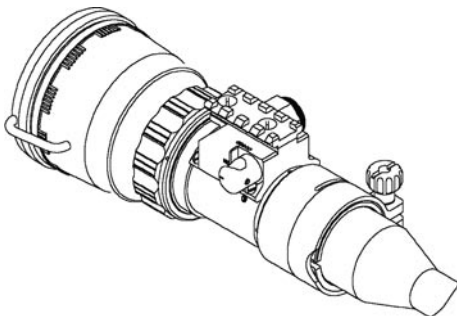
- 1) Mount the Adapter onto the body of PS-22 with 2 screws M4x7 from set.
- 2) Mount the PS-22 with Adapter onto the A.R.M.S.#10 or A.R.M.S.#19 ACOG with 2 screws M5x8.
- 3) Unscrew the protective back cap from PS-22.
- 4) Screw the Light Screen into the thread in back side of unit.
- 5) Slightly loosen the fixing screws or levers of mount.
- 6) Place the PS-22 on the weaver rail of the fire arm before objective of daytime scope on the minimal distance from it. The optical axes of PS-22 and daytime scope must have divergence not more than 3mm. High of optical axe of the PS-22 under weaver rail is 49mm with A.R.M.S.#19 ACOG.
- 7) Tighten the fixing screws or levers of mount.

**NOTE:** Fixing screws may need to be tightened after continuous shooting.



## Mounting onto the objective of the day scope with Optional Ring Adapters

- 1) Unscrew the protective back cap from PS-22.
- 2) Screw the Ring Adapter into the thread in back side of unit.
- 3) Slightly loosen the fixing screws of Ring Adapter.
- 4) Put the Insert into the Adapter



- 5) Slide the PS-22 with Adapter onto the objective of day scope.
- 6) Tighten hard the fixing screws of the Ring Adapter.
- 7) Mount the Picatinny Rail Adapter onto the body of PS-22 with 2 screws M4x7 from set.
- 8) Place the IR Illuminator onto the Picatinny Rail.

**Optional Ring Adapters allows to mount unit onto the objective of the day scope  
(25...58mm diameter)**

Ring Adapter #	Diametr of scope lens (insert size)	Examples of scopes
1	25.4	Leupold 1,5-5x20 PR
	30	Leupold 1,5-5x20 MR/T M2, Zeiss 1,1-4x24 T
2	38	Meopta Artemis 2000 4x32
	42	Leupold 3-9x36, Kahles 4x36
3	46.5	Leupold 3,5-10x40
	48	Zeiss1,5-6x42, Swarovski PV-N 2,5-10x42
	fro 48.7 to 49.0	Meopta Artemis 3000 3-9x42
	49.5	Meopta Artemis 3000 4-12x40
	50	Schmidt@Bender 10x42 PMII
4	56	Zeiss 2,5-10x50
	57	Schmidt@Bender 3-12x50
	58.4	Leupold 4,4-14x50

## OPERATION

---

- Place the PS-22 before objective of daytime scope.
  - Put power switch in OFF-position.
  - Install the battery into the housing with the polarity order as shown on the devices body. The battery is 3 volt lithium battery (CR123A).
  - Turn the devise on by rotation the power switch into the ON-position. The greenish-lit screen of the image tube (when looking through the eyepiece) means that the image tube is powered.
- Do not turn the unit on in the daytime without the protective lens cap on.
- Next, remove the lens cap.
  - Observe the scene and adjust the focusing of PS-22 by rotation the focusing ring. Also focusing daytime scope for optimal clarity.
  - Turn on the illumination of day scope reticle (if it present) and adjust the brightness.
  - Put power switch in OFF-position for turn PS-22 off.

## WARNINGS AND CAUTIONS

---

- Always remember to turn off the PS-22 when it is not in use. If you do not plan on using your unit for a period of more than 10 days, you should remove the batteries.
- **Keep lens cap on when not in use.**
- Avoid contact with dust, steam, and gas.
- The PS-22 is not harmful to the user or the environment.
- Do not disassemble: **it will void your warranty.**
- Never use in daylight without the lens cap on.
- **Never point the PS-22 at a bright light source.** If the scope shuts off automatically after directing it at a bright light source, turn the unit off and wait 1 - 2 minutes before turning the unit back on.
- Adverse atmospheric conditions such as fog, smog, or haze and a lack of ambient light (moon or starlight) may diminish the effective viewing distance. All technical data for this unit was compiled in a controlled environment.

## TROUBLE SHOOTING

---

**Q:** Flashes, flickers or clicking occur while operating

**S:** If it occurs within the first five minutes of inserting new batteries, it is normal and the device will resume normal operation soon thereafter. If it occurs for more than 10 minutes, contact for service instructions.

**Q:** Dark spots on screen.

**S:** These are either cosmetic blemishes in the intensifier tube or dust particles.

**Q:** Screen becomes darker than at previous use.

**S:** Replace batteries. If problem persists, contact your dealer or other authorized service representative for service instructions.

**Q:** Image not clear.

**S:** Adjust objective lens, and/or the eyepiece.

## ATN LIMITED LIFETIME WARRANTY

ATN Limited Lifetime Warranty is limited to the product being free of manufacturer defects in materials and workmanship. In regards to night vision products the image intensifier tube is warranted to be free from manufacturer defects for a period of 2 years (defects do not include minor black spots or blemishes in viewing area). ATN will repair or replace said products or part thereof which upon inspection by ATN are found to be defective in materials or workmanship. As a condition to the obligation of ATN to repair or replace said product, the product must be returned to ATN together with proof-of-purchase satisfactory to ATN. This warranty does not cover damages caused by misuse or improper handling. This warranty is null and void if modification or maintenance is provided by parties other than ATN Corp. In the event a defect that is covered by the foregoing warranty occurs during the applicable period stated above, ATN, at its option, will either repair or replace the product, and such action on the part of ATN shall be the full extent of ATN's liability, and the Customer's sole and exclusive remedy. This warranty does not cover a product (a) used in other than its normal and customary manner; (b) subjected to misuse; (c) subjected to alterations, modifications or repairs by the Customer of by any party other than ATN without prior written consent of ATN; (d) special order or "close-out" merchandise or merchandise sold "as-is" by either ATN or the ATN dealer; or (e) merchandise that has been discontinued by the manufacturer and either parts or replacement units are not available due to reasons beyond the control of ATN. ATN shall not be responsible for any defects or damage that in ATN's opinion is a result from the mishandling, abuse, misuse, improper storage or improper operation, including use in conjunction with equipment which is electrically or mechanically incompatible with or of inferior quality to the product, as well as failure to maintain the environmental conditions specified by the manufacturer. **CUSTOMER IS HEREBY NOTIFIED THAT OPERATION OF THE EQUIPMENT DURING DAYLIGHT HOURS OR UNDER ANY EXCESSIVE LIGHT CONDITIONS MAY PERMANENTLY DAMAGE THE INTERNAL COMPONENTS OF THE UNIT AND SAID DAMAGE WILL NOT BE COVERED UNDER THIS WARRANTY.** This warranty is extended only to the original purchaser. Any breach of this warranty shall be waived unless the customer notifies ATN at the address noted below within the applicable warranty period.

The customer understands and agrees that except for the foregoing warranty, no other warranties written or oral, statutory, expressed or implied, including any implied warranty of merchantability or fitness for a particular purpose, shall apply to the product. All such implied warranties are hereby and expressly disclaimed.

## LIMITATION OF LIABILITY

ATN will not be liable for any claims, actions, suits, proceedings, costs, expenses, damages or liabilities arising out of the use of this product. Operation and use of the product are the sole responsibility of the Customer. ATN's sole undertaking is limited to providing the products and services outlined herein in accordance with the terms and conditions of this Agreement. The provision of products sold and services performed by ATN to the Customer shall not be interpreted, construed or regarded, either expressly or implied, as being for the benefit of or creating any obligation toward any third party of legal entity outside ATN and the Customer; ATN's obligations under this Agreement extend solely to the Customer. **ATN's liability hereunder for damages, regardless of the form or action, shall not exceed the fees or other charges paid to ATN by the customer or customer's dealer. ATN shall not, in any event, be liable for special, indirect, incidental or consequential damages, including, but not limited to, lost income, lost revenue or lost profit, whether such damages were foreseeable or not at the time of purchase, and whether or not such damages arise out of a breach of warranty, a breach of agreement, negligence, strict liability or any other theory of liability.**

## PRODUCT WARRANTY REGISTRATION

In order to validate the warranty on your product, ATN must receive a completed Product Warranty Registration Card for each unit. Please complete the form below and immediately mail it to our Service Center: ATN Corp. , 20 S. Linden Ave. Suite 1B, South San Francisco, CA 94080. Products qualifying for warranty repair will be either repaired or replaced within 10 business days of receipt of merchandise unless the customer is notified otherwise.

## OBTAINING WARRANTY SERVICE

To obtain warranty service on your unit, take or send the product, postage paid, with a copy of your sales receipt to our service center, ATN Corporation at the address noted above. All merchandise must be fully insured with the correct postage; ATN will not be responsible for improper postage or, missing or damaged merchandise during shipment.



For customer service and technical support, please contact  
American Technologies Network Corp.

**North American Office**

20 S. Linden Ave. Suite 1B, South San Francisco, CA 94080  
phone: 800-910-2862, 650-875-0130; fax: 650-875-0129

**European Office**

phone: 44(0)870-0111286, fax: 44(0) 845-3349142

The following countries can use our  
**toll free number 00 800 9102-8620**

Austria, France, Germany, Holland, Italy, Spain, Sweden, Switzerland

**[www.atncorp.com](http://www.atncorp.com)**



## Free Manuals Download Website

<http://myh66.com>

<http://usermanuals.us>

<http://www.somanuals.com>

<http://www.4manuals.cc>

<http://www.manual-lib.com>

<http://www.404manual.com>

<http://www.luxmanual.com>

<http://aubethermostatmanual.com>

Golf course search by state

<http://golfingnear.com>

Email search by domain

<http://emailbydomain.com>

Auto manuals search

<http://auto.somanuals.com>

TV manuals search

<http://tv.somanuals.com>