

A275

Two-Channel Power Amplifier



ATON Technology in reach.™

INSTALLATION MANUAL

P/N 9803392 REV:B

Preface

Purpose of This Manual

This manual provides step-by-step installation instructions and connection examples, along with basic user information for installation and ongoing use of the A275 Two-Channel Power Amplifier. This manual is written for the installer of this equipment.

Organization

The following information is contained in this manual:

Safety Information	Provides a comprehensive list of safety practices and procedures allowing for the safe installation and operation of ATON's A275 Two-Channel Power Amplifier.
A275 Introduction	Provides an introduction to the A275 Two-Channel Power Amplifier, along with system features to include Front and Rear panel controls, indicators and connections, along with a short description of each.
A275 System Design Overview	Provides a system design application overview of the A275 Two-Channel Power Amplifier for use in audio applications.
A275 Connections	Provides a description of A275 Two-Channel Power Amplifier connections including connections made with ATON Multi-Room Systems and direct connections to the A275 Two-Channel Power Amplifier from other components.
Troubleshooting	Provides troubleshooting tables to help fix common discrepancies that may be associated with the A275 Two-Channel Power Amplifier.
Specifications	Appendix A provides equipment specifications for the A275 Two-Channel Power Amplifier.
Rack Mounting	Appendix B provides specifications for Rack Mounting of the A275 Two-Channel Power Amplifier using the included rack mount brackets.



**RISK OF ELECTRIC SHOCK
DO NOT OPEN!**

CAUTION: TO REDUCE THE RISK OF ELECTRIC SHOCK, DO NOT REMOVE COVER (OR BACK). NO USER SERVICEABLE PARTS INSIDE. REFER SERVICING TO QUALIFIED SERVICE PERSONNEL.

CAUTION: RISK OF EXPLOSION IF BATTERY IS REPLACED BY AN INCORRECT TYPE. DISPOSE OF USED BATTERIES ACCORDING TO THE INSTRUCTIONS.



The lightning flash with arrowhead symbol within an equilateral triangle is intended to alert the user to the presence of uninsulated "dangerous voltage" within the product's enclosure that may be of sufficient magnitude to constitute a risk of electric shock to persons.



The exclamation point within an equilateral triangle is intended to alert the user to the presence of important operating and maintenance (servicing) instruction in the literature accompanying the appliance.

**WARNING: TO REDUCE THE RISK OF FIRE OR SHOCK,
DO NOT EXPOSE THIS APPLIANCE TO RAIN OR MOISTURE.**



IMPORTANT SAFETY INFORMATION

Read Information—All the safety and operating information should be read before the appliance is operated.

Follow Information—All operating and use information should be followed.

Retain Information—The safety and operating information should be retained for future reference.

Heed Warnings—All warnings on the appliance and in the operating instructions should be heeded.

Wall Mounting—Mounting of this appliance should be done only by an authorized installer.

Ventilation—The appliances should be situated so that their location or position does not interfere with their proper ventilation. These appliances should never be placed near or over a radiator or heat register. These appliances should not be placed in a built-in installation such as a bookcase or cabinet that may impede the flow of air through the ventilation openings.

Non-Use Periods—Appliances that are left unattended and unused for long periods of time should be de-energized.

Power Sources—The appliances should be connected to a power supply only of the type described in the operating instructions or as marked on each appliance. If you are not sure of the type of power supply to your home, consult your authorized ATON dealer or local power company.

Grounding or Polarization—Do not defeat the safety purpose of the polarized or grounding-type plug. A polarized plug has two blades with one blade wider than the other blade. A grounding type plug has two blades and a third grounding prong. The polarized wide blade and the third prong are provided for your safety. If the provided plug does not fit your outlet, consult an electrician for replacement of the obsolete outlet.

Water and Moisture—To reduce the risk of electric shock or fire, these appliances should not be used near water—for example, near a bathtub, washbowl, kitchen sink, laundry tub, in a wet basement, or near a swimming pool.

Power Cord Protection—Protect the power cord from being walked on or pinched particularly at plugs, convenience receptacles and the point where they exit from the apparatus.

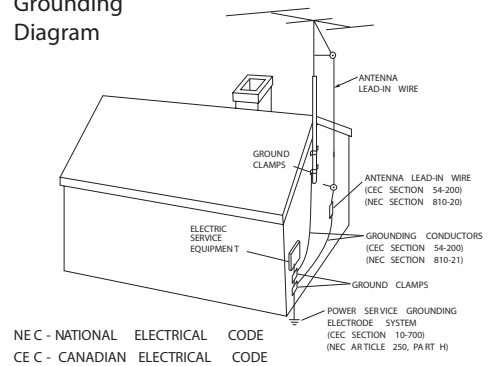
Telephones—Avoid using a telephone (other than a cordless type) during an electrical storm. There may be a remote risk of electrical shock from lightning. Do not use a telephone to report a gas leak if the leak is in the vicinity of the ATON electronic equipment because of risk of fire or explosion.

Cleaning—Unplug the apparatus from the power outlet before cleaning. Use only a dry cloth to clean the apparatus.

Power Lines—An outdoor antenna should be located away from power lines. When installing an outside antenna system, extreme care should be taken to avoid touching power lines or circuits, as contact with them may be fatal.

Outdoor Antenna Grounding—If an outside antenna or cable system is connected to these audio products, be sure the antenna or cable system is grounded so as to provide some protection against voltage surges and built-up static charges. Section 810 of the U.S. National Electrical Code, and Section 54 of the Canadian Electrical Code, provide information with respect to proper grounding of the mast and supporting structure, grounding of the lead-in wire to an antenna discharge unit, size of grounding conductors, location of antenna-discharge unit, connection to grounding electrodes, and requirements for the grounding electrode. See the grounding diagram (right).

Grounding Diagram



Overloading—Do not overload wall outlets and extension cords, as this could result in fire or electric shock.

Object and Liquid Entry—Never insert objects of any kind through the openings of these appliances, as they may touch dangerous voltage points or short-out parts that could result in a fire or electric shock. Care should be taken so that objects do not fall and liquids are not spilled into the appliance through openings in the enclosure.

Servicing—Do not attempt to service these appliances yourself, as opening or removing covers may expose you to dangerous voltage or other hazards. Refer all servicing to qualified service personnel.

Damage Requiring Service—These appliances should be serviced by qualified service personnel when:

- A power supply connection or a plug has been damaged or
- If liquid has been spilled into the appliance or objects have fallen into the appliance or
- The appliance has been exposed to water or moisture or
- The appliance does not appear to operate normally or exhibits a marked change in performance or
- The appliance has been dropped or the enclosure damaged.

Replacement Parts—When replacement parts are required, be sure the service technician has used replacement parts specified by the manufacturer or that have the same characteristics as the original part. Unauthorized substitutions may result in fire, electric shock, or other hazards. The Master Control Unit battery should be replaced only after turning the power off and only by an authorized installer.

Safety Check—Upon completion of any service or repairs to this audio product, ask the service technician to perform safety checks to determine that the audio product is in proper operating condition.

Lightning Storms—Unplug this apparatus during lightning storms or when unused for long periods of time.

Attachments and Accessories—Use only attachments/accessories specified by the manufacturer.

Cart, Stand, Tripod, Bracket or Table—Use only with a cart, stand, tripod, bracket or table specified by the manufacturer, or sold with the apparatus. When a cart is used, use caution when moving the cart/apparatus combination to avoid injury from tip over.



Disconnect Device—Where the mains plug or an appliance coupler is used as the disconnect device, the disconnect device shall remain operable.



Table of Contents

Purpose of This Manual |

Organization..... |

Safety Information |

Chapter 1: Introduction

Introduction 1

A275 Features 1

A275 Functions & Indicators 2

 Front Panel..... 2

 Rear Panel 2

Chapter 2: A275 System Design Overview

System Design

 Wiring Considerations 3

Applications 3-5

 Amp and Speaker Selector Applications 3-4

 Volume Control Applications 5

 Multi-Room Applications 6-7

Chapter 3: A275 Connections

Connections

 Line Inputs 8

 Line Output..... 9

 Speaker Connections..... 10

 Triggers 11

Chapter 4: Operations and Settings..... 12

Chapter 5: Troubleshooting 13-14

Appendix A: Specifications 15

Appendix B: Rack Mounting..... 16-17

Warranty 20

A275

Power Amplifier

**Items in package:**

- A275 Two-Channel Power Amplifier
- Rack Mount Brackets
- Installation Manual

Chapter 1: Introduction

Thank you for purchasing the ATON A275 Two-Channel Power Amplifier. Soon you will be experiencing the quality and reliability we place in all of our products. The backbone of any distributed audio system is the amplification. The true test of any amplifier is the ability to drive multiple speakers at low impedance for hours on end. In this arena, the A275 excels! Heat is the number cause for amplifier failure, or temporary audio loss from thermal shutdown protection circuitry, a.k.a. overheating. Of course that typically happens when you are entertaining a house full of guests! ATON designed the A275 with 2 long rows of external cooling fins to increase the heat dissipation capability. Higher cooling capacity equals longer product life, cleaner audio signal, and of course, more satisfied customers!

A275 Features

- **2 x 45 Watts per Channel @ 8 Ohms**
- **2 x 75 Watts per Channel @ 4 Ohms**

Buffered Line Outputs

- Allow the signal to be sent to other A275 amplifiers, A/V receivers, etc.

System Trigger In/Out

- SYSTEM TRIGGER IN allows all channels of the amplifier to UNMUTE when a signal is received.
- SYSTEM TRIGGER OUT sends a +12VDC pulse whenever any of the channels of the amplifier are UNMUTED.

Individual Channel Level Adjustment

- Fine-tune each channel's level using precision potentiometers.

5-Way Speaker Binding Post

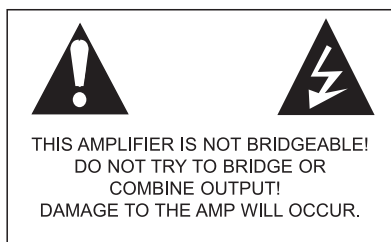
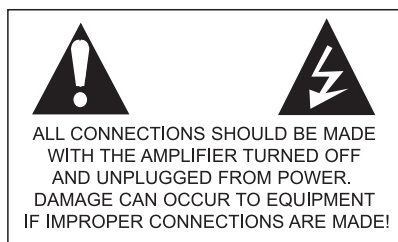
- The A275 is equipped with gold plated, 5-way speaker binding posts. This allows for five methods of speaker wire termination: bare wire, Spade lug, pin, single banana and dual banana plug.

Safety Concerns

Use only grounded outlets when powering this product. Making any modification to the power cord could cause unsafe operation and will void the manufacturer's warranty.

AC Power Considerations

The A275 requires 3.7 Amps of AC current. When designing any whole house system using multichannel amplifiers, make sure to provide adequate provisions for all electronic equipment to be installed. This may require additional outlets and/or circuit breakers to be installed. Consult a licensed electrician in this case.



A275 Front Panel Functions and Indicators

FRONT

Figure 1-1: A275 Front Panel

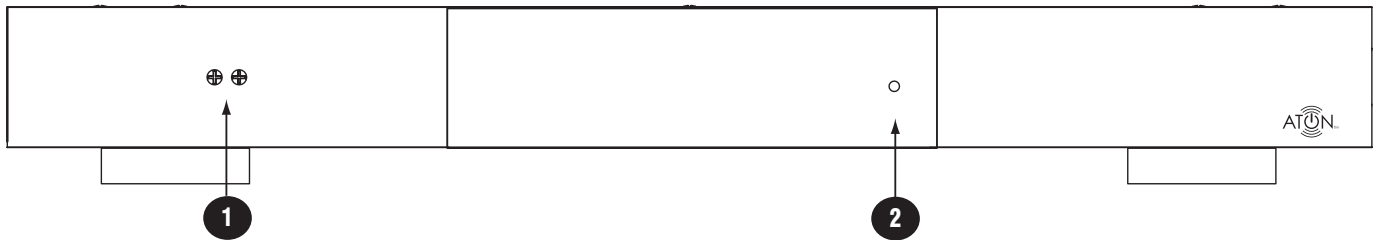


Table 1-1: Front Panel

ITEM	FUNCTION
1	Channel Gain Potentiometers (2)
2	POWER LED Glows blue when power switch is ON and unit is plugged in.

A275 Back Panel

BACK

Figure 1-2: A275 Back Panel

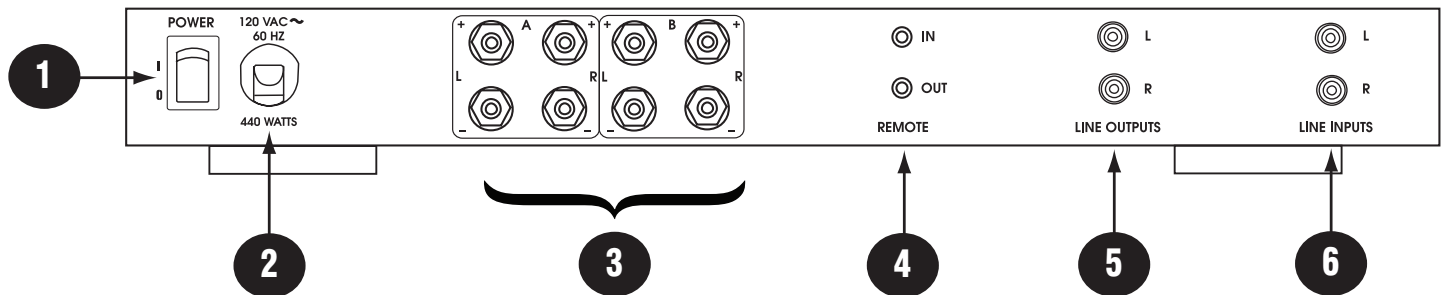


Table 1-2: Back Panel

ITEM	FUNCTION
1	POWER SWITCH
2	POWER CORD
3	SPEAKER OUTPUTS
4	SYSTEM TRIGGER IN/OUT
5	LINE OUTPUTS
6	LINE INPUTS

Chapter 2. System Design & Applications

System Design

The A275 is designed to drive multiple pairs of indoor or outdoor speakers from virtually any audio source. A typical installation consists of a home theater receiver zone 2 or zone 3 line level output feeding the A275. The A275 amplified outputs can drive speakers, volume controls, or ATON DLA speaker routers depending upon the application. The advantage of using a DLA along with the A275 is the ability to drive multiple pairs of speakers while enjoying the benefits of the DLA Router: automatic impedance protection, dynamic volume level adjustment, discrete IR remote control, and RF remote control. The A275 is designed to drive one or more DLA's including the DLA2, DLA4, or DLA6. If you need additional DLA configuration and setup assistance, please refer to the DLA installation manual.

Wiring Considerations

Speaker Wires
14-16 AWG Speaker Wire

Audio Cables
RCA Patch Cables

Triggers
2 Conductor Wires with 3.5mm mono connector

SETTING UP THE A275 WITH A DLA SPEAKER SELECTOR

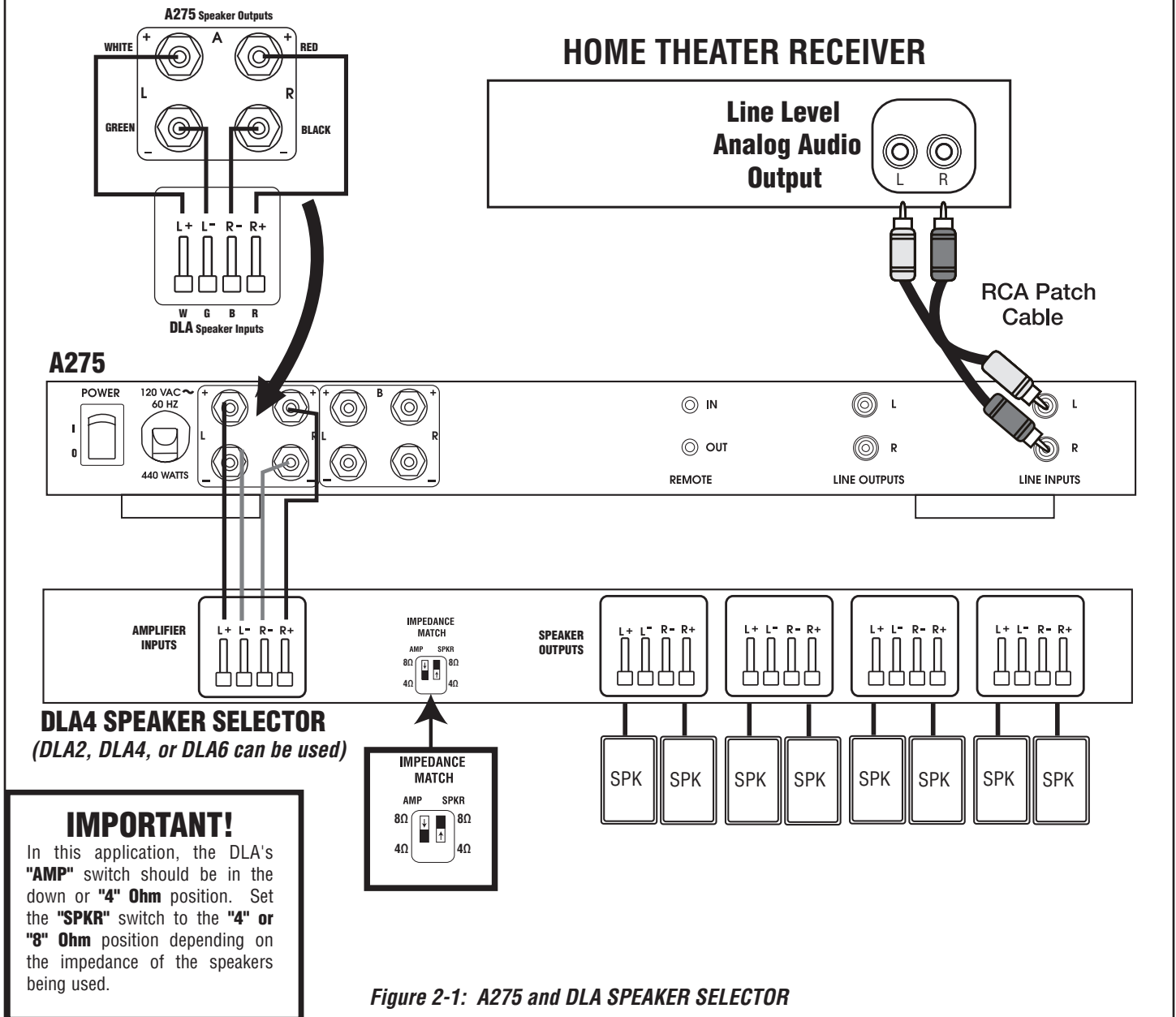


Figure 2-1: A275 and DLA SPEAKER SELECTOR

IMPORTANT!

In this application, the DLA's "AMP" switch should be in the down or "4" Ohm position. Set the "SPKR" switch to the "4" or "8" Ohm position depending on the impedance of the speakers being used.

Wiring Considerations

Speaker Wires

14-16 AWG Speaker Wire

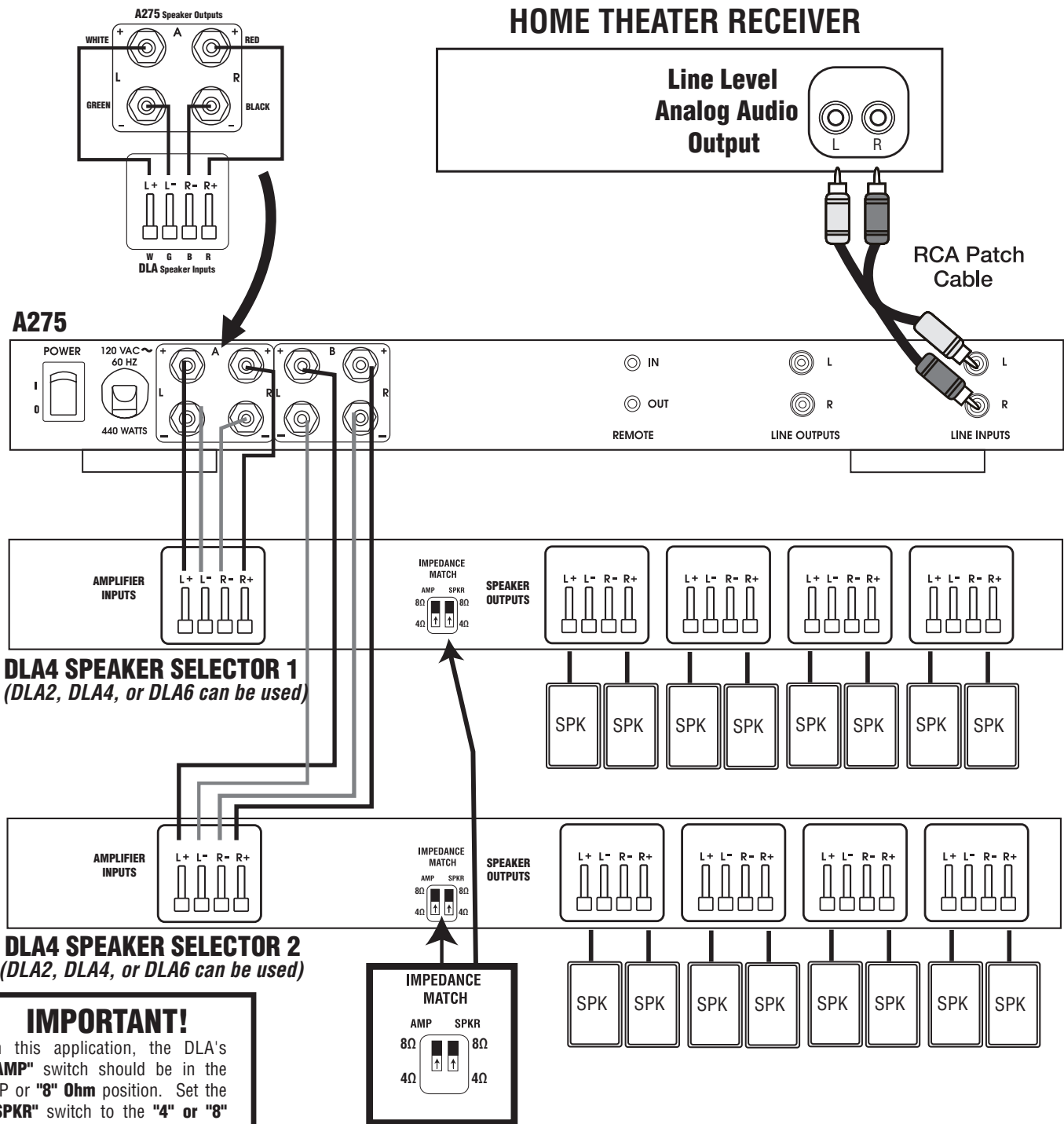
Audio Cables

RCA Patch Cables

Triggers

2 Conductor Wires with 3.5mm mono connector

SETTING UP THE A275 WITH MULTIPLE DLA SPEAKER SELECTORS



IMPORTANT!

In this application, the DLA's "AMP" switch should be in the UP or "8" Ohm position. Set the "SPKR" switch to the "4" or "8" Ohm position depending on the impedance of the speakers being used.

Figure 2-2: A275 and MULTIPLE DLA SPEAKER SELECTORS

Applications

4/6/8 Ohm Speakers with Volume Controls

- Audio Output to Line Inputs 1 & 2

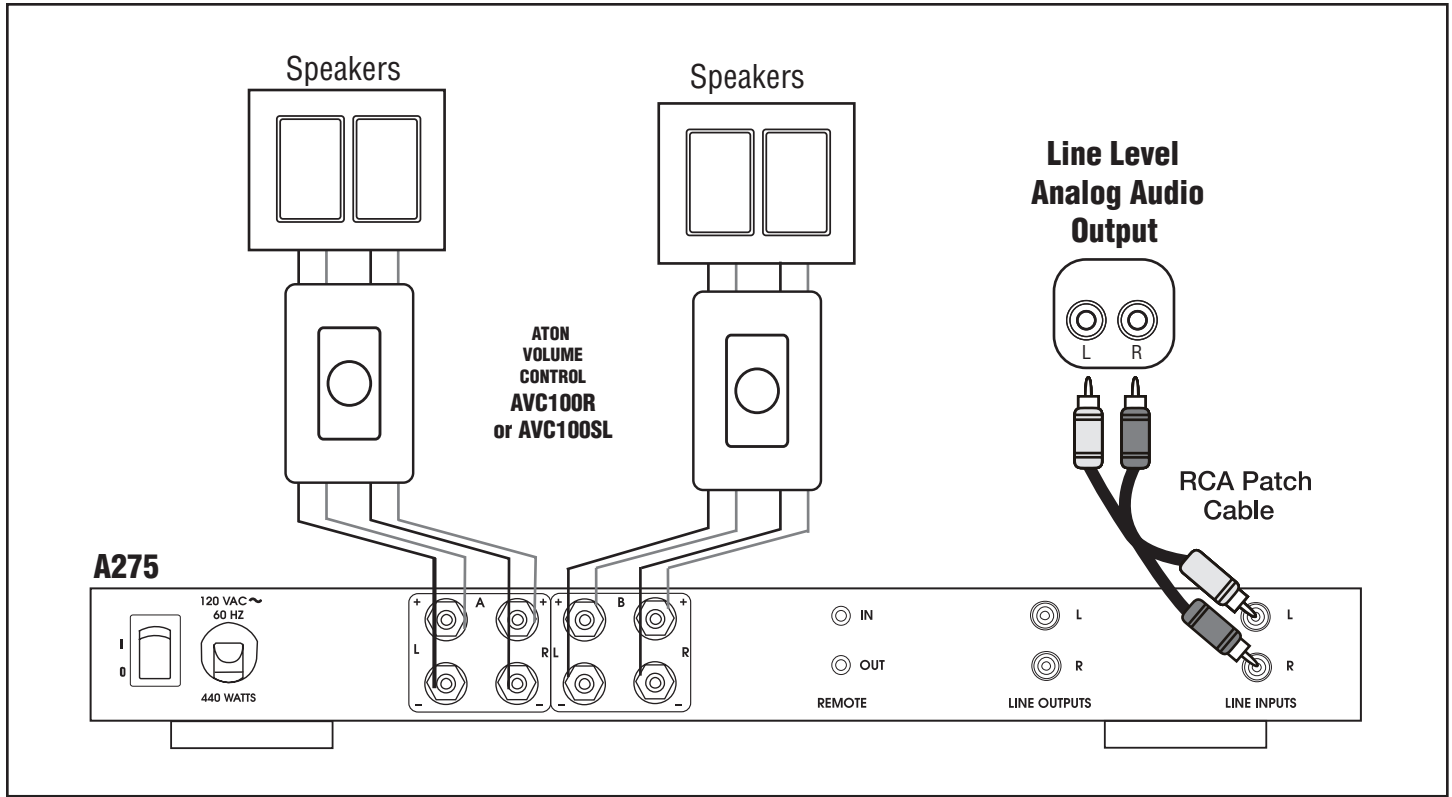


Figure 2-3: 4/6/8 Ohm Speakers w/ Volume Controls

Using A275 with Impedance Match Volume Controls and Maximum Speaker Wattage						
Volume Control Impedance Match Setting	8 Ohm Speaker Pairs	Max Wattage Available Per Speaker	6 Ohm Speaker Pairs	Max Wattage Available Per Speaker	4 Ohm Speaker Pairs	Max Wattage Available Per Speaker
1X	4	18.0	3	24.0	2	36.0
2X	6	12.0	4	18.0	3	24.0
4X	8	6.0	6	9.0	4	12.0
8X	16	1.0	12	1.5	NOT RECOMMENDED	

System Design Considerations

Adding multiple speakers to a power amplifier reduces the amount of power sent to each speaker as the total available wattage is divided among the connected speakers. Beyond customer volume preferences, several factors affect overall amplifier output including input signal gain, impedance, AC voltage, wire run length and gauge, insertion losses with volume controls, room size, etc. This chart assumes simple math and does not represent actual dB, SPL calculations, etc. It is provided as a guideline only to demonstrate theory & provide some basic design guidance. You can never overpower a system because you have dynamic headroom, or spare power as needed. If you underpower / underamplify a system, the amplifier tends to be pushed past its safety zone which eventually leads to clipping and system failure.

Indoor applications for background audio need only be a few watts, typically 1 to 10. For primary listening areas, you should plan on 5 to 20 watts or more depending upon application. Outdoor applications require a greater amount of power since there is little reflectivity of sound and listening area is larger, so plan on 40 watts or more!

Multi-Room Stereo Sub-Zones

ATON's AH66T Integrated Multi-Room Controller has built-in amplification for six stereo zones as well as six sets of preamp outputs for the addition of sub-zones. The A275 is ideally suited to amplify outdoor subzones using rotary or electronic volume controls if separate volume up/down functionality is desired in the sub-zones as shown in the AH66T example below.

AH66T Stereo Sub-Zones

- Preamp Output 1 & 2 to Line Inputs 1 & 2
- Preamp DIP Switches in VARIABLE Position

Each Zone and Sub-Zone Speakers Volume Ramps Together

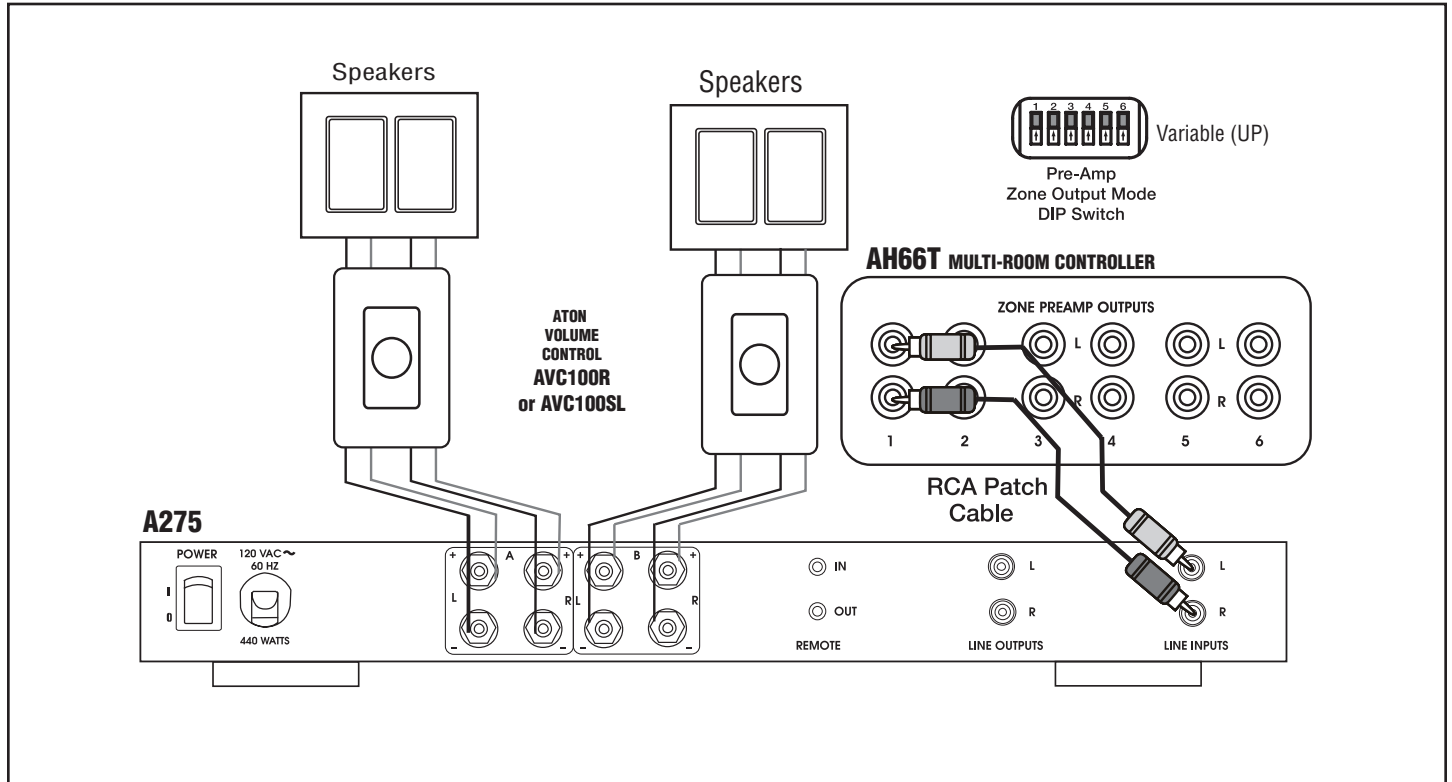


Figure 2-4: AH66T Sub-Zones

IMPORTANT NOTE

Please see chart on previous page for impedance match settings and volume controls

AH66T Stereo Sub-Zones

- Preamp Output 1 & 2 to Line Inputs 1 & 2
- Preamp DIP Switches in FIXED Position
- Volume Controls on Each Speaker Output

Each Zone and Sub-Zone Has Independent Volume Control

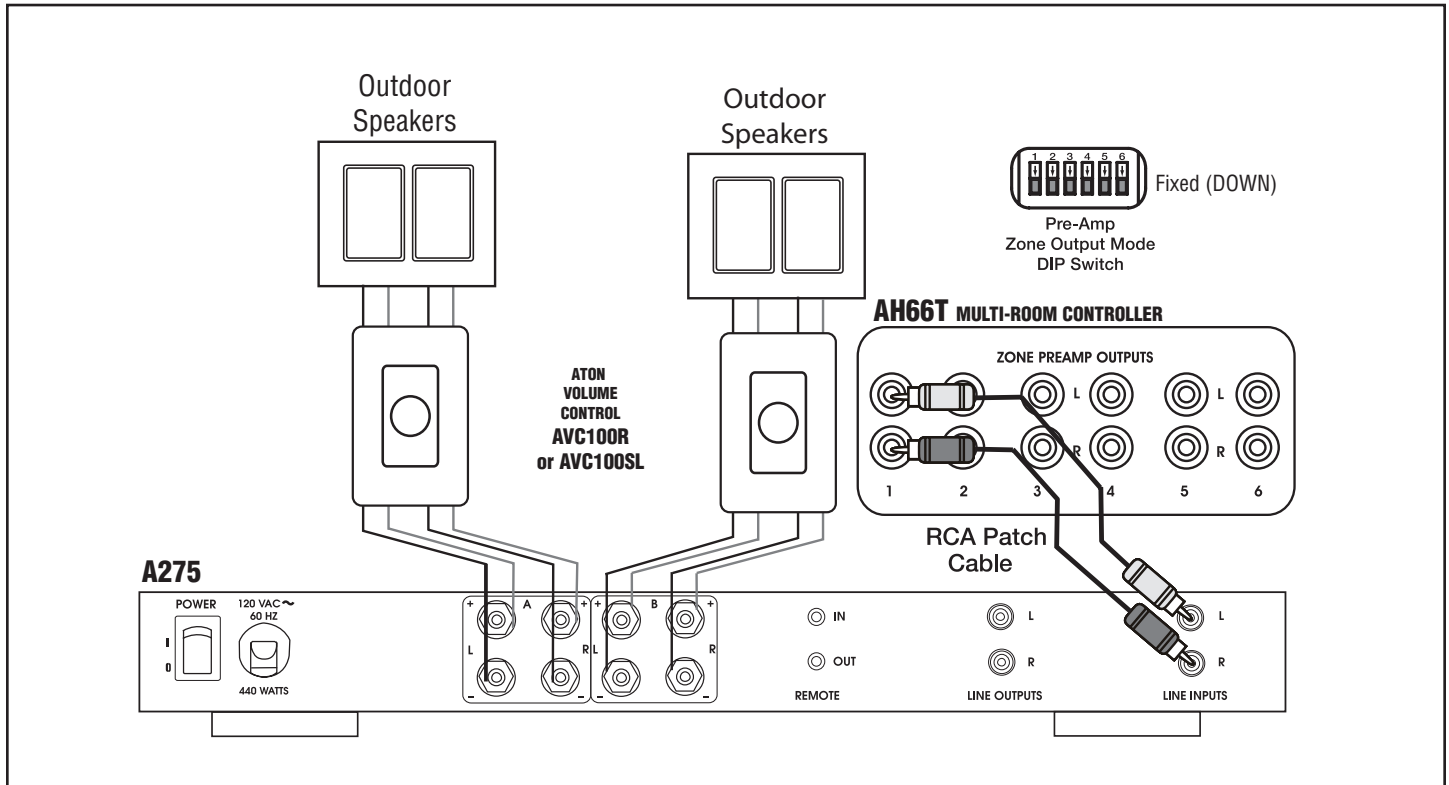


Figure 2-5: AH66T Sub-Zones

IMPORTANT NOTE

Please see chart on previous page for impedance match settings and volume controls

Chapter 3: Connections

The A275 has several rear panel connections so it is important to label all cables and wires correctly. Label all input/output cable and speaker wires with their destination or source. This will save time during installation and any future upgrades to the system.

Use high quality line level RCA connector type cables for source connections to ensure the lowest possible noise and best sound performance. For most applications use 16AWG 2 conductor speaker cable. For wiring runs longer than 80 ft. it is recommended to use 14AWG 2 conductor speaker cable. The A275's high quality, gold plated 5-way binding post will accommodate speaker cabling sizes up to 12AWG. Attaching banana plugs will enable the connection of larger cable sizes. A 3.5mm mono interconnect cable may be used for amplifier and systems triggering.

Line Level Audio Inputs

Connect the zones by inserting the RCA connectors into the dedicated direct input jack on each channel.

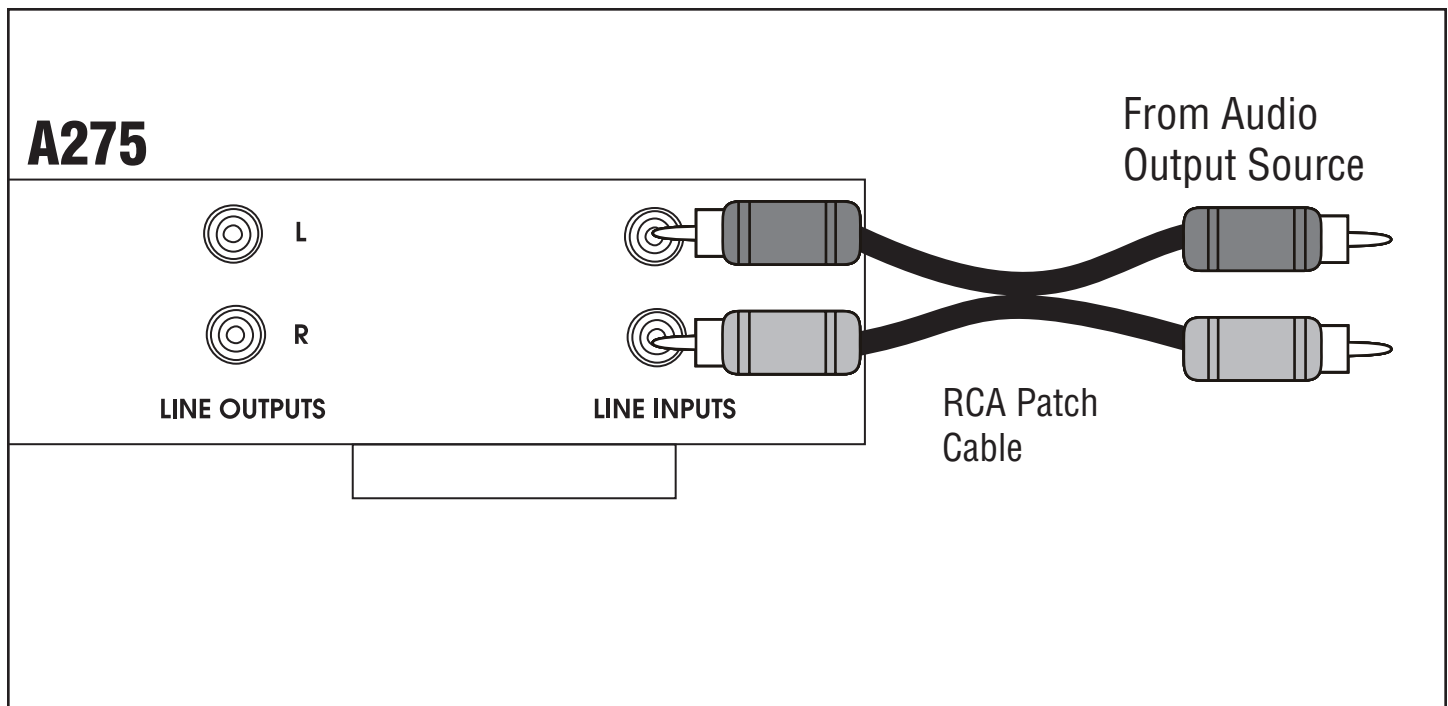


Figure 3-1: Line Inputs

Line Outputs

A stereo or monaural audio signal connected to the A275's main LINE INPUT is routed to the A275's RCA Line Outputs. This feature is excellent for standalone distributed audio systems where one source (i.e. an A/V Receiver) is providing audio to the entire home, and also for ATON multi-room applications where a zone's audio signal needs to be routed to multiple amplifier channels. Examples of both these applications are shown in the **Chapter 2**.

Line audio outputs enable connection of additional amplifiers to allow further system expansion. Use high quality RCA interconnect cables to ensure low noise and great sound. The A275 Line Outputs are buffered, a maximum of four amplifiers may be 'daisy-chained' to each Line Outputs.

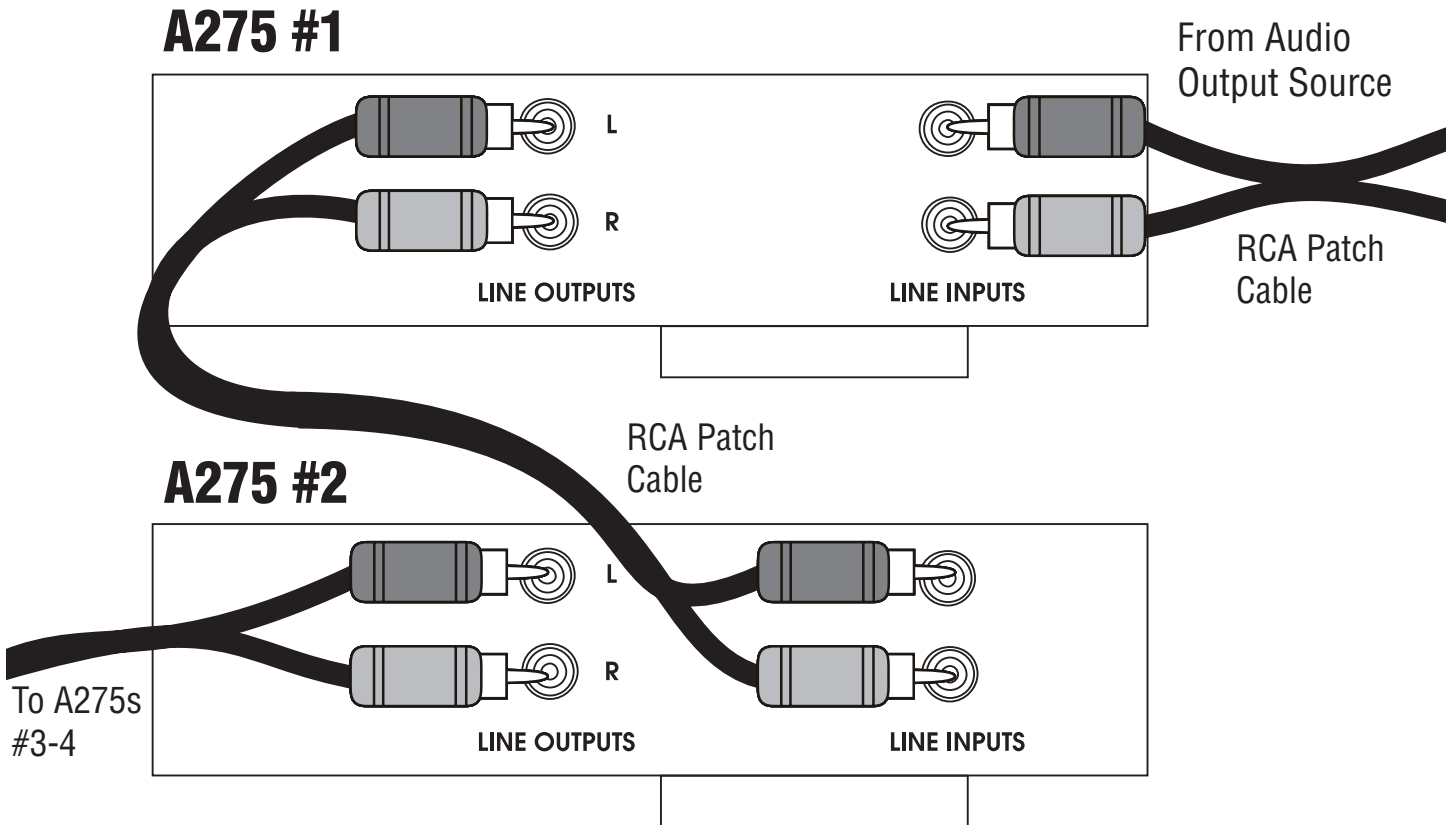


Figure 3-2: Line Outputs

Speaker Binding Post

The A275 is equipped with gold plated, 5-way speaker binding posts. This allows five methods of speaker wire termination: bare wire, spade lug, pin, single banana and dual banana plug. Label all speaker wires with their destination to ensure easy configuration. To attach speaker wires use the following method:

1. Carefully split the speaker wire insulation at least two inches.
2. Strip 1/2 inch of the insulation from the speaker wire conductor exposing the bare wire.
3. Twist the wire strands of each conductor, if using banana plugs, attach wire to banana plug observing polarity.
4. If using banana plug; insert plug ends into binding post observing correct polarity. If using the bare wire method; loosen the binding post caps and insert the bare wire through the hole in the post. Tighten the knob until the wire is securely clamped.

CAUTION! Speaker Wire connections must be made with the amplifier OFF!

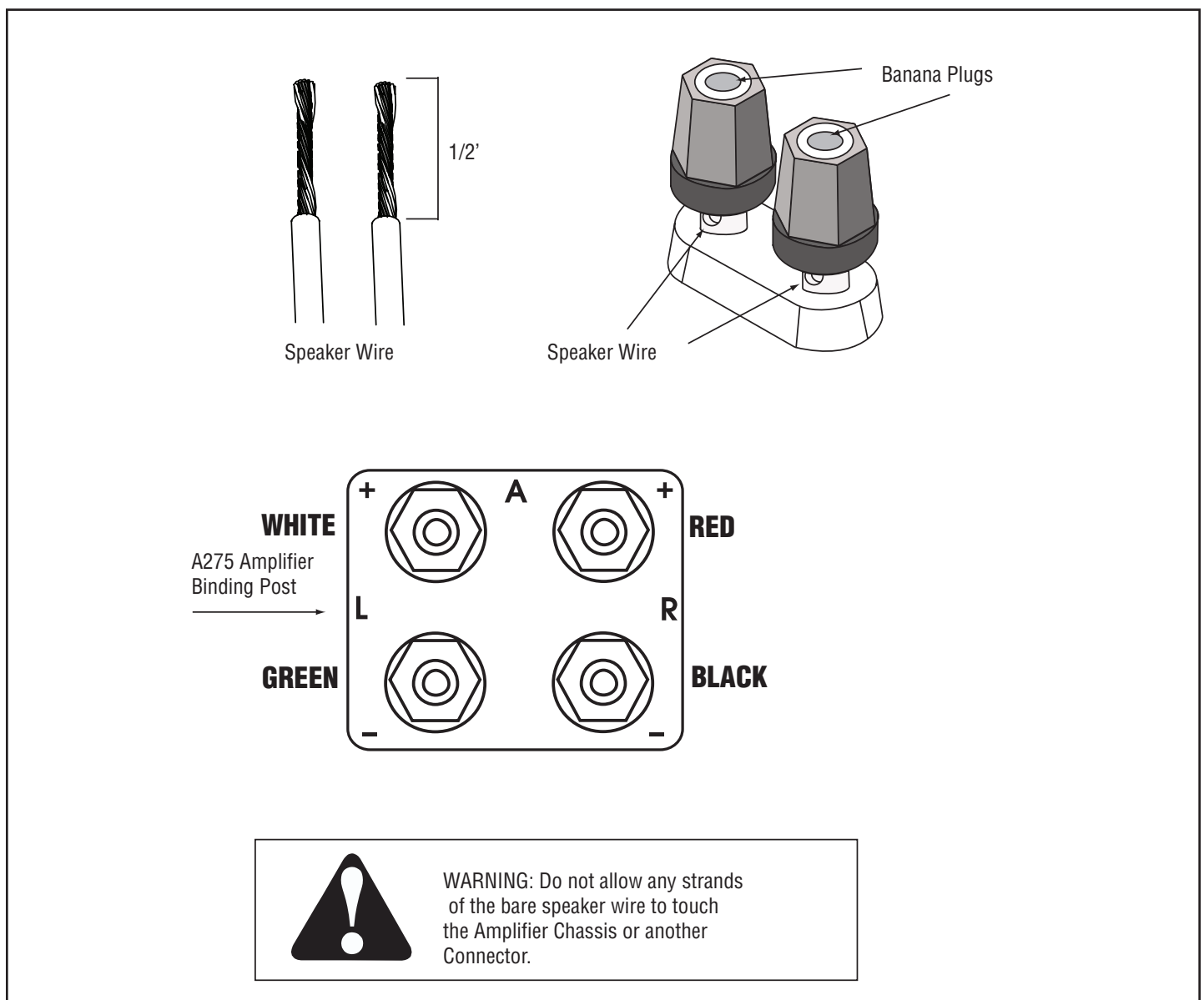


Figure 3-3: Speaker Binding Post

Triggers

A REMOTE TRIGGER IN port allows all channels to turn on or mute simultaneously. The REMOTE TRIGGER INPUT can receive 5-24 Volts AC or DC. The 12 Volt DC REMOTE TRIGGER OUT can be used to turn on other equipment, additional A275s or other amplifiers, or to perform automated functions desired by the user. Use 3.5mm mono interconnect cables to make Trigger connections.

SYSTEM TRIGGER IN

To mute/un-mute all channels simultaneously, connect a system-wide 5-24 Volt DC triggering source to the SYSTEM TRIGGER IN port using a 3.5mm mono interconnect cable. Examples of triggering sources include an ATON Multi-Zone Controller's SYSTEM TRIGGER OUT or REMOTE OUT, an A/V receiver's switched outlet connected to a power supply, or a +12VDC TRIGGER OUT from another ATON amplifier.

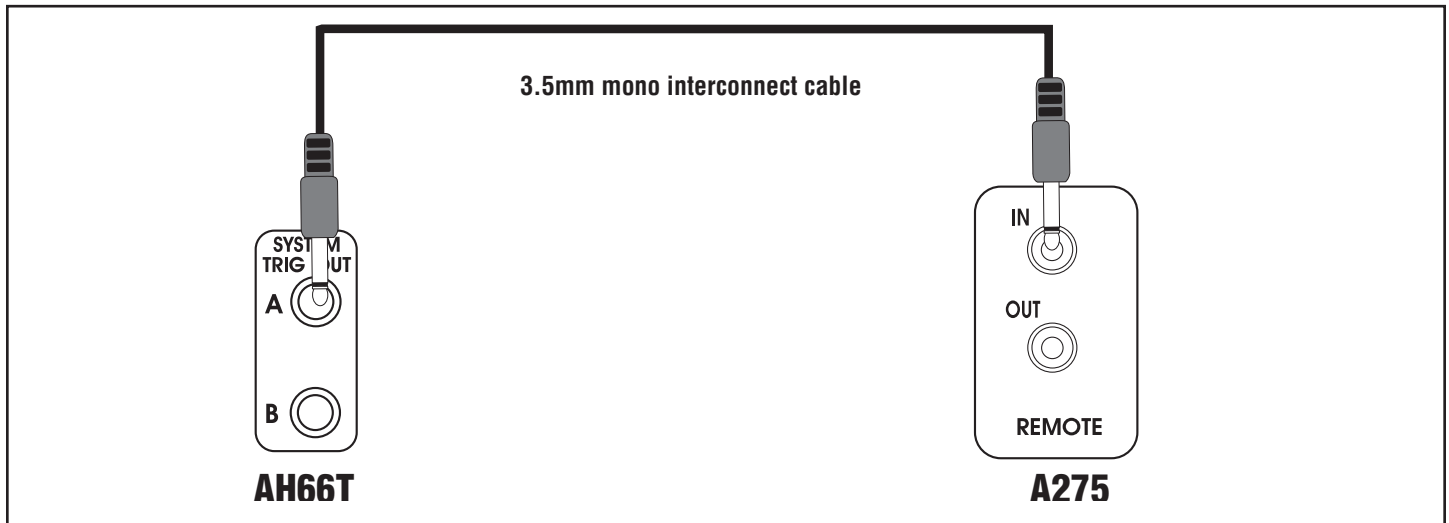


Figure 3-4: Remote Trigger In

SYSTEM TRIGGER OUT

Whenever the A275 is powered ON, the REMOTE TRIGGER OUT becomes active. This output sends a +12VDC 100mA signal to other devices with a Trigger Input.

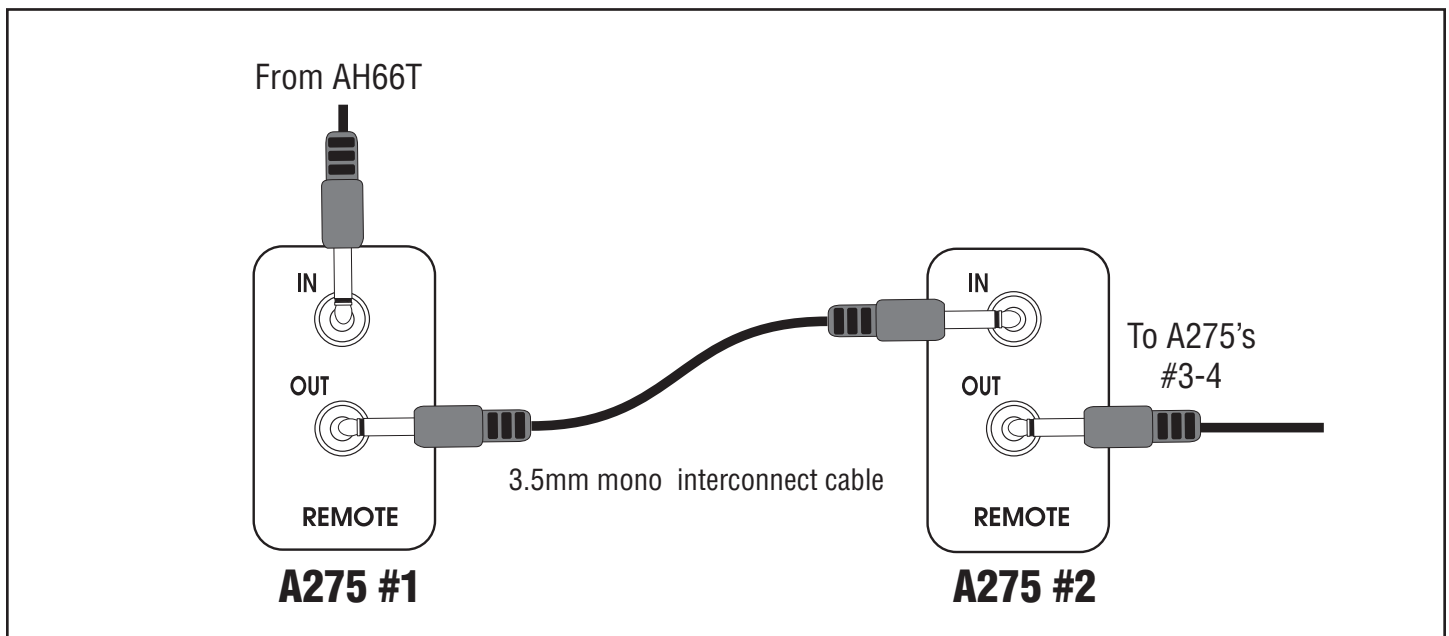


Figure 3-5: Remote Trigger Out

Chapter 4: Operations & Settings

Setting Channel Levels

The A275 features independent Level Adjustment Potentiometers for each of its two channels. Use a small Phillips screwdriver to independently adjust each channel of the amplifier for the specific speakers and environmental conditions of the area it is powering. Turning the potentiometer clockwise increases the level, while turning it counter-clockwise decreases the level. **Factory default is 85%.**

Set the levels by first lowering them all the way down, then raise the volume of any keypads or volume controls to maximum. Slowly increase the level of the channel being adjusted by turning the potentiometer clockwise until the channel begins to distort, then reduce the level slightly (turn counter-clockwise) until distortion is no longer present. Follow this procedure for each channel.

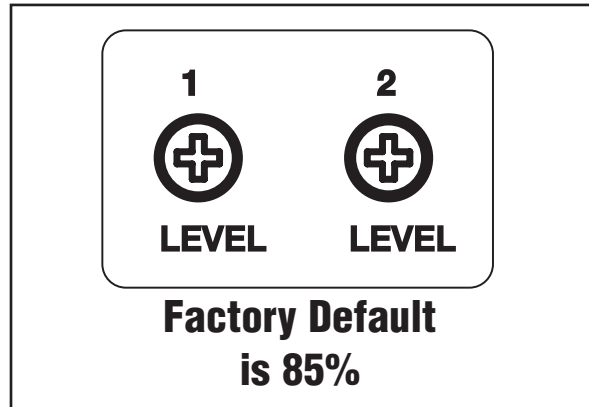


Figure 4-1: Level Adjustment Potentiometers

Chapter 5: Troubleshooting

Symptom	Possible Cause	Solution
No Audio From One or More Channels	<ol style="list-style-type: none"> 1. Loose/bad speaker cable connection 2. Break/short in speaker cable 3. Speaker is defective 4. RCA patch cable defective 5. Source not sending audio 	<ol style="list-style-type: none"> 1. Check cable ends at binding posts and speaker terminals. 2. Check continuity of each speaker cable using multimeter. If short or open is indicated, check wiring for proper connections. 3. Swap with known good speaker. 4. Swap with known good patch cable. 5. Verify source is powered up and playing. Check any tape monitor settings on A/V Receiver.
No Audio From One Channel	Amplifier is overheating due to inadequate ventilation or prolonged operation at clipping levels.	<ol style="list-style-type: none"> 1. (a) Turn the amplifier off and allow the internal circuits to cool. (b) Ensure that the amplifier has proper ventilation. Add cooling fan if necessary. (c) Lower the gain level controls for that channel pair.
No Audio From One Channel	Unit may require service.	Contact ATON Technical Support.
Very Low or No Sound on Some or All Channels	Audio input cable is bad.	Check source equipment cables for damage and faulty connections and correct.
Audio "Hum"	<ol style="list-style-type: none"> 1. Ground potential difference between source components (ground loop) 2. Faulty/damaged cables 3. Faulty wiring 	<ol style="list-style-type: none"> 1. (a) Test AC outlet using ground tester. (b) Reverse the AC plug of components with non-polarized ends plugged into the same outlet strip as amp. 2. Check source equipment cables for damage and faulty connections. 3. (a) Make sure volume controls are not hooked up backwards. (b) Check for shorts in wiring (see item 2 in "No audio...").

Symptom	Possible Cause	Solution
Distorted Audio at Normal Volume Levels	<ol style="list-style-type: none"> 1. Input gain set too high 2. Defective/incompatible speaker 3. Volume control wired incorrectly 4. Volume control Impedance Match settings incorrect 	<ol style="list-style-type: none"> 1. Reduce gain to the channel in question. 2. (a) Check for physical damage to speaker. (b) Ensure speakers have appropriate power rating for amplifier. (c) Ensure speakers are rated @ 8 Ohm impedance. This amp is compatible with speakers with 8 Ohm impedance or greater. 3. Check for proper input/output connections at volume control. Input comes from amplifier, output goes to speakers. 4. Verify/correct Impedance Match settings.
Audio is Unclear, Bass Response Low	Speakers out of phase	Verify that + of amplifier goes to +of speaker and - of amplifier goes to - of speaker on ALL speaker leads.
Incorrect Source Playing on Speakers	<ol style="list-style-type: none"> 1. Source connected to wrong input of amplifier 2. Speakers connected to incorrect speaker outputs 3. DIP switches set incorrectly 	<ol style="list-style-type: none"> 1. Verify/correct input connections. 2. Verify/correct speaker connections. 3. Verify/correct DIP switch settings.
Amplifier Will Not Power Up	<ol style="list-style-type: none"> 1. Power switch is Off 2. Circuit breaker tripped 	<ol style="list-style-type: none"> 1. Turn switch On. Switch is located on the back of unit. 2. Reset circuit breaker. Ensure that combined current draw of all devices on circuit does not exceed the circuit's capacity.

Technical Support

If, after carefully following the steps in the **Troubleshooting** section, you are unable to resolve issues with the installation or operation of the A275, please call ATON Technical Support at 1 (859) 422-7137 Option 3.

Appendix A: Specifications

Audio Section	
Power Rating - Output Power	2 x 45 WPC @ 8 Ohms 2 x 75 WPC @ 4 Ohms
Frequency Response	20Hz to 20kHz, -.5dB
Full Power Bandwidth	5Hz to 30kHz
Signal-To-Noise	> 110dB (A-weighted)
Channel Separation	>70dB @1kHz
Total Harmonic Distortion	< .01% @ 1kHz
Intermodulation Distortion	< -90dB
Voltage Gain (AV)	0 - 28, front panel adjustable
Input Impedance	33k Ohms
Connectors	
Input/Loop Outputs	Gold RCA Phono
Speaker Outputs	Gold 5 Way Binding Posts
Power	
AC Power Requirements	120 VAC, 440 Watts
Current Draw	3.7A @120VAC
Triggers	
Remote Trigger Inputs	5 to 24V AC/DC
Remote Trigger Outputs	+12 VDC @0.1A
Dimensions/Weight	
Dimensions w/ Feet (1U w/o Feet)	17 W x 2 3/8 H x 11 D (in) 432 W x 60 H x 280 D (mm)
Weight	15 lbs/6.8 kg

Appendix B: Rack Mounting

Rack-Mount Bracket

When mounting the A275 amplifier in an equipment rack, use the included rack mount brackets for secure mounting and proper ventilation. The A275 requires one rack space, ensure that one rack space above and below the A275 is left open for proper ventilation. To install the A275 into a standard 19" equipment rack:

1. Slide the rack mount kit onto the A275 chassis from the front as shown in **Figure B-1**.

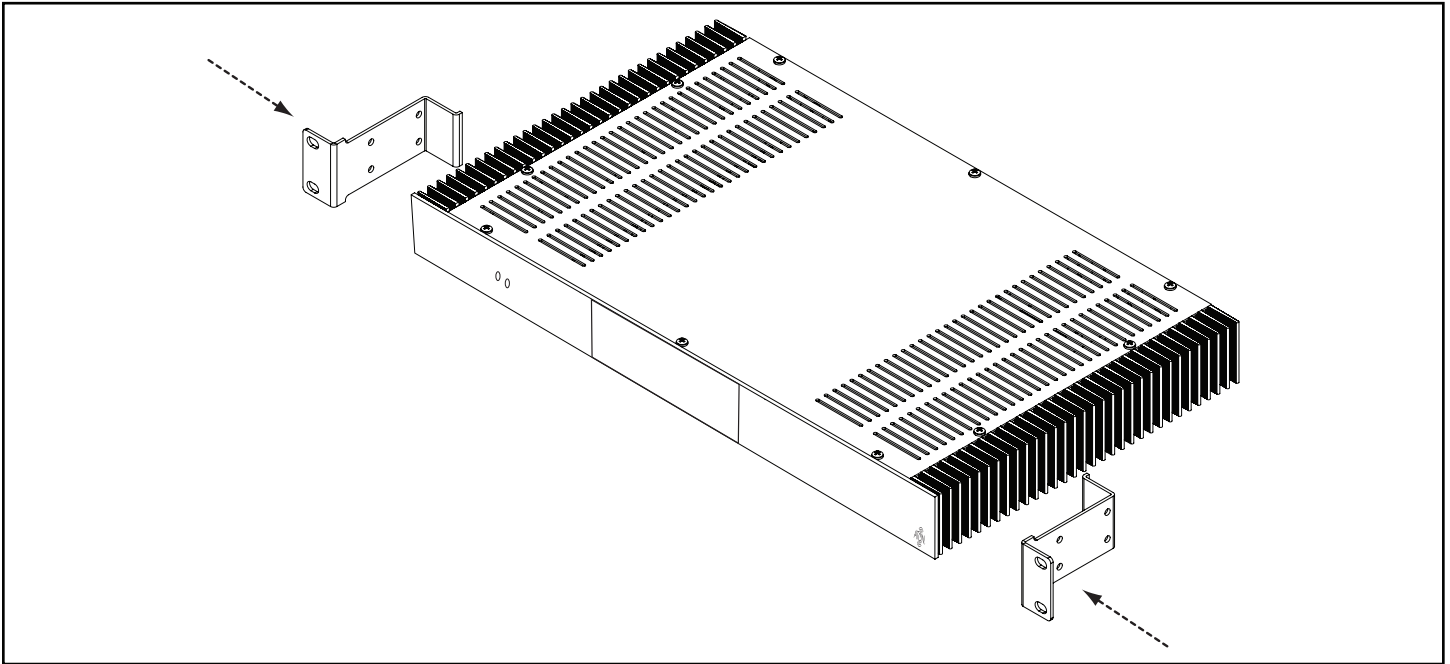


Figure B-1

2. Ensure that the unit is flush with the front of the mounting kit. Install each of the eight screws (included) through the side mounting flanges into the holes in the sides of the unit as shown in **Figure B-2**. Hand tighten screws! Over-tightening could cause damage to the A275 Amplifier.

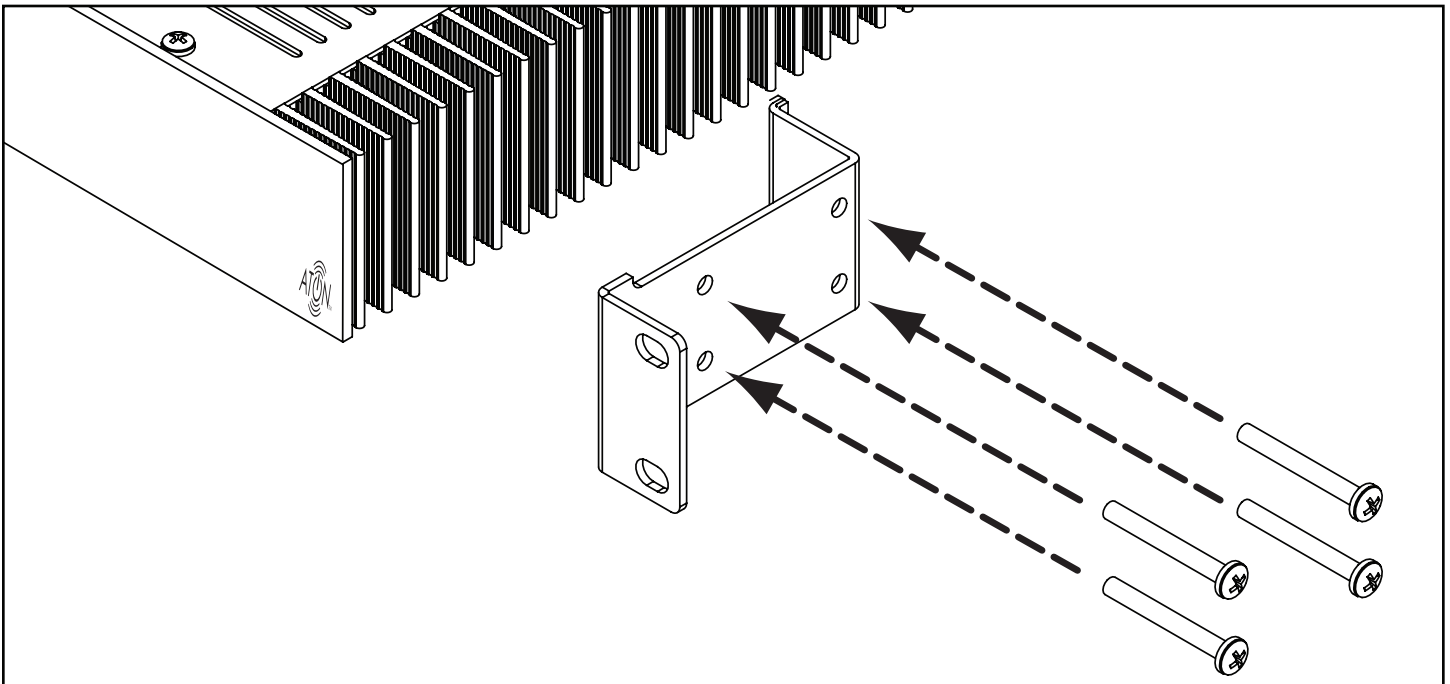
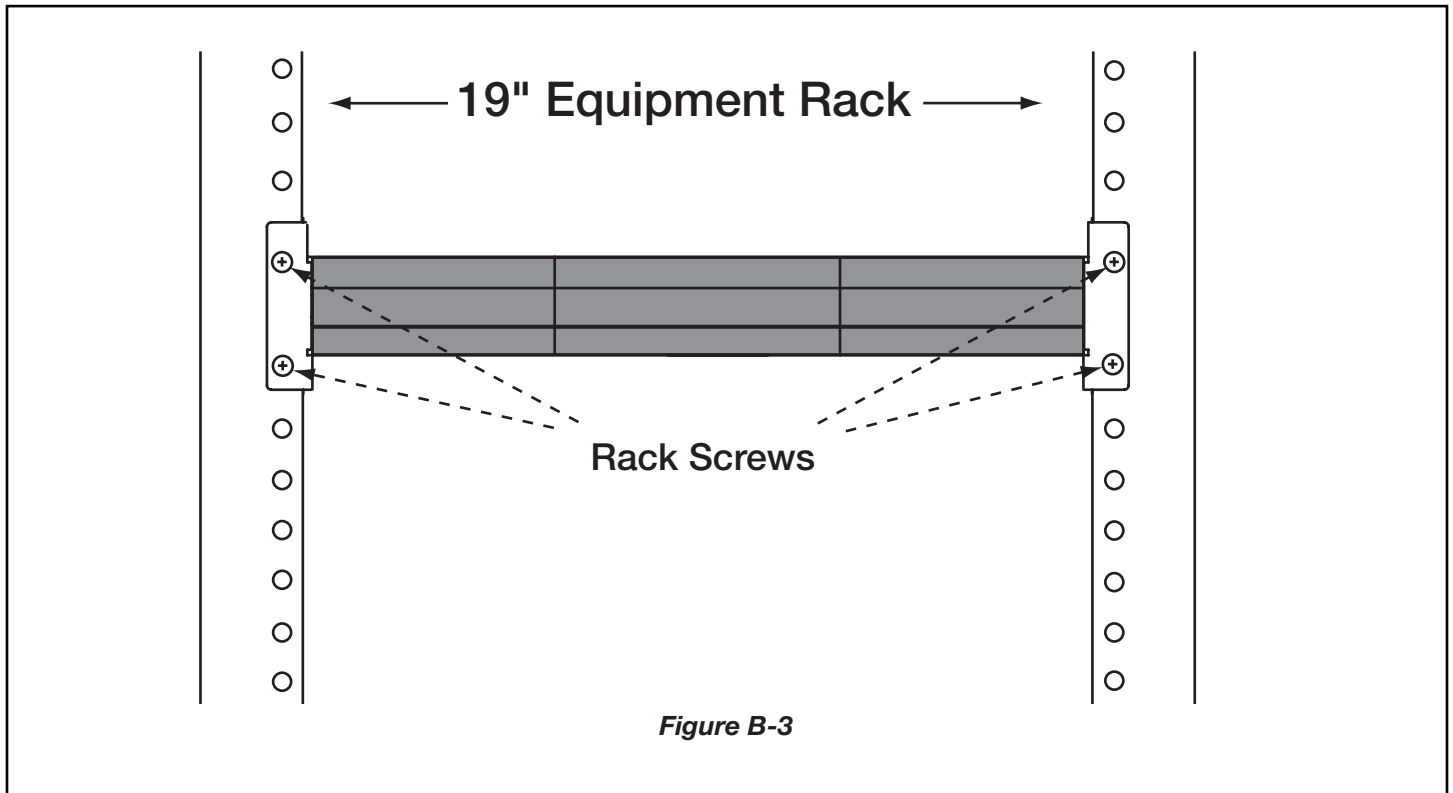


Figure B-2

3. Once the unit is securely mounted, install the entire assembly into a standard 19" equipment rack from the front using four rack screws (not included) as shown in **Figure B-3**.



NOTES:

NOTES:

LIMITED WARRANTY

Aton ("ATON") warrants the ATON A275 Two-Channel Power Amplifier to be free from defects in materials and workmanship for the period of two years (2 years) from the date of purchase. If within the applicable warranty period the purchaser discovers that such item was not as warranted above and promptly notifies ATON in writing, ATON shall repair or replace the item at the company's option. This warranty shall not apply (a) to equipment not manufactured by ATON, (b) to installed equipment which is not installed to ATON's specifications, (c) to equipment which shall have been repaired or altered by others than ATON, (d) to equipment which shall have been subjected to negligence, accident, or damaged by circumstances beyond ATON's control, including, but not limited to, lightning, flood, electrical surge, tornado, earthquake, or other catastrophic event beyond ATON's control, or to improper operation, maintenance or storage, or to other than normal use of service. With respect to equipment sold by, but not manufactured by ATON, the warranty obligations of ATON shall in all respects conform to the warranty actually extended to ATON by its supplier. The foregoing warranties do not cover reimbursement for labor, transportation, removal, installation or other expenses which may be incurred in connection with repair or replacement.

Except as may be expressly provided and authorized in writing by ATON, ATON shall not be subject to any other obligations or liabilities whatsoever with respect to equipment manufactured by ATON or services rendered by ATON.

THE FOREGOING WARRANTIES ARE EXCLUSIVE AND IN LIEU OF ALL OTHER EXPRESSED AND IMPLIED WARRANTIES EXCEPT WARRANTIES OF TITLE, INCLUDING BUT NOT LIMITED TO IMPLIED WARRANTIES OF MERCHANTABILITY AND FITNESS FOR A PARTICULAR PURPOSE.

ATTENTION: TO OUR VALUED CONSUMERS

To ensure that consumers obtain quality pre-sale and after-sale support and service, ATON products are sold exclusively through authorized dealers, ATON products are not sold online. The warranties on ATON products are NOT VALID if the products have been purchased from an unauthorized dealer or an online E-tailer. To determine if your ATON reseller is authorized, please contact ATON at (859) 422-7137 Option 3



www.atonhome.com

GARANTÍA LIMITADA

Aton ("ATON") garantiza que el amplificador de potencia de dos canales A275 de ATON no tendrá defectos de material ni de fabricación por un periodo de dos años (2 años) desde la fecha de compra. Si, dentro del periodo de garantía aplicable, el comprador descubre que el artículo no cumple con estas garantías y notifica de ello a ATON en forma escrita, ATON reparará o reemplazará el artículo según determine la compañía. Esta garantía no será aplicable (a) a equipos no fabricados por ATON, (b) a equipos que no hayan sido instalados siguiendo las especificaciones de ATON, (c) a equipos que hayan sido reparados o alterados por personas ajenas a ATON, (d) a equipos que hayan sido objeto de negligencias, accidentes o daños por circunstancias que escapen al control de ATON, incluyendo entre otros, relámpagos, inundaciones, alzas de voltaje, tornados, terremotos u otros eventos catastróficos que escapen al control de ATON, o debido a manejo, mantenimiento o almacenamiento inadecuado, o a usos de servicio que no son los normales. En lo que respecta a los equipos vendidos por ATON pero no fabricados por éste, las obligaciones de la garantía de ATON se ajustarán en todos los sentidos a la garantía extendida a ATON por su proveedor. Las garantías precedentes no cubren reembolsos por mano de obra, transporte, retiro, instalación u otros gastos en los que se incurra con motivo de la reparación o sustitución.

A menos que se estipule expresamente y que ATON lo autorice por escrito, ATON no estará sujeto a ninguna otra obligación o responsabilidad en relación al equipo fabricado o los servicios proporcionados por ATON.

LAS GARANTÍAS PRECEDENTES SON EXCLUSIVAS Y REEMPLAZAN A CUALQUIER OTRA GARANTÍA EXPRESA E IMPLÍCITA EXCEPTO GARANTÍAS DE TÍTULO, QUE INCLUYA, SIN LIMITARSE A ELLO, GARANTÍAS IMPLÍCITAS DE COMERCIABILIDAD Y APTITUD PARA UN OBJETIVO EN PARTICULAR.

ATENCIÓN: A NUESTROS ESTIMADOS CONSUMIDORES

Para asegurar que los consumidores obtengan un servicio y una asistencia antes y después de venta de calidad, los productos ATON son vendidos exclusivamente a través de distribuidores autorizados. Los productos ATON no se venden a través de Internet. Las garantías de los productos ATON NO SON VÁLIDAS si los productos son comprados a un distribuidor no autorizado o en una tienda en línea. Para saber si su distribuidor de productos ATON está autorizado, llame a ATON al (859) 422-7137, opción 3



www.atonhome.com

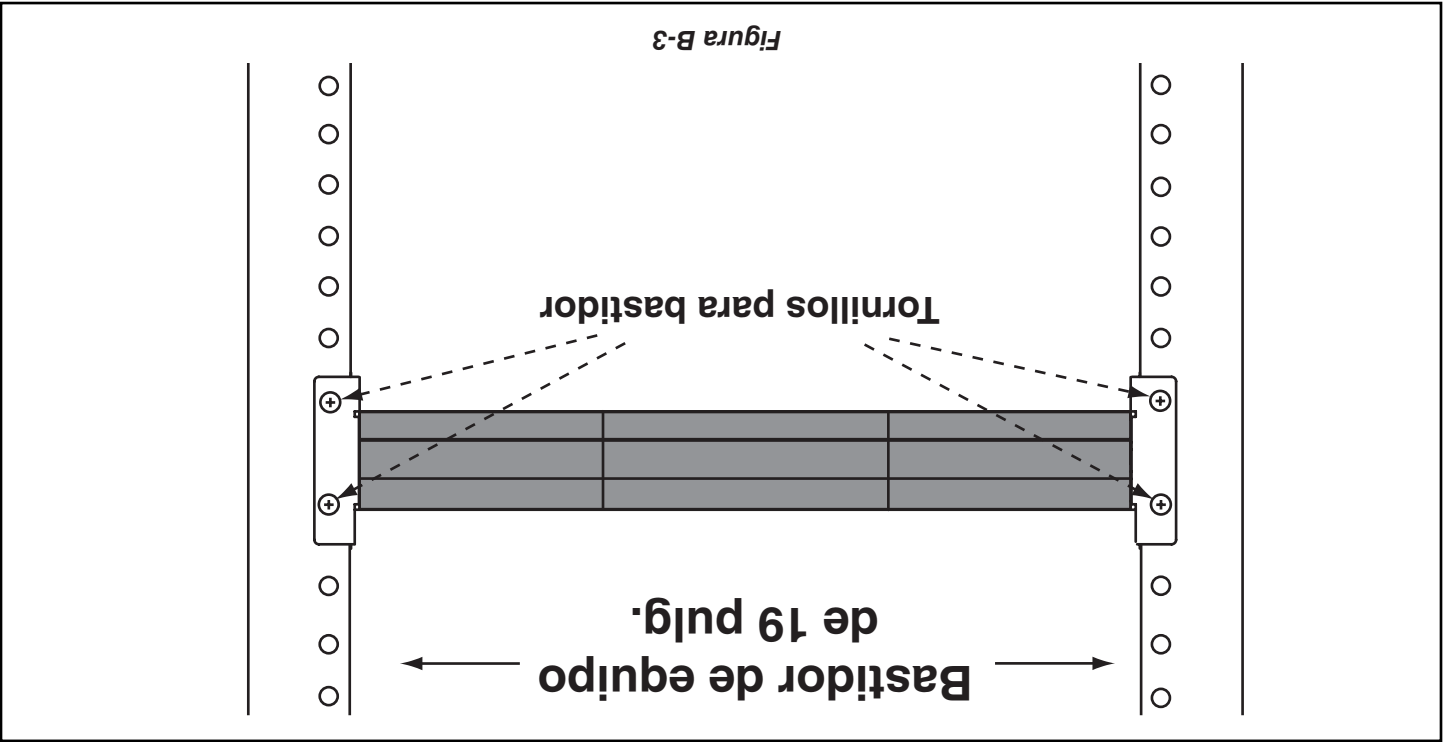


Figura B-3

3. Una vez que la unidad esté bien montada, instale el conjunto completo en un bastidor de equipo de 19 pulg. estándar desde la parte frontal, usando cuatro tornillos para bastidor (no se incluyen) como se indica en la **Figura B-3**.

Apéndice B: Montaje en soporte

Escudra para montaje en soporte

Cuando monte el amplificador A275 en un bastidor de equipo, use las escudras de montaje incluidas para un montaje seguro y una ventilación adecuada. El A275 requiere una sección del bastidor, asegúrese de que quede un espacio por encima y por debajo del A275 para que tenga ventilación adecuada. Para instalar el A275 en un bastidor de equipo estándar de 19 pulg.:

1. Deslice el equipo para montaje en bastidor en el chasis del A275 desde la parte frontal tal como se indica en la **Figura B-1**.

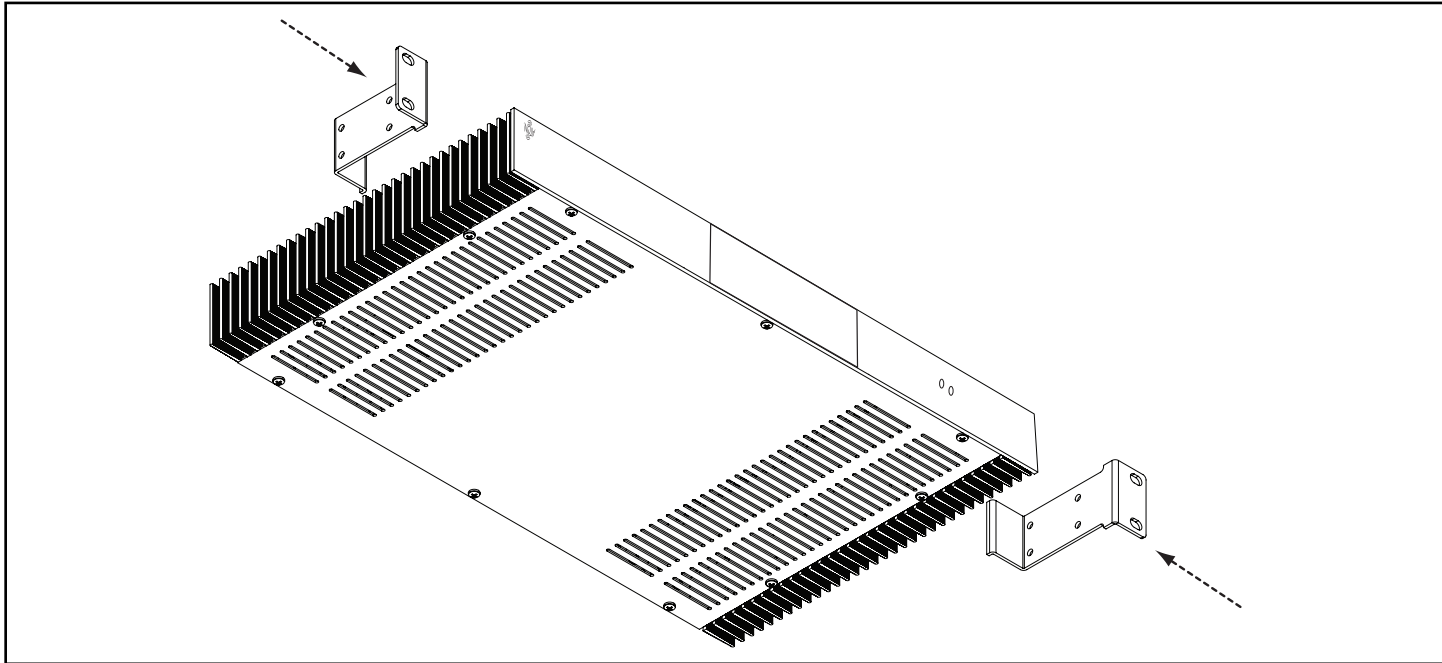


Figura B-1

2. Asegúrese de que la unidad quede a ras del frente del kit de montaje. Pase cada uno de los ocho tornillos (se incluyen) a través de las escudras para montaje lateral e introdúzcalos en los agujeros ubicados en los costados de la unidad tal como se indica en la **Figura B-2**. Apriete los tornillos con la mano! Aprietaarlos demasiado podría causar daño al amplificador A275.

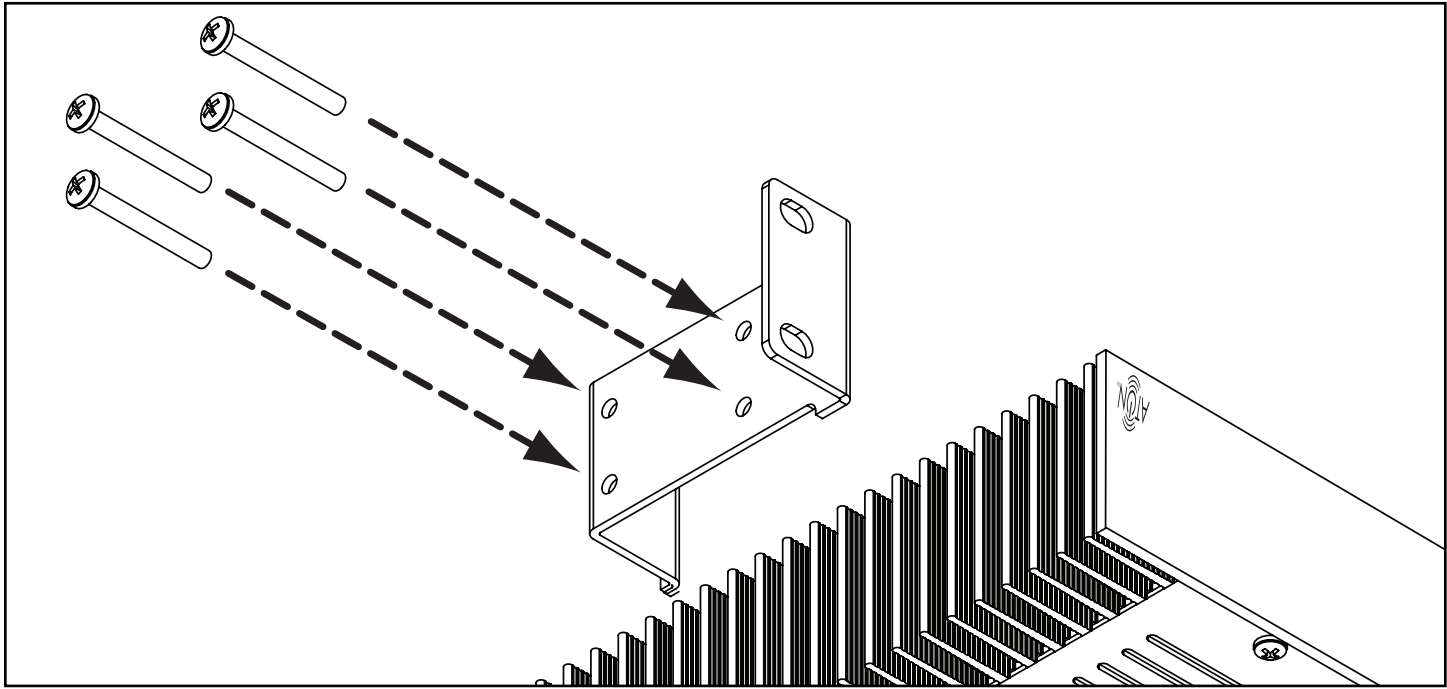


Figura B-2

Apéndice A: Especificaciones

Sección de audio	
Potencia nominal - Potencia de salida	2 x 45 WPC a 8 ohm 2 x 75 WPC a 4 ohm
Respuesta de frecuencia	20 Hz a 20 KHz, -0.5 dB
Ancho de banda de potencia completa	5 Hz a 30 KHz
Relación señal-ruido	> 110 dB (ponderado curva A)
Separación de canal	>70 dB a 1 KHz
Distorsión armónica total	< 0.01% a 1 KHz
Distorsión por intermodulación	< -90 dB
Ganancia de tensión (AV)	0 - 28, ajustable en el panel frontal
Impedancia de entrada	33k Ohm
Conectores	
Entrada/Salidas de bucle	Conector RCA dorado
Salidas de altavoces	Terminales de conexión de 5 vías enchapados en oro
Alimentación	
Requerimientos de alimentación CA	120 VCA, 440 Vatios
Consumo	3.7 A a 120 VCA
Activadores	
Entradas del activador remoto	5 a 24 VCA/CC
Salidas del activador remoto	+12 VCC a 0.1 A
Dimensiones/Peso	
Dimensiones con patas (1U sin patas)	17 Ancho x 2 3/8 Alto x 11 Fondo (pulg.) 432 Ancho x 60 Alto x 280 Fondo (mm)
Peso	15 libras/6.8 kg

Solución	Posible causa	Problema
<p>1. Disminuya la ganancia del canal en cuestión.</p> <p>2. (a) Compruebe que el altavoz no tenga daños físicos.</p> <p>(b) Asegúrese de que la potencia nominal de los altavoces sea apropiada para el amplificador.</p> <p>(c) Asegúrese de que la impedancia nominal de los altavoces sea de 8 ohm. Este amplificador es compatible con altavoces con impedancia de 8 ohm o más.</p> <p>3. Verifique que las conexiones de entrada y salida del control de volumen sean correctas. La entrada proviene del amplificador, la salida va a los altavoces.</p> <p>4. Verifique/corrija la configuración de adaptación de impedancia.</p>	<p>1. Ganancia de entrada demasiado alta</p> <p>2. Altavoz defectuoso o incompatible</p> <p>3. Control de volumen mal conectado</p> <p>4. Configuración de adaptación de impedancia del control de volumen incorrecta</p>	<p>Audio distorsionado a nivel normal de volumen</p> <p>El audio es poco claro, la respuesta de los bajos es baja</p> <p>Fuente incorrecta tocando en los altavoces</p>
<p>Verifique que el + del amplificador vaya al + del altavoz y que el - del amplificador vaya al - del altavoz en TODOS los cables de altavoces.</p>	<p>Altavoces desfasados</p>	<p>Fuente incorrecta tocando en los altavoces</p>
<p>1. Verifique/corrija las conexiones de entrada.</p> <p>2. Verifique/corrija las conexiones de altavoz.</p> <p>3. Verifique/corrija la configuración de los interruptores DIP.</p>	<p>1. Fuente conectada a entrada incorrecta del amplificador</p> <p>2. Altavoces conectados a salidas de altavoz incorrectas</p> <p>3. Interruptores DIP mal ajustados</p>	<p>El amplificador no enciende</p>
<p>1. Encienda el interruptor. El interruptor está ubicado en la parte posterior de la unidad.</p> <p>2. Restablezca el disyuntor. Asegúrese de que el consumo combinado de todos los aparatos conectados al circuito no exceda la capacidad de éste.</p>	<p>1. El interruptor de encendido está apagado</p> <p>2. Se disparó el disyuntor</p>	<p>El amplificador no enciende</p>

Asistencia técnica

Si después de seguir atentamente los pasos de la sección de **Resolución de problemas**, usted no puede resolver el problema de instalación u operación del A275, llame a Asistencia Técnica de ATON al 1 (859) 422-7137, opción 3.

Capítulo 5: Resolución de problemas

Solución	Posible causa	Problema
<p>1. Verifique los extremos de los alambres en los terminales de conexión y en los terminales de los altavoces.</p> <p>2. Revise la continuidad de los alambres de cada altavoz con un multímetro. Si éste indica que están abiertos o cerrados, verifique que los cables estén conectados correctamente.</p> <p>3. Pruebe con un altavoz que esté bueno.</p> <p>4. Pruebe con cables que estén buenos.</p> <p>5. Verifique que la fuente esté encendida y tocando. Revise los ajustes del monitor de cinta del receptor de audio/video.</p>	<p>1. Conexión de cable de altavoz suelta o mala</p> <p>2. Ruptura/cortocircuito en cable del altavoz</p> <p>3. Altavoz defectuoso</p> <p>4. Cable RCA defectuoso</p> <p>5. La fuente no envía sonido</p>	<p>No hay audio en uno o más canales</p> <p>No hay audio en un canal</p> <p>El amplificador se sobrecalentó debido a mala ventilación o por funcionar durante mucho tiempo a niveles de limitación.</p> <p>(b) Asegúrese de que el amplificador tiene suficiente ventilación. Agregue un ventilador de enfriamiento si es necesario.</p> <p>(c) Disminuya los controles del nivel de ganancia de ese par de canales.</p> <p>La unidad puede requerir servicio.</p> <p>Comuníquese con la Asistencia Técnica de ATON.</p>
<p>1. (a) Apague el amplificador y deje que los circuitos internos se enfríen.</p> <p>(b) Asegúrese de que el amplificador tiene suficiente ventilación. Agregue un ventilador de enfriamiento si es necesario.</p> <p>(c) Disminuya los controles del nivel de ganancia de ese par de canales.</p> <p>No hay audio en un canal</p>	<p>El cable de entrada de audio está mal.</p> <p>Revisar que los cables del equipo fuente no estén dañados y que no hayan conexiones defectuosas, y corrijá.</p>	<p>No hay audio en algunos canales o en todos ellos</p>
<p>1. (a) Pruebe el tomacorriente CA con un probador eléctrico.</p> <p>(b) Invierta el enchufe CA de los componentes con extremos no polarizados conectados a la misma toma de enchufe múltiple que el amplificador.</p> <p>2. Verifique que no haya daños en los cables del equipo fuente ni conexiones defectuosas.</p> <p>3. (a) Asegúrese de que los controles de volumen no estén conectados al revés.</p> <p>(b) Revise que no haya cortocircuitos en las conexiones (véase el elemento 2 en "No hay audio...").</p>	<p>1. Diferencia de potencial de tierra entre los componentes de la fuente (camino cerrado a tierra)</p> <p>2. Cables dañados o defectuosos</p> <p>3. Conexión defectuosa</p>	<p>Zumbido</p>

Capítulo 4: Operaciones y ajustes

Ajuste de los niveles de canal

El A275 posee potenciómetros para ajuste de nivel independientes para cada uno de los canales. Utilice un destornillador de cruz pequeño para ajustar en forma independiente cada canal del amplificador según los altavoces específicos y las condiciones ambientales de la zona que alimentan. Al girar el potenciómetro hacia la derecha el nivel aumenta y al girarlo hacia la izquierda el nivel disminuye. El valor predeterminado de fábrica es 85%.

Para establecer los niveles, primero bájelos al mínimo y luego aumente el volumen de cualquier teclado o control de volumen hasta el máximo. Aumente lentamente el nivel del canal que está ajustando, girando el potenciómetro hacia la derecha hasta que el canal comience a producir distorsión, luego disminuya el nivel levemente (gire hacia la izquierda) hasta que no haya distorsión. Realice este procedimiento con cada canal.

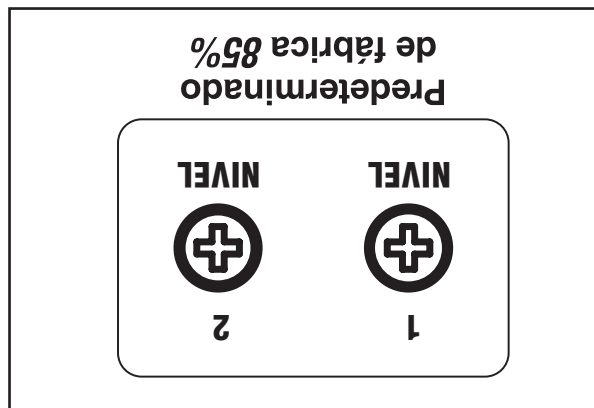


Figura 4-1: Potenciómetros para ajuste de nivel

Activadores

Un puerto de ENTRADA DE ACTIVADOR REMOTO permite encender o silenciar todos los canales simultáneamente. La ENTRADA DE ACTIVADOR REMOTO puede recibir 5-24 voltios de corriente alterna o continua. La SALIDA DE ACTIVADOR REMOTO de 12 VCC se puede usar para activar otros equipos, amplificadores A275 adicionales, o otros amplificadores, o ejecutar funciones automatizadas que el usuario desee. Para conectar los activadores use cables de interconexión jack mono de 3,5 mm.

ENTRADA DEL ACTIVADOR DE SISTEMA

Para silenciar o activar todos los canales a la vez, conecte una fuente de activación global de 5-24 VCC a la ENTRADA DEL ACTIVADOR DE SISTEMA mediante un cable de interconexión jack mono de 3,5 mm. Algunos ejemplos de fuentes de activación son la SALIDA DEL ACTIVADOR DE SISTEMA o la SALIDA DEL ACTIVADOR REMOTO del controlador multizona ATON, una toma de corriente con interruptor de un receptor de audio/video conectada a una fuente de alimentación o una SALIDA DE ACTIVADOR de +12 VCC de otro amplificador ATON.



Figura 3-4: Entrada del activador remoto

SALIDA DEL ACTIVADOR REMOTO

Cada vez que se enciende el A275, la SALIDA DEL ACTIVADOR REMOTO es activada. Esta salida envía una señal de +12 VCC 100mA a otros aparatos que tengan una entrada de activador.

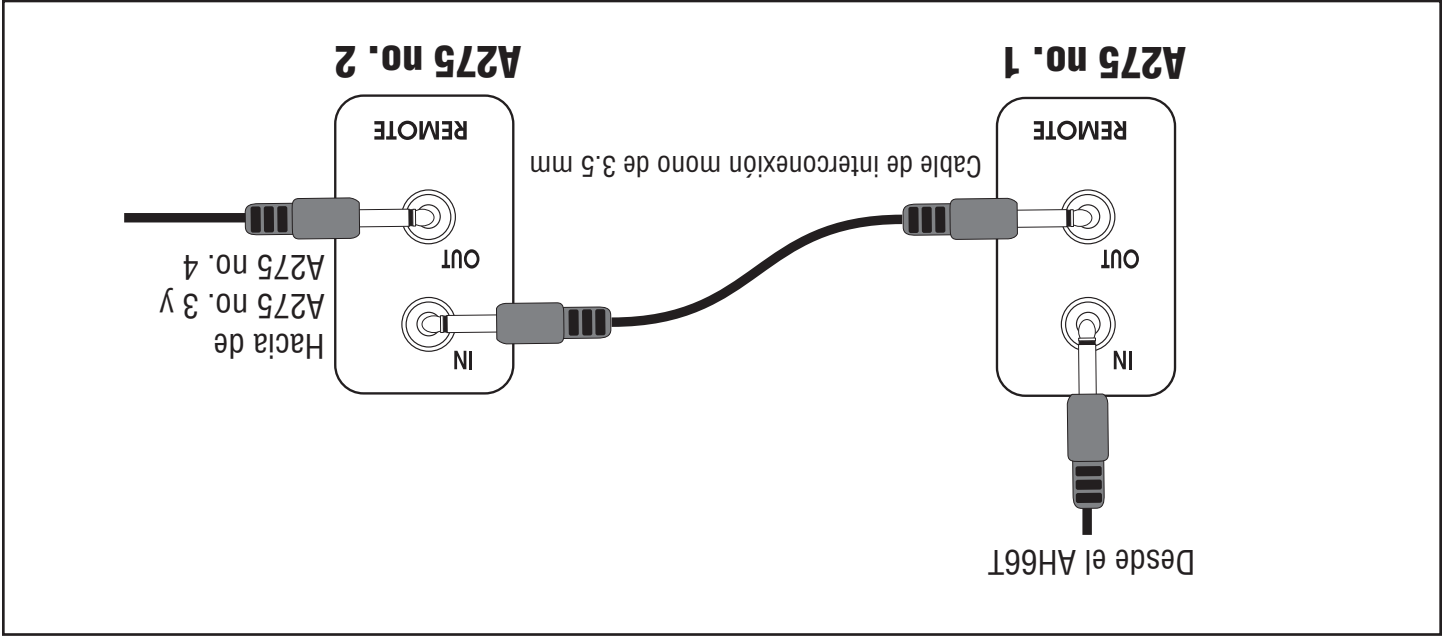


Figura 3-5: Salida del activador remoto

El A275 está equipado con terminales de conexión para altavoces de 5 vías enchapados en oro. Estos permiten cinco métodos de terminación para los alambres de altavoces: cable pelado, terminal de horquilla, patilla, clavija banana simple y doble. Etiquete todos los cables de altavoz con el nombre del destino para que la configuración sea más sencilla. Para conectar los cables de los altavoces emplee el siguiente método:

1. Abra cuidadosamente el aislante del cable del altavoz al menos dos pulgadas.
2. Quite al menos media pulgada del material aislante del cable del altavoz, dejando expuesto el alambre.
3. Tuerza los hilos de alambre de cada conductor; si usa clavijas banana, conecte el alambre a la clavija observando la polaridad.
4. Si usa clavijas banana, introduzca los extremos de la clavija en el terminal de conexión observando la polaridad. Si emplea el método del cable pelado, atíjelo las tapas de los terminales de conexión y pase el alambre a través del terminal. Apriete la tapa hasta que el alambre quede bien sujetado.

¡ATENCIÓN! Las conexiones de los cables de los altavoces deben hacerse con el amplificador APAGADO!

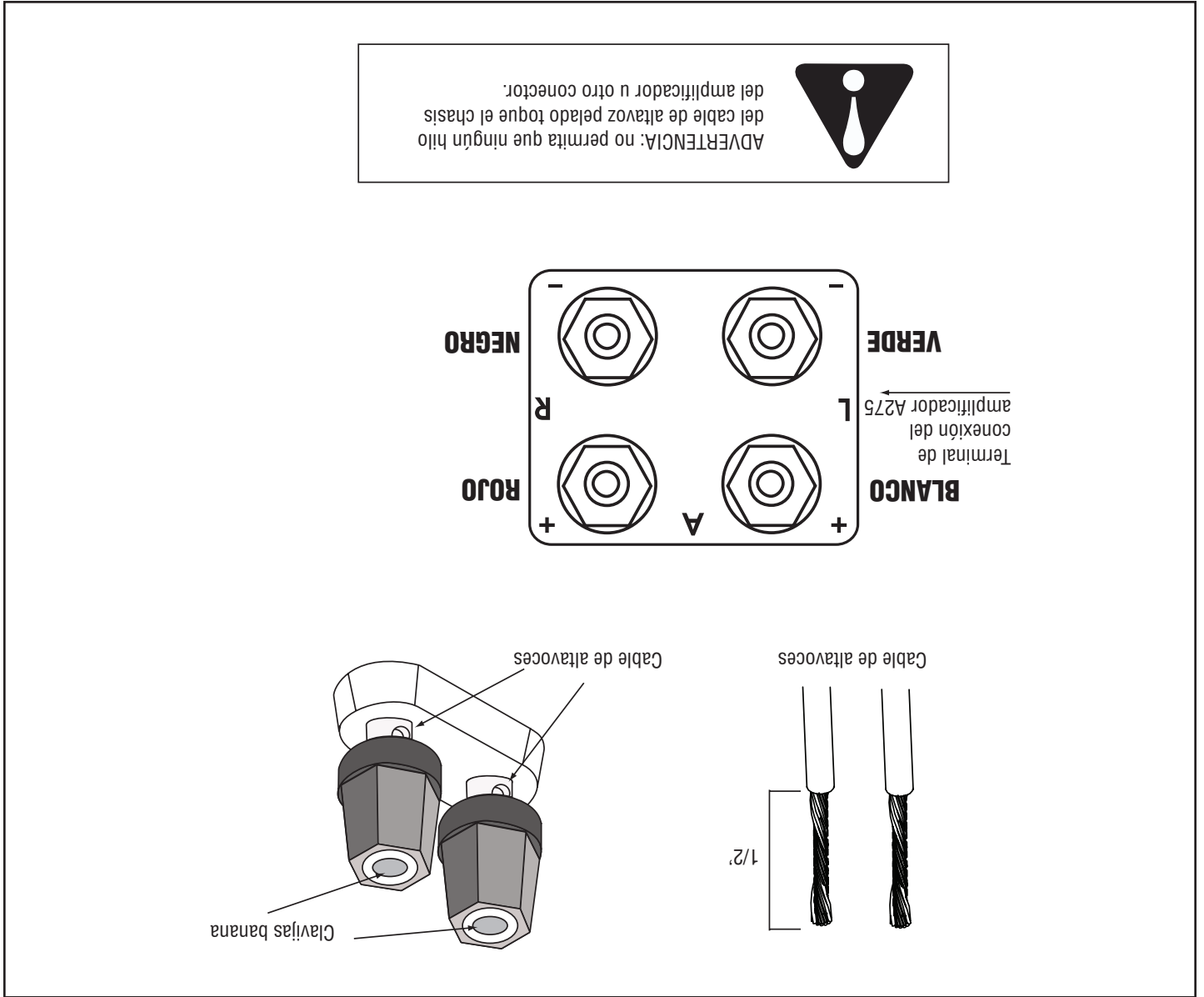


Figura 3-3: Terminal de conexión para altavoz

Salidas de línea
 Una señal de audio estéreo o monoaural conectada a la ENTRADA DE LÍNEA principal del A275 es enviada a las salidas de línea RCA del A275. Esta función es excelente para sistemas de audio distribuido independientes en el que una fuente (es decir, un receptor de audio/video) proporciona sonido a toda la casa y también para múltiples habitaciones ATON en las que una señal de audio de una zona necesita ser enviada a varios canales del amplificador. Ejemplos de ambas aplicaciones se muestran en el **Capítulo 2**. Las salidas de línea de audio permiten conectar amplificadores adicionales para expandir el sistema. Use cables de interconexión RCA de alta calidad para mantener el ruido al mínimo y obtener un excelente sonido. Las salidas de línea del A275 están amplificadas; se pueden conectar en cadena hasta cuatro amplificadores a cada salida de línea.

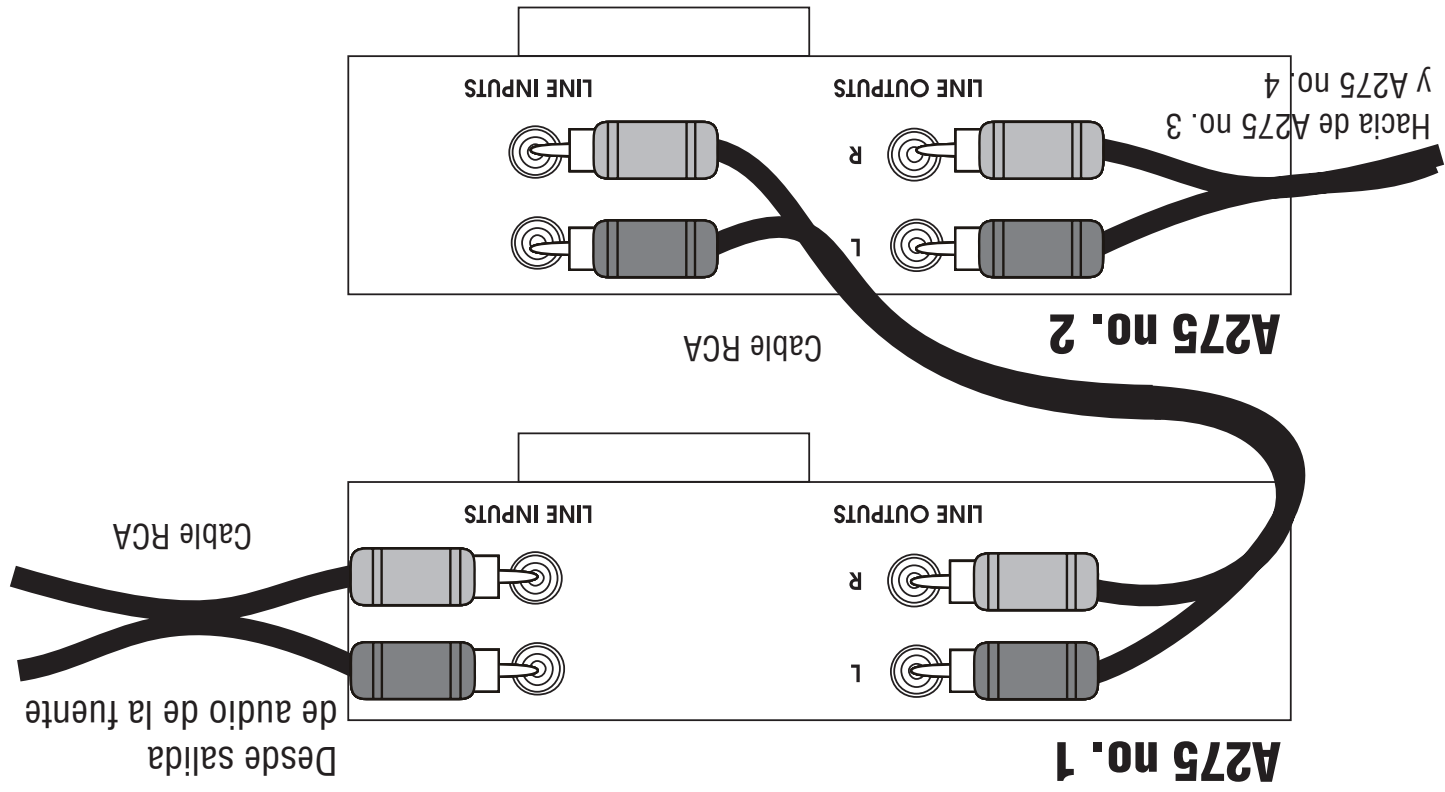


Figura 3-2: Salidas de línea

Capítulo 3: Conexiones

El A275 posee varias conexiones en el panel trasero, por lo que es importante rotular correctamente todos los cables y alambres. Etiquete todos los cables de entrada/salida y los alambres de altavoces con el nombre del destino o la fuente. Esto le ahorrará tiempo durante la instalación y durante futuras actualizaciones del sistema.

Use cables de tipo RCA de alta calidad para la conexión de la fuente a fin de mantener el nivel de ruido al mínimo y obtener el mejor sonido posible. Para la mayoría de las aplicaciones use cables para altavoz de dos conductores 16AWG. Para conexiones de más de 25 m se recomienda usar cable para altavoz de dos conductores 14AWG. El terminal de conexión de 5 vías de alta calidad enchapado en oro del A275, le permite conectar cables para altavoz de hasta 12AWG. Es posible conectar cables de mayor tamaño usando clavijas banana. Para la activación del amplificador y de los sistemas se puede usar cable de interconexión jack mono de 3.5 mm.

Entradas de audio de nivel de línea

Conecte las zonas, introduciendo los conectores RCA en la toma de entrada directa dedicada de cada canal.

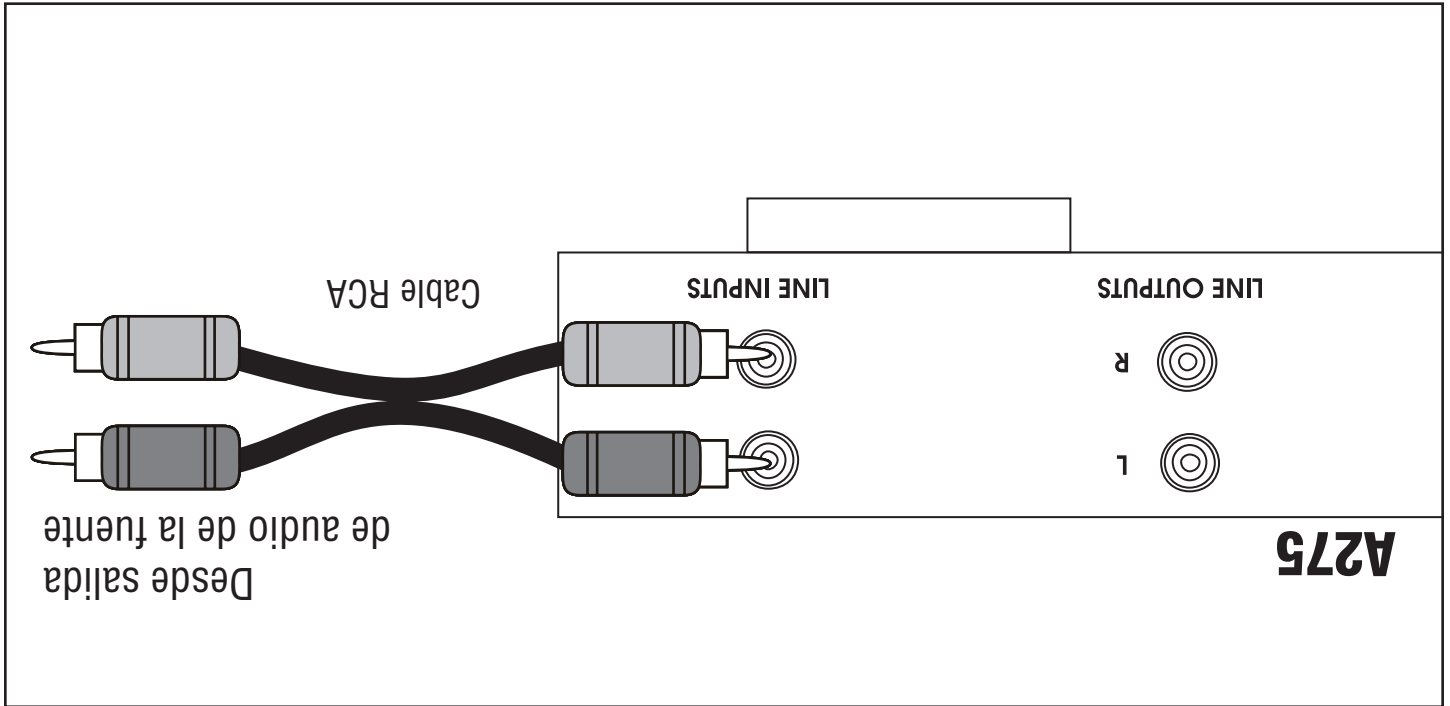
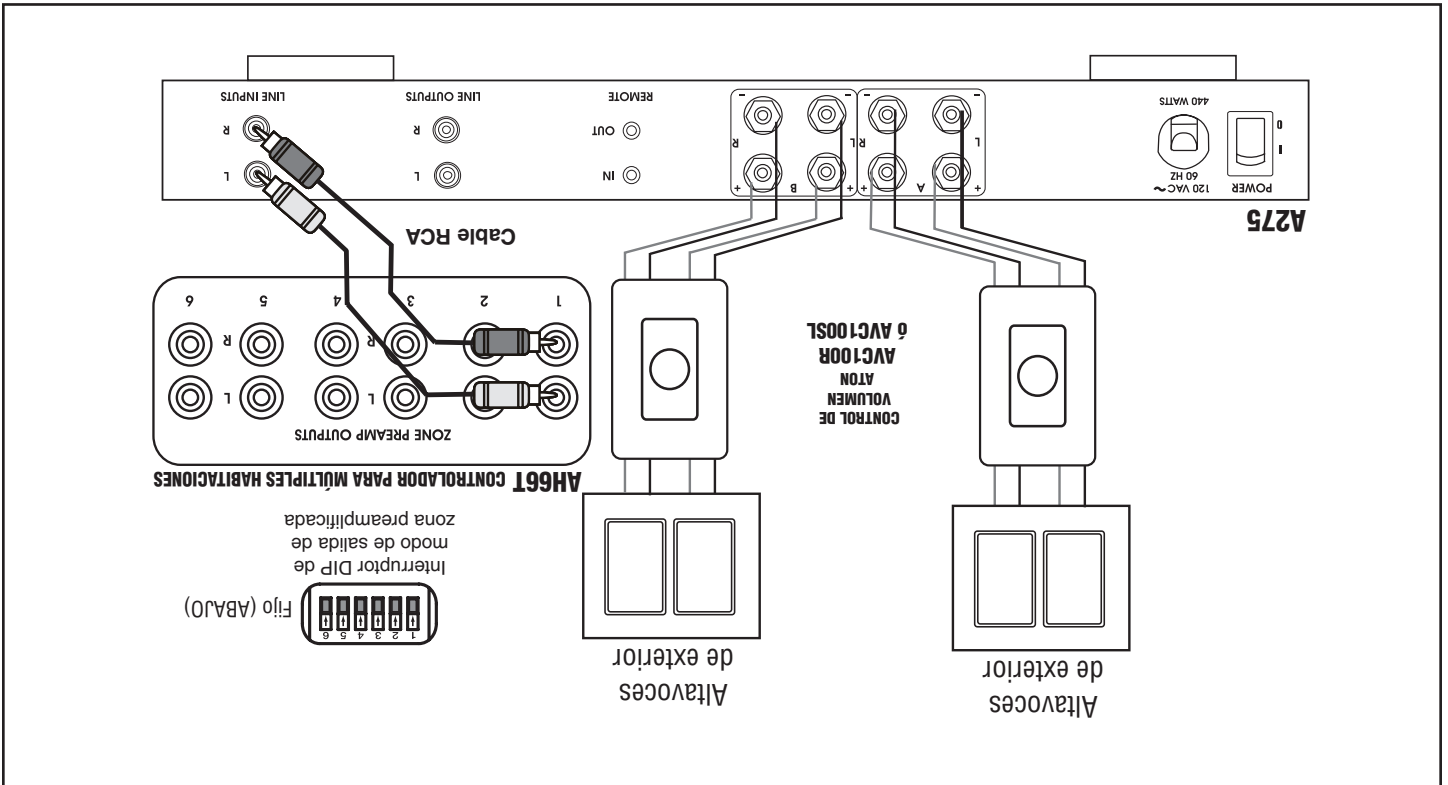


Figura 3-1: Entradas de línea

Véase el cuadro de configuraciones de adaptación de impedancia y controles de volumen, en la página anterior.

IMPORTANTE

Figura 2-5: Subzonas del AH66T



- Salidas preamplificadas 1 y 2 a entradas de línea 1 y 2
 - Interruptores DIP de preamplificación en la posición Fijo
 - Controles de volumen en cada salida de altavoz
- Cada zona y subzona tiene controles de volumen independientes

Subzonas estéreo del AH66T

Subzonas estéreo en múltiples habitaciones

El controlador para múltiples habitaciones integrado AH66T de ATON incorpora amplificación para seis zonas estéreo además de seis conjuntos de salidas preamplificadas para agregar subzonas. El A275 es perfectamente apropiado para amplificar subzonas exteriores mediante controles de volumen giratorios o electrónicos si se desea funcionalidad para regular el volumen en forma independiente en las subzonas según se indica en el ejemplo del AH66T de abajo.

Subzonas estéreo del AH66T

- Salida preamplificada 1 y 2 a entradas de línea 1 y 2
 - Interruptores DIP de preamplificación en la posición VARIABLE
- El volumen de los altavoces de cada zona y subzona fluctúa junto

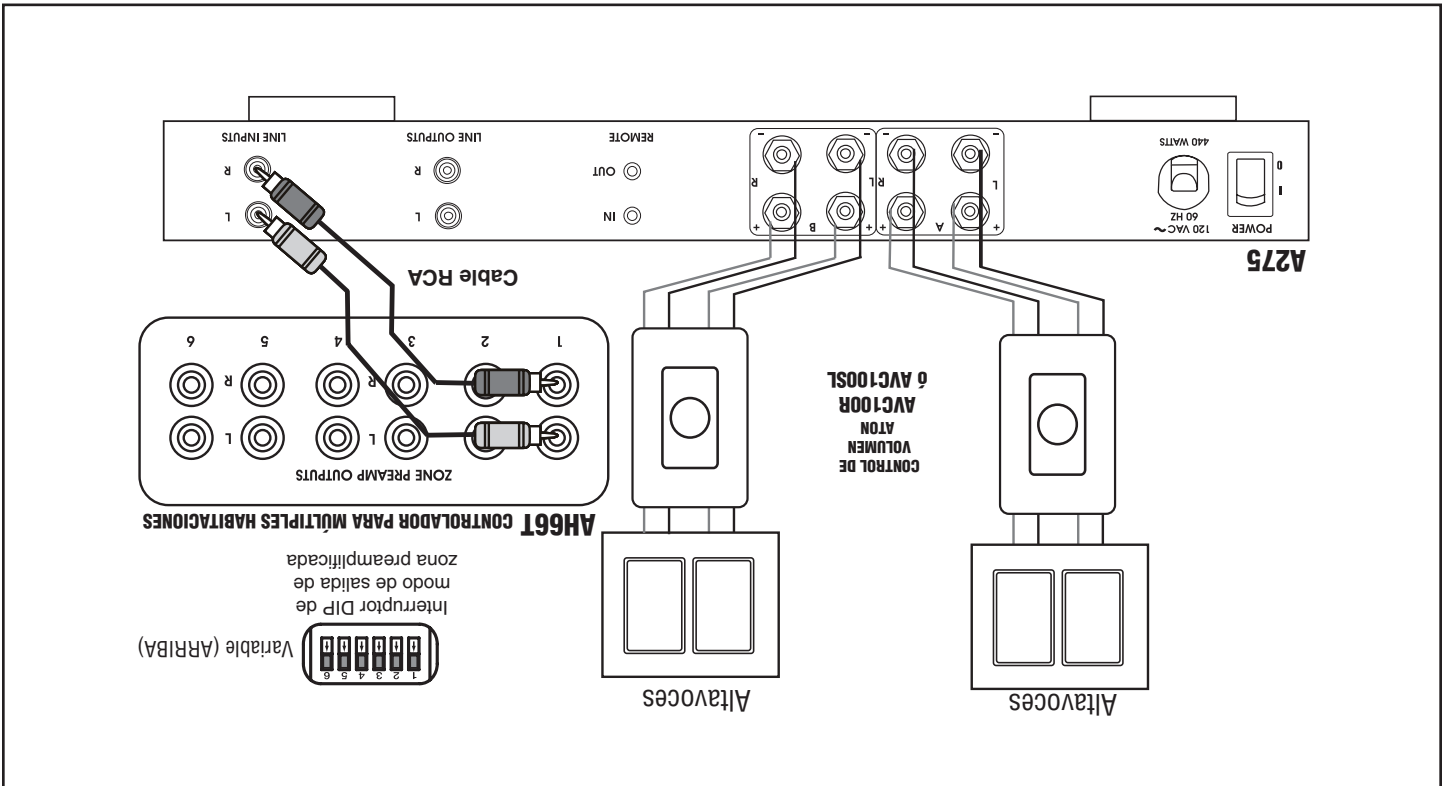


Figura 2-4: Subzonas del AH66T
IMPORTANTE
 Véase el cuadro de configuraciones de adaptación de impedancia y controles de volumen, en la página anterior.

Aplicaciones

Altavoces de 4/6/8 ohm con controles de volumen

• Salida de audio a entradas de línea 1 y 2

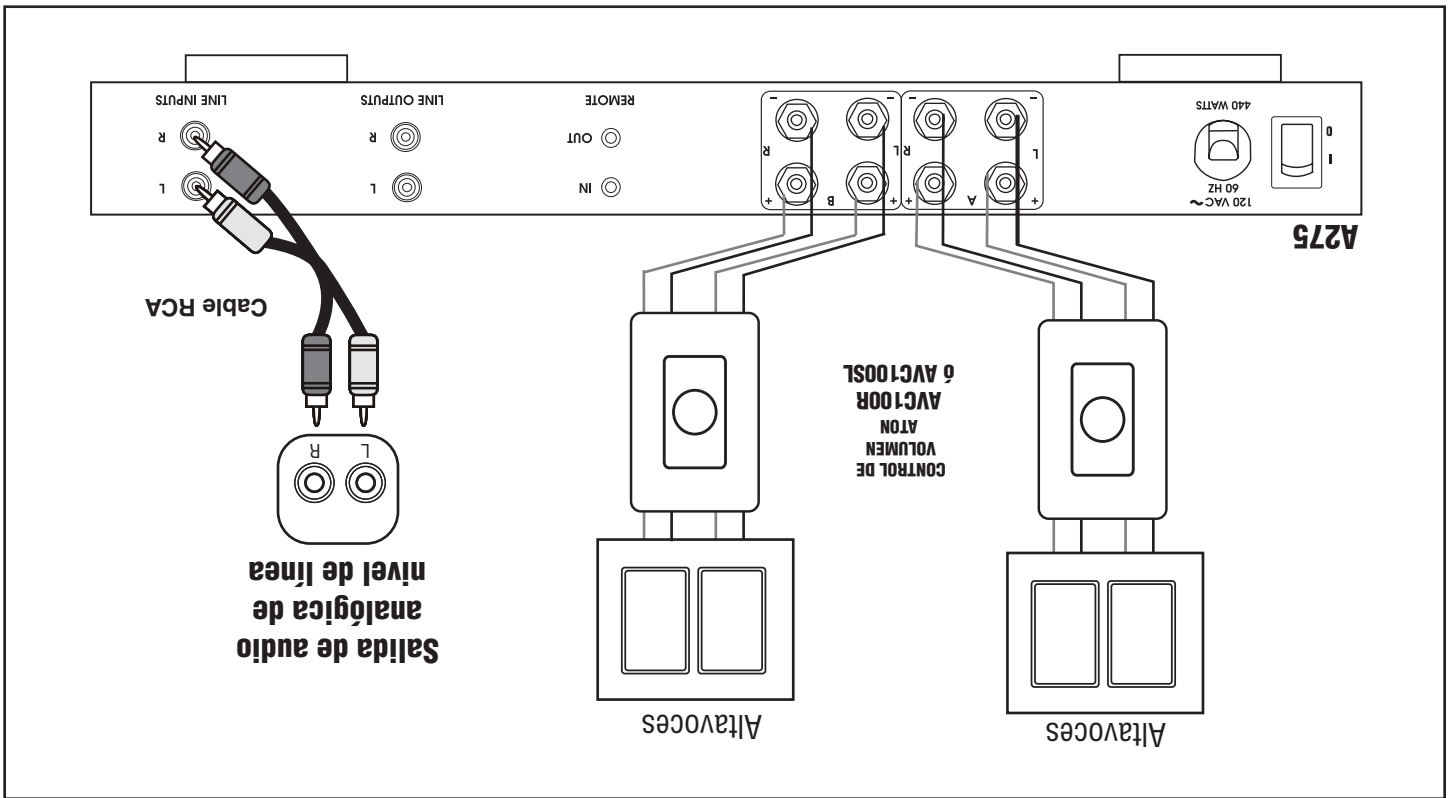


Figura 2-3: Altavoces de 4/6/8 ohm con controles de volumen

Configuración de adaptación de impedancia del control de volumen		Pares de 8 altavoces de 8 ohm		Potencia máxima en vatios por altavoz		Pares de 6 altavoces de 6 ohm		Potencia máxima en vatios por altavoz		Pares de 4 altavoces de 4 ohm		SIN RECOMENDACIÓN	
8X	4X	2X	1X	16	18.0	12	24.0	1.0	18.0	1.5	24.0	12.0	36.0
8	6	4	3	6.0	12.0	6	24.0	6.0	12.0	9.0	18.0	4	12.0
12	4	3	2	18.0	36.0	18.0	36.0	18.0	36.0	18.0	36.0	3	24.0

Uso del A275 con controles de volumen con adaptación de impedancia y potencia máxima en vatios de los altavoces.

Consideraciones en cuanto al diseño del sistema

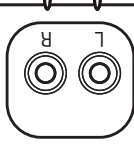
Agregar varios altavoces a un amplificador de potencia disminuye la potencia enviada a cada altavoz ya que la potencia total se divide entre los altavoces conectados. Aparte de las preferencias de volumen del consumidor, hay varios factores más que afectan la potencia total de salida del amplificador, tales como la ganancia de la señal de entrada, la impedancia, la tensión CA, la longitud y el diámetro del cable, la pérdida de inserción en controles de volumen, el tamaño de la habitación, etc. Este cuadro emplea matemática sencilla y no representa los dB reales, cálculos de SPL, etc. Se proporciona a modo de guía únicamente para demostrar la teoría y ofrecer una guía de diseño básica. Usted no puede sobrecargar el sistema porque éste tiene margen dinámico o energía de reserva según se requiera. Si usted no suministra energía o amplificación suficiente al sistema, el amplificador tiende a ser exigido más allá de su zona de seguridad, lo que a la larga causa limitación de picos y fallas en el sistema.

Para las aplicaciones de audio de fondo para interiores sólo se requieren unos pocos vatios, típicamente en el orden de 1 a 10. Para zonas de audición principales, debe calcular entre 5 a 20 vatios dependiendo de la aplicación. Las aplicaciones de exterior requieren mayor potencia debido a la baja reflectividad de sonido y al mayor tamaño del lugar, por eso calcule ¡40 vatios o más!

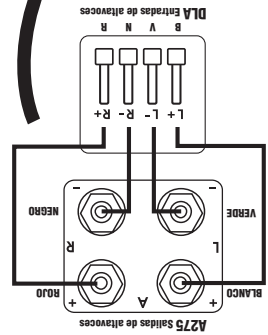
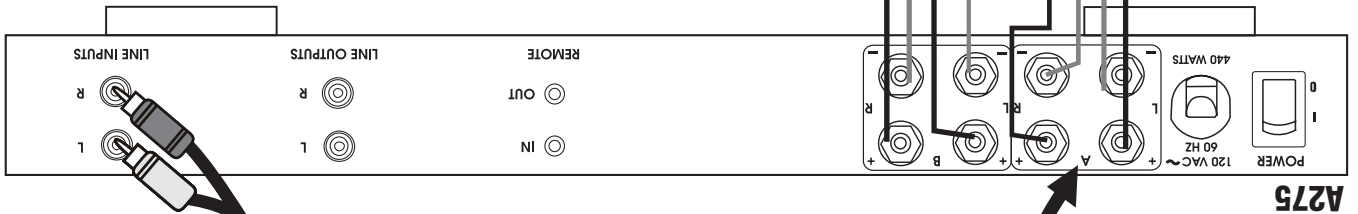
INSTALACIÓN DEL A275 CON SELETORES DE ALTAVOCES DE ALTAZONES PARA CINE EN CASA

RECEPTOR PARA CINE EN CASA

Salida de audio analógica de nivel de línea



Cable RCA



DLA4 1
SELETORES DE ALTAVOCES
(se puede usar un DLA2, DLA4 o DLA6)

DLA4 2
SELETORES DE ALTAVOCES
(se puede usar un DLA2, DLA4 o DLA6)

¡IMPORTANTE!
Para esta aplicación, el conmutador "AMP" de DLA debe estar en la posición UP (arriba) u "8" Ohm. Coloque el conmutador "SPKR" en la posición "4" u "8" Ohm según la impedancia de los altavoces que está usando.

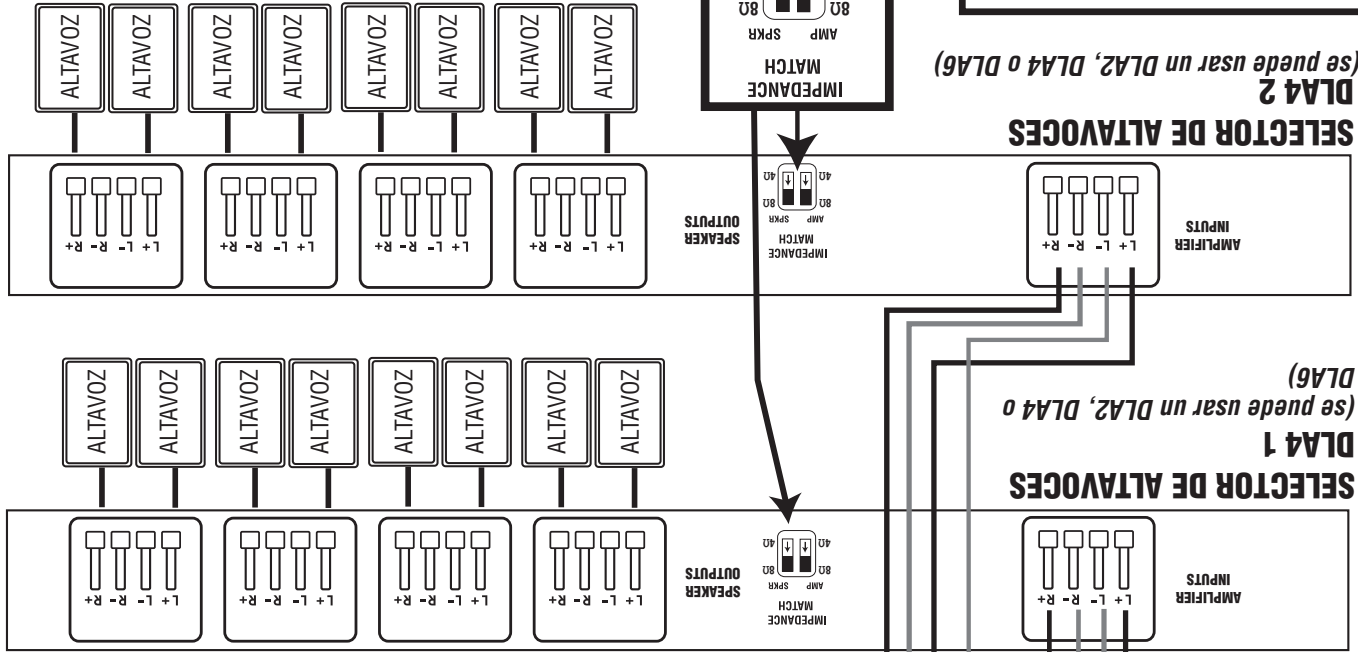


Figura 2-2: A275 y SELETORES DE ALTAVOCES DLA MÚLTIPLES

L = Izquierda

R = Derecha

Consideraciones en cuanto al cableado
Cables para altavoz 14-16 AWG
Cables de audio
Activadores

2 cables conductores con conector jack mono de 3,5 mm.

Capítulo 2. Diseño de sistema y aplicaciones

Diseño de sistema

El A275 está diseñado para alimentar múltiples pares de altavoces de interior o exterior desde prácticamente cualquier fuente de sonido. Una instalación típica consta de una salida de línea de zona 2 o zona 3 de un receptor para cine en casa que alimenta al amplificador A275. Las salidas amplificadas del A275 pueden alimentar altavoces, controles de volumen o enrutadores de altavoces de ATON DLA, dependiendo de la aplicación. La ventaja de usar un DLA junto con el A275 es la capacidad de alimentar varios pares de altavoces y, al mismo tiempo, disfrutar los beneficios del enrutador DLA: protección automática de impedancia, ajuste dinámico de nivel de volumen, control remoto infrarrojo discreto y control remoto de radiofrecuencia. El A275 está diseñado para alimentar uno o más DLA tales como el DLA2, el DLA4 o el DLA6. Si necesita asistencia adicional para instalar o configurar el DLA, consulte el manual de instalación del DLA.

Consideraciones en cuanto al cableado

Cables para altavoz

Cables para altavoz 14-16 AWG

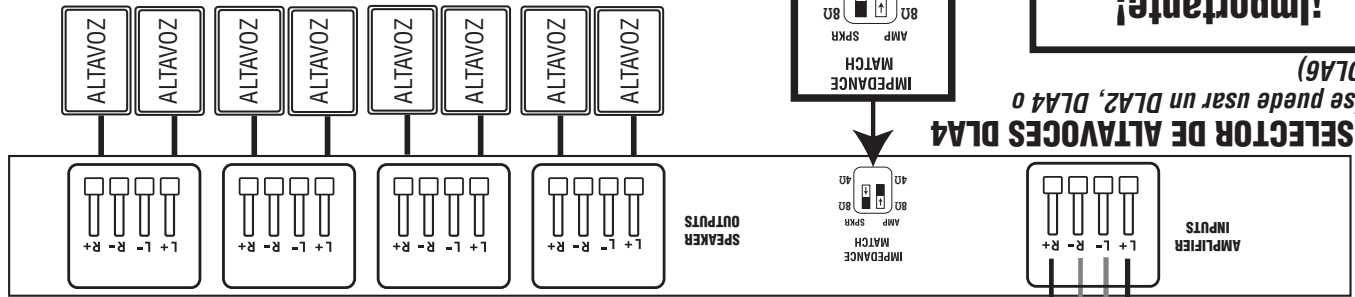
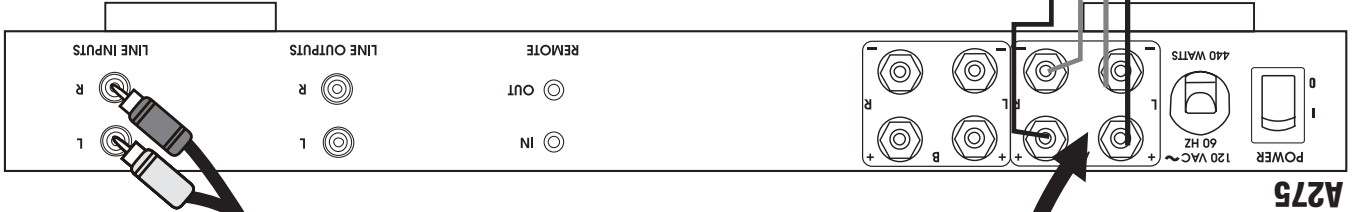
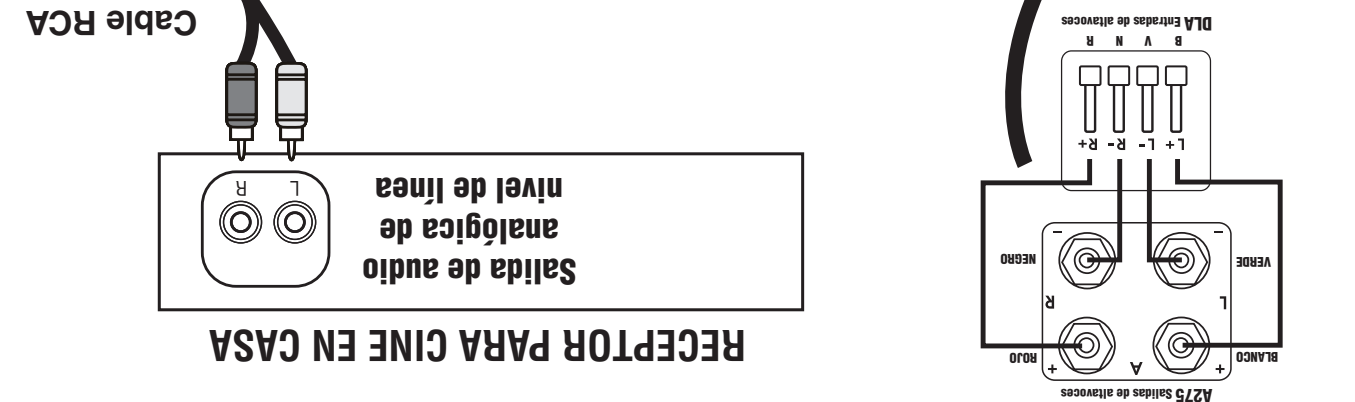
Cables de audio

Cables RCA

Activadores

2 cables conductores con conector jack mono de 3.5 mm.

INSTALACIÓN DEL A275 CON UN SELECTOR DE ALTAVOCES DLA



¡Importante!
Para esta aplicación, el conmutador "AMP" debe estar en la posición inferior o "4" Ohm. Coloque el conmutador "SPKR" en la posición "4" u "8" Ohm según la impedancia de los altavoces que esté usando.

Figura 2-1: A275 y SELECTOR DE ALTAVOCES DLA

R = Derecha
L = Izquierda

ELEMENTO	FUNCIÓN
1	INTERRUPTOR DE ENCENDIDO
2	CABLE DE ENERGÍA
3	SALIDAS DE ALTAVOCES
4	ENTRADA/SALIDA DEL ACTIVADOR DE SISTEMA
5	SALIDAS DE LÍNEA
6	ENTRADAS DE LÍNEA

Cuadro 1-2: Panel trasero

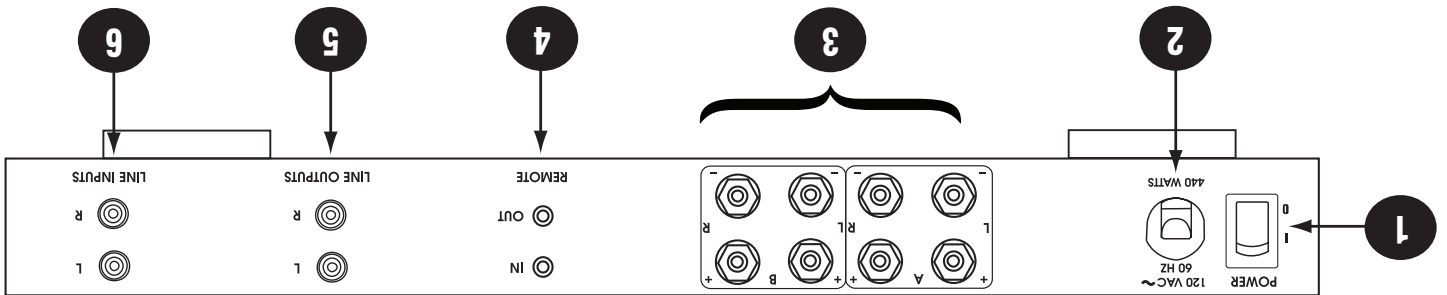


Figura 1-2: Panel trasero del A275

PARTES TRASERA

Panel trasero del A275

ELEMENTO	FUNCIÓN
1	Potenciómetros de ganancia de canal (2)
2	LED DE ENCENDIDO - Emite luz azul cuando el interruptor de encendido está en la posición ON (ENCENDIDO) y la unidad está conectada.

Cuadro 1-1: Panel frontal

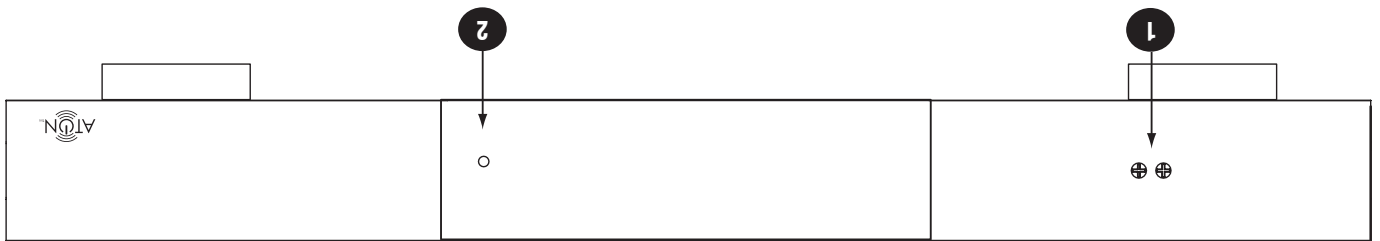


Figura 1-1: Panel frontal del A275

PARTES FRONTAL

Funciones e indicadores del panel frontal del A275

Capítulo 1: Introducción

Gracias por comprar el amplificador de potencia de dos canales A275 de ATON. Pronto experimentará la calidad y confiabilidad que ponemos en todos nuestros productos. La base fundamental de todo sistema de audio distribuido es la amplificación. La prueba de fuego de cualquier amplificador es su capacidad para alimentar, con baja impedancia, varios altavoces durante horas. En este aspecto, ¡el A275 se luce! El calor es la principal causa de falla en amplificadores, o pérdida temporal del audio a causa de la circuitería de protección de apagado térmico, también llamada "sobrecalentamiento". Desde luego, esto ocurre generalmente cuando está brindando entretenimiento a una casa ¡llena de invitados! ATON diseñó el A275 con dos largas filas de aletas de enfriamiento externas para aumentar su capacidad de disipación de calor. Una mayor capacidad de enfriamiento equivale a una mayor vida útil del producto, una señal de audio más limpia y, desde luego, ¡clientes más satisfechos!

Características del A275

- 2 x 45 vatios por canal a 8 ohm
- 2 x 75 vatios por canal a 4 ohm

Salidas de línea amplificadas

- Permiten enviar la señal a otros amplificadores A275, receptores de audio/video, etc.

Entrada/salida del activador de sistema

- La ENTRADA DEL ACTIVADOR DE SISTEMA permite DESACTIVAR EL SILENCIAMIENTO de todos los canales del amplificador al recibir una señal.
- La SALIDA DEL ACTIVADOR DE SISTEMA envía un pulso de +12 VCC cada vez que se DESACTIVA EL SILENCIAMIENTO de cualquiera de los canales del amplificador.

Ajuste individual de nivel de canal

- Ajuste el nivel de cada canal mediante potenciómetros de precisión.

Término de conexión para altavoces de 5 vías

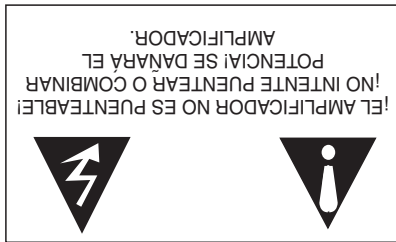
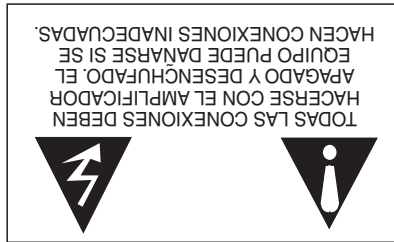
- El A275 está equipado con terminales de conexión para altavoces de 5 vías enchapados en oro. Estos permiten cinco métodos de terminación para los alambres de altavoces: cable pelado, terminal de horquilla, patilla, clavija banana simple y doble.

En cuanto a seguridad

Conecte este producto solamente a tomacorrientes con conexión a tierra. Hacer cualquier modificación al cable de energía puede causar un funcionamiento peligroso y dejará sin efecto la garantía del fabricante.

Consideraciones en cuanto a alimentación CA

El A275 requiere 3.7 A de corriente alterna. Cuando diseñe un sistema para toda la casa mediante amplificadores multicanal, asegúrese de suministrar energía suficiente para todos los equipos electrónicos que se instalarán. Para esto puede ser necesario instalar tomacorrientes y/o disyuntores adicionales. En este caso consulte a un electricista calificado.



- Contenido de la caja:**
- Amplificador de potencia de dos canales A275
 - Escuadras para montaje en soporte
 - Manual de instalación



A275

Amplificador de potencia

Índice

Propósito de este manual	1
Organización	1
Información de seguridad	1
Capítulo 1: Introducción	1
Introducción	1
Características del A275	1
Funciones e indicadores del A275	2
Panel frontal	2
Panel trasero	2
Capítulo 2: Información general del diseño de sistema del A275	3
Diseño de sistema	3
Consideraciones en cuanto al cableado	3
Aplicaciones	3-5
Aplicaciones del amplificador y del selector de altavoces	3-4
Aplicaciones del control de volumen	5
Aplicaciones para múltiples habitaciones	6-7
Capítulo 3: Conexiones del A275	8
Conexiones	8
Entradas de línea	8
Salidas de línea	9
Conexiones de altavoces	10
Activadores	11
Capítulo 4: Operaciones y ajustes	12
Capítulo 5: Resolución de problemas	13-14
Apéndice A: Especificaciones	15
Apéndice B: Montaje en soporte	16-17
Garantía	20

Limpieza—Desenchufe el aparato antes de limpiarlo. Use solamente un paño seco para limpiar el aparato.

Cables eléctricos—Las antenas exteriores deben instalarse lejos de cables eléctricos. Al instalar un sistema de antena exterior, debe tener extremo cuidado de no tocar los circuitos o cables eléctricos, ya que podría ser fatal.

Puesta a tierra mediante antena exterior—Si se conecta una antena exterior o un sistema de cable a estos artefactos de audio, asegúrese de que la antena o el sistema de cable tenga conexión a tierra para proteger el equipo contra las alzas de voltaje y la acumulación de cargas eléctricas estáticas. En la Sección 810 del Código Eléctrico Nacional de EE.UU. y en la Sección 54 del Código Eléctrico de Canadá se proporciona información con respecto a la conexión a tierra del mástil y de la estructura de apoyo, conexión a tierra del cable de acometida a una unidad de descarga de antena, tamaño de los conductores de puesta a tierra y requisitos de estos últimos. Véase el diagrama de conexión a tierra (derecha).

Sobrecarga—No sobrecargue los tomacorrientes de pared ni las extensiones, ya que esto podría causar un incendio o una descarga eléctrica.

Ingreso de objetos y líquidos—No introduzca objetos de ningún tipo por las aberturas de estos aparatos, ya que podrían tocar puntos con voltajes peligrosos o provocar cortocircuitos que podrían causar un incendio o una descarga eléctrica. Se debe cuidar de no dejar caer objetos o derramar líquidos dentro del aparato a través de las aberturas de la carcasa.

Servicio—No intente reparar estos aparatos usted mismo, ya que al abrirlo o retirar las cubiertas puede exponerse a voltajes peligrosos u otros riesgos. Todo servicio debe ser realizado por personal técnico calificado.

Daños que requieren servicio—Estos aparatos deben ser revisados por personal técnico calificado cuando:

- Una conexión de la fuente de alimentación o un enchufe se ha dañado, o
- Si se ha derramado líquido o han caído objetos dentro del aparato, o
- El aparato ha sido expuesto al agua o a la humedad, o
- El aparato no parece funcionar con normalidad o muestra un cambio notorio en su funcionamiento, o
- El aparato se ha caído o la carcasa se ha dañado.

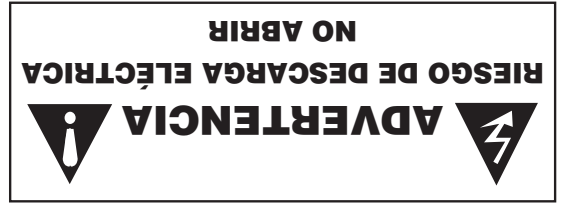
Repuestos—Cuando sea necesario reemplazar un componente, asegúrese de que el técnico use repuestos especificados por el fabricante o que tengan las mismas características que el componente original. Las sustituciones no autorizadas pueden causar incendios, descargas eléctricas u otros peligros. La batería de la Unidad de Control Maestro debe ser reemplazada solamente por un instalador autorizado y solamente después de desenchufar el aparato.

Revisión de seguridad—Después de realizar cualquier mantenimiento o reparación a este equipo de audio, pídale al técnico que realice verificaciones de seguridad para determinar que el producto de audio está en condiciones de operación adecuadas.

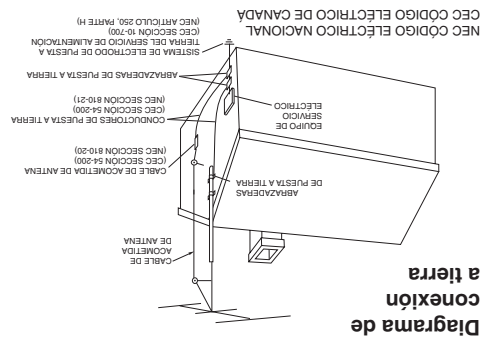
Tormentas eléctricas—Desconecte este aparato durante tormentas eléctricas o cuando permanezca sin uso por tiempos prolongados.

Aditamentos y accesorios—Use solamente aditamentos/accesorios especificados por el fabricante.

Carro, base, trípode, soporte de pared o mesa—Use solamente con el carro, base, trípode, soporte de pared o mesa especificado por el fabricante o vendido junto con el aparato. Cuando use un carro, tenga precaución al mover el aparato para evitar lesionarse si el sistema se da vuelta.



Aparato de desconexión—Cuando se use el enchufe o un conector del equipo como aparato de desconexión, el aparato de desconexión debe permanecer listo para ser usado en cualquier momento.



una explosión.

Teléfonos—Evite usar teléfono (salvo uno de tipo inalámbrico) durante una tormenta eléctrica. Existe un riesgo mínimo de descarga eléctrica a causa de un rayo. No use teléfono para informar de una fuga de gas si la fuga ocurre en los alrededores del equipo electrónico ATON, ya que existe el riesgo de que se produzca un incendio o el lugar donde salen del aparato.

Protección del cable de energía—Proteja el cable de energía para que no lo pisen o aprieten, especialmente en los enchufes, en los receptáculos y en lavamanos, un lavaplatos, lavadero, en un sótano húmedo o cerca de una piscina.

Agua y humedad—Para disminuir el riesgo de incendio o descarga eléctrica, estos aparatos no deben usarse cerca del agua, por ejemplo, cerca de una tina, un lavamanos, un lavaplatos, lavadero, en un sótano húmedo o cerca de una piscina.

Puesta a tierra o polarización—No anule el propósito de seguridad del enchufe polarizado o con toma de tierra. Un enchufe polarizado tiene dos hojas, una más ancha que la otra. Un enchufe con conexión a tierra tiene dos hojas y una tercera pata de puesta a tierra. La hoja ancha polarizada y la tercera pata se proporcionan para su seguridad. Si el enchufe proporcionado no encaja en su tomacorriente, pídale a un electricista que reemplace el tomacorriente obsoleto.

Fuentes de alimentación—Estos aparatos deben conectarse únicamente a una fuente de alimentación del tipo descrito en las instrucciones de operación o según se indica en cada aparato. Si no está seguro del tipo de suministro eléctrico de su hogar, consulte a un distribuidor de ATON autorizado o a la empresa eléctrica local.

Periodos sin usar—Los aparatos sin atender y que permanezcan sin uso durante mucho tiempo deben dejarse desenchufados.

Ventilación—Estos aparatos deben situarse de tal manera que su ubicación o posición no interfiera con su adecuada ventilación. Estos aparatos nunca deben colocarse cerca de un radiador o una rejilla de calefacción, o sobre estos. Estos aparatos no deben colocarse en un mueble empotrado como un librero o armario que pueda impedir el flujo de aire a través de las ranuras de ventilación.

Montaje en pared—El montaje de este aparato debe ser realizado solamente por un instalador autorizado.

Preste atención a las advertencias—Se debe prestar atención a todas las advertencias impresas en el aparato y en las instrucciones de operación.

Guarde la información—La información de seguridad y operación debe guardarse para referencia futura.

Siga las instrucciones—Se deben seguir todas las instrucciones de operación y uso.

Lea la información—Se debe leer toda la información de seguridad y operación antes de usar el aparato.

INFORMACIÓN IMPORTANTE DE SEGURIDAD



PRECAUCIÓN

ADVERTENCIA: PARA DISMINUIR EL RIESGO DE INCENDIO O DE DESCARGA ELÉCTRICA, NO EXPONGA ESTE APARATO A LA LLUVIA NI A LA HUMEDAD.



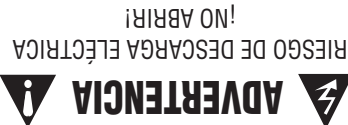
El signo de exclamación que se encuentra dentro de un triángulo equilátero tiene por finalidad alertar al usuario de la presencia de importantes instrucciones de operación y mantenimiento (servicio) en la documentación que viene incluida con el artefacto.



La figura de relámpago con punta de flecha que se encuentra dentro de un triángulo equilátero, tiene por finalidad alertar al usuario de la presencia de "voltaje peligroso" sin aislamiento en el interior del producto que podría tener potencia suficiente para constituir riesgo de descarga eléctrica para las personas.

PRECAUCIÓN: EXISTE RIESGO DE EXPLOSIÓN SI LA BATERÍA ES SUSTITUIDA POR UNA INCORRECTA. DESECHE LAS BATERÍAS USADAS SEGÚN LAS INSTRUCCIONES.

PRECAUCIÓN: PARA DISMINUIR EL RIESGO DE UNA DESCARGA ELÉCTRICA, NO RETIRE LA CUBIERTA (O PARTE POSTERIOR). NO CONTIENE PARTES QUE EL USUARIO PUEDA MANIPULAR. EL SERVICIO DEBE REALIZARLO EL PERSONAL TÉCNICO CALIFICADO.



ADVERTENCIA

RIESGO DE DESCARGA ELÉCTRICA

!NO ABRIR!

Prólogo

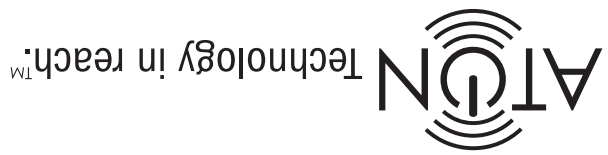
Propósito de este manual

Este manual contiene instrucciones de instalación y ejemplos de conexión de potencia de dos canales A275. Este manual está dirigido al instalador de este equipo.

Organización

Este manual contiene la siguiente información:

Información de seguridad	Proporciona una lista completa de prácticas y procedimientos de seguridad que permiten instalar y operar de manera segura el amplificador de potencia de dos canales A275 de ATON.
Introducción al A275	Otorga una introducción al amplificador de potencia de dos canales A275, además de características del sistema para incorporar controles en el panel frontal y trasero, indicadores y conexiones, junto con una breve descripción de cada uno de ellos.
Información general del diseño de sistema del A275	Proporciona información general de aplicación del diseño de sistema del amplificador de potencia de dos canales A275 para utilizar en aplicaciones de audio.
Conexiones del A275	Otorga una descripción de las conexiones del amplificador de potencia de dos canales A275 tales como conexiones con sistemas de audio para múltiples habitaciones ATON y conexiones directas al amplificador de potencia de dos canales A275 desde otros componentes.
Resolución de problemas	Proporciona tablas de resolución de problemas para ayudarle a solucionar problemas que podrían estar asociados al amplificador de potencia de dos canales A275.
Especificaciones	En el Apéndice A se incluyen las especificaciones del amplificador de potencia de dos canales A275.
Montaje en soporte	En el Apéndice B se proporcionan especificaciones para el montaje en bastidor del amplificador de potencia de dos canales A275 mediante las escuadras de fijación incluidas.



A275

Amplificador de potencia de dos canales

Free Manuals Download Website

<http://myh66.com>

<http://usermanuals.us>

<http://www.somanuals.com>

<http://www.4manuals.cc>

<http://www.manual-lib.com>

<http://www.404manual.com>

<http://www.luxmanual.com>

<http://aubethermostatmanual.com>

Golf course search by state

<http://golfingnear.com>

Email search by domain

<http://emailbydomain.com>

Auto manuals search

<http://auto.somanuals.com>

TV manuals search

<http://tv.somanuals.com>