



## Operation Manual

Composite, S-Video and Component Video and  
Stereo Audio to SDI Video Converter

# AT-SDI220

MODEL: AT-SDI220



**TABLE OF CONTENTS:**

1. Introduction .....	1
2. Package Contents .....	1
3. Features .....	1
4. Specifications .....	1
5. Panel Description .....	2
6. Specific meanings switch .....	3
7. Block Diagram .....	3
8. Safety and notice .....	4
9. Warranty .....	4

## INTRODUCTION:

The Atlona Technologies AT-SDI230 is designed to convert composite video, S-video, component with 2 channel audio to SDI with the support of the 525i30 and 625i25 formats. The SDI230 has 1 x component analog (3 x BNC input), S-Video (2 x BNC input), and 1 x composite video (1 x BNC input), and 2 SDI outputs. This converter features phoenix audio connections giving the capabilities for 2 channel audio. Input formats can be selected by the dip switches located on the side of the device. The compact design of the AT-SDI230 makes using this converter easy to hide away for a professional and sleek look.

## PACKAGE CONTENTS:

- AT-SDI220 Converter
- Power Supply
- Operation Manual

## FEATURES:

- Analog Composite, S-Video and Component Video to SDI conversion
- Support 525i@30 and 625i@25 formats.
- 2 x channel stereo Audio Inputs
- Broadcast quality with 10 bit processing and 24KHz audio sampling

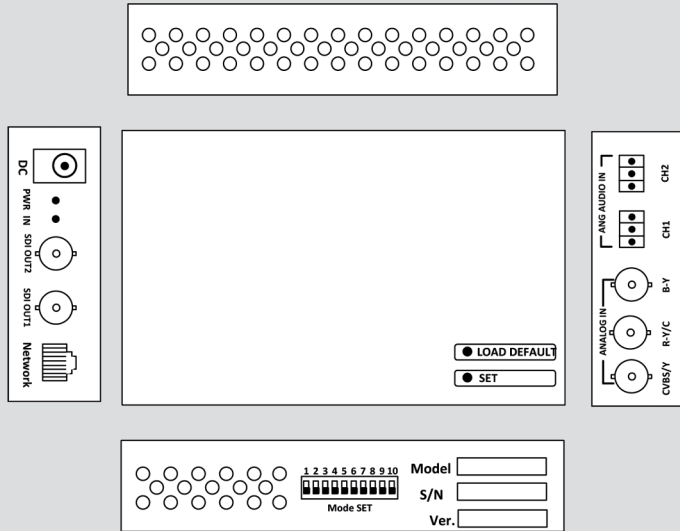
## SPECIFICATIONS:

ANALOG VIDEO INPUT	
Output interface	3*BNC connection (Can be used for component, composite and s-video)
Impedance	75Ω
System	PAL/NTSC compatible
Max cable length	≤600ft (tested with Belden 8281)
ANALOG VIDEO INPUT	
Output interface	3 x BNC connection
Impedance	75Ω
DIGITAL VIDEO OUTPUT	
Output interface	2 x SDI, BNC connection
Impedance	75Ω
Format	SMPTE 259M-C ; 270Mb/s
Eye pattern	800mV±10%
Rise time	750~1500PS (20%-80%)
Fall time	750~1500PS (20%-80%)
The difference between rise and fall	≤500PS
Jitter	<0.2UI
Status indicator	(Indicate by shining or extinguishing of the red and green LED)
Reserved net port	RJ45
Power consumption	
Power	12VDC 1.5A
Dimension (inch)	4.84 x 3.62 x 1.14

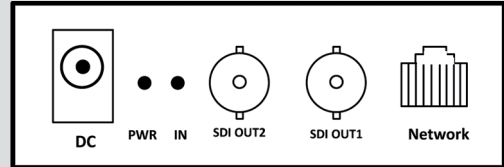
MODEL: AT-SDI220

**PANEL DESCRIPTION**

OUTLOOK



LEFT PANEL



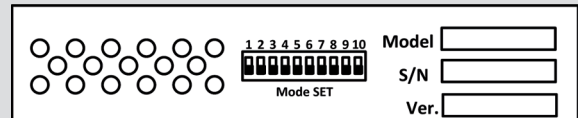
DC: 12V 1.5A

POWER: Power indicator LED lights green when the power is on  
 INPUT: Signal input indicator lights green when the input signal is in normal status.

- i. When a component signal is inputted, the indicator lights green meaning the first input signal Composite (from left) is normal ;
  - ii. When a composite signal is inputted, the indicator lights green meaning the first input signal Y (from left) is normal ;
  - iii. When a S video signal is inputted, the indicator lights green meaning the first input signal Y (from left) is normal ;
- SDI OUT : BNC interface, output digital video signal (supports embedded SDI)

Network: Reserved net port/ (Optional)

FRONT PANEL



MODE SET is DIP dial switch; Users can set the DIP to get more functions according to their actual demand. Please refer to the specific meanings switch table:

**SPECIFIC MEANINGS SWITCH:**

	DIP switch	1	2	3	4	5	6	7	8	9	10	
1	Auto gain	M/A	/	/	/	OFF	OFF	OFF	OFF	ON	Adjustment	
2	Analog video output	CVBS input	M/A	/	/	/	OFF	OFF	ON	OFF	ON	Adjustment
3		Component input	M/A	/	/	/	OFF	OFF	ON	ON	OFF	Adjustment
4		YC input	M/A	/	/	/	OFF	OFF	ON	ON	ON	Adjustment
5	Analog audio output	G1 CH1&CH2	M/A	/	/	/	ON	ON	OFF	OFF	OFF	Adjustment
		G1 CH3&CH4	M/A	/	/	/	ON	ON	OFF	OFF	ON	Adjustment
		G2 CH1&CH2	M/A	/	/	/	ON	ON	OFF	ON	OFF	Adjustment
		G2 CH3&CH4	M/A	/	/	/	ON	ON	OFF	ON	ON	Adjustment
		G3 CH1&CH2	M/A	/	/	/	ON	ON	ON	OFF	OFF	Adjustment
		G3 CH3&CH4	M/A	/	/	/	ON	ON	ON	OFF	ON	Adjustment
		G4 CH1&CH2	M/A	/	/	/	ON	ON	ON	ON	OFF	Adjustment
G4CH3&CH4	M/A	/	/	/	ON	ON	ON	ON	ON	Adjustment		
6	Set PAL system	M/A	/	/	/	ON	OFF	OFF	OFF	ON	Adjustment	
7	Set NTSC system	M/A	/	/	/	ON	OFF	OFF	ON	OFF	Adjustment	

Power switch UP=OFF DOWN=ON

10 positions for DIP switch configuration:

1) The first one indicates manual or automatic.

Select ON, the equipment is under manual status and it can set the function by dip switch; Select OFF, the equipment is under auto status and the function can be set by the computer.

2) #5 through #9 through the different settings to achieve specific functions

for example: set #5-9 as: OFF OFF OFF OFF ON. This means the user will adjust the gain of analog video signal

\*DIP # 1 and # 10 have to be ON in order to make any adjustments. DIP # 2~4 are reserved and not used for this product.

3) Dip # 10

Select ON, this indicates the dial switch is under adjustment status. Users can adjust the dip switchers according to the dip switch adjustments described earlier in the manual.

Select OFF, the equipment is under usual working condition and the dip switchers are disabled.

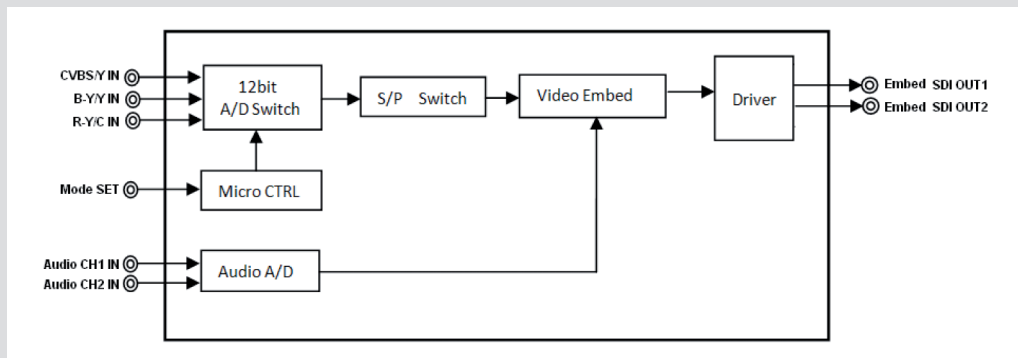
LOAD DEFAULT: recover factory default by toggling the button.

(Initial parameters are: auto gain, Composite input, PAL system)

\*SET is the DIP switch OK button.

After the adjustment of DIP, toggle the "SET" in order to activate the adjustments

**BLOCK DIAGRAM:**



MODEL: AT-SDI220



## SAFETY AND NOTICE:

Atlona's AT-SDI220 has been tested for conformance to safety regulations and requirements, and has been certified for international use. However, like all electronic equipments, these units should be used with care. Please read and follow the safety instructions to protect yourself or others from possible injury and to minimize the risk of damage to the unit.

- Follow all instructions and warnings marked on this unit.
- Do not attempt to service this unit yourself, except where explained in this manual.
- Provide proper ventilation and air circulation and do not use near water.
- Keep away the objects that might damage the device and assure that the placement of this unit is on a stable surface.
- Use only the power adapter, power cords and connection cables designed for this unit.
- Do not use liquid or aerosol cleaners to clean this unit. Always unplug the power to the device before cleaning.

## WARRANTY:

The SELLER warrants the AT-SDI220 to be free from defects in the material and workmanship for 3 years from the date of purchase from the SELLER or an authorized dealer. Should this product fail to be in good working order within this 3 year warranty period, The SELLER, at its option, repair or replace the unit, provided that the unit has not been subjected to accident, disaster, abuse or any unauthorized modifications including static discharge and power surge. This warranty is offered by the SELLER for its BUYER with direct transaction only. This warranty is void if the warranty seal on the metal housing is broken.

Unit that fails under conditions other than those covered will be repaired at the current price of parts and labor in effect at the time of repair. Such repairs are warranted for 90 days from the day of reshipment to the BUYER. If the unit is delivered by mail, customers agree to insure the unit or assume the risk of loss or damage in transit. Under no circumstances will a unit be accepted without a return authorization number.

The warranty is in lieu of all other warranties expressed or implied, including without limitations, any other implied warranty or fitness or merchantability for any particular purpose, all of which are expressly disclaimed.

Proof of sale may be required in order to claim warranty. Customers outside of the U.S. are responsible for shipping charges to and from the SELLER.

The content of this manual has been carefully checked and is believed to be accurate. However, The SELLER assumes no responsibility for any inaccuracies that may be contained in this manual. The SELLER will NOT be liable for direct, indirect, incidental, special, or consequential damages resulting from any defect or omission in this manual, even if advised of the possibility of such damages. Also, the technical information contained herein regarding the AT-SDI220 features and specifications is subject to change without further notice.

## Free Manuals Download Website

<http://myh66.com>

<http://usermanuals.us>

<http://www.somanuals.com>

<http://www.4manuals.cc>

<http://www.manual-lib.com>

<http://www.404manual.com>

<http://www.luxmanual.com>

<http://aubethermostatmanual.com>

Golf course search by state

<http://golfingnear.com>

Email search by domain

<http://emailbydomain.com>

Auto manuals search

<http://auto.somanuals.com>

TV manuals search

<http://tv.somanuals.com>