



Push Pole Holder

66346

Installation Instructions

Attwood marine hardware, navigational lighting, bilge pumps, and other marine accessories are specified more than any other brand by America's best-known boat manufacturers as original equipment. Look to Attwood for quality replacement parts and marine accessories.

SAVE THESE INSTRUCTIONS

Form Number 69357 Rev. B

03-10

APPLICATION

This holder will accommodate push poles up to 1-1/2" (3,8cm) in diameter.

Installation requires three Attwood Push Pole Holders – the two outside holders facing one direction, the middle holder facing the opposite direction.

NOTE: It is recommended that a boat builder, boat dealer, or a qualified marine mechanic perform the installation of the Attwood Pole Holder.

REQUIRED FOR INSTALLATION

- Cordless drill and bits
- Sabre saw
- Screwdriver
- Marine sealant
- Length of 3/8" (9,5mm) I.D. hose (for optional 1496-1 Drainage Receptacle)



WARNING:

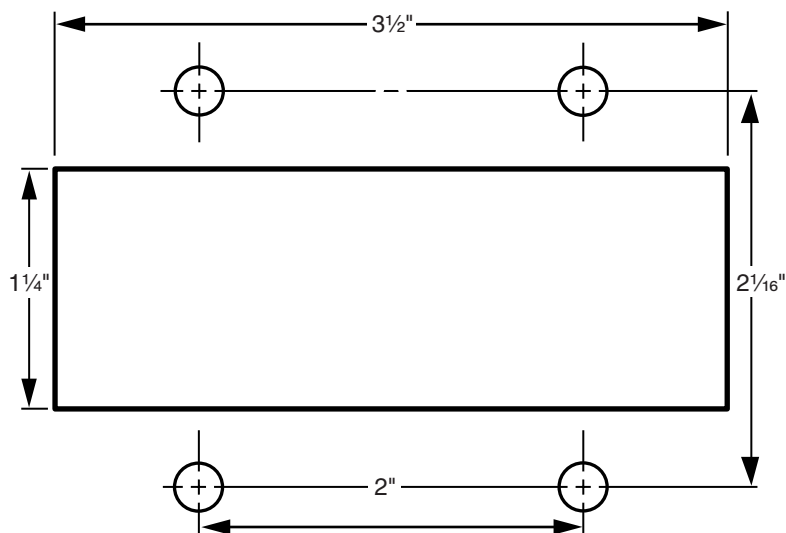
To prevent personal injury, always remove the boat from the water before using any 120V AC power tools.

LOCATION:

Select an installation location that meets the following criteria:

- Each cutout location must be large enough (see Figure 1) and deep enough to accommodate the retracted Pole Holder.
- Access to the underside of the mounting surface is necessary to fasten the optional Drainage Receptacle (1496-1).

Figure 1

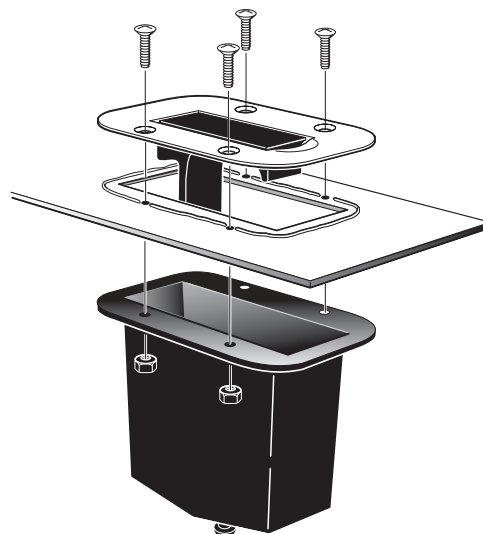


POLE HOLDER INSTALLATION INSTRUCTIONS

NOTE: Before you drill or cut a hole on your boat, BE ABSOLUTELY CERTAIN there is room for the unit to fold in beneath the deck or gunwale where it will be installed. The Pole Holder, in the down position, will be recessed beneath the deck or gunwale.

1. Use template provided to mark opening in deck (Figure 1).
2. Cut opening using sabre saw. Place a bead of marine sealant around opening (Figure 2).

Figure 2



3. If installing Pole Holder only: Place Pole Holder into cutout and fasten with four #8 flat head self-tapping stainless steel screws.
4. If installing with the optional Drainage Receptacle (1496-1): Use template provided and drill four 1/4" (6,4mm) holes where indicated. Place Pole Holder into cutout from above the deck. Hold Drainage Receptacle below deck and line up with holes of Pole Holder. Fasten together with four #8 stainless steel machine screws and nuts.
5. Connect 3/8" (9,5mm) I.D. hose to the fitting on the Drainage Receptacle, then route hose into bilge or to a drain fitting.

ATTWOOD LIMITED WARRANTY

ATTWOOD CORPORATION, 1016 North Monroe, Lowell, Michigan 49331 ("Attwood") warrants to the original consumer purchaser that Attwood brand products will be free from defects in materials and workmanship under normal use and service for one year from the date of original consumer purchases.

This limited warranty is not applicable if the product has been damaged by accident, improper installation, unreasonable or improper use, lack of proper maintenance, unauthorized repairs or modifications, normal wear and tear, or other causes not arising out of defects in materials or workmanship.

Attwood products are warranted for use on pleasure boats. Any other use — including but not limited to commercial, racing, or non-marine use — are not covered under this warranty. Attwood's obligation under this warranty is limited to repair of the product at Attwood's plant or replacement of the products at Attwood's option without expense to the original consumer purchaser. Any expenses involved in the removal, reinstallation or transportation of the product are not covered by this warranty.

The product must be returned to Attwood's plant at the address above, postage prepaid, and insured with proof of original purchase including date.

If Attwood is unable to replace the product and repair is not commercially practical or cannot be timely made, or if the original consumer purchaser is willing to accept a refund in lieu of repair or replacement, Attwood may refund the purchase price, less an amount for depreciation. The acceptance by Attwood of any product returned or any refund provided by Attwood shall not be deemed an admission that the product is defective or in violation of any warranty. Products that are replaced or for which a refund is issued become the property of Attwood.

THIS WARRANTY IS ATTWOOD'S ONLY EXPRESS WARRANTY OF THIS PRODUCT. NO IMPLIED WARRANTY SHALL EXTEND BEYOND ONE (1) YEAR FROM THE DATE OF ORIGINAL CONSUMER PURCHASE. ATTWOOD SHALL NOT BE LIABLE FOR ANY DAMAGES FOR LOSS OF USE OF THIS PRODUCT, NOR FOR ANY OTHER INCIDENTAL OR CONSEQUENTIAL DAMAGES, COSTS OR EXPENSES.

Some states do not allow limitations on how long an implied warranty lasts or the exclusion or limitation of incidental or consequential damages, so the above limitations and exclusions may not apply to you. This warranty gives you specific legal rights, and you may have other rights which vary from state to state.

© 2003 Attwood Corporation
1016 N. Monroe Street, Lowell, MI 49331-0260 www.attwoodmarine.com

Free Manuals Download Website

<http://myh66.com>

<http://usermanuals.us>

<http://www.somanuals.com>

<http://www.4manuals.cc>

<http://www.manual-lib.com>

<http://www.404manual.com>

<http://www.luxmanual.com>

<http://aubethermostatmanual.com>

Golf course search by state

<http://golfingnear.com>

Email search by domain

<http://emailbydomain.com>

Auto manuals search

<http://auto.somanuals.com>

TV manuals search

<http://tv.somanuals.com>