

# attwood®

## 2-Mile Transom Lights

Models 6356D and 66382

### Installation Instructions

Attwood marine hardware, navigational lighting, bilge pumps, and other marine accessories are specified more than any other brand by America's best-known boat manufacturers as original equipment. Look to Attwood for quality replacement parts and marine accessories.

#### SAVE THESE INSTRUCTIONS

Form Number 69396 Rev. B

03-10

#### ⚠ WARNING

Read all instructions carefully before installing and using this product. To prevent personal injury, disconnect the power source when installing or servicing this product. Always remove the boat from the water before using 120V AC power tools.

Use only the fuse amperage rating specified in these instructions.

#### FEATURES

These Attwood Transom Lights are for use on boats up to 65.6 ft. (20 meters). The 6356D Transom Light (Round) has a clear backing so it shines on both sides of a bulkhead - can be used to light an interior compartment.

6356D Transom Light meets USCG CFR 183.810, ABYC A-16 requirements, and all applicable standards as tested by Imanna Labs, 12/20/2002. 2 Nautical-Mile visibility. Lights use 7.5-watt lamp, #9232 (13-volt).

#### REQUIRED FOR INSTALLATION

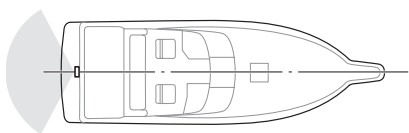
- Phillips screwdriver
- Cordless drill; 1/8" (3mm) bit and 1-7/8" (48mm) hole saw
- 16-gauge wire and waterproof crimp connectors
- Fuse holder (Attwood #14341) and 1-amp fuse

#### INSTALLATION LOCATION

Transom Lights must be mounted:

- On the transom, exterior cabin bulkhead or superstructure. (Figure 1)
- As far aft as possible.
- On a vertical surface where the light will be unobstructed.
- So that light shines directly astern and horizontally when the boat is floating.

Figure 1



#### INSTALLATION

1. To access light base mounting holes, remove the 2 mounting screws, bezel, and lens. Set these aside for reinstallation. (Figure 2)
2. Place flat side of base against a smooth vertical surface (see INSTALLATION LOCATION for proper position).

**Important:** Before drilling, be sure that light will shine straight astern and within 5° of horizontal **when boat is floating.**

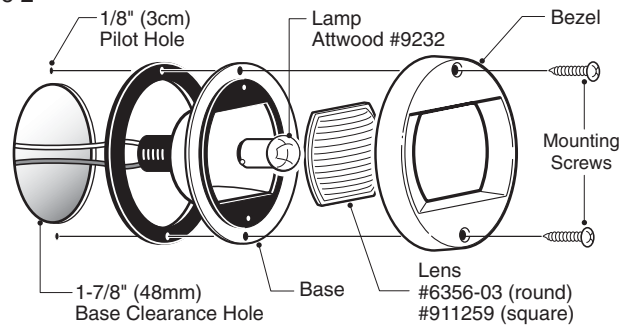
3. Use base as a template to mark location of two mounting holes and a center hole for wire access.

#### CAUTION

Position wire access hole carefully, especially on aluminum boats, so that wires do not contact the hull.

4. Drill 1-7/8" (48mm) diameter hole for base clearance and 1/8" (3mm) diameter holes for mounting screws. (Figure 2)

Figure 2

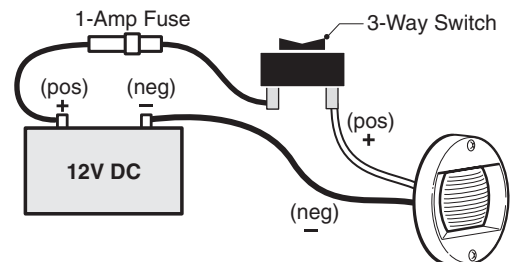


5. Bring one 16-gauge (+) and one (-) wire up through access hole. **DO NOT** connect these wires to power until you read **FINAL WIRING INSTRUCTIONS**. (Figure 3)
6. Connect wires using waterproof crimp connectors.
7. Place gasket and base over clearance hole. Replace lens and bezel. Fasten assembly with two supplied mounting screws. **DO NOT OVERTIGHTEN.**

#### FINAL WIRING INSTRUCTIONS

Connect to 12-Volt DC power source **ONLY**. All positive wires must be protected by a 1-amp fuse. Higher voltage or failure to make proper wire and fuse connections will void the product warranty. Use crimp type marine-grade connectors with suitable insulation.

Figure 3



1. Neatly thread wires to the switch, avoiding areas where abrasion or snagging may occur.
2. Use switch (Attwood #14386 or equivalent) that allows two-position ON/OFF/ON operation - one for running lights, and one for anchor lights. Attach wires with crimp-on butt joint connectors. Test lights for proper operation.

#### MAINTENANCE

To replace lamp or lens: Remove the bezel and lens (Figure 2). Lamp: 7.5 watt, 12-volt (Attwood #9232).

Lens: Attwood # 6356-03 (Round) or #911259 (Square).

Replace lens, helmet, and retaining screws.

#### ATTWOOD LIMITED WARRANTY

**This product carries the standard Attwood one-year warranty. See Product Catalog or [www.attwoodmarine.com](http://www.attwoodmarine.com) for details.**

## Free Manuals Download Website

<http://myh66.com>

<http://usermanuals.us>

<http://www.somanuals.com>

<http://www.4manuals.cc>

<http://www.manual-lib.com>

<http://www.404manual.com>

<http://www.luxmanual.com>

<http://aubethermostatmanual.com>

Golf course search by state

<http://golfingnear.com>

Email search by domain

<http://emailbydomain.com>

Auto manuals search

<http://auto.somanuals.com>

TV manuals search

<http://tv.somanuals.com>