

# How to Use Model 985DTO Distribution Amplifiers

The Model 985DTO adds optical digital audio output to the common coaxial digital audio outputs available on our other distribution amplifiers. Like other members of the 985 family, 985DTO modules can be cascaded to allow virtually an unlimited number of television monitors to be driven from a single source without picture degradation. The ultra wide bandwidth of this product supports video standards from today on into the future. The 985DTO can also be used for RGB video distribution in video production and duplication facilities.

Digital audio distribution complements the 985DTO's video capability by providing lossless transmission of digital audio signals in both optical and coaxial formats from the source to four audio control centers. Only one of the digital audio inputs is necessary to support both optical and coaxial output formats. Either digital audio input is automatically converted to both optical and coaxial digital audio output formats at each 985DTO amp.

When demonstrating audio equipment, such as HTIB (Home Theater In a Box), one 985DTO may support up to 12 systems (eight HTIB systems with digital audio and four additional systems with analog audio). To do this, connect the coaxial outputs to four HTIB systems, and

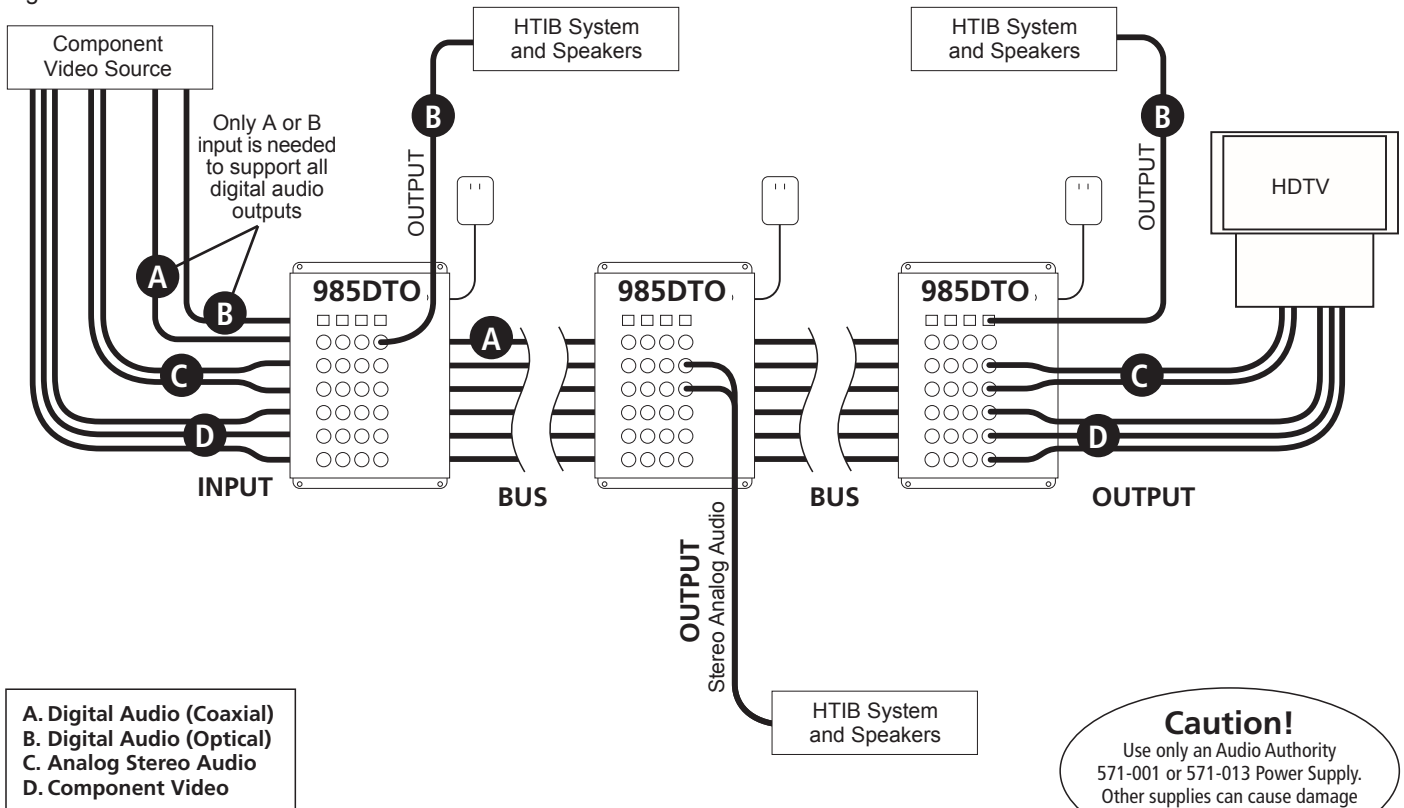
connect the optical outputs to four more HTIB systems. The stereo analog audio outputs may be used for HTIB systems that do not have a digital audio input (e.g. many "all in one" receiver/DVD combination units). As an alternative, analog outputs may be connected to TV analog audio inputs (see examples in Figure 1).

## Single Amplifier Installation – Four or Fewer Video Displays

Mount the 985DTO to a surface located near the video displays and/or audio equipment. Use matched sets of high-quality 75-ohm coaxial video cables to connect YCbCr or YPbPr outputs of a component video source to the Component Bus Input jacks of the 985DTO. (If composite video is desired instead of component video, see Figure 2.) Connect the digital audio output(s) of the source to the 985DTO Bus Input(s) using high-quality 75-ohm patch cords (and/or optical cable). Use standard RCA patch cords for analog audio.

Connect each video display to one set of 985DTO outputs using matched sets of video patch cords. You may connect the digital audio input of a sound system to either Digital Audio output jack on the 985DTO.

Figure 1.



Power the 985DTO from an Audio Authority 571-001 wall pack plugged into a source of 120 volts AC; picture and sound output appears immediately. No adjustments are required. You may also use a 571-013 power supply.

### Multi-Amplifier Installation-More than Four Video Displays

Mount the 985DTO modules near the video displays and audio source. Use matched sets of high-quality 75-ohm coaxial video cables to connect the YCbCr or YPbPr outputs of the video source to the Bus Input jacks of the nearest 985DTO. (If composite video is desired instead of component video, see Figure 2.) Connect the audio output of the source to the first 985DTO's Bus Input using high-quality 75-ohm patch cords and/or optical cable.

Connect the Bus Output jacks of the first 985DTO to the Bus Input jacks of the next 985DTO, and so on. The bus

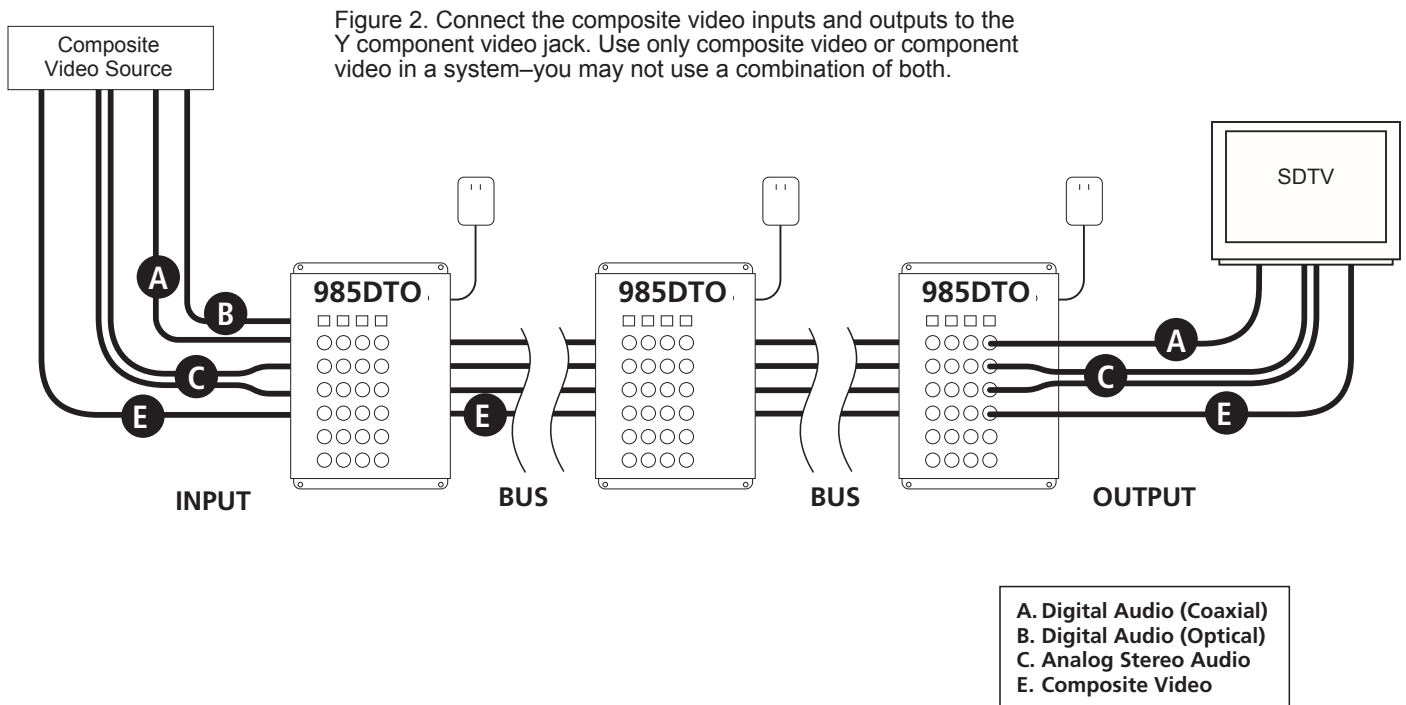
is automatically terminated correctly in 75 ohms at all times. There is no optical bus output, the Digital Audio Bus is always coaxial.

Connect each video display to one set of 985DTO outputs using matched sets of video patch cords. You may connect the digital audio input of a sound system to either Digital Audio output jack on the 985DTO, or if TV sound is desired, connect the 985DTO left/right stereo outputs to the stereo inputs on each TV.

Power the 985DTO system from an Audio Authority 571-001 wall pack plugged into a source of 120 volts AC; picture and sound output appears immediately. No adjustments are required. You may also use a 571-013 power supply.

### In Case of Difficulty

Call Audio Authority Technical Service at 800-322-8346 M - F, 8:30 AM - 5:00 PM, EST.



2048 Mercer Road, Lexington, Kentucky 40511-1071  
 Phone: 859-233-4599 • Fax: 859-233-4510  
 Customer Toll-Free USA & Canada: 800-322-8346  
 Website: <http://www.audioauthority.com>

752-481  
 9/06

## Free Manuals Download Website

<http://myh66.com>

<http://usermanuals.us>

<http://www.somanuals.com>

<http://www.4manuals.cc>

<http://www.manual-lib.com>

<http://www.404manual.com>

<http://www.luxmanual.com>

<http://aubethermostatmanual.com>

Golf course search by state

<http://golfingnear.com>

Email search by domain

<http://emailbydomain.com>

Auto manuals search

<http://auto.somanuals.com>

TV manuals search

<http://tv.somanuals.com>