

How to Use the Model 985DTV Digital Television Distribution Amplifier

The Model 985DTV adds to the capabilities of Audio Authority's well-received 985 series of products the ability to drive four component video displays from one source. Like other members of the 985 family, 985DTV modules can be cascaded to allow virtually an unlimited number of television monitors to be driven from a single source without picture degradation. The exceptional bandwidth of this product supports video standards from today on into the future. The 985DTV can also be used for RGB video distribution in video production and duplication facilities.

Digital audio distribution complements the 985DTV's video capability by providing lossless transmission of digital audio signals (Dolby Digital™, or DTS™) from the source to four audio control centers or television sound inputs. As a bonus, the 985DTV accepts an optical input to its digital audio path.

Single Amplifier Installation-Four or Fewer Video Displays

Mount the 985DTV to a surface located near the video displays and audio equipment. Use matched sets of high-quality 75-ohm coaxial video cables to connect the Y Cr Cb or Y Pr Pb outputs of the video source to the Bus Input jacks of the 985DTV. Connect the digital audio output of the source to the 985 Bus Input using either a high-quality 75-ohm patch cord or a Toslink™ optical cable.

In the RCA jack version of the 985DTV, the bus is automatically terminated correctly in 75 ohms at all times. In the BNC jack version, set the Termination switch ON in an installation with a single 985.

Connect each video display to one set of 985DTV outputs using matched sets of video patch cords. Connect the digital audio input of the sound system to a Digital Audio output jack on the 985DTV.

Power the 985DTV from an Audio Authority 805-021 wall pack plugged into a source of 120 volts AC; picture and sound output appears immediately. No adjustments are required. In the event of hum bars or other picture disturbance, adjust the Ground switch to minimize the symptom.

Multi-Amplifier Installation-More than Four Video Displays

Mount the 985DTVs near the video displays and audio equipment. Use matched sets of high-quality 75-ohm coaxial video cables to connect the Y Cr Cb or Y Pr Pb outputs of the video source to the Bus Input jacks of the nearest 985DTV. Connect the digital audio output of the source to the first 985's Bus Input using either a high-quality 75-ohm patch cord or a Toslink™ optical cord. **DO NOT use the optical inputs of subsequent 985 modules.**

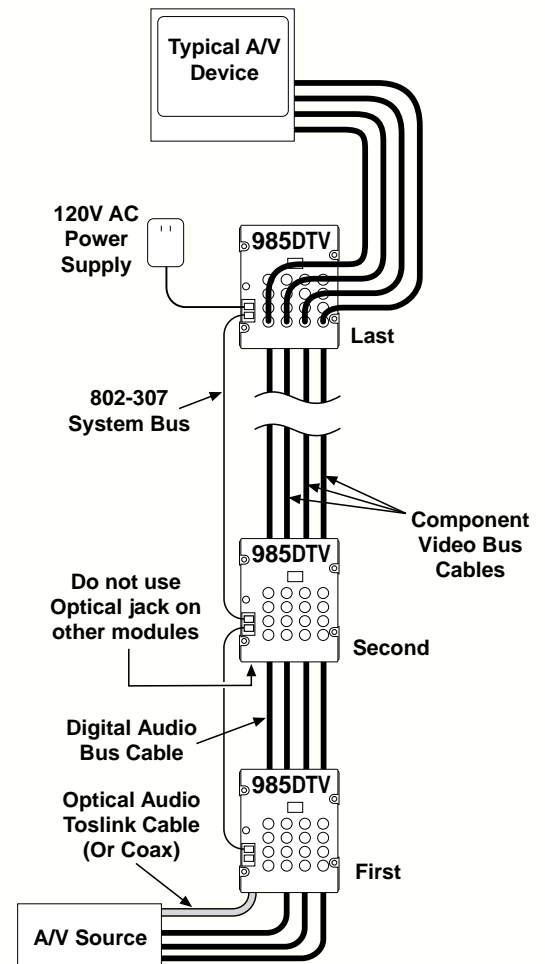
Connect the Bus Output jacks of the first 985DTV to the Bus Input jacks of the next 985DTV, and so on. In the RCA jack version of the 985DTV, the bus is automatically terminated correctly in 75 ohms at all times. In the BNC jack version, set the Termination switch OFF in all but the last 985 in a string of 985s and ON in the last 985.

Connect each video display to one set of 985DTV outputs using matched sets of video patch cords. Connect the digital audio input of the sound system to a Digital Audio output jack on the 985DTV.

Power the 985DTV system from an Audio Authority 805-021 wall pack plugged into a source of 120 volts AC; picture and sound output appears immediately. No adjustments are required. In the event of hum bars or other picture disturbance, adjust the Ground switches to minimize the symptom. Use 805-016 power supply plus the 802-314 cable to power systems of 3 to 8 985DTV modules, and connect the modules together with 802-307 System Bus cable.

In Case of Difficulty

Call Audio Authority Technical Service at 800-322-8346 for assistance.



2048 Mercer Road, Lexington, Kentucky 40511-1071
Phone: 859-233-4599 • Fax: 859-233-4510
Customer Toll-Free USA & Canada: 800-322-8346
Website: <http://www.audioauthority.com>

Caution!
Use only an Audio Authority®
805-021 or 805-016 Power Supply.
Other supplies can cause damage or
reduce performance.

Free Manuals Download Website

<http://myh66.com>

<http://usermanuals.us>

<http://www.somanuals.com>

<http://www.4manuals.cc>

<http://www.manual-lib.com>

<http://www.404manual.com>

<http://www.luxmanual.com>

<http://aubethermostatmanual.com>

Golf course search by state

<http://golfingnear.com>

Email search by domain

<http://emailbydomain.com>

Auto manuals search

<http://auto.somanuals.com>

TV manuals search

<http://tv.somanuals.com>