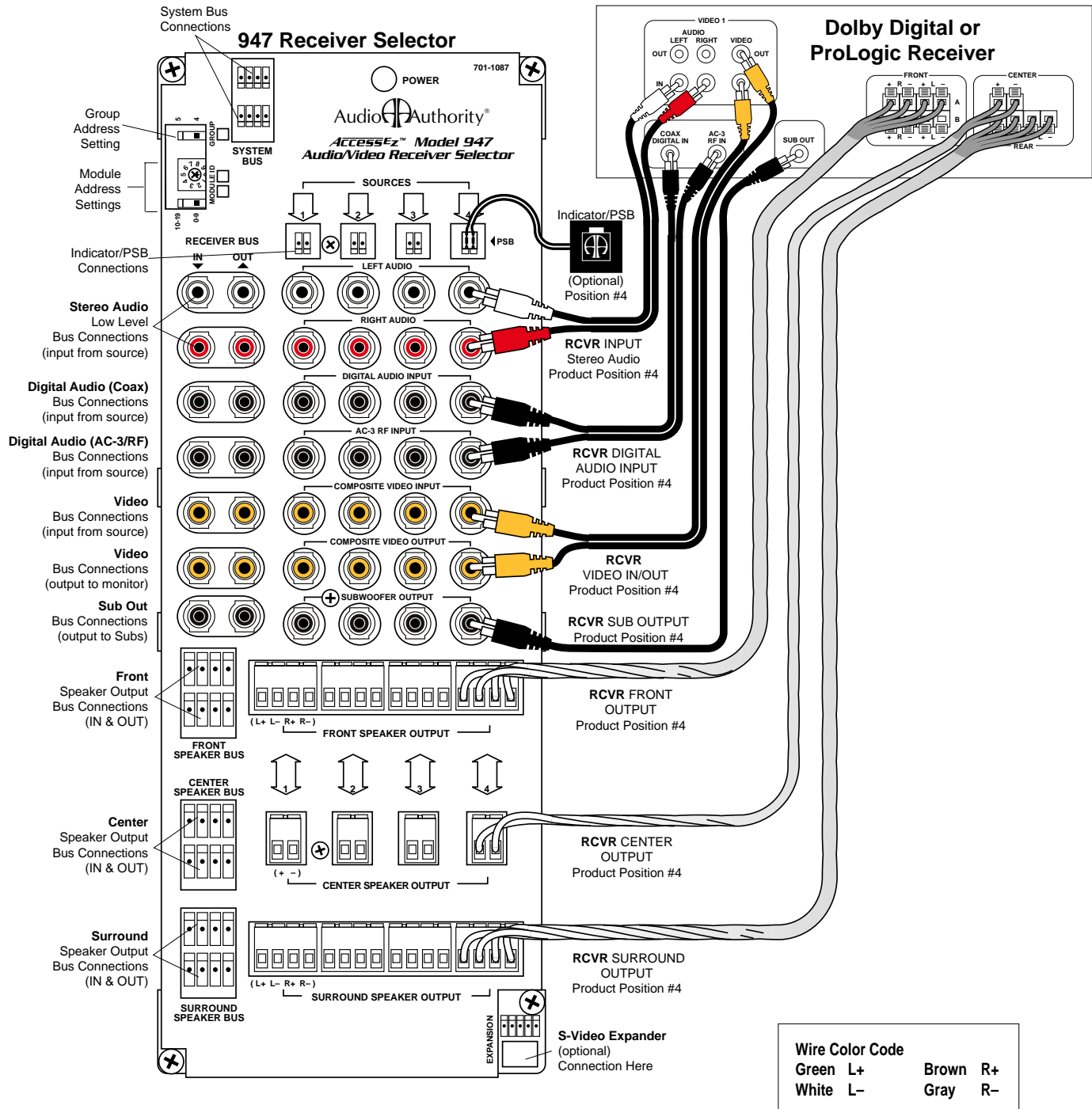


## 5.1 Channel Surround or ProLogic Receiver

This diagram shows connections to receivers with video on-screen programmability, digital audio inputs, and a low-level sub out jack. If a receiver does not have some of the features shown, simply leave those jacks or terminals vacant on the 947. Always connect the A/V cables to the VCR 1 or Video 1 jacks on the receiver. To prevent a blank screen when switching from a GUI receiver to a non-GUI receiver, you should install a 986 Video AutoPatcher in your system. There is no optical digital connection on the 947 – use the coax input on digital audio receivers, or use Model 977T Coax to Optical Adapter. Instructions for other types of surround sound configurations are available if needed. Contact your Audio Authority® at the phone number below.



Audio Authority® Tech Support USA and Canada: **800-322-8346** (Mon-Fri 8:30 AM to 5:00 PM Eastern Time)  
Phone: 859-233-4599 Fax: 859-233-4510 Hookup drawings and FAQ <http://www.audioauthority.com>

## Free Manuals Download Website

<http://myh66.com>

<http://usermanuals.us>

<http://www.somanuals.com>

<http://www.4manuals.cc>

<http://www.manual-lib.com>

<http://www.404manual.com>

<http://www.luxmanual.com>

<http://aubethermostatmanual.com>

Golf course search by state

<http://golfingnear.com>

Email search by domain

<http://emailbydomain.com>

Auto manuals search

<http://auto.somanuals.com>

TV manuals search

<http://tv.somanuals.com>