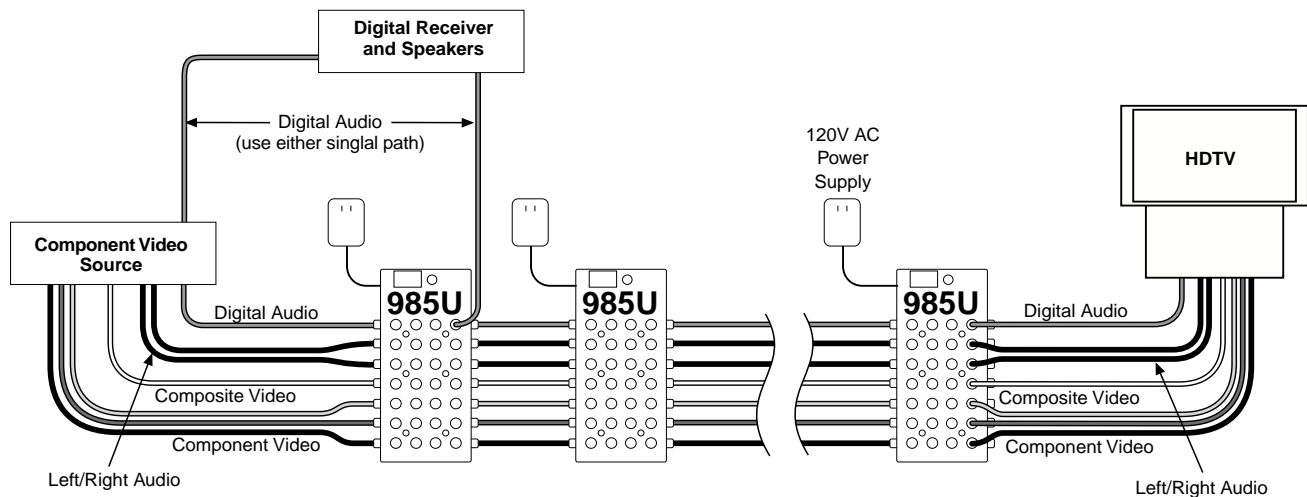


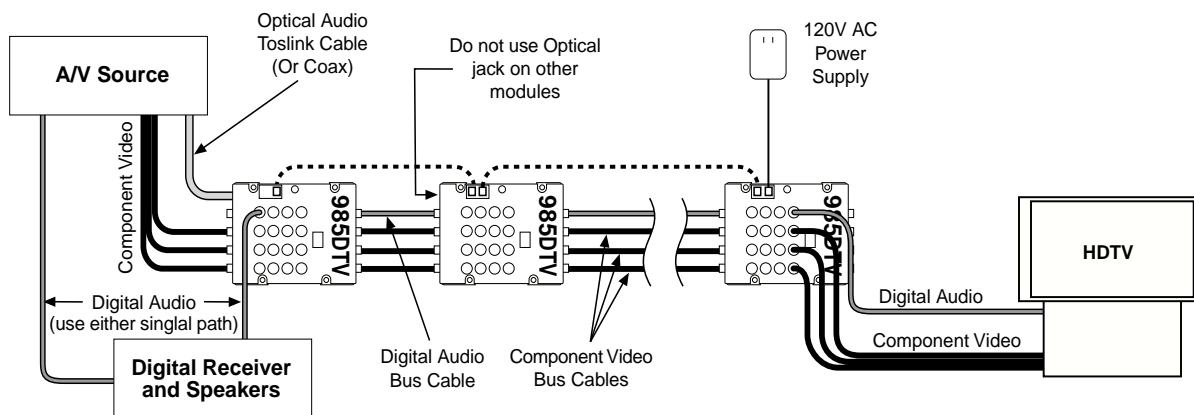
Sample Multi-Mode Signal Distribution System

- One Source unit drives all types of input on the 985U.
- Both Composite and Component Video can be connected to the TV monitors.
- Audio can be connected to the TV monitors, and/or drive a dedicated receiver and speaker package. In multi-room applications, several receiver/speaker packages may be desirable.



Sample Component (Y Pb Pr) Video and Digital Audio Distribution System

- Model 985DTV A/V Distribution Amplifier
- Dedicated Source with either optical or coaxial digital audio output. (To use a VGA Source, convert VGA to component video using Model 9A60 Converter.)
- 12 HDTV sets with or without digital audio input jacks.
- Audio can be connected to the TV monitors, and/or drive a dedicated receiver and speaker package. In multi-room applications, several receiver/speaker packages may be desirable.



Free Manuals Download Website

<http://myh66.com>

<http://usermanuals.us>

<http://www.somanuals.com>

<http://www.4manuals.cc>

<http://www.manual-lib.com>

<http://www.404manual.com>

<http://www.luxmanual.com>

<http://aubethermostatmanual.com>

Golf course search by state

<http://golfingnear.com>

Email search by domain

<http://emailbydomain.com>

Auto manuals search

<http://auto.somanuals.com>

TV manuals search

<http://tv.somanuals.com>