

NOTES:

1. MAINTAIN POLARITY IN WIRE CONNECTIONS (+ TO + / - TO -)

2. USE UL RATED, CL3 SPEAKER WIRE *

* AudioSource Part Number: S1650W
16 GA White 50' Spool

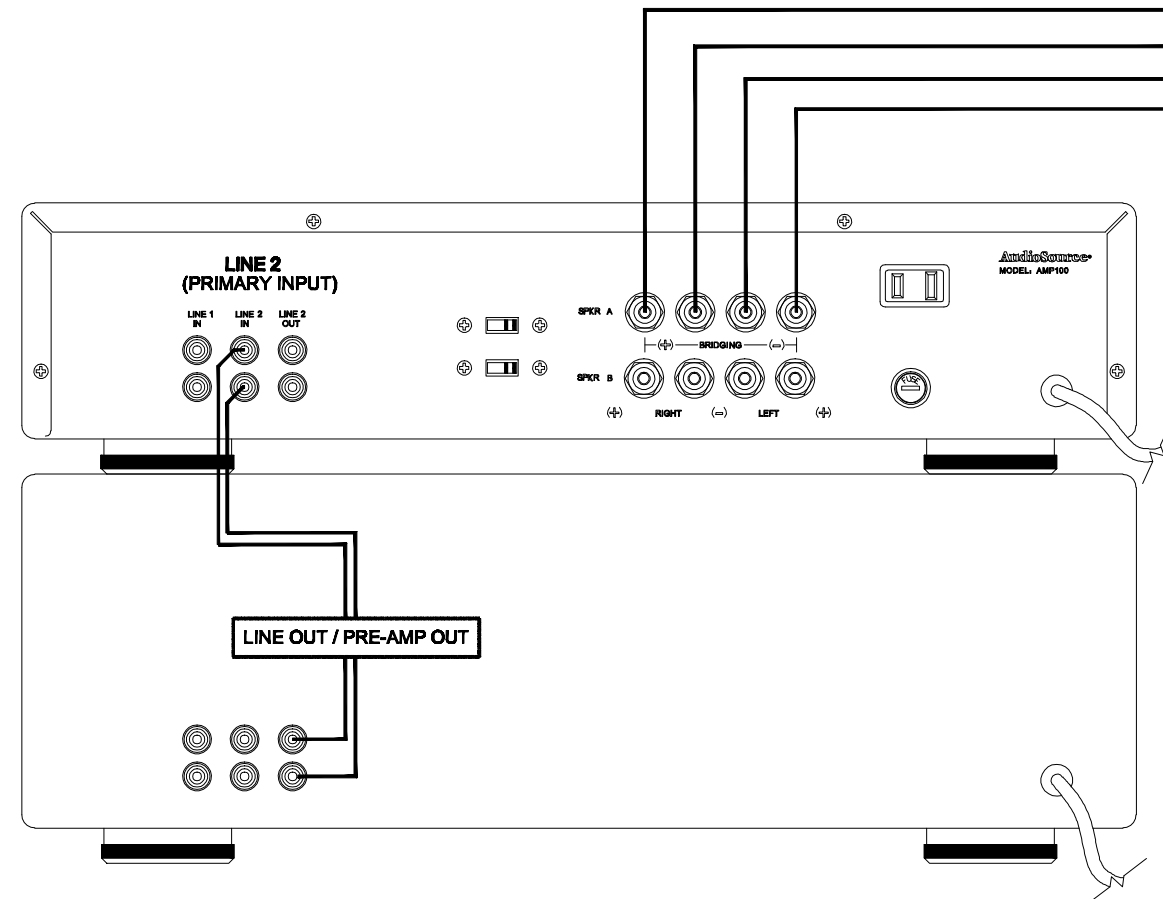
**ZONES 1-8
DUAL MONO
SPEAKER
APPLICATIONS:**

KITCHEN
BATHROOM 1
BATHROOM 2
HALLWAY
ENTRY WAY
MASTER CLOSET
LAUNDRY ROOM
PANTRY

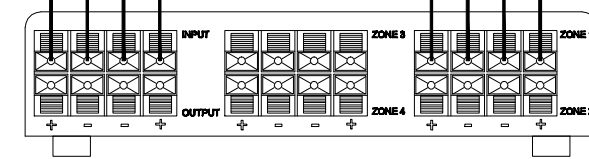
SPEAKERS
A67C
AC6DM
AC8DM

AMPLIFIER
AMP 100
AMP 102
AMP 110
AMP 210
AMP 310

**SOURCE
RECEIVER**
CD
DVD
TV



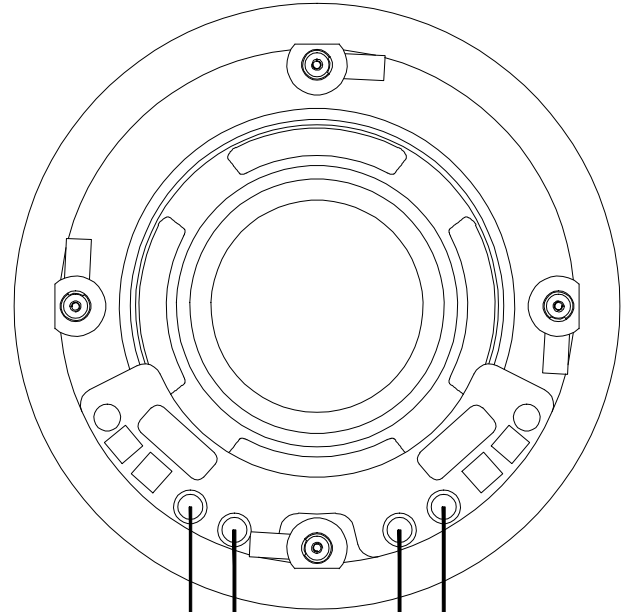
INPUT TO SPEAKER SELECTOR



ZONE 1 THROUGH 8
OUTPUT TO VOLUME CONTROLS

VOLUME CONTROL
VMT-100
AE100VC

SPEAKER SELECTOR 4-8 ZONE
AE6SW
ISM4 / ISM6 / ISM8
DSSM4 / DSSM6 / DSSM8



AudioSource
Connecting Your Zones
Dual Mono (DM) Speakers

Free Manuals Download Website

<http://myh66.com>

<http://usermanuals.us>

<http://www.somanuals.com>

<http://www.4manuals.cc>

<http://www.manual-lib.com>

<http://www.404manual.com>

<http://www.luxmanual.com>

<http://aubethermostatmanual.com>

Golf course search by state

<http://golfingnear.com>

Email search by domain

<http://emailbydomain.com>

Auto manuals search

<http://auto.somanuals.com>

TV manuals search

<http://tv.somanuals.com>