



## FEATURES:

- Line 1 / Line 2 priority input switching*
- Line 2 auxiliary output*
- High level input*
- Front panel volume control*
- Front panel 40Hz-500Hz variable crossover control*
- Front panel 5Hz-50Hz subsonic filter control*
- Front panel diagnostic LEDs*
- Signal sensing "Power On"*
- 12VDC "Trigger On"*
- Triple-Darlington Power Amplifier Stages*
- Dual-differential error amplifiers*
- Output Limiter switch*
- Rack-mount ready*

## AMPSUB210

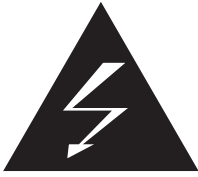
Home Audio Subwoofer Power Amplifier

*Congratulations on your purchase of the AudioSource® AMPSUB210. Please take a few moments to read this entire manual, and be sure to retain this document for future reference. Please read and observe all safety instructions detailed on page 2.*

*NOTE: if any part of this product is damaged or missing, please call your dealer or AudioSource® directly at 1.800.435.7115 or 503.286.9300.*

*Please read your warranty and retain your receipt and original carton for possible future use.*

*For more information about AudioSource® electronics, speakers and accessories please visit [www.audiosource.net](http://www.audiosource.net)*



## CAUTION

RISK OF ELECTRICAL SHOCK  
DO NOT OPEN



CAUTION: TO REDUCE THE RISK OF ELECTRIC SHOCK, DO NOT REMOVE THE COVER. NO USER SERVICABLE PARTS INSIDE. REFER SERVICING TO QUALIFIED PERSONNEL!

### EXPLANATION OF SAFETY SYMBOLS



The exclamation point within an equilateral triangle is intended to alert the user of the presence of important operating and maintenance (servicing) instructions in the literature accompanying the appliance.



The lightning flash with the arrowhead symbol within an equilateral triangle is intended to alert the user to the presence of uninsulated "dangerous voltage" within the products' enclosure that may be of sufficient magnitude to constitute a risk of electric shock to persons.

## IMPORTANT SAFETY INSTRUCTIONS

1. Read these instructions.
  2. Keep these instructions.
  3. Heed all warnings.
  4. Follow all instructions.
  5. Do not use this apparatus near water.
  6. Clean only with dry cloth.
  7. Do not block any ventilation openings. Install in accordance with the manufacturer's instructions.
  8. Do not install near heat sources such as radiators, heat registers, stoves, or other apparatus (including amplifiers) that produce heat.
  9. Do not defeat the safety purpose of the polarized or grounding type plug. A polarized plug has two blades with one wider than the other. A grounding type plug has two blades and a third grounding prong. The wide blade or third prong are provided for your safety. If the provided plug does not fit into your outlet, consult an electrician for replacement of the obsolete outlet.
  10. Protect the power cord from being walked on or pinched particularly at the plugs, convenience receptacles, and at the point where they exit from the appliance.
  11. Only use attachments or accessories specified by the manufacturer.
  12. Unplug the apparatus during lightning storms or when unused for long periods of time.
  13. Refer all servicing to qualified personnel. Servicing is required when the apparatus has been damaged in any way, such as power supply cord or plug is damaged, liquid has been spilled or objects have fallen into the apparatus, the apparatus has been exposed to rain or moisture, does not operate normally, or has been dropped.
- TO PREVENT FIRE OR SHOCK HAZARD, DO NOT USE THIS PLUG WITH AN EXTENSION CORD, RECEPTACLE OR OTHER OUTLET UNLESS THE BLADES CAN BE FULLY INSERTED TO PREVENT BLADE EXPOSURE.
  - TO PREVENT FIRE OR SHOCK HAZARD, DO NOT EXPOSE THIS APPLIANCE TO RAIN OR MOISTURE
  - TO PREVENT ELECTRICAL SHOCK, MATCH WIDE BLADE PLUG TO WIDE SLOT, FULLY INSERT.

**MAGNETIC FIELD: !!CAUTION!!** Do not locate sensitive high-gain equipment such as preamplifiers or tape decks directly above or below the unit. Because this amplifier has a high power density, it has a strong magnetic field, which can induce hum into unshielded devices that are located nearby. The field is strongest just above and below the unit. If an equipment rack is used, we recommend locating the amplifier(s) in the bottom of the rack and the preamplifier or other sensitive equipment at the top.

## Technical Support

If any part of this product is damaged or missing, please call your dealer or AudioSource® directly at toll free 1.800.435.7115 or locally 503.286.9300.

## Limited Warranty

AudioSource® warrants its amplifier products against defects in materials and workmanship for a limited period of time. For a period of two years from date of original purchase, we will repair or replace the product, at our option, without charge for parts and labor. Customer must pay all parts and labor charges after the limited warranty period expires. The limited warranty period for factory refurbished products expires after ninety (90) days from date of original purchase.

This limited warranty applies only to purchases from authorized AudioSource® electronics retailers. This limited warranty is extended only to the original purchaser and is valid only to consumers in the United States.

Consumers are required to provide a copy of the original sales invoice from an authorized AudioSource® dealer when making a claim against this limited warranty. This limited warranty only covers failures due to defects in materials or workmanship that occur during normal use. It does not cover failures resulting from accident, misuse, abuse, neglect, mishandling, misapplication, alteration, faulty installation, modification, service by anyone other than AudioSource®, or damage that is attributable to Acts of God. It does not cover costs of transportation to AudioSource® or damage in transit. The customer should return his defective product, freight prepaid and insured, to AudioSource® only after receiving a Return Authorization.

This warranty will become void if the serial number identification has been wholly or partially removed, altered or erased. Repair or replacement under the terms of this warranty does not extend the terms of this warranty. Should a product prove to be defective in workmanship or material, the consumer's sole remedies will be repair or replacement as provided under the terms of this warranty. Under no circumstances shall AudioSource® be liable for loss or damage, direct, consequential or incidental, arising out of the use of or inability to use the product. There are no express warranties other than described above.

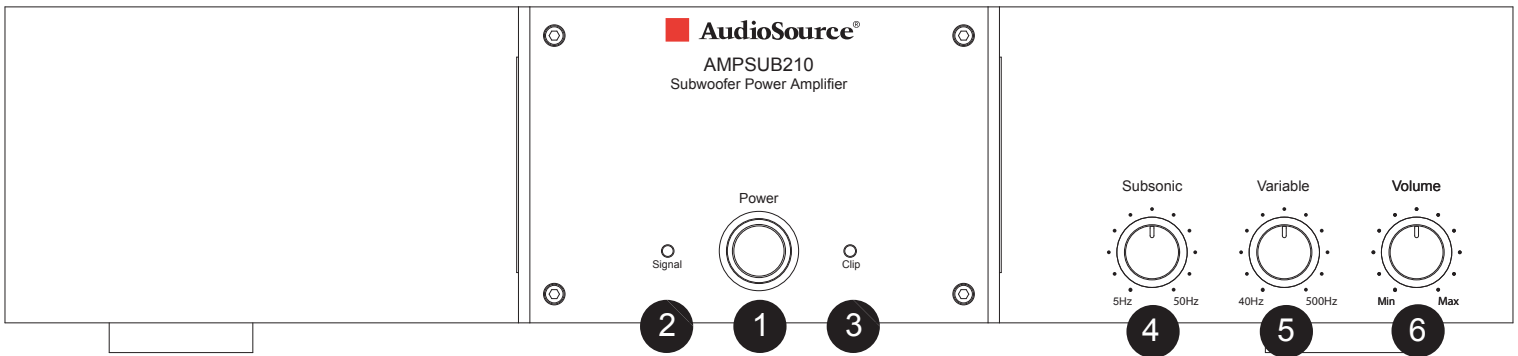


Figure 1. Front Panel

## FRONT PANEL CONTROLS

1. **Power**  
The front panel power switch switches the AMPSUB210 on or off. Red LEDs behind the faceplate indicate power status. Whenever the amplifier's power switch is in the "ON" position the ring around the button is illuminated.
2. **Signal LED**  
When the amp is "Active" (receiving signal) the side lenses become illuminated and the signal LED shows green. During "Standby" status (no signal) the side lenses are not illuminated and the signal LED shows orange.
3. **Clip LED**  
Blinks red during signal clipping or protect. For clipping: reduce volume slightly. For protect: check speaker wires for shorts or extreme low impedance (< 4 ohms).
4. **Subsonic Filter**  
Set between 5Hz and 50Hz to filter out unwanted lower frequencies.
5. **Variable Crossover**  
Sets crossover frequency between 40Hz and 500Hz.
6. **Volume Control**  
Adjusts amplifier volume.

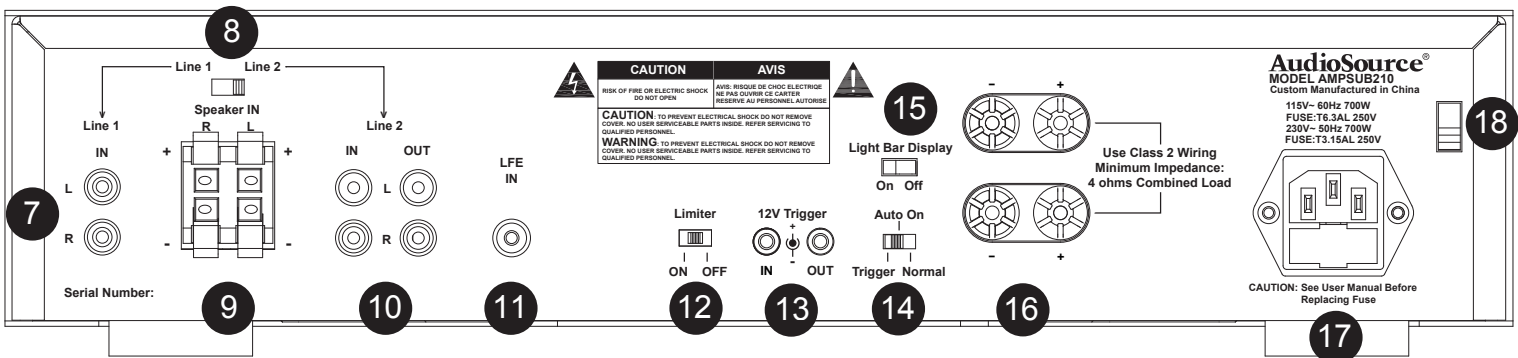


Figure 2. Rear Panel

## REAR PANEL CONTROLS

7. **Line 1 Input**  
A switching input that can be used if a second source is desired and will take over when a signal is present and has at least a 5mV level. Whenever there is no signal at this input, or a signal with less than 5mV level, the amplifier switches back to the Line 2 or "primary" input.
8. **Speaker Level Input Line Select**  
Switches the input of the speaker level input to Line 1 or Line 2.
9. **Speaker Level Input**  
Can be used to connect a source with speaker level output instead of line level outputs. Use the Speaker Level Input Line Select to route the source to Line 1 or Line 2.
10. **Line 2 Input/Output**  
The primary line level input and output for a single source connection.
11. **LFE Input**  
Optional connection to LFE output from your receiver. Bypasses amplifier volume control, use receiver to set levels. Also set Variable Crossover (5) to full clockwise position (500Hz) and Subsonic Filter (4) slightly lower than your woofer's F3 point, or between 9 and 12 o'clock if woofer specs unavailable. See block diagram (figure 5) on page 5.
12. **Soft Limiter Switch**  
When "ON" reduces extreme signal peaks which may damage your speakers and cause audible distortion.
13. **12V Trigger**  
Allows the AMPSUB210 to be powered on by other electronics or to power on other electronics via a 3.5mm mini phone plug cable.
14. **Power Mode**  
Sets the power on option of the AMPSUB210. Set it to Normal for manual power on/off. Set to Auto-On for signal sensing. Set to Trigger if the 12V Trigger input is used.
15. **Light Bar Display Control**  
Turns light bar display on front panel on or off. Does not control Signal/Clip LEDs or power button light ring.
16. **Speaker Output**  
Dual internally bridged speaker output terminals. If connecting two speakers they must be minimum 8 ohms each. DO NOT BRIDGE.
17. **Mains Power Inlet & Fuse Holder**  
Accepts IEC type line cord. A fuse in the integrated holder provides safety protection from fault conditions: replace fuse with one of same type and rating only.
18. **Mains Voltage Selector**  
Voltage selection switch is preset to 115V (USA). For use in areas which require 230V contact your dealer. Fuse must be of type and rating marked on amplifier for use at local mains voltage.

## FRONT PANEL CONTROLS

The front panel power switch switches the AMPSUB210 on or off. Red LEDs behind the power button lens indicate power status. Whenever the amplifier's power switch is in the "ON" position and the amplifier is in "Active" status the Signal LED is illuminated green. If the amplifier is "ON" but in "Standby" status the Signal LED will illuminate orange.

## REAR PANEL CONTROLS

The AMPSUB210 can be turned on and off independently via the power switch on the front panel, by signal sensing, or remotely by a triggered DC input. Switch 14, located on the lower edge of the rear panel of the amplifier, selects turn-on functions of the AMPSUB210. If you would like to control the unit's power on / power off status manually from the front, place the switch in the "Normal" position. If you would like to control the unit's power-on / power-off status by means of signal sensing, place the switch in the "AUTO ON" position. If you would like to control the unit's power-on / power-off status by a DC remote trigger, place the switch in the "TRIGGER" position, and connect the remote triggering cable from your triggering device to the jack labeled "IN" next to the switch. When using 12V Trigger or Auto On mode, the unit's power button will be pushed in and the status LEDs will be illuminated orange in standby condition.

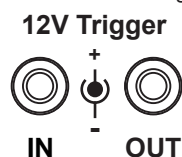


Figure 3. 12V Trigger

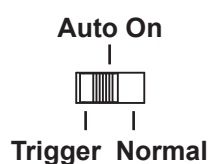


Figure 4. Power Mode

Use a 3.5mm phone plug (in the "IN" connector) to make this connection: the tip of the connector is (+) positive, and the sleeve of the connector is (-) negative. A second jack in the same block is labeled "OUT". This allows for remote turn-on of other devices when the AMPSUB210 is powered on. Use the same polarity for the terminals of this plug. Please read the owner's manual for any devices you are attempting to connect in this manner to ensure compatibility.

Note: The front panel power switch must be in the "ON" position for the 12V triggers or "Auto ON" features to operate.

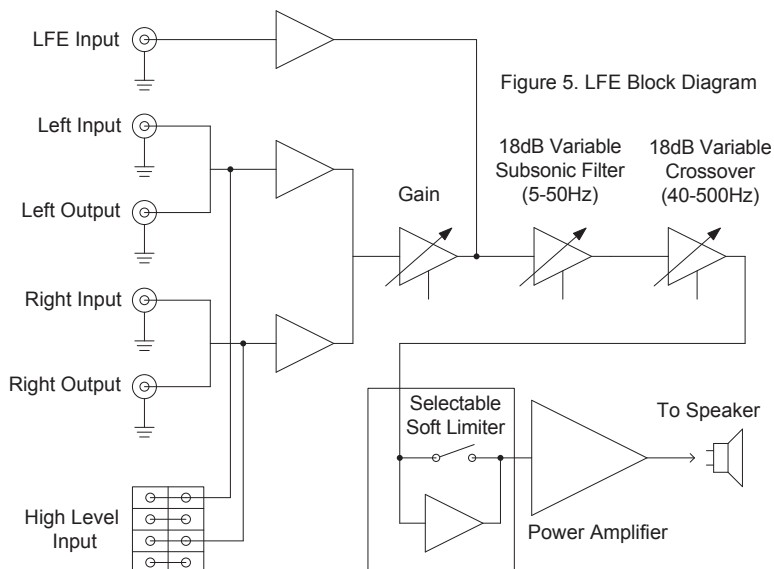


Figure 5. LFE Block Diagram

## 7 & 10 RCA INPUT/OUTPUT

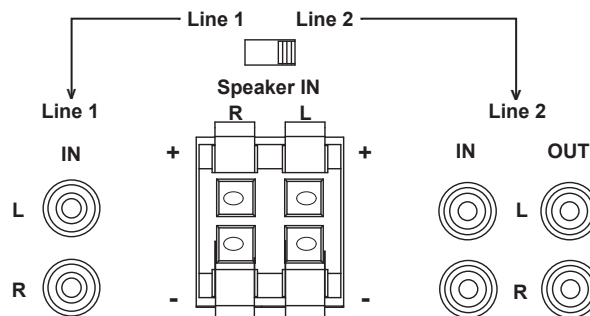


Figure 6. RCA Inputs

There are 2 pairs of RCA inputs on the back panel of the AMPSUB210. These RCA inputs are labeled as "Line 1 IN" and "Line 2 IN". They are also designated with an "R" or an "L" as Right channel or Left channel inputs respectively.

"Line 2 IN" should be used as the "primary" or normal input for various line level sources that may be available to the amplifier. "Line 1 IN" is a switching input that should be used when a second local source is connected, and will take over as the selected input whenever a signal with a minimum of 5mV of level is present. Whenever there is no signal at the "Line 1 IN" RCAs, or a signal with less than 5mV level, after a 4 second delay, the input will revert back to the normal Line 2 input signal.

The built in delay of 4 seconds will automatically, in most instances, accommodate the nature of the source connected to the "Line 1 IN" RCAs. As an example, if the "Line 1 IN" source was a CD Changer, the delay should be enough to prevent switching back to the "Line 2 IN" source while the changer moves from one disc to another.

## 9 SPEAKER LEVEL INPUT

The AMPSUB210 provides a pair of speaker level inputs for those applications where either of the sources has only speaker level output signal available. The switch routes the speaker level signal to either the Line 1 or Line 2 input.

**15** LIGHT BAR DISPLAY

**Light Bar Display**



Figure 7. Light Bar Display Control

This switch controls the lighted bars on the front of the amplifier. These bars light red when the amplifier is in operation. If the amplifier is visible and a low light setting is desired use this switch to turn off the light bars. The other LED indicators on the front panel as well as the power button lighted ring are not affected by this control.

**16** SPEAKER TERMINALS

Terminals are provided for two subwoofers. Connect the speaker's positive (red) terminal to the amplifier's positive (red) terminal, and the speaker's negative (black) terminal to the amplifier's negative (black) terminal.

NOTE: Use the appropriate gauge speaker wire when connecting speakers to the AMPSUB210.

If using two speakers they must be a minimum of 8 ohms each. DO NOT BRIDGE. The speaker terminals are internally bridged.

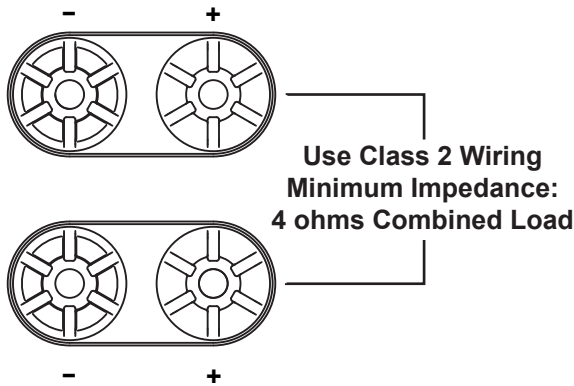


Figure 8. Speaker Terminals

**17 & 18** MAINS POWER INLET/FUSE/VOLTAGE SELECTOR

Power inlet accepts the IEC type line cord supplied with the amplifier. A fuse in the integrated holder provides safety protection from fault conditions: replace fuse with one of same type and rating only.

This amplifier is configured for operation at 115V ~60Hz. (North America)

The AMPSUB210 can be configured for operation from either 115V ~60Hz or 230V ~50Hz AC mains. Installed mains fuse must be of type and rating marked on amplifier corresponding to configured AC mains voltage.

Should you wish to configure the AMPSUB210 for use 230V ~50Hz please contact your dealer or distributor.

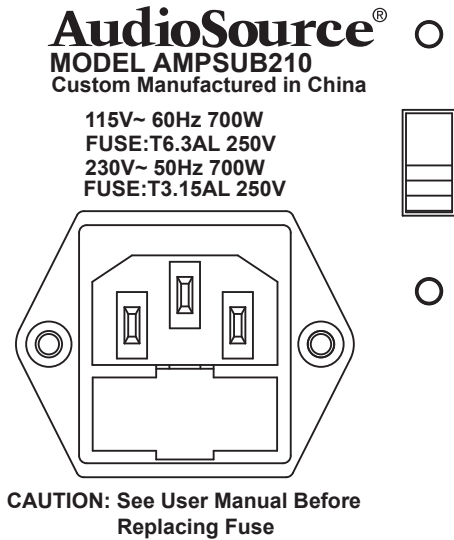


Figure 9. Mains Power Inlet/Fuse/Voltage Selector

## APPLICATIONS

### SINGLE SOURCE SETUP

In this configuration the amplifier plays a single source such as home theater or home stereo. Connect the line out jacks from a stereo preamplifier or receiver to the Line 2 input jacks of your AMPSUB210. (Figure 10) Next connect your speakers to the terminals observing proper polarity (see "Speaker Terminals" Page 6).

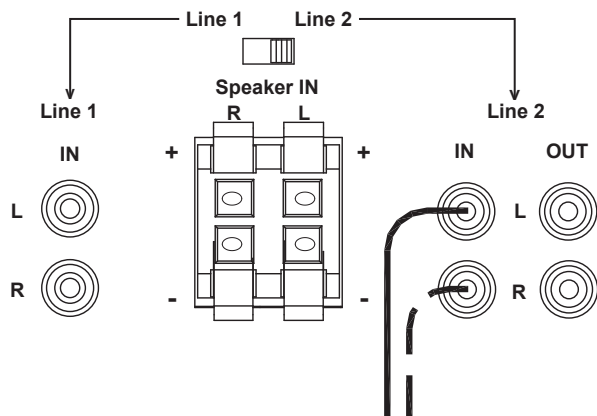


Figure 10. Single Source Setup (From Pre-amp Line Out)

### SETUP FOR MULTIPLE SOURCE

In the application shown in Figure 11, a distributed audio system is connected to the AMPSUB210 as a local zone amplifier via the Line 2 inputs. Normally the distributed audio system will be the audio source for the AMPSUB210. The distributed audio is then passed on to be used by additional zones or sub zones in the distributed system via the Line 2 outputs.

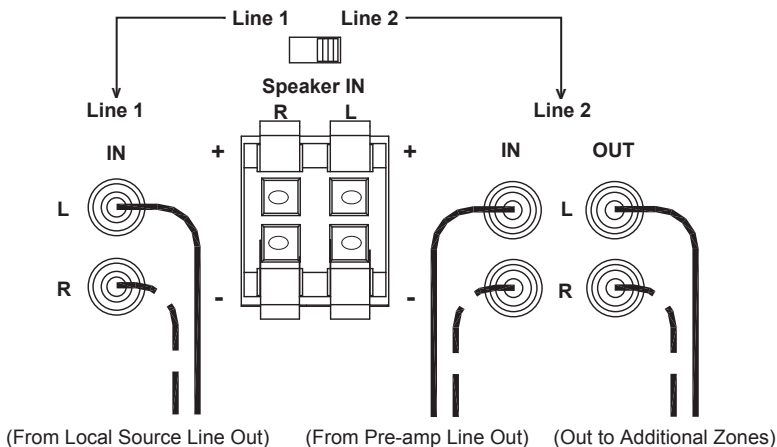


Figure 11. Line Level with Multiple Sources

The audio output of a local source, such as an MP3 Player, CD, television, computer, etc., is connected to the AMPSUB210 via the Line 1 inputs, and whenever the local source is active its signal will take priority over the distributed audio signal present at Line 2. However, the distributed audio signal will still be present at the Line 2 input. In this circumstance the audio output of the local source will be heard via the AMPSUB210. Once the local source is turned off or muted, the AMPSUB210 will automatically switch back the distributed audio system as an audio source, assuming the local source remains inactive. The delay time of 4 seconds determines when switch back to the normal source will occur. This set up assumes all incoming signals are at line level and not at speaker level.

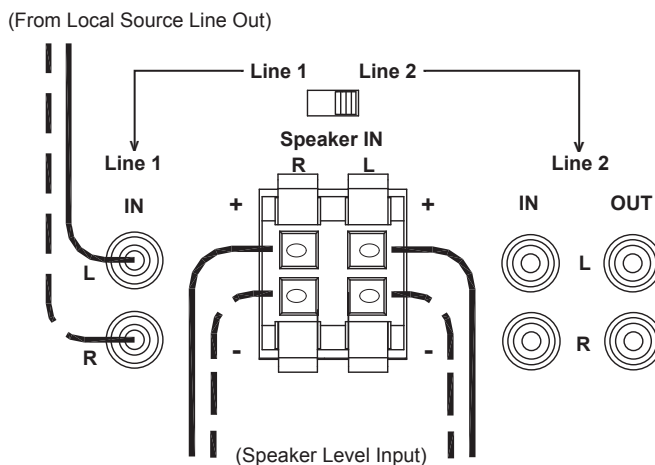


Figure 12. Speaker Level with Multiple Sources

If the whole house distributed audio is only available as a speaker level signal you can connect it to the "Speaker In" connections and set the routing switch to the "Line 2" position, the right hand position of the switch (Figure 12). The AMP SUB210 will no longer be able to pass the Whole House Distributed Audio to another zone via the Line 2 Output. If you have any questions regarding how to set this up, please call AudioSource® Tech support at 1.800.435.7115

### SETUP FOR LFE INPUT

Some home theater receivers have LFE Output. This bypasses the amplifier volume control, so use the receiver to set levels. Also set Variable Crossover 5 to full clockwise position (500Hz) and Subsonic Filter 4 slightly lower than your woofer's F3 point, or between 9 and 12 o'clock if woofer specification is unavailable. See block diagram (figure 5) on page 5.

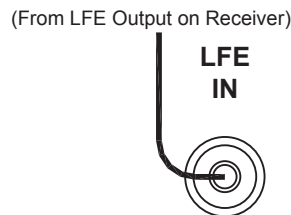


Figure 13. Optional LFE Input



# AMPSUB210

Amplificateur de puissance audio à caisson d'extrêmes graves pour la maison

## CARACTÉRISTIQUES:

Commutation de priorité d'entrée Ligne 1 / Ligne 2  
Sortie auxiliaire Ligne 2  
Niveau élevé à l'entrée  
Le volume de panneau de devant contrôlé  
Contrôle de croisement variable 40Hz-500Hz panneau avant  
Contrôle de filtre subsonique 5Hz-50Hz  
DEL de diagnostic du panneau avant  
"Mise sous tension (Power On)" sensible au signal  
"Déclencheur allumé (Trigger on)" 12 VDC  
Étages Triple-Darlington de l'amplificateur de puissance  
Amplificateurs à double-différentiel d'erreur  
Interrupteur limitant à la sortie  
Bâtis prêt

Nous vous félicitons pour avoir acheté l'AudioSource® AMPSUB210.

Veillez prendre quelques instants afin de lire ce manuel dans son entier, et veillez à conserver ce document pour une consultation ultérieure. Lisez et respectez toutes les instructions de sécurité détaillées à la page 8.

NOTE: si tout ou partie de produit était endommagé ou manquant, veuillez contacter votre concessionnaire ou AudioSource® directement au 1.800.435.7115 ou au 503.286.9300.

Lisez les clauses de votre garantie et conservez votre reçu ainsi que la boîte en carton originale en vue d'une utilisation future éventuelle. Pour obtenir davantage de renseignements au sujet des appareils électroniques AudioSource®, haut-parleurs et accessoires, veuillez vous rendre à [www.audiosource.net](http://www.audiosource.net)

## INSTRUCTIONS IMPORTANTES EN MATIÈRE DE SÉCURITÉ

1. Lisez ces instructions.
2. Conservez ces instructions.
3. Suivez tous les avertissements.
4. Suivez toutes les instructions.
5. N'utilisez pas cet appareil à proximité de l'eau.
6. Ne nettoyez qu'à l'aide d'un torchon sec.
7. Ne bloquez aucun orifice de ventilation. Procédez à l'installation conformément aux instructions du fabricant.
8. N'effectuez pas l'installation à proximité de sources de chaleur, telles que les radiateurs, les registres de chaleur, les fours, ou autres appareils y compris les amplificateurs) produisant de la chaleur
9. N'annulez pas l'effet de sécurité du de la fiche polarisée ou du type de la borne de terre. Une fiche polarisée dispose de deux lames dont l'une est plus large que l'autre. Une fiche dotée d'un type de borne de terre ou un troisième broche de masse. La lame large ou troisième broche de masse vous sont fournies pour votre sécurité. Si la fiche fournie n'entre pas dans votre prise, veuillez consulter un électricien afin de remplacer la prise électrique qui est obsolète.
10. Protégez le cordon d'alimentation qui ne doit être ni foulé, ni pincé, en particulier au niveau des fiches, des prises confort, ainsi qu'au point où ils sortent de l'appareil.
11. N'utilisez que les fixations ou accessoires spécifiés par le fabricant.
12. Débranchez l'appareil pendant les orages avec éclair ou lorsque vous ne l'utilisez pas pendant des périodes prolongées.
13. Ne vous adressez en cas de réparations qu'à un personnel qualifié. Des réparations sont requises lorsque l'appareil a été endommagé de quelque manière que ce soit, tel que lorsqu'un cordon d'alimentation ou une fiche est endommagé, lorsqu'un liquide a été versé ou des objets sont tombés à l'intérieur de l'appareil, que l'appareil a été exposé à la pluie ou à l'humidité, ne fonctionne plus normalement ou est tombé.

- AFIN DE PRÉVENIR TOUT RISQUE D'INCENDIE OU D'ÉLECTROCUTION, N'UTILISEZ PAS CETTE FICHE AVEC UNE RALLONGE ÉLECTRIQUE, UN SOCLE OU AUCUNE AUTRE PRISE À MOINS QUE LES LAMES PUISSENT ÊTRE ENTIÈREMENT INTRODUITES AFIN D'ÉMPÊCHER TOUTE EXPOSITION DES LAMES.
- AFIN DE PRÉVENIR TOUT RISQUE D'INCENDIE OU D'ÉLECTROCUTION, N'EXPOSEZ PAS CET APPAREIL À LA PLUIE OU À L'HUMIDITÉ
- AFIN DE PRÉVENIR TOUT RISQUE D'ÉLECTROCUTION, FAITES CORRESPONDRE LA FICHE À LAME LARGE AVEC LA FENTE LARGE, INSÉREZ ENTIÈREMENT.

**CHAMP MAGNÉTIQUE: !!ATTENTION!!** Ne placez pas d'équipements sensibles de gain élevé tels que des amplificateurs ou des platines de défilement au dessus ou en dessous de l'appareil. Du fait que cet amplificateur possède une densité de puissance élevée, il émet un puissant champ magnétique, qui peut induire un bourdonnement dans des appareils non protégés situés à proximité. Le champ est plus puissant juste au dessus et au dessous de l'appareil. Si un bâti d'appareil est utilisé, nous recommandons de placer le(s) amplificateur(s) au bas du bâti et le préamplificateur ou tout autre appareil sensible au sommet.

## POUR TOUTE INFORMATION SUR LE SERVICE AUX ÉTATS-UNIS VEUILLEZ APPELER :

Service à la clientèle AudioSource : (503) 286-9300 ou (800) 950-1449 8:30 à 17:00  
Heure du Pacifique.

## GARANTIES INTERNATIONALES :

Les produits achetés en dehors des États-Unis d'Amérique sont couverts uniquement par le détaillant autorisé AudioSource du pays et non par AudioSource. Les consommateurs qui désirent des informations au sujet du service ou de la garantie pour ces produits doivent communiquer avec le détaillant du pays pour information.



## CONTRÔLES DU PANNEAU AVANT

### 1. Alimentation

L'interrupteur d'alimentation du panneau avant allume ou éteint l'AMPSUB210. Les DEL rouges placés à l'arrière de la dalle de verre indiquent l'état d'alimentation. Chaque fois que l'interrupteur d'alimentation est en position «ON», la bague entourant le bouton s'allumera.

### 2. DEL de signal

Lorsque l'amplificateur est en mode «Actif» (recevant un signal) les lentilles latérales s'allumeront et le DEL de signal deviendra vert. En mode «Standby» (pas de signal), les lentilles latérales ne sont pas allumées et le DEL de signal sera de couleur orange.

### 3. DEL de clip

Une lumière rouge clignote pendant l'écrêtage ou protège de signal. Réduire légèrement le volume. Vérifier les câbles des écouteurs afin de détecter les impédances courtes ou extrêmement faibles (< 4 ohms).

### 4. Filtre subsonique

Régler entre 5Hz et 50Hz afin de filtrer toutes les fréquences basses indésirables.

### 5. Croisement variable

Programme une fréquence de croisement entre 40Hz et 500Hz.

### 6. Contrôle du volume

Règle le volume de l'amplificateur.

## CONTRÔLES DU PANNEAU ARRIÈRE

### 7. Entrée Ligne 1

Une entrée de commutation qui peut être utilisée dans le cas où une seconde source serait souhaitée et prendra le dessus lorsqu'un signal est détecté et possède au moins un niveau de 5mV. Chaque fois qu'aucun signal n'est détecté à ce point d'entrée, ou un signal est inférieur à un niveau de 5mV, l'amplificateur revient à la Ligne 2 ou à l'entrée «principale».

### 8. Sélectionner ligne de niveau d'entrée de haut-parleur (Speaker Level Input Line Select)

Commute l'entrée de niveau du haut-parleur vers la Ligne 1 ou bien vers la Ligne 2.

### 9. Entrée de niveau du haut-parleur

Peut être utilisée afin de connecter une source au niveau de sortie de haut-parleur au lieu des sorties de niveau de ligne. Utilisez le Speaker Level Input Line Select (Sélectionner ligne de niveau d'entrée de haut-parleur) afin d'aiguillonner la source vers la Ligne 1 ou la Ligne 2.

### 10. Entrée/Sortie Ligne 2

L'entrée et la sortie pour un niveau de ligne principal pour une connexion en provenance d'une source unique.

### 11. Entrée LFE

Certains récepteurs de cinéma maison disposent de sorties d'effets de basses fréquences (LFE Output). Du fait que cela contourne le contrôle du volume de l'amplificateur, utilisez le récepteur afin de configurer les niveaux. Réglez également le Croisement variable en position ultime dans le sens de l'aiguille d'un montre (500Hz) ainsi que le Filtre subsonique légèrement plus bas que le point F3 de votre caisson aux extrêmes graves, ou entre 9 et 12 heures, en cas d'absence de spécifications du caisson. Consultez le schéma fonctionnel (figure 5) à la page 5.

### 12. Interrupteur limitant à la sortie

### 13. Détente de 12V

Permet au AMPSUB210 d'être mis sous tension par d'autres appareils électroniques ou d'allumer d'autres appareils électriques via un mini câble à fiche pour téléphone de 3,5 mm.

### 14. Mode mise sous tension (Power Mode)

Ajuste la puissance au choix du AMPSUB210. Programmez-le sur Normal pour une mise sous tension manuelle allumé/éteint (on/off). Réglez sur Auto-On pour la détection de signal. Réglez la détente sur Déclencheur (Trigger) au cas où l'entrée du Déclencheur de 12V serait utilisée.

### 15. Contrôle de l'affichage des barres de signalisation

Allume ou éteint l'affichage de barres de signalisation sur le panneau avant. Ne contrôlez ni les DEL Signal/Clip, ni l'anneau lumineux du bouton d'alimentation.

### 16. Sortie de haut-parleur

Si vous utilisez deux haut-parleurs, ils doivent être d'au moins 8 ohms chacun. **NE FAITES PAS DE RACCORDS.** Les bornes du haut-parleur sont raccordées de manière interne.

### 17. Réseaux d'entrée d'alimentation et porte-fusible

Accepte les cordons d'alimentation IEC. Un fusible dans le porte-fusible intégré assure une protection contre les états défectueux: ne remplacez le fusible qu'avec un autre du même type et avec les mêmes spécifications.

### 18. Réseaux Sélecteur de tension

L'interrupteur de sélection de tension est configuré d'avance sur 115V (USA). Pour une utilisation dans des zones nécessitant 30V, veuillez contacter votre concessionnaire. Le fusible doit être du même type et disposer des mêmes spécifications que celles qui sont indiquées Sur l'amplificateur pour une utilisation selon la tension des réseaux locaux.

## CONTRÔLES DU PANNEAU AVANT

L'interrupteur d'alimentation du panneau avant allume ou éteint le AMPSUB210. Les DEL rouges placés à l'arrière de la lentille de la touche de mise en marche indiquent l'état d'alimentation. Chaque fois que l'interrupteur d'alimentation de l'amplificateur est sur «ON» et l'amplificateur est en mode «Actif», les DEL Signal/Clip changeront au vert. Si l'amplificateur est sur «ON» mais en mode «Standby» les DEL Signal/Clip s'allumeront en orange.

## CONTRÔLES DU PANNEAU ARRIÈRE

L'AMPSUB210 peut être allumé et éteint indépendamment à l'aide de l'interrupteur d'alimentation sur le panneau avant, par détection de signal, ou à distance au moyen d'une entrée de déclenchement à courant continu (DC). L'interrupteur 14, situé sur le rebord inférieur du panneau arrière de l'amplificateur, sélectionne les fonctions de mise sous tension (turn-on function) de l'AMPSUB210. Si vous aimeriez contrôler manuellement l'état allumé/éteint de l'appareil (power on / power off) depuis l'avant, veuillez placer l'interrupteur en position «Normale». Si vous désirez contrôler l'état allumé/éteint (power-on / power-off) de l'appareil au moyen de la détection de signal, placez l'interrupteur en position «Auto On». Si vous désirez contrôler l'état allumé/éteint de l'appareil (power-on / power-off) par déclencheur à courant continu à distance, veuillez placer l'interrupteur en position «Déclencheur», et connectez le câble de déclenchement à distance depuis votre dispositif de déclenchement jusqu'à la prise étiquetée «IN» se trouvant à côté de l'interrupteur. Lorsque vous utilisez un Déclencheur de 12V ou le mode Auto On, le bouton d'alimentation de l'appareil sera enfoncé et les DEL de signalisation deviendront orange en mode d'attente (standby).

Utilisez une fiche de téléphone de 3,5mm (dans le connecteur «IN») pour effectuer cette connexion: l'extrémité du connecteur est (+) positif, et le corps du connecteur est (-) négatif. Une seconde fiche dans le même broche est étiquetée «OUT». Ceci permet une mise sous tension à distance d'autres dispositifs lorsque le AMPSUB210 est allumé. Utilisez la même polarité que pour les bornes de cette fiche. Veuillez vous référer au guide de l'utilisateur pour tout appareil que vous tentez de brancher de cette manière afin de vérifier sa compatibilité.

Note: L'interrupteur d'alimentation du panneau avant doit être en position «ON» pour que les déclencheurs de 12V ou que la fonction «Auto ON» puisse fonctionner.

### **7 10 ENTRÉE/SORTIE RCA**

Il existe 2 paires d'entrées RCA à l'arrière du panneau de l'AMPSUB210. Ces entrées RCA sont étiquetées «Ligne 1 IN» et «Ligne 2 IN». Ils sont désignés également à l'aide d'un «R» ou d'un «L» en tant que entrées pour la Chaîne de droite et celle pour la Chaîne de gauche respectivement.

«Ligne 2 IN» devrait être utilisée comme entrée «principale» ou normale pour différentes sources de niveau de ligne qui pourraient être disponibles pour l'amplificateur. «Ligne 1 IN» est une entrée de commutation qui devrait être utilisée lorsqu'une Seconde source locale est connectée, et celle-ci prendra le dessus en tant qu'entrée sélectionnée. Chaque fois qu'un signal de niveau inférieur à 5mV est détecté. Chaque fois qu'aucun signal n'est détecté au niveau des RCA de la «Ligne 1 IN», ou lorsqu'un signal de niveau inférieur à 5mV est détecté, l'entrée reviendra au signal normal d'entrée de la Ligne 2.

Une décroissance intégrée de 4 secondes s'ajustera automatiquement, le plus souvent, à la nature de la source connectée aux RCA de la «Ligne 1 IN». À titre d'exemple, si la source de la «Ligne 1 IN» était un changeur de disques compacts, la décroissance devrait suffire afin de prévenir une commutation de retour à la source de «Ligne 2 IN» pendant que le chargeur se déplace d'un disque compact à un autre.

### **9 ENTRÉE DE NIVEAU DU HAUT-PARLEUR**

Peut être utilisée afin de connecter une source au niveau de sortie de haut-parleur au lieu des sorties de niveau de ligne. Utilisez le Speaker Level Input Line Select (Sélectionner ligne de niveau d'entrée de haut-parleur) afin d'aiguillonner la source vers la Ligne 1 ou la Ligne 2.

### **15 CONTRÔLE DE L'AFFICHAGE DES BARRES DE SIGNALISATION**

Cet interrupteur contrôle les barres lumineuses de signalisation à l'avant de l'amplificateur. Ces barres s'allument en rouge lorsque l'amplificateur fonctionne. Si l'amplificateur est visible et que vous désirez une configuration de faible éclairage, utilisez cet interrupteur pour éteindre les barres lumineuses. Les indicateurs DEL signal/clip à l'avant du panneau ainsi que l'anneau illuminé du bouton d'alimentation ne sont pas affectés par ce contrôle.

### **16 SORTIE DE HAUT-PARLEUR**

Les terminaux sont fournis pour deux caissons d'extrêmes graves. Connectez la borne positive du haut-parleur (rouge) à la borne positive de l'amplificateur (rouge), et la borne négative du haut-parleur (noir) à la borne négative de l'amplificateur (noire). NOTE: Utilisez le câble de dimension appropriée du haut-parleur lorsque vous connectez les haut-parleurs à l' AMPSUB210. Si vous utilisez deux haut-parleurs, ils doivent être d'au moins 8 ohms chacun. **NE FAITES PAS DE RACCORDS.** Les bornes du haut-parleur sont raccordées de manière interne.

### **17 18 RESEAUX D'ENTRÉE D'ALIMENTATION ET PORTE-FUSIBLE/ RESEAUX SELECTEUR DE TENSION**

Accepte les cordons d'alimentation IEC. Un fusible dans le porte-fusible intégré assure une protection contre les états défectueux: ne remplacez le fusible qu'avec un autre du même type et avec les mêmes spécifications.

Cet amplificateur est configuré sur 115V (Amérique du Nord)

Le AMPSUB210 peut être configuré pour être opéré à partir soit de réseaux 115V ~60Hz, soit de réseaux 230V ~50Hz AC. Les fusibles des réseaux installés doivent être du même type et avoir les mêmes spécifications figurant sur l'amplificateur conformément à la tension des réseaux configurés de courant alternatif.

Si vous désirez configurer l'AMPSUB210 afin de l'utiliser sur 230V ~50Hz, veuillez Contacter votre concessionnaire ou votre distributeur.

## APPLICATIONS

### CONFIGURATION POUR UNE SOURCE UNIQUE

Selon cette configuration, l'amplificateur joue une seule source, comme pour un cinéma maison ou une chaîne stéréo maison. Connectez les connecteurs femelles de la ligne de sortie en provenance d'un préamplificateur de stéréo ou d'un receveur aux connecteurs femelles de la Ligne 2 de votre AMPSUB210. (Figure 10) Puis, connectez vos haut-parleurs aux bornes en respectant la polarité correcte (voir «Bornes de haut-parleurs» Page 10).

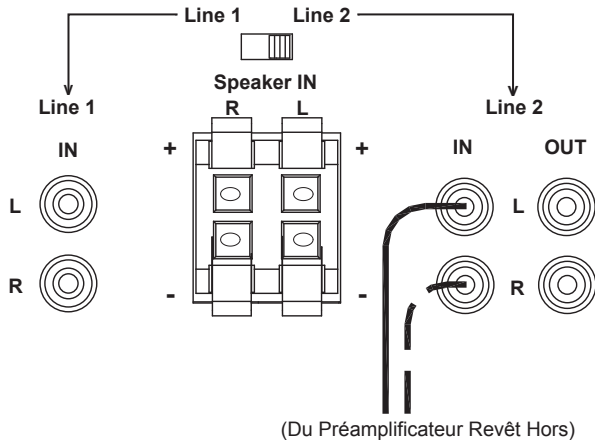


Figure 10. Configuration Stereo

### CONFIGURATION POUR SOURCES MULTIPLES

Dans l'application illustrée à la Figure 11, un système audio réparti est connecté à l'AMPSUB210 en tant qu'amplificateur de zone locale via les entrées de la Ligne 2. En général, le système audio réparti constituera la source audio du AMPSUB210. L'audio réparti est ensuite retransmis afin d'être utilisé par des zones additionnelles ou des sous-zones du système réparti via les sorties de la Ligne 2.

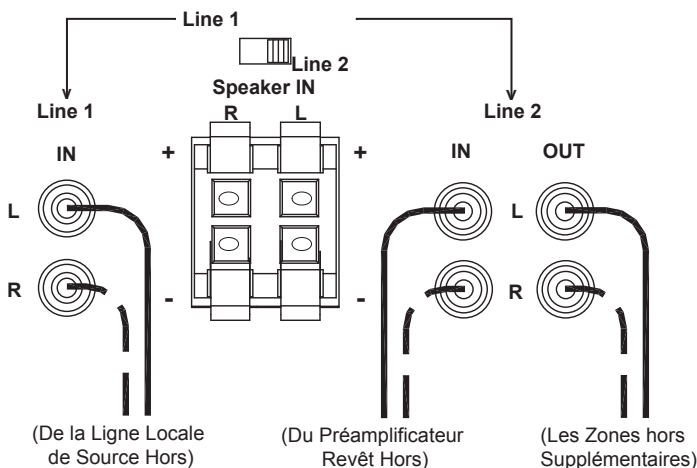


Figure 11. Configuration Pour Sources Multiples

La sortie audio d'une source locale, telle que pour un MP3 Player, CD, télévision, ordinateur, etc., est connectée au AMPSUB210 via les entrées de Ligne 1, et chaque fois que la source locale est active, son signal disposera de la priorité par rapport au signal audio détecté au niveau de la Ligne 2. Néanmoins, le signal audio réparti sera encore détectable au niveau de l'entrée de la Ligne 2. Dans ces circonstances, la sortie audio de la source locale sera entendue via le AMPSUB210. Une fois que la source locale est éteinte ou mise en sourdine, l'AMPSUB210 retournera automatiquement au système audio réparti en tant que source audio, en supposant que la source active demeure inactive.

La période de décroissance de 4 secondes détermine le moment selon lequel une commutation de retour à la source normale aura lieu. Cette programmation suppose que tous les signaux entrants sont au niveau de ligne et non au niveau du haut-parleur.

(De la Ligne Locale de Source Hors)

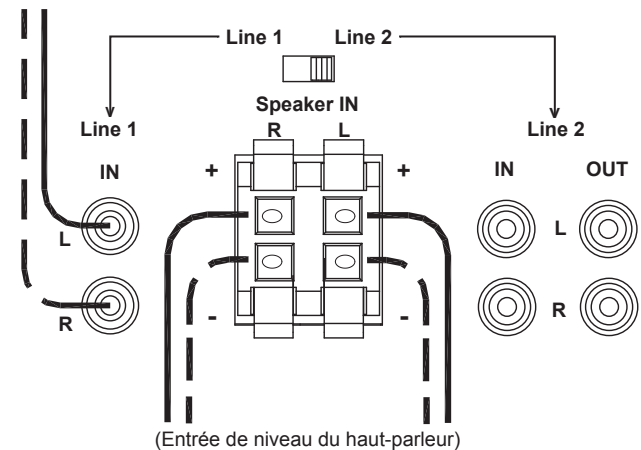


Figure 12. Niveau de Haut-parleur Pour Sources Multiples

Si l'ensemble de l'audio réparti dans la maison n'était disponible qu'en tant que signal de niveau de haut-parleur, vous pourriez le connecter aux connexions «Speaker In» et configurer l'interrupteur de commutation en position «Ligne 2», l'interrupteur positionné sur la main droite (Figure 12). L'AMPSUB210 ne sera plus en mesure de passer l'Audio réparti dans toute la maison (Whole House Distributed Audio) à une autre zone via la Sortie de la Ligne 2. Si vous avez des questions au sujet de cette configuration, veuillez appeler le service d'assistance technique de AudioSource® au 1.800.435.7115 ou 503.286.9300.

### CONFIGURATION POUR ENTRÉE LFE

Certains receveurs de cinéma maison disposent de sorties d'effets de basses fréquences (LFE Output). Du fait que cela contourne le contrôle du volume de l'amplificateur, utilisez le receveur afin de configurer les niveaux. Réglez également le Croisement 5 variable en position ultime dans le sens de l'aiguille d'un montre (500Hz) ainsi que le Filtre 4 subsonique légèrement plus bas que le point F3 de votre caisson aux extrêmes graves, ou entre 9 et 12 heures, en cas d'absence de spécifications du caisson. Consultez le schéma fonctionnel (figure 5) à la page 5.

# AMPSUB210 Amplificador de Poder Subwoofer de Audio Hogareño

## CARACTERÍSTICAS:

Commutación de entrada de prioridad Línea 1/Línea 2  
Salida auxiliar de Línea 2  
Entrada de alto nivel  
Controles de volumen del panel frontal  
Control de transición variable 40Hz-500Hz de panel frontal  
Control de filtro sub-sónico 5Hz-50Hz de panel frontal  
Lámparas LED de diagnóstico en panel frontal  
Señal detectando "Encendido"  
"Disparador" 12VDC  
Etapas amplificadoras de energía triple-Darlington  
Amplificadores de error diferencial-Dual  
Interruptor Limitador de Salida  
Listo para el montaje en estante

Felicitaciones por la compra de su AudioSource® AMPSUB210.  
Por favor tómese unos momentos para leer este manual completamente y asegúrese de tener este documento para futura referencia. Por favor lea y observe todas las instrucciones de seguridad detalladas en la página 13.

AVISO: Si alguna de las partes de este producto se daña o se pierde, llame a su representante o directamente a AudioSource® al 1.800.435.7115 o 503.286.9300. Por favor lea la garantía y retenga su recibo y caja original para posible uso en el futuro. Para más información acerca de electrónica AudioSource®, parlantes y accesorios, visite [www.audiosource.net](http://www.audiosource.net)

## IMPORTANTES INSTRUCCIONES DE SEGURIDAD

1. Lea estas instrucciones.
2. Guarde estas instrucciones.
3. Preste atención a todas las advertencias.
4. Observe todas las instrucciones
5. No utilice este aparato cerca del agua.
6. Limpie solamente con paño seco.
7. No bloquee ninguna abertura de ventilación. Instale cumpliendo las instrucciones del fabricante.
8. No instale cerca de fuentes de calor tales como radiadores, registros de calor, estufas, u otros aparatos (incluyendo amplificadores) que producen calor.
9. No deje de observar los propósitos de seguridad del conector polarizado o tipo de conexión a tierra. Un conector polarizado tiene dos patas con una más ancha que las otras. Un conector del tipo de conexión a tierra tiene dos patas y un tercer componente para conexión a tierra. La pata más ancha o tercer componente se proveen para su seguridad. Si el conector suministrado no entra en su tomacorriente, consulte a un electricista para el reemplazo del tomacorriente obsoleto.
10. Proteja el cable de energía contra estrangulamientos o para no ser pisado, particularmente en los enchufes, receptáculos utilitarios, y en el punto donde ellos salen del aparato.
11. Use solamente accesorios o componentes adjuntos especificados por el fabricante.
12. Desenchufe el aparato durante tormentas eléctricas o cuando no sea usado por largos períodos de tiempo.
13. Refiera todo el servicio técnico al personal calificado. Se requiere servicio técnico cuando el aparato ha sido dañado de alguna forma, como cuando el cable de alimentación o el enchufe es dañado, o cuando se han derramado líquidos u objetos han entrado en el aparato, o cuando ha sido expuesto a la lluvia o humedad, cuando no funciona normalmente, o sufre una caída.

- PARA EVITAR RIESGO DE CHOQUE ELÉCTRICO O INCENDIO, NO UTILICE ESTE CONECTOR CON UNA EXTENSIÓN DE CABLE, INTERMEDIARIOS U OTROS TOMACORRIENTES A MENOS QUE LAS PATAS PUEDAN SER COMPLETAMENTE INSERTADAS PARA EVITAR QUE QUEDEN EXPUESTAS.
- PARA EVITAR RIESGO DE CHOQUE ELÉCTRICO O INCENDIO, NO EXPONGA ESTE APARATO A LA LLUVIA O HUMEDAD
- PARA EVITAR CHOQUE ELÉCTRICO, HAGA COINCIDIR LA PATÁ MÁS ANCHA CON LA ENTRADA MÁS ANCHA, INSERTE COMPLETAMENTE,

**CAMPO MAGNÉTICO: !!PRECAUCIÓN!!** No coloque equipamiento sensible de alta ganancia tales como pre-amplificadores o consolas de grabación encima o debajo de la unidad. Debido a que este amplificador tiene una densidad de alto poder, posee un fuerte campo magnético, que puede inducir zumbido en dispositivos no blindados que estén cerca. Este campo es máximo justo encima y debajo de la unidad. Si se utiliza un anaquel de equipo, recomendamos localizar el amplificador(es) en la parte inferior del anaquel y el pre-amplificador u otro equipamiento sensible en la parte superior.

## GARANTÍA LIMITADA PARA ELECTRÓNICOS (ESTADOS UNIDOS)

AudioSource garantiza sus productos contra defectos en materiales y mano de obra por un período limitado de tiempo. Para un período de 1 año a partir de la fecha original de compra, repararemos o repondremos el producto, a nuestro criterio, sin cargo por partes y mano de obra. El cliente debe pagar todos las partes y cargos por mano de obra después de la expiración del período de garantía. El período de garantía limitada para productos reconstruidos de fábrica expira noventa (90) días a partir de la fecha de compra original. La garantía se extiende por dos años a partir de la fecha de compra si el equipo fue instalado por un distribuidor autorizado de AudioSource. Esta garantía limitada aplica solamente a compras a vendedores autorizados de AudioSource.

Esta garantía limitada se extiende solamente al comprador original y es válida únicamente para clientes dentro de los Estados Unidos. Se requiere que los clientes proporcionen copia de la factura original de compra de un distribuidor autorizado de AudioSource al hacer un reclamo de garantía. Esta garantía limitada únicamente cubre fallas debidas a defectos en materiales o mano de obra que ocurran durante el uso normal. No cubre fallas resultantes de accidentes, mal uso, abuso, negligencia, mal manejo, mala aplicación, alteración, instalación incorrecta, modificación, servicio por otro que no sea AudioSource, o daños atribuibles a acciones de Dios. No cubre costos de transporte hacia AudioSource o daños en el camino.

**Esta garantía resultará nula si el número de serie de identificación ha sido total o parcialmente removido, alterado o borrado.**

La reparación o reposición bajo los términos de esta garantía no extienden sus términos. Si un producto ha probado estar defectuoso en mano de obra o material, la única solución será la reparación o reposición tal como lo establecen los términos de esta garantía. Bajo ninguna circunstancia AudioSource será responsable por pérdida o daño, directo, consecuencial o incidental, resultante del uso o incapacidad de utilizar el producto. No existen garantías expresas más que las descritas anteriormente.

## SI USTED NECESITA SERVICIO PARA SUS PRODUCTOS AUDIOSOURCE:

AudioSource exhorta a los dueños de sus productos a contactar inicialmente a su vendedor original de AudioSource para determinar si el asunto puede resolverse sin necesidad de enviar el producto de regreso a AudioSource.

Si fuera necesaria una devolución, el vendedor contactará a AudioSource para obtener la autorización respectiva. Todas las devoluciones requieren de un número de Autorización de Devolución de AudioSource antes de enviar el producto a las instalaciones de AudioSource. Si el dueño de un producto no puede devolverlo al vendedor original, el propietario puede contactar directamente a AudioSource para obtener un número de Autorización de Devolución. Las unidades devueltas a AudioSource sin un número de AR estarán sujetas a rechazo o atrasos.

Todas las devoluciones por garantía deberán ser enviadas a las instalaciones de AudioSource's Product Service con flete prepago, y deben estar acompañadas de una prueba de compra (una copia del recibo original, así como el empaque original).

Los artículos no defectuosos recibidos podrán ser devueltos con flete por cobrar. El cliente es responsable por los cargos de envío y seguro al enviar el producto a AudioSource. El daño en el flete por devoluciones no está cubierto por la garantía.

## PARA INFORMACIÓN DE SERVICIO EN LOS ESTADOS UNIDOS, POR FAVOR LLAME A:

Servicio al Cliente AudioSource: (503) 286-9300 ó (800) 435-7115 8:30AM a 5:00PM Hora del Pacífico.

## GARANTÍAS INTERNACIONALES:

Los productos comprados fuera de los Estados Unidos de América están cubiertos únicamente por el vendedor autorizado de AudioSource en ese país, y no por AudioSource. Los clientes que necesitan servicio o información sobre garantías para estos productos deben contactar al vendedor en el país para solicitar la información.



## CONTROLES DEL PANEL FRONTAL

1. Energía  
El interruptor de energía del panel frontal enciende o apaga el AMPSUB210. Lámparas LED rojas detrás de la placa frontal indican el estado de energía. Cuando el interruptor de energía del amplificador está en la posición "ON" el anillo alrededor del botón se ilumina.
2. Lámpara LED Señal  
Cuando el amplificador está "Activo" (recibiendo señal) las lentes laterales se iluminan y las lámparas LED de señal se muestran verdes. Durante el estado de "Espera" (sin señal) las lentes laterales no están iluminadas y las lámparas LED de señal se muestran de color naranja.
3. Lámpara LED clip  
Parpadea en rojo durante el recorte de señal o protección. Para recorte reduzca levemente el volumen. Para protección Verifique la existencia de cortos en los cables de parlante o impedancia extremadamente baja (< 4 ohms).
4. Filtro sub-sónico  
Fije entre 5Hz y 50Hz para filtrar frecuencias menores no deseadas.
5. Transición Variable  
Establezca la frecuencia de transición entre 40Hz y 500Hz.
6. Control de Volumen  
Ajusta el volumen del amplificador.

## CONTROLES DEL PANEL TRASERO

7. Entrada de la línea 1  
Una entrada de conmutación puede ser utilizada si se desea una segunda fuente y asumirá el comando cuando una señal está presente y tiene por lo menos un nivel de 5mV. Cuando no existe señal en esta entrada, o una señal menor a un nivel de 5mV, el amplificador cambia nuevamente a la Línea 2 o entrada "primaria".
8. Selector de línea de Entrada de Nivel de Parlante  
Cambia la entrada de nivel de parlante a Línea 1 o Línea 2.
9. Entrada de Nivel de Parlante  
Puede ser utilizada para conectar una fuente con la salida de nivel de parlante en vez de salidas de nivel de línea. Utilice el Selector de línea de Entrada de Nivel de Parlante para rutear la fuente a la Línea 1 o Línea 2.
10. Entrada/Salida Línea 2  
La entrada y salida de nivel de línea primaria para una conexión de fuente individual.
11. Entrada LFE  
Algunos receptores home theater tienen Salida LFE. Esto evita el control de volumen del amplificador, por lo tanto utilice el receptor para configurar niveles. También configure la Transición Variable a la posición de máxima en sentido horario (500Hz) y el Filtro Sub-sónico levemente más bajo que el punto F3 del parlante de graves, o entre las 9 y las 12 si la especificación del parlante de graves no está disponible. Vea el diagrama de bloque (figura 5) en la página 5.
12. Interruptor Limitador de Salida  
Cuándo "ON" reduce los picos extremos de la señal que pueden dañar a sus oradores y causar la deformación audible.
13. Disparador 12V  
Permite que el AMPSUB210 sea activado por otro equipo electrónico o activar otros equipos a través de un cable conector mini teléfono de 3.5mm
14. Modo de Energía  
Configura la opción de energía del AMPSUB210. Fíjelo en Normal para encendido/apagado manual. Fíjelo en Auto-On para detección de señal. Fíjelo en Disparador si la entrada de Disparador es utilizada.
15. Control de Exhibición de Barra de Luz  
Enciende o apaga la barra de luz en el panel frontal. No controla las lámparas LED de Señal/Clip o anillo de luz del botón de encendido.
16. Terminales de Parlante  
Si utiliza dos parlantes, deben ser un mínimo de 8 ohms cada uno. NO REALICE UN PUENTE. Las terminales de parlante están puenteadas internamente.
17. Entrada de Energía de Red y Portafusibles  
Acepta cable de línea de tipo IEC. Un fusible en el portafusibles integrado brinda protección de seguridad en caso de fallas: reemplace el fusible por otro de la misma evaluación y tipo solamente.
18. Selector de Voltaje Principal  
El interruptor de selección de voltaje está prefijado en 115V (USA). Para el uso en áreas donde se requiere 230V, contacte a su representante. El fusible debe ser del tipo y evaluación marcados en el amplificador para uso con el voltaje primario local.

## CONTROLES DEL PANEL FRONTAL

El interruptor de energía del panel frontal enciende o apaga el AMPSUB210. Lámparas LED rojas detrás de las lentes del botón de encendido indican el estado de energía. Cuando el interruptor de energía del amplificador está en la posición "ON" y el amplificador está en estado "Activo", las lámparas LED de Señal/Clip se iluminan de color verde. Si el amplificador está "ON" pero en estado de "Espera", las lámparas LED de Señal/Clip se iluminarán en color naranja.

## CONTROLES DEL PANEL TRASERO

El AMPSUB210 puede ser encendido y apagado mediante el interruptor de electricidad en el panel frontal, detectando la señal, o en forma remota por una entrada DC activada. El interruptor 14, ubicado en el extremo inferior del panel trasero del amplificador, selecciona las funciones de encendido del AMPSUB210. Si usted desea controlar el estado de encendido/apagado de la unidad en forma manual desde el frente, coloque el interruptor en la posición "Normal". Si usted desea controlar el estado de encendido / apagado de la unidad por medio de la detección de señal, coloque el interruptor en la posición "Auto-On". Si usted desea controlar el estado de encendido / apagado de la unidad mediante un disparador DC remoto, coloque el interruptor en la posición "Disparador", y conecte el cable disparador remoto de su dispositivo activador al enchufe marcado "IN" próximo al interruptor. Al usar el modo Disparador 12V o Auto-On, el botón de encendido de la unidad será pulsado y las lámparas LED de estado estarán iluminadas de color naranja en la condición de espera.

Utilice un conector telefónico de 3.5mm (in el conector "IN") para realizar esta conexión: La punta del conector es positiva (+), y la funda es negativa (-). Un segundo enchufe en el mismo bloque exhibe la etiqueta "OUT". Esto permite el encendido remoto de otros dispositivos cuando el AMPSUB210 está encendido. Utilice la misma polaridad de las terminales de este conector. Lea el manual del propietario para conocer sobre cualquier dispositivo que usted desea conectar de esta manera para asegurar la compatibilidad.

Aviso: El interruptor de alimentación del panel frontal debe estar en la posición "ON" para que funcionen las características de disparadores de 12V o "Auto ON"

**7 10 ENTRADA/SALIDA RCA**

Existen 2 pares de entrada RCA en el panel trasero del AMPSUB210. Estas entradas RCA están marcadas como "Línea 1 IN" y "Línea 2 IN". También están designadas con una "R" o una "L" como entradas de Canal Derecho o Canal Izquierdo respectivamente.

La "Línea 2 IN" debe ser utilizada como la entrada "primaria" o normal para varias fuentes de nivel de línea que puedan estar disponibles para el amplificador. "Línea 1 IN" es una entrada de conmutación que debe ser utilizada cuando una segunda fuente local está conectada, y tomará el comando como la entrada seleccionada cuando una señal con un mínimo de 5mV de nivel esté presente. Cuando no existe señal en las RCAs de "Línea 1 IN", o una señal con un nivel menor a 5mV, la entrada revertirá a la señal de entrada normal Línea 2.

Una demora interna de 4 segundos en la mayoría de los casos, acomodará automáticamente la naturaleza de la fuente conectada al las RCAs de "Línea 1 IN". Como ejemplo, si la fuente de "Línea 1 IN" era un Cambiador de CD, la demora debe ser suficiente para evitar el cambio de regreso a la fuente de "Línea 2 IN" mientras el cambiador se mueve de un disco a otro.

**9 ENTRADA DE NIVEL DE PARLANTE**

El AMPSUB210 provee un par de entradas de nivel de parlante para aquellas aplicaciones donde cada una de las fuentes tiene disponible solamente señal de salida de nivel de parlante. El interruptor rutea la señal de nivel de parlante para la entrada de Línea 1 o Línea 2.

**15 CONTROL DE EXHIBICION DE BARRA DE LUZ**

Este interruptor controla las barras iluminadas en el frente del amplificador. Estas barras se iluminan en color rojo cuando el amplificador está funcionando. Si el amplificador es visible y se desea una configuración de luz leve, utilice este interruptor para desactivar las barras de luz. Los indicadores LED señal/clip en el panel frontal, así como también el anillo iluminado del botón no son afectados por este control.

**16 TERMINALES DE PARLANTE**

Se proveen terminales para dos subwoofers. Conecte la terminal positiva (roja) del parlante a la terminal positiva (roja) del amplificador, y la terminal negativa (negra) del parlante a la terminal negativa (negra) del amplificador.

**AVISO:** Utilice el cable indicador de parlante apropiado al conectar parlantes al AMPSUB210.

Si utiliza dos parlantes, deben ser un mínimo de 8 ohms cada uno. **NO REALICE UN PUENTE.** Las terminales de parlante están puenteadas internamente.

**17 18 ENTRADA DE ENERGIA DE RED Y PORTAFUSIBLES/ SELECTOR DE VOLTAJE PRINCIPAL**

El tomacorriente de energía acepta el cable de línea de tipo IEC suministrado junto con el amplificador. El fusible integrado en el portafusibles brinda protección de seguridad contra posibles condiciones de falla: solamente reemplace el fusible por otro del mismo tipo y evaluación.

Este amplificador está configurado para trabajar con 115V. (Norte América)

El AMPSUB210 puede ser configurado para operar tanto con redes eléctricas de 115V ~60Hz o 230V ~50Hz. El fusible de red instalado debe ser del tipo y evaluación marcados en el amplificador correspondiendo al voltaje configurado de red AC.

Si desea configurar el AMPSUB210 para el uso a 230V ~50Hz por favor contacte a su representante o distribuidor.

APLICACIONES

CONFIGURACIÓN DE FUENTE INDIVIDUAL

En esta configuración el amplificador reproduce una fuente individual tal como home theater o estéreo hogareño. Conecte los enchufes de salida de línea de un pre-amplificador estéreo o receptor a los enchufes de entrada de Línea 2 de su AMPSUB210. (Figura 10) A continuación conecte sus parlantes a las terminales observando la polaridad apropiada (vea "Terminales de Parlante" en la Página 14).

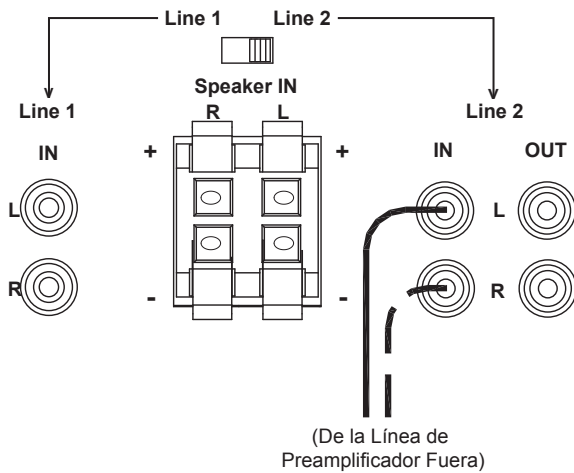


Figure 10. Configuración Estéreo

CONFIGURACIÓN PARA FUENTES MÚLTIPLES

En la aplicación mostrada en la Figura 11, un sistema de audio distribuido está conectado al AMPSUB210 como amplificador de zona local a través de entradas de Línea 2. Normalmente el sistema de audio distribuido será la fuente de audio del AMPSUB210. El audio distribuido es luego pasado para ser utilizado por zonas adicionales o sub-zonas en el sistema distribuido a través de salidas de Línea 2.

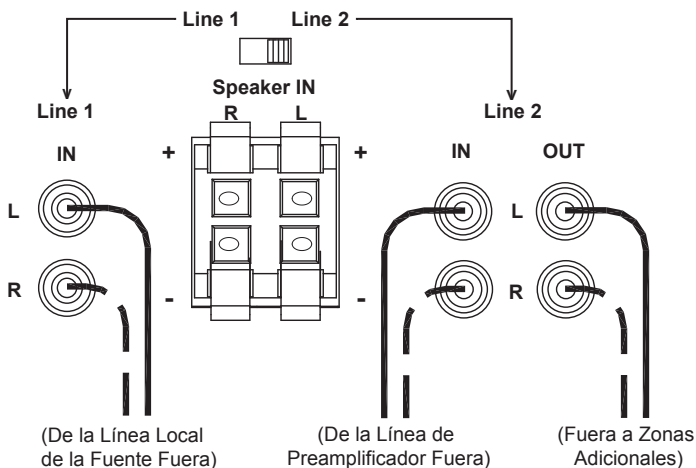


Figure 11. Configuración Para Fuentes Múltiples

La salida de audio de una fuente local, tales como un reproductor de MP3+, CD, televisión, computadora, etc., está conectada al AMPSUB210 a través de entradas de Línea 1, y cuando la fuente local está activa, su señal tendrá prioridad sobre la señal de audio distribuida, presente en la Línea 2. Sin embargo, la señal de audio distribuida todavía estará presente en la entrada de Línea 2. En esta circunstancia la salida de audio de la fuente local será escuchada a través del AMPSUB210. Una vez que la fuente local es apagada o enmudecida, el AMPSUB210 cambiará de regreso automáticamente al sistema de audio distribuido como una fuente de audio, asumiendo que la fuente local permanece inactiva.

La demora de 4 segundos determina cuando ocurrirá el cambio de regreso para la fuente normal. Esta configuración asume que todas las señales entrantes están a nivel de línea y no a nivel de parlante.

(De la Línea Local de la Fuente Fuera)

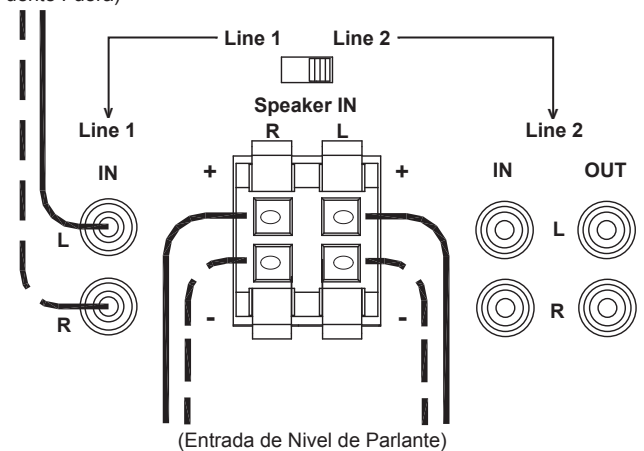


Figure 12. Nivel de Parlante Para Fuentes Múltiples

Si el total de audio distribuido en cámara estuviera disponible solamente como una señal de nivel de parlante usted podría conectarlo a las conexiones "Parlantes In" y configurar el interruptor de ruteo en la posición "Línea 2", la posición de mano derecha del interruptor (Figura 12). El AMPSUB210 ya no podrá pasar el Total de Audio Distribuido en Cámara a otra zona a través de la Salida de Línea 2. Si usted tiene cualquier pregunta relativa a esta configuración, llame al soporte técnico de AudioSource® al 1.800.435.7115 o 503.286.9300.

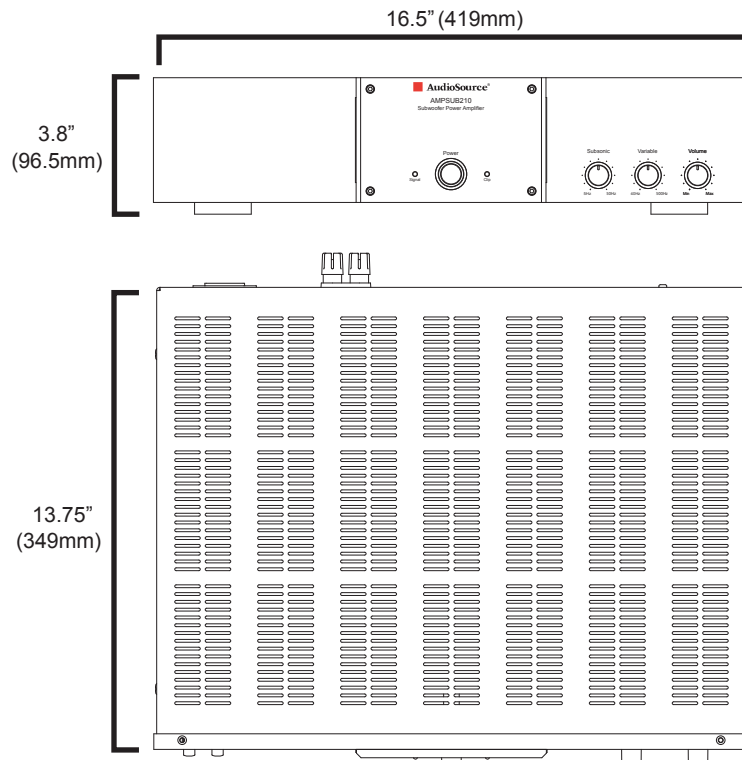
CONFIGURACIÓN DE LA ENTRADA LFE

Algunos receptores home theater tienen Salida LFE. Esto evita el control de volumen del amplificador, por lo tanto utilice el receptor para configurar niveles. También configure la Transición Variable 5 a la posición de máxima en sentido horario (500Hz) y el Filtro Sub-sónico 4 levemente más bajo que el punto F3 del parlante de graves, o entre las 9 y las 12 si la especificación del parlante de graves no está disponible. Vea el diagrama de bloque (figura 5) en la página 5.



### AMPSUB210 SPECIFICATIONS

- 8 ohm Power: 200W RMS total at 8 ohms,  
20Hz - 500Hz, <0.1% THD+N
- 4 ohm Power: 300W total at 4 ohms,  
20Hz- 500Hz, <0.1% THD+N
- Frequency Response: 5Hz - 500Hz, +0dB, -3dB
- Signal to Noise Ratio: 100dB A-weighted, referred to rated  
power at 4 ohms
- Sensitivity: Variable, 350mV to 2.8V for rated  
power at 8 ohms
- AC Power Consumption: 700W maximum
- Net Weight: 23.1lbs / 10.5kgs
- Gross Weight: 30.8lbs / 14.0kgs



## Free Manuals Download Website

<http://myh66.com>

<http://usermanuals.us>

<http://www.somanuals.com>

<http://www.4manuals.cc>

<http://www.manual-lib.com>

<http://www.404manual.com>

<http://www.luxmanual.com>

<http://aubethermostatmanual.com>

Golf course search by state

<http://golfingnear.com>

Email search by domain

<http://emailbydomain.com>

Auto manuals search

<http://auto.somanuals.com>

TV manuals search

<http://tv.somanuals.com>