



**PROGRAMMABLE FEATURES**

**RF Programmable Features :**

Feature Selection	1 Chirp	2 Chirps	Default
First	1 Second Door Locks	3.5 Second Door Locks	1 Second
Second	Auto Lock On	Auto Lock Off	Auto Lock Off
Third	Auto Unlock On	Auto Unlock Off	Auto Unlock Off
Fourth	Passive Door Locks	Active Door Locks	Active Locks
Fifth	Passive Arming	Active Arming	Passive Arming
Sixth	Voltage Sense On	Voltage Sense Off	Voltage Sense Off
Seventh	Hi-Jack Start Timer 15 Sec.	Hi-Jack Start Timer 45 Sec	Start Timer 45 Sec.
Eighth	Hi-Jack Feature On	Hi-Jack Feature Off	Hi-Jack Feature On

**Note :** When both Passive Arming and Voltage Sensing are selected, you must hardwire the driver's door pin switch in order to begin the passive arming sequence.

**To program these selectable features;**

	Action	System Response
	Turn ignition on	No response
	Flip valet switch on then off 3 times	1 Chirp - LED 1 flash
	Within 3 seconds, turn ignition Off	Short chirp, then long chirp
First	Then On Press transmitter button 1 to change <b>or</b>	1 chirp = 1 second door locks 2 chirps = 3.5 second door locks
Second	Flip valet switch on then off Press transmitter button 1 to change <b>or</b>	2 chirps = auto locks off 1 chirp = auto locks on
Third	Flip valet switch on then off Press transmitter button 1 to change <b>or</b>	2 chirps = auto unlock off 1 chirp = auto unlock on
Fourth	Flip valet switch on then off Press transmitter button 1 to change <b>or</b>	2 chirp = active locks 1 chirps = passive locks
Fifth	Flip valet switch on then off Press transmitter button 1 to change <b>or</b>	1 chirp = passive arming 2 chirps = active arming
Sixth	Flip valet switch on then off Press transmitter button 1 to change <b>or</b>	2 chirps = voltage sense feature off 2 chirp = voltage sense feature on
Seventh	Flip valet switch on then off Press transmitter button 1 to change <b>or</b>	2 chirp = Hi-jack start timer 45 seconds 1 chirps = Hi-jack start timer 15 seconds
Eighth	Flip valet switch on then off Press transmitter button 1 to change <b>or</b>	1 chirp = Hi-jack feature on 2 chirps = Hi-jack feature off
	Flip valet switch on then off <b>or</b>	Exit Program Mode
	Turn the ignition switch off	Exit Program Mode

**Note :** Once you enter the feature programming mode, do not allow more than 15 seconds to pass between steps, or the programming will be terminated.

## INSTALLATION OF MAJOR COMPONENTS

### **Control Module :**

Select a mounting location inside the passenger compartment ( up behind the dash ), and secure using the two screws provided. The control module can also be secured in place using cable ties.

**Do not** mount the control module in the engine compartment, as it is not waterproof. You should also avoid mounting the unit directly onto factory installed electronic components. These components may cause RF interference, which can result in poor transmitter range or intermittent operation.

### **Siren :**

Select a mounting location in the engine compartment that is well protected from access below the vehicle. Avoid areas near high heat components or moving parts within the engine compartment. To prevent water retention, the flared end of the siren must be pointed downward when mounted.

Mount the siren to the selected location using the screws and bracket provided.

### **Hood or Trunk Pin Switch :**

A pin switch is included for use in protecting the hood or trunk ( or hatchback ) of the vehicle. The switch must always be mounted to a grounded, metal surface of the vehicle. It is important to select a location where water cannot flow or collect, and to avoid all drip gutters on hood and trunk fender walls. Choose locations that are protected by rubber gaskets when the hood or trunk lid is closed.

The pin switch can be mounted using the bracket provided, or direct mounted by drilling a ¼ " diameter mounting hole. Keep in mind that when properly mounted, the plunger of the pin switch should depress at least ¼ " when the hood or trunk lid is closed.

### **Dash Mounted L.E.D. :**

A small red L.E.D. is included that will serve as a visual indicator of the alarm status. It should be installed in the dash, located where it can be easily seen from outside the vehicle, yet not be distracting to the driver.

Once a location has been selected, check behind the panel for wire routing access, and to confirm the drill will not damage any existing components as it passes through the panel.

Drill a ¼ " diameter hole, and pass the red and blue wires from the L.E.D. through the hole, from the front of the panel. Firmly press the body of the L.E.D. into the hole until fully seated.

### **Valet Switch :**

Select a mounting location for the switch that is easily accessible to the driver of the vehicle. The switch does not have to be concealed, however, concealing the switch is always recommended, as this provides an even higher level of security to the vehicle.

The valet switch can be mounted to the lower side of the dash by drilling a ¼ " diameter hole in the selected location.

Be sure to check behind the dash for adequate clearance for the body of the switch, and to confirm that the drill will not damage any existing components as it passes through the dash. You should also make certain that the back of the switch is accessible for wiring later in the installation.

### **Hi-Jack Override/Enable Switch:**

Select a covert location for this switch within reach of the driver of the vehicle. This switch can be mounted behind a soft dash panel, above the driver under the headliner, under the driver's seat. This switch must be within reach of the operator of the vehicle. The locations mentioned are hidden from view and will be known only to the vehicle operator yet they allow activation of the switch when necessary.

**Shock Sensor :**

Select a solid mounting surface for the shock sensor on the firewall inside the passenger compartment, and mount the sensor using the two screws provided. The shock sensor can also be secured to any fixed brace behind the dash using tie straps.

Whichever mounting method is selected, make certain that the sensitivity adjustment is accessible for use later in the installation.

**WIRING THE SYSTEM****Main Wiring Harness :****Red Fused Wire : + 12 VDC CONSTANT BATTERY SOURCE**

This wire supplies power to the control module and, controls the sensitivity of the voltage sensing circuit, which detects the turning on of an interior light when a door is opened. This wire will also detect the switching on of parking or headlamps, and in many cases will trigger the alarm when a thermostatically controlled electronic radiator cooling fan switches on.

When installing this system into vehicles with electronic " after fans ", it is recommended you disable the voltage sense circuit.

In voltage sensing applications, the closer to the battery that the red wire is connected, the less sensitive the voltage sense circuitry will be. Moving this connection point to the fuse panel will increase the sensitivity, and connecting to the courtesy lamp fuse in the vehicle will provide maximum sensitivity of the voltage sense circuit.

When hardwiring the control module to pin switches at all entry points, the voltage sense circuit must be disabled. The control circuit is shipped with selectable feature #6 turned off, and no change is necessary. If you intend to utilize the voltage sense feature instead of hardwiring, then change selectable feature # 6 to on as described on page 1 of this manual.

**White Wire : + 12 VDC PULSED PARKING LIGHT OUTPUT ( 15 AMP MAX )**

This wire is provided to flash the vehicle's parking lights. Connect the white wire to the positive side of one of the vehicle's parking lights.

**Red/White Wire: + 12 VDC CIRCUIT SUPPLY**

**See Red Wire above. Connecting the above Red wire completes the connection for the Red/White wire.**

**White w/ Black Trace Wire : POSITIVE OUTPUT TO SIREN**

Route this wire through a rubber grommet in the firewall, and to the siren location.

Connect the white / black wire to the positive wire of the siren. Secure the black ground wire of the siren to chassis ground.

**Purple Wire : + DOOR TRIGGER**

If the vehicle's door courtesy light switches have a + 12 volt output when the door is opened ( most Fords and some Imports ), you must connect this wire to the positive output from one of the door switches. In most cases, the purple wire will only needs to be connected to one door switch, no matter how many doors the vehicle has.

**WARNING :** Do not use the purple wire if the vehicle has ground output type door switches.  
( see Brown Wire ).

**Yellow Wire : + 12 VDC IGNITION SOURCE**

Connect this wire to a source that is live when the key is in the on and crank positions. Be sure that this source is off when the key is in the off position.

**Dark Blue Wire : DELAYED 300 mA PULSED OUTPUT / CHANNEL 2**

The dark blue wire pulses to ground via an independent RF channel from the keychain transmitter. This is a transistorized, low current output, and should only be used to drive an external relay coil.

**WARNING:** Connecting the dark blue wire to the high current switched output of trunk release circuits, and some remote start trigger inputs, will damage the control module.

In these cases connect the dark blue wire to terminal 86 of the AS - 9256 relay (or equivalent 30 A automotive relay), and wire the remaining relay contacts to perform the selected function of channel 2.

**Black Wire : CHASSIS GROUND**

Connect this wire to a solid, metal part of the vehicle's chassis. Do not confuse this wire with the thin black antenna wire that exits the control module independently.

**Orange Wire: 300 mA GROUND OUTPUT WHEN ARMED - N. C. STARTER DISABLE (Optional Relay Required)**

This wire is provided to control the starter cut relay. Connect the orange wire to terminal 86 of the relay. Connect relay terminal 85 to an ignition wire in the vehicle that is live when the key is in the on and crank positions, and off when the key is in the off position. ( This is where the yellow wire from the alarm should be connected ).

Cut the low current starter solenoid wire in the vehicle, and connect one side of the cut wire to relay terminal 87A. Connect the other side of the cut wire to relay terminal 30.

**Note : This is a normally closed starter cut arrangement, and when power is removed from the security system, the starter disable feature will not operate, allowing the vehicle to start. Audiovox does not recommend using the Orange wire to interrupt anything but the starting circuit of the vehicle.**

**Brown Wire : - DOOR TRIGGER**

If the vehicle's courtesy light switches have a ( - ) ground output when the door is opened ( GM and most Imports ), you must connect this wire to the negative output from one of the door switches.

**WARNING :** Do not use the brown wire if the vehicle has + 12 volt output type door switches. ( see Purple Wire ).

**Dark Green Wire : ( - ) Instant Trigger Zone 2**

This is an instant on ground trigger wire. It must be connected to the previously installed hood and trunk pin switches.

**Yellow w/ White Trace Wire : 300 mA GROUND OUTPUT DURING HI-JACK ACTIVE STATE (Optional Relay Required ).**

This wire provides a progressive output to control a relay which in turn will control the vehicle shut down circuit (Ignition or Fuel) during the Hi-Jack triggered mode. Connect the Yellow/White trace wire to terminal 86 of a relay. Connect relay terminal 85 to an ignition wire in the vehicle that is live when the key is in the on and crank positions, and off when the key is in the off position. ( This is where the yellow wire from the alarm should be connected ).

Cut the ignition or electric fuel pump feed wire at a convenient location in the vehicle. Connect one side of the cut wire to relay terminal 87. Connect the other side of the cut wire to relay terminal 30.

**Note : This is a normally opened ignition/electric fuel pump inhibit arrangement. When power is removed from the security system, the inhibit feature will remain operational, and the vehicle will not start or will not continue to run. Audiovox recommends redundant testing of your connections to the vehicle concerning this circuit as a poor connection will prevent the vehicle from starting.**

**2 Pin Blue Connector : VALET SWITCH**

Route the grey and black wires in the 2 pin connector from the valet switch to the control module, and plug it into the mating blue connector on the side of the module.

**2 Pin White Connector : DASH MOUNTED L.E.D.**

Route the red and blue wires in the 2 pin white connector from the L.E.D. to the control module, and plug it into the mating white connector on the side of the module.

**2 Pin Red Connector : HI-JACK OVERRIDE**

Route the 2 pin red connector from the override switch previously mounted to the mating two pin connector on the module.

**Red & Green 2 Pin White Connector : DOOR LOCK OUTPUTS**

These wires will provide a pulsed ground output to the factory door lock control relay. The maximum current draw through these outputs must not exceed 300 mA.

**3 Wire Ground Switched Door Locks**

In this application, the **red wire** provides a ground pulse during arming, or the **pulsed ground lock** output. Connect the red wire to the wire that provides a low current ground signal from the factory door lock switch to the factory door lock control relay.

The **green wire** provides a ground pulse during disarming, or the **pulsed ground unlock** output. Connect the green wire to the wire that provides a low current ground signal from the factory door unlock switch to the factory door lock control relay.

**3 Wire Positive Switched Door Locks****4 Wire Polarity Reversal and****5 Wire Alternating 12 Volt****Door Lock Control Circuits**

In these applications, the AS 9159 Door Lock Interface ( or equivalent 30 A automotive relays ) must be used. Refer to the AUDIOVOX Door Lock Wiring Supplement for proper connection to these types of circuits.

**COMPLETING THE INSTALLATION**

**Antenna Wire :** Be sure to extend the thin black antenna wire to it's full length, and cable tie into place where it cannot be damaged. Avoid wrapping this wire around major, high current wire looms.

**Adjusting the Shock Sensor :**

Using a small screwdriver, gently turn the adjustment screw fully counterclockwise. ( DO NOT over turn this screw. Maximum rotation for this adjustment is 270° ). Close the hood and trunk lids, and arm the alarm. Wait 6 seconds for the accessories trigger zone to stabilize, then firmly strike the rear bumper with the side of a closed fist considering the amount of force required to break a window.

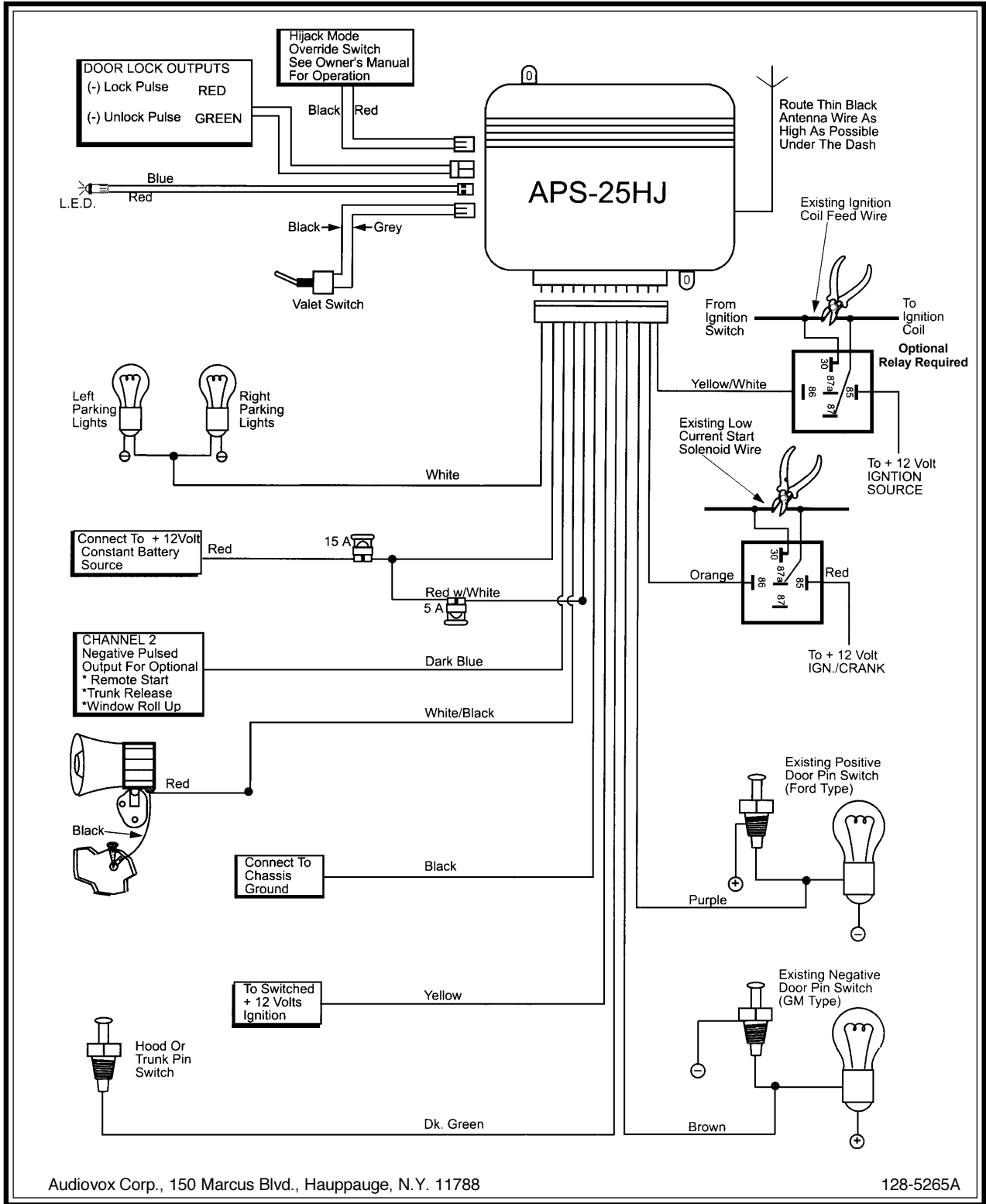
**CAUTION : Never perform this test on the vehicle's glass, as you may break the window.**

Turn the adjustment screw clockwise ( increasing sensitivity ) about ¼ turn and re - test. Repeat this procedure until the alarm sounds. Ultimately, one firm strike to the rear bumper will cause the alarm to trigger.

**WARNING !** Setting the sensitivity too high can cause false alarms due to noise vibrations from passing trucks and heavy equipment. To decrease sensitivity, turn the adjustment screw counter clockwise.

**Wire Dressing :** Always wrap the alarm wires in convoluted tubing, or with a spiral wrap of electrical tape. Secure these looms along the routing using cable ties. This will ensure that the alarm wires are not damaged by falling onto hot or sharp moving surfaces in the vehicle.

**Operation :** Take a few moments to check off the appropriate option boxes in the owner's manual, and to fully explain the operation of the system to your customer.





**FUNCIONES PROGRAMABLES**

**Funciones RF programables:**

Selección de función	1 chirrido	2 chirridos	Valor por defecto
Primera	Trabado de puertas de 1 segundo	Trabado de puertas de 3,5 segundos	1 segundo
Segunda	Trabado automático "on"	Trabado automático "off"	Trabado automático "off"
Tercera	Destrabado automático "on"	Destrabado automático "off"	Destrabado automático "off"
Cuarta	Trabado pasivo de puertas	Trabado activo de puertas	Trabado activo de puertas
Quinta	Activación pasiva	Activación activa	Activación pasiva
Sexta	Detección de voltaje "on"	Detección de voltaje "off"	Detección de voltaje "off"
Séptima	Temporizador inicio antirrobo 15 segundos	Temporizador inicio antirrobo 45 segundos	Temporizador inicio antirrobo 45 segundos
Octava	Función antirrobo "on"	Función antirrobo "off"	Función antirrobo "on"

Para programar las funciones seleccionables de la alarma:

Acción	Respuesta del sistema
Encienda la llave de contacto. Mueva el interruptor valet a la posición "on" y luego "off" 3 veces. A los 3 segundos, ponga la llave de contacto en "off"	Ninguna respuesta 1 chirrido LED 1 destello Chirrido corto, luego chirrido largo
Primero Luego en "on". Oprima el botón 1 del transmisor para cambiar. O bien,	1 chirrido = trabas de 1 segundo 2 chirridos = trabas de 3.5 segundos
Segundo Mueva el interruptor valet a la posición "on" y luego "off". Oprima el botón 1 del transmisor para cambiar. O bien,	2 chirridos = trabado automático "off" 1 chirrido = trabado automático "on"
Tercero Mueva el interruptor valet a la posición "on" y luego "off". Oprima el botón 1 del transmisor para cambiar. O bien,	2 chirridos = destrabado automático "off" 1 chirrido = destrabado automático. "on"
Cuarto Mueva el interruptor valet a la posición "on" y luego "off". Oprima el botón 1 del transmisor para cambiar. O bien,	2 chirridos = trabas activas 1 chirrido = trabas pasivas
Quinto Mueva el interruptor valet a la posición "on" y luego "off". Oprima el botón 1 del transmisor para cambiar. O bien,	1 chirrido = activación pasiva 2 chirrido = activación activa
Sexto Mueva el interruptor valet a la posición "on" y luego "off". Oprima el botón 1 del transmisor para cambiar. O bien,	2 chirridos = función detección de voltaje "off" 2 chirrido = función detección de voltaje "on"
Séptimo Mueva el interruptor valet a la posición "on" y luego "off". Oprima el botón 1 del transmisor para cambiar. O bien,	2 chirridos = temporizador inicio antirrobo 45 segundos 1 chirrido = temporizador inicio antirrobo 15 segundos
Octavo Mueva el interruptor valet a la posición "on" y luego "off". Oprima el botón 1 del transmisor para cambiar. O bien, Mueva el interruptor valet a la posición "on" y luego "off". O bien, Apague la llave de contacto.	2 chirridos = función antirrobo "on" 1 chirrido = función antirrobo "off"  Salga del modo de programación  Salga del modo de programación

**Nota:** Una vez que entre al modo de programación de funciones, no deje pasar más de 15 segundos entre un paso y el otro, en caso contrario se terminará la programación.

## INSTALACIÓN DE LOS COMPONENTES PRINCIPALES

### **Módulo de control:**

Elija un lugar de montaje adentro del compartimiento del pasajero (arriba y detrás del tablero de instrumentos) y fije con los dos tornillos provistos.

**No** instale el módulo en el compartimiento del motor dado que no es impermeable. Se debe evitar colocar la unidad directamente encima de componentes electrónicos instalados en fábrica. Estos componentes pueden producir interferencia de RF y provocar un rango de transmisión deficiente o un funcionamiento intermitente.

### **Sirena:**

Elija un lugar en el compartimiento del motor que no sea accesible desde abajo del vehículo.

El lugar elegido debe estar alejado o separado de las piezas calientes o móviles que hay en el compartimiento del motor. La sirena tiene que estar apuntando hacia abajo para evitar la retención de agua y el extremo ancho debe apuntar hacia afuera del compartimiento del motor para lograr una máxima distribución del sonido. Instale la sirena en el lugar elegido con los tornillos y el soporte provistos.

### **Interruptores de clavija para el capó y baúl:**

El interruptor de clavija que se incluye tiene por objeto proteger el capó y el baúl (o puerta trasera) del vehículo. Se debe montar el interruptor en una superficie metálica del vehículo que esté conectada a tierra. Es importante elegir un lugar adonde no llegue agua o donde no se junte agua, y evitar que se formen canaletas que goteen en las paredes paragolpes del capó y el baúl. Elija aquellos lugares que estén protegidos por juntas de goma cuando se cierre el capó o el baúl. Se puede instalar el interruptor de clavija con el soporte provisto, o se puede hacerlo directamente perforando un orificio de montaje de ¼ pulgadas de diámetro. Tenga en cuenta que cuando esté correctamente instalado, el émbolo del interruptor de clavija tiene que oprimirse por lo menos ¼ pulgadas al cerrarse el capó o el baúl.

### **Indicador L.E.D. para el tablero de instrumentos:**

El pequeño indicador LED rojo que viene con la unidad sirve como indicador visual del estado de la alarma. Se debe instalar en el tablero de instrumentos, en un lugar que sea bien visible para que se pueda ver fácilmente desde el asiento del conductor, sin provocarle distracción alguna, así como desde afuera del vehículo.

Una vez elegido el lugar de instalación, fíjese bien detrás del panel para ver el acceso a los cables y asegurarse de que el taladro no penetre ningún componente que haya al pasar por el panel. Perfore un orificio de ¼ pulgada y pase los cables rojo y azul del LED por el orificio desde la parte delantera del panel. Apriete con firmeza el LED hasta que quede bien asentado en el orificio de montaje.

### **Interruptor valet:**

Elija un lugar de montaje al que el operador del vehículo tenga fácil acceso. No es necesario que el interruptor esté escondido, sin embargo, siempre se recomienda hacerlo dado que proporciona una mayor grado de seguridad al vehículo. Se puede montar el interruptor en el panel inferior del tablero, perforando un orificio de ¼ pulgadas en el lugar deseado.

Asegúrese de fijarse detrás del tablero para comprobar si hay el suficiente espacio para la caja del interruptor y para confirmar que el taladro no vaya a dañar ninguno de los componentes existentes cuando pase a través del tablero de instrumentos. Además debe fijarse que la parte posterior del interruptor quede en un sitio accesible para cableado más adelante en la instalación.

### **Interruptor de captura manual/activación de la función antirrobo:**

Para este interruptor elija un lugar oculto que esté al alcance del conductor del vehículo. Se puede montar detrás de un panel blando del tablero de instrumentos, arriba del conductor debajo del apoya cabeza, debajo del asiento del conductor. Este interruptor debe quedar al alcance del conductor del vehículo. Los lugares mencionados no son visibles y solamente serán del conocimiento del conductor del vehículo para permitir su activación cuando sea necesario.

### **Detector de choque:**

Elija un lugar de montaje que sea sólido y esté ubicado en el muro contrafuego adentro del compartimiento para el pasajero. Para instalarlo use los dos tornillos provistos. Se puede colocar el detector sobre un soporte que ya tenga el tablero, usando correas para atar cables. En cualquiera de los dos métodos de montaje, asegúrese de dejar acceso al potenciómetro de ajuste de sensibilidad para usarlo más adelante en la instalación.



## CABLEADO DEL SISTEMA

### Conexiones de cableado del arnés de alimentación principal:

#### **Cable rojo con fusible:** FUENTE CONSTANTE DE BATERÍA DE +12 VCC

Este cable alimenta el módulo de control y controla la sensibilidad del circuito de detección de voltaje que detecta el encendido o apagado de una luz interior cuando se abre una puerta. Este cable detectará también la conmutación de las luces de estacionamiento o luces bajas y, en muchos casos, disparará la alarma cuando se encienda un ventilador de enfriamiento del radiador que sea electrónico y esté controlado por un termostato.

Al instalar este sistema en vehículos con “ventiladores posteriores” electrónicos, se recomienda desactivar el circuito de detección de voltaje.

En las aplicaciones de detección de voltaje, cuanto más cerca de la batería se encuentre el cable rojo, menos sensible será el circuito de detección de voltaje. Al mover este punto de conexión al panel de fusibles se aumentará la sensibilidad y al conectar el fusible a la luz de estribo del vehículo se proporcionará el máximo de sensibilidad del circuito detector de voltaje.

Cuando se cablea el módulo de control a los interruptores de clavija de todos los puntos de entrada, el circuito detector de voltaje debe estar desactivado. El circuito de control viene con la función seleccionable #6 apagada y no es necesario cambiarlo. Si se propone utilizar la función de detección de voltaje en vez de cableado, entonces cambie la función seleccionable #6 como se describe en la página 1 de este manual.

#### **Cable blanco:** SALIDA PULSADA DE +12 V CC PARA LAS LUCES DE ESTACIONAMIENTO (15 AMP MAX)

Se proporciona este cable para destellar las luces de estacionamiento del vehículo. Conecte el cable blanco al lado positivo de una de las luces de estacionamiento del vehículo.

#### **Cable rojo y blanco:** FUENTE DE CIRCUITO DE +12 V CC

Véase Cable rojo. Al conectar el cable rojo se completa la conexión para el cable rojo y blanco.

#### **Cable testigo blanco y negro:** SALIDA POSITIVA DE LA SIRENA (+)

Pase este cable por un ojal del muro contrafuego hacia el lugar de la sirena. Conecte el cable testigo blanco y negro de la sirena. Fije el cable blanco y negro al cable positivo de la sirena. Fije el cable negro de conexión a tierra de la sirena a la conexión a tierra del chasis.

#### **Cable violeta:** ENTRADA (+) DE ACTIVACIÓN DE PUERTAS

Si la luz de estribo de la puerta del vehículo conmuta +12 voltios cuando se abre la puerta (la mayoría de los automóviles Ford y algunos importados), debe conectar este cable a una salida positiva de uno de los interruptores de clavija de la puerta del vehículo. En la mayoría de los casos, el cable violeta tendrá que estar conectado solamente a un interruptor de puerta, independientemente de cuántas puertas tenga el vehículo

**ADVERTENCIA:** No use el cable violeta si el vehículo tiene interruptores de puertas del tipo salida a tierra (Véase Cable marrón.)

#### **Cable amarillo:** FUENTE DE ENCENDIDO DE (+) 12 VOLTIOS

Conecte este cable a una fuente del vehículo que esté activa cuando el interruptor de encendido se encuentre en las posiciones “on” (encendido) y “crank” (arranque). Cerciórese de que esta fuente esté apagada cuando la llave esté en la posición “off”.

#### **Cable azul oscuro:** SALIDA CON IMPULSOS Y DEMORADA DE 300 mA / CANAL 2

El cable azul oscuro proporciona una salida a tierra con impulsos mediante un canal de RF independiente del transmisor de llavero. Se trata de una salida de poca corriente con transistor y debe usarse solamente para impulsar una bobina de relé externa.

**ADVERTENCIA:** Al conectar el cable azul oscuro a la salida conmutada de alta corriente de los circuitos de desenganche del baúl y algunas entradas de activación remota del arranque, se dañará el módulo de control.

En estos casos, conecte el cable azul oscuro al terminal 86 de un relé AS-9256 (o relé equivalente de 30 A para automóviles) y conecte los otros contactos del relé para realizar la función elegida del canal 2.

#### **Cable negro:** FUENTE DE CONEXIÓN A TIERRA DEL CHASIS

Conecte este cable a una parte metálica y sólida del chasis del vehículo. No confunda este cable con el de la antena que es negro y fino y que sale del módulo de control.

**Cable anaranjado:** SALIDA DE CONEXIÓN A TIERRA DE 300 mA CUANDO ESTÁ ACTIVADO - DESACTIVACIÓN DEL ARRANCADOR (Se requiere un relé opcional)

Este cable controla el relé de bloqueo del arrancador. Conecte el cable anaranjado al terminal 86 del relé. Conecte el terminal 85 del relé a un cable de encendido del vehículo que esté activo cuando el interruptor de encendido pase a las posiciones "on" (encendido) y "crank" (arranque) y "off" (apagado) cuando la llave esté en "off". (Es aquí donde debe conectarse el cable amarillo de la alarma.)

Corte el cable de solenoide de arranque de poca corriente del vehículo y conecte un lado del cable cortado al terminal 87a del relé. Conecte el otro lado del cable cortado al terminal 30 del relé.

**Nota:** Se trata de una disposición de bloqueo del arrancador que normalmente está cerrada y cuando se corta la alimentación del sistema de seguridad, la función de desactivación del arrancador no funcionará, con lo cual se podrá arrancar el vehículo. Audiovox no recomienda usar el cable anaranjado para interrumpir nada más que el circuito de arranque del vehículo.

**Cable marrón:** ACTIVACIÓN DE LAS PUERTAS

Si la luz de estribo de la puerta del vehículo conmuta a tierra (-) cuando se abre la puerta (la mayoría de los automóviles GM e importados), debe conectar este cable a una salida negativa de uno de los interruptores de clavija de la puerta del vehículo.

**ADVERTENCIA:** No use el cable marrón si el vehículo tiene interruptores de puertas del tipo salida de +12 voltios. (Véase Cable violeta.)

**Cable verde oscuro:** Entrada (-) de activación instantánea Zona 2

Es el cable de entrada de activación instantánea o conexión a tierra. Este cable tiene que estar conectado a los interruptores de clavija del capó o baúl que se instalaron antes.

**Cable testigo amarillo y blanco:** SALIDA A TIERRA DE 300 mA DURANTE EL ESTADO ACTIVO ANTIRROBO (Se requiere un relé opcional.)

Este cable proporciona una salida progresiva para controlar un relé que, a su vez, controlará el circuito de apagado del vehículo (llave de contacto o combustible) durante la modalidad de activación de antirrobo. Conecte el cable testigo amarillo y blanco al terminal 86 de un relé. Conecte el terminal 85 del relé a un cable de encendido del vehículo que esté activo cuando la llave se encuentre en las posiciones "on" (encendido) y "crank" (arranque) y apagado cuando la llave esté en la posición "off" (apagado). (Es aquí donde debe conectarse el cable amarillo de la alarma.)

Corte el cable de alimentación de la bomba de combustible eléctrica o de la llave de contacto en un lugar conveniente del vehículo. Conecte un lado del cable cortado al terminal de relé 87. Conecte el otro lado del cable cortado al terminal 30 del relé.

**Nota:** Se trata de una disposición de bloqueo de la bomba de combustible / llave de contacto que normalmente está abierta y cuando se corta la alimentación del sistema de seguridad, la función de bloqueo seguirá funcionando y el vehículo no arrancará o dejará de funcionar. Audiovox recomienda efectuar múltiples pruebas y controles de las conexiones del vehículo en relación con este circuito, dado que una mala conexión impedirá que el vehículo arranque.

**Conector azul de 2 clavijas:** INTERRUPTOR VALET

Pase los cables negro y gris del conector de 2 clavijas del interruptor valet al módulo de control y enchufe el conector de dos clavijas en el correspondiente conector azul del módulo de control.

**Conector blanco de 2 clavijas:** INDICADOR LED MONTADO EN EL TABLERO

Pase los cables rojo y azul del conector blanco de 2 clavijas del LED al módulo de control y enchufe el conector al correspondiente conector blanco del módulo de control.

**Conector rojo de 2 clavijas:** CAPTURA MANUAL DE ANTIRROBO

Pase el conector rojo de 2 clavijas del interruptor de captura manual que se instaló antes al correspondiente conector de 2 clavijas del módulo de control.

**Conector blanco de 2 clavijas roja y verde:** SALIDAS DE TRABA DE PUERTAS

Estos cables proporcionan una salida a tierra pulsada al relé de control de trabas de puertas que viene de fábrica. La corriente máxima de estas salidas no debe exceder 300 mA.

#### **Trabas de puertas con conmutación a tierra de 3 cables**

En esta aplicación, el **cable rojo** proporciona un impulso a tierra durante la secuencia de activación o una **salida a tierra con impulsos**. Conecte el **cable rojo** al cable de señal a tierra de poca corriente del interruptor para trabar las puertas que viene instalado de fábrica al relé para trabar puertas de fábrica.

El **cable verde** proporciona un impulso a tierra durante la secuencia de desactivación o una **salida a tierra con impulsos**. Conecte el cable verde al cable de señal a tierra de poca corriente del interruptor para destrabar las puertas que viene instalado de fábrica al relé para destrabar puertas de fábrica.

#### **Trabas de puertas con conmutación positiva de 3 cables**

##### **Circuitos de inversión de la polaridad de 4 cables y**

##### **de control alternado de trabas de puertas de 12 voltios de 5 cables**

En estas aplicaciones, debe usarse la Interfaz para trabar las puertas AS 9159 (o relés equivalentes de 30A para automóviles). Consulte el Suplemento de cableado de trabas de puertas de AUDIOVOX para obtener información sobre la conexión adecuada de estos tipos de circuitos.

#### **FINALIZACIÓN DE LA INSTALACIÓN**

**Cable de la antena:** Cerciórese de extender el cable fino y negro de la antena en toda su extensión y amárrelo en un lugar donde no pueda dañarse. Evite envolver el cable alrededor de otros cables principales de alta corriente.

##### **Ajuste del detector de choque:**

Use un destornillador pequeño para girar el tornillo de ajuste totalmente en dirección contraria a las agujas del reloj. (NO apriete demasiado el tornillo. La rotación máxima para este ajuste es 270°). Cierre el capó y el baúl y active la alarma. Espere 6 segundos para que la zona de activación de accesorios se establezca, luego pegue un golpe seco en el paragolpes trasero con el puño cerrado, teniendo en cuenta la cantidad de fuerza necesaria para romper una ventana.

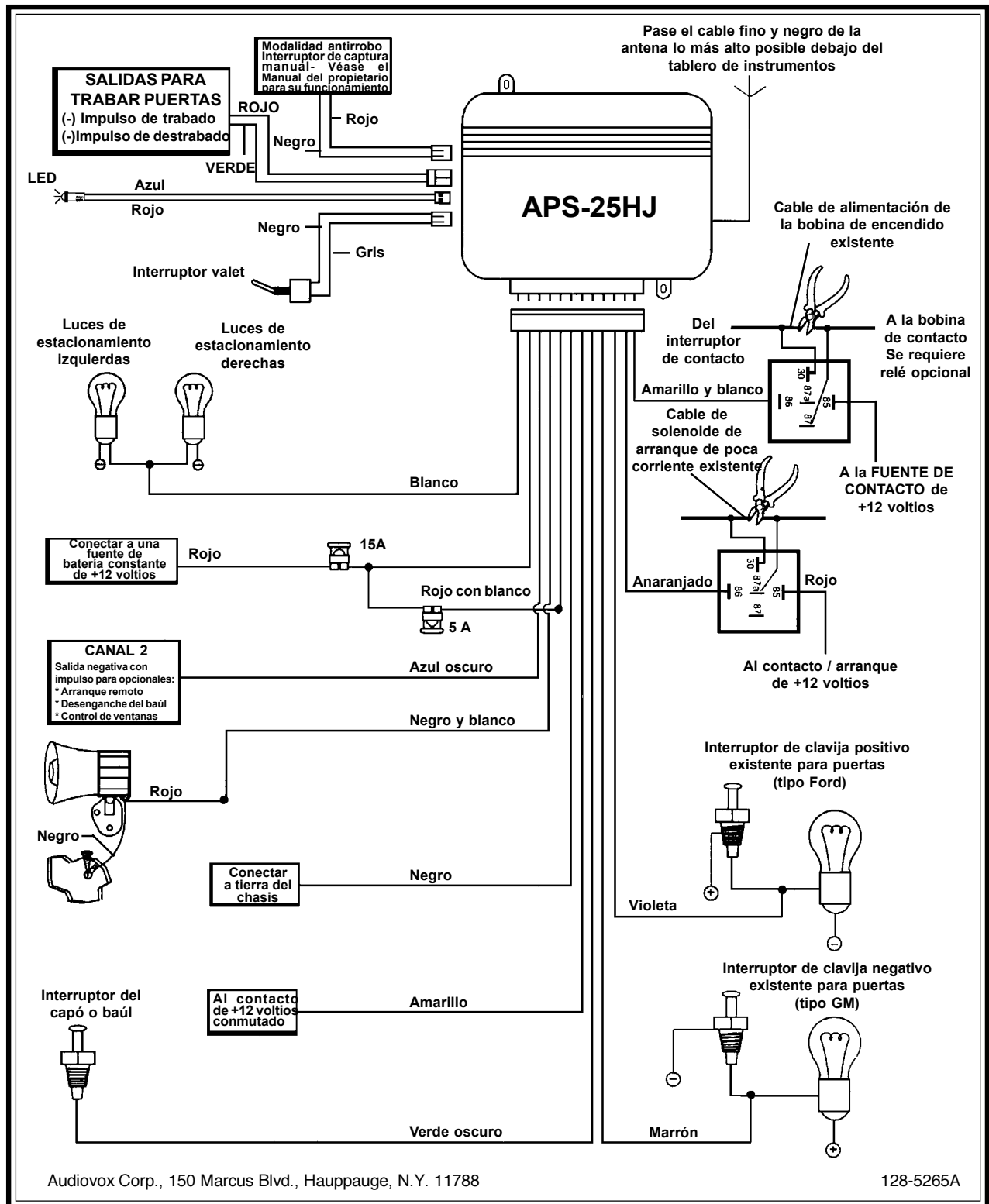
##### **PRECAUCIÓN: Nunca realice esta prueba en el vidrio del vehículo dado que lo puede romper.**

Gire el tornillo de ajuste en sentido horario (se aumenta la sensibilidad) alrededor de ¼ del giro total y vuelva a probar. Repita este procedimiento hasta que suene la alarma. En última instancia, un golpe seco en el paragolpes trasero disparará la alarma.

**ADVERTENCIA:** Si se ajusta demasiado la sensibilidad, se pueden producir falsas alarmas debido a las vibraciones de ruido de los camiones que pasen y los equipos pesados. Para reducir la sensibilidad, gire el tornillo de ajuste en dirección contraria a las agujas del reloj.

**Protección de los cables:** Envuelva siempre los cables de la alarma con algún tubo o con un envoltorio en espiral de cinta eléctrica. Fije el cableado en todo su trayecto con amarres para cables, lo que servirá para que los cables de la alarma no se dañen al caer en superficies móviles del vehículo que estén calientes o sean puntiagudas.

**Funcionamiento:** Dedique unos minutos a marcar lo que corresponda en los casilleros de opciones del manual para el propietario y a explicar detalladamente el funcionamiento del sistema a su cliente.



## Free Manuals Download Website

<http://myh66.com>

<http://usermanuals.us>

<http://www.somanuals.com>

<http://www.4manuals.cc>

<http://www.manual-lib.com>

<http://www.404manual.com>

<http://www.luxmanual.com>

<http://aubethermostatmanual.com>

Golf course search by state

<http://golfingnear.com>

Email search by domain

<http://emailbydomain.com>

Auto manuals search

<http://auto.somanuals.com>

TV manuals search

<http://tv.somanuals.com>