



AUDIOVOX™
CORPORATION

AS-PASS II

INSTALLATION GUIDE FOR:

ADAPTOR FOR GM PASS LOCK®

The AS-PASS II adaptor is an adjustable circuit designed to allow the interface of a remote car starter into a GM vehicle equipped with a Pass Lock theft deterrent system. The unit has on board an adjustable resistor with a range of 2.2 ohms to 17.9 K ohms.

INSTALLATION:

MOUNTING THE MODULE:

It is necessary to remove the top and bottom halves of the steering column shrouds to gain access to the Pass Lock wiring, and the (cranklow) bulb test wiring found at the ignition switch and cylinder. Mount the control module within 18" of this connection area.

NOTE: General Motors uses two different Pass Lock circuits in their vehicles. Pass Lock which is described below, and Pass Lock II which is described on the following page. Please review both wiring, and measuring methods prior to installation to determine which circuit is used in the particular vehicle you are installing this unit in. Pass Lock is used in 1996 and up "N" & "J" body vehicles. Pass Lock II is used in certain other vehicles since 1997.

PASS LOCK

Operation Notes:

The GM Pass Lock system introduces a resistor to the factory theft deterrent circuit during the ignition mode and drops the resistor during the crank (start) mode. In other words, while the ignition key turned to the on position the resistor is engaged, when the ignition switch is moved to the start position, the resistor drops out, when the key is released to the run position, the resistor is again engaged. The AS-PASS II operates in the same sequence. When the Remote Start Unit is initiated, the Light Blue, (Ign. 3 wire) provides a ground to the Grey wire, and + 12 volts to the Green wire of the AS-PASS II module. This introduces the resistor to the vehicles theft deterrent module. When the Remote Start Unit begins to crank (Start) the vehicle, the Brown wire of the AS-PASS II module receives + 12 volts causing the resistor to drop out. Once the vehicle has started, the Brown wire loses +12 volts, the resistor is reintroduced to the factory theft deterrent module, and the vehicle continues to run. The remote start unit at this point will either time out or the operator can elect to shut the system down via the remote.

During normal starting and driving conditions, the AS-PASS II module is not in operation. The vehicles system operates through the AS-PASS II module carried on the Blue and Red wires. These two wires form a series circuit with the vehicles data wire Black or Yellow.

MEASURING THE FACTORY RESISTOR:

1. Locate the data wire found in the three conductor ribbon cable extending from the ignition key cylinder. Typically the data wire is the outer Black or Yellow wire in this cable. Cut the data wire and strip a portion of the insulation on both sides of the cut wire. Connect the Red test lead of your Ohm Meter to the key cylinder side of the cut wire.
2. Locate the ground wire found in this same three conductor ribbon cable. Typically the center Black wire is ground. Strip back some insulation from this wire and connect the Black test lead of your Ohm Meter to this wire.
3. With your meter set to the OHM (Resistance) scale and the ignition key turned to the "ON" position, measure and make note of the resistance reading.
4. Turn the ignition key to the off position, wait 5 seconds, then turn the ignition key back on. Recheck the resistance measured and confirm it is the same reading as in step 3.
5. If the resistance measured in step 3 is greater than 9K ohms, cut the "Green Loop" wire on the module.

SETTING UP THE MODULE:

Prior to wiring the module to the vehicle, you can set the resistance to match the vehicles Pass Lock system's resistance. To do this; connect the Grey and Black wires of the control module to a Ground source. Connect the Green wire of the module to + 12 volts. Connect the Red test lead of your Ohm Meter to the small gauge Red wire of the control module, and connect the Black test lead of your Ohm Meter to The Black (ground) wire of the module. Using a small screwdriver, adjust the potentiometer accessed through the small hole found in the top of the control modules housing. Carefully adjust this potentiometers until your meter reading is the same as that measured in step 3 above.

WIRING THE MODULE:

2 PIN CONNECTOR:

RED: Connect the 14 AWG Red wire of the two pin connector to a fused +12 volt constant source found at the ignition switch.

YELLOW: If the remote start unit you are using does not have a second ignition one output and you require it, connect the 14 AWG Yellow wire of the two pin connector to the second (IGN 1) ignition source found at the ignition switch. This wire will have + 12 volts in the Start, and run positions. This wire does not have to be used in all applications. If not being used, remove this wire from the connector shell to prevent shorting.

BLACK: Connect the Black wire by splicing it to the ground wire of the three wire ribbon cable located previously in step 2 above.

BROWN: Connect the Brown wire to the start solenoid wire in the vehicle. This wire will have +12 volts when the ignition switch is turned to the start position and will have 0 volts in all other key switch positions.

YELLOW: Connect the Yellow wire to the Bulb Test (Cranklow) wire found at the ignition switch. This wire, typically black in color will have ground on it during the start mode only. This wire will be open circuit in all other key switch positions.

GREEN: Connect this input to the ignition one output of the vehicles ignition switch. This wire must get +12 volts when the ignition is in the run and start positions and 0 volts when the key is turned off.

BLUE: Connect the Blue wire to the key switch side of the data wire that was cut previously in step 1.

BEFORE MAKING THE FINAL CONNECTIONS:

Before connecting the Red and Grey wires, we suggest that you check once again the resistance of the module compared to the

vehicles Pass Lock resistance. To do this:

Temporarily connect the Grey wire to chassis ground.

Connect the Red test lead of your Ohm Meter to the Red wire of the control module.

Connect the Black test lead of your Ohm Meter to chassis ground.

Turn the ignition switch to the "on" position.

Confirm that the resistance reading is the same as measured in Step 3. Adjust the potentiometer as necessary to match the factory resistance reading taken earlier.

Turn the ignition switch to the off position and complete the following two connections.

RED: Connect the Red wire from the module to the vehicle side of the data wire that was cut previously in Step 1.

GREY: Connect the grey wire to a switched low wire (negative out when running) from the remote start module. This wire requires ground in the on, start, and run modes when the remote start is activated and open circuit when the vehicle is operating under its own power. Connect this wire to the Light Blue (Ignition 3) wire found on Remote Start Units.

PASS LOCK II

Operation Notes:

The Pass Lock II circuit changes in operation. In this circuit, the resistor is introduced to the Pass Lock II circuit only after the ignition key is turned to the start position then released. You will get no resistor reading when the key is turned to the on. The ignition must pass through the on and start position then released before a reading can be obtained. In addition, you will not find the crank low, (Bulb Test), wire on vehicles utilizing the Pass Lock II circuit.

The GM Pass Lock system introduces a resistor to the factory theft deterrent circuit after the ignition key has been turned to the start position then released.

The AS-PASS II operates in the same sequence. When the Remote Start Unit is initiated, the Light Blue, (Ign. 3 wire) provides a ground to the Grey 18 AWG and Yellow 14 AWG wires, and + 12 volts to the Green wire of the AS-PASS II module. This introduces the resistor to the vehicle's theft deterrent module. When the Remote Start Unit initiates, the system goes through the start cycle then introduces the resistor, allowing the vehicle to start and continue to run.

During normal starting and driving conditions, the AS-PASS II module is not in operation. During remote start operation, the vehicle's Pass Lock System operates through the AS-PASS II module, carried on the Blue and Red wires.

MEASURING THE FACTORY RESISTOR:

1. Locate the data wire found in the three conductor ribbon cable extending from the ignition key cylinder. Typically the data wire is the outer Yellow wire in this cable. Cut the data wire and strip a portion of the insulation on both sides of the cut wire. Connect the Red test lead of your Ohm Meter to the key cylinder side of the cut wire.
2. Locate the ground wire found in this same three conductor ribbon cable. Typically the center Black wire is ground. Strip back some insulation from this wire and connect the Black test lead of your Ohm Meter to this wire.
3. With your meter set to the OHM (Resistance) scale, turn the ignition switch to the start position momentarily then release the key.

Note: To prevent the vehicle from cranking, the gear selector can be moved to D or R during step 3.

Measure and make note of the resistance reading after the key is released.

4. Turn the ignition key to the off position, wait 5 seconds, then turn the ignition key again to the start position and release. Recheck the resistance measured and confirm it is the same as measured in step 3.
5. If the resistance measured in step 3 and 4 is greater than 9K ohms, cut the "Green Loop" wire on the module.

SETTING UP THE MODULE:

Prior to wiring the module to the vehicle, you can set the resistance to match the vehicles Pass Lock system's resistance. To do this; connect the Grey and Black wires of the control module to a Ground source. Connect the Green wire of the module to + 12 volts. Connect the Red test lead of your Ohm Meter to the small gauge Red wire of the control module, and connect the Black test lead of your Ohm Meter to The Black (ground) wire of the module. Using a small screwdriver, adjust the potentiometer accessed through the small hole found in the top of the control modules housing. Carefully adjust this potentiometers until your meter reading is the same as that measured in step 3&4 above.

WIRING THE MODULE FOR PASS LOCK II:

2 PIN CONNECTOR:

RED/WHITE: Connect the 14 AWG Red/White wire of the two pin connector to Chassis Ground as shown in the following diagram.

YELLOW: Connect the 14 AWG Yellow wire of the two pin connector to the 18 AWG Grey of the module, then connect both these wires to the Light Blue wire of the remote start unit as shown in the diagram.

BLACK: Connect the Black wire by splicing it to the ground wire of the three wire ribbon cable located previously in step 2 above.

Note: The black wire of the ribbon cable may not be suitable for operating the three relays on board the Pass Lock module. In this case connect the Black of the Pass Lock Module to chassis ground.

BROWN: The Brown 18 AWG wire is not used for the Pass Lock II installation.

YELLOW: The Yellow 18 AWG wire is not used for the Pass Lock II installation.

GREEN: Connect this input to the ignition one output of the vehicles ignition switch. This wire must get +12 volts when the ignition is in the run and start positions and 0 volts when the key is turned off.

BLUE: Connect the Blue wire to the key switch side of the data wire that was cut previously in step 1.

BEFORE MAKING THE FINAL CONNECTIONS:

Before connecting the Red wire, we suggest that you check once again the resistance of the module compared to the vehicles Pass Lock resistance. To do this:

Temporarily connect the Grey wire to chassis ground.

Connect the Red test lead of your Ohm Meter to the Red wire of the control module.

Connect the Black test lead of your Ohm Meter to chassis ground.

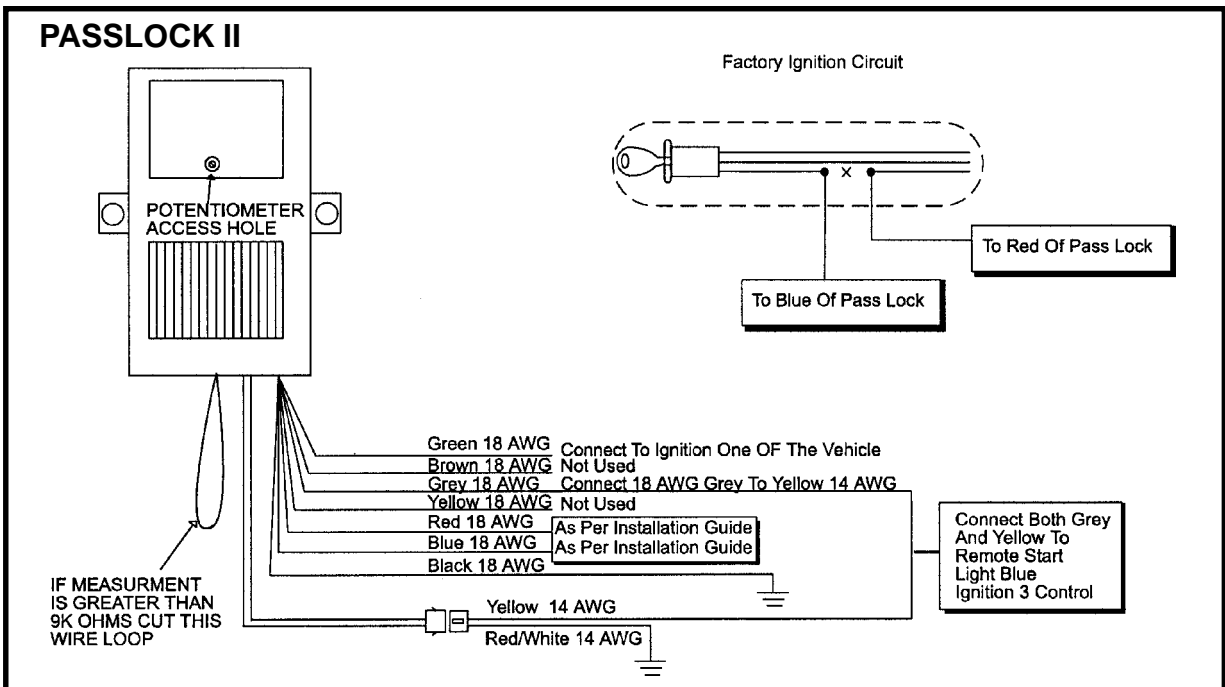
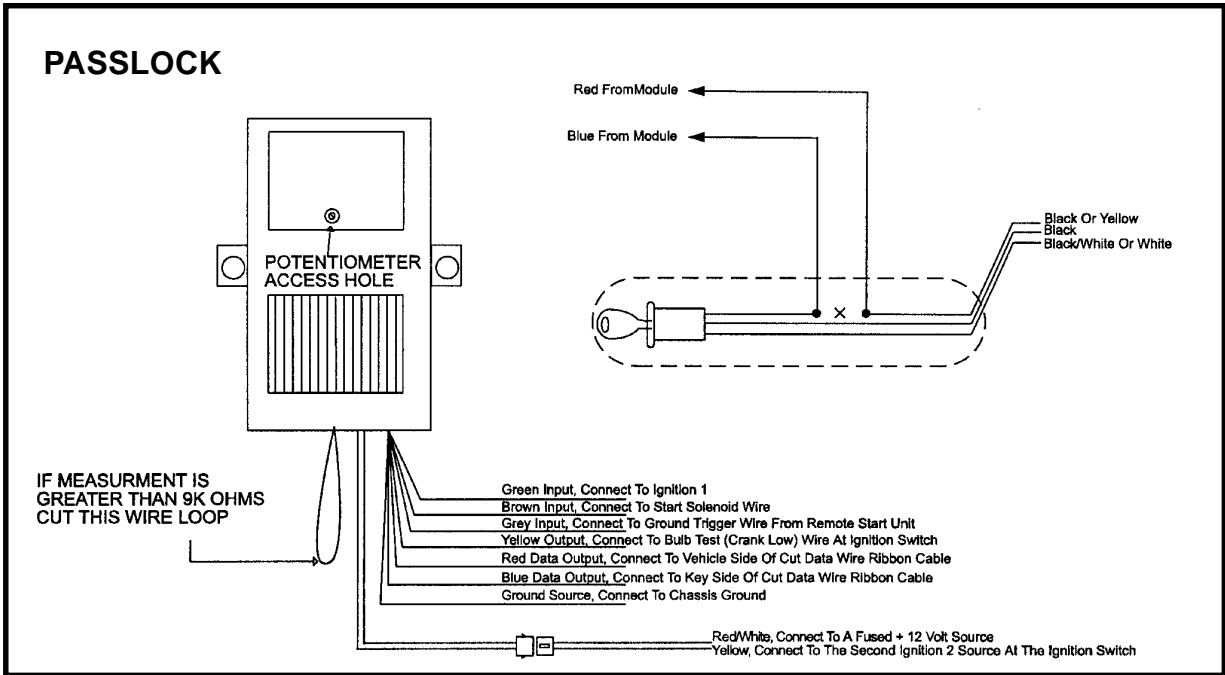
Turn the ignition switch to the "on" position.

Confirm that the resistance reading is the same as measured in Step 3. Adjust the potentiometer as necessary to match the factory resistance reading taken earlier.

Turn the ignition switch to the off position and complete the following two connections.

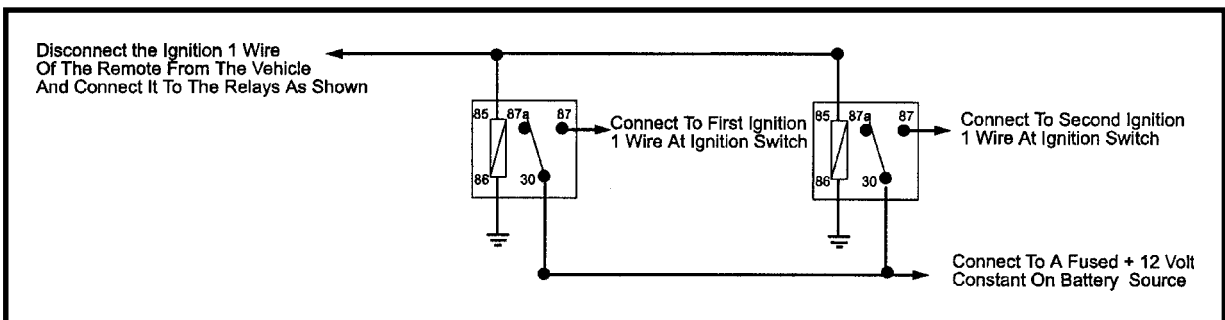
RED: Connect the Red wire from the module to the vehicle side of the data wire that was cut previously in Step 1.

GREY: Reconnect the grey wire



NOTE: Because in the Pass Lock II application, requires the Red/White and Yellow 14 AWG wires be used to control the on board relays of the Pass Lock module, if the remote start unit you are using does not have two true ignition circuits, (Wires that provide an output during the on and start sequences) it will be necessary in certain applications to add a second ignition circuit.

For these applications two relays can be connected as shown below:



Free Manuals Download Website

<http://myh66.com>

<http://usermanuals.us>

<http://www.somanuals.com>

<http://www.4manuals.cc>

<http://www.manual-lib.com>

<http://www.404manual.com>

<http://www.luxmanual.com>

<http://aubethermostatmanual.com>

Golf course search by state

<http://golfingnear.com>

Email search by domain

<http://emailbydomain.com>

Auto manuals search

<http://auto.somanuals.com>

TV manuals search

<http://tv.somanuals.com>