



## Model APS-255 Installation Manual

### SELECTABLE FEATURES

**Note :** When both Passive Arming and Voltage Sensing are selected, you must hardwire the driver's door pin switch in order to begin the passive arming sequence.

#### **RF Programmable Features :**

<u>Feature Selection</u>	<u>1 Chirp</u>	<u>2 Chirps</u>	<u>3 Chirps</u>	<u>4 Chirps</u>	<u>Default</u>
<u>1st Door L/UL</u>	1 Sec.	3.5 Sec.	1 Sec L, Dbl. U/L		1 Sec.
<u>2nd Accy Lock</u>	Auto Lock On	Auto Lock Off			Auto Lock Off
<u>3rd Accy. UL</u>	Auto UL Dr.	Auto UL All	Auto UL Off		Auto UL Off
<u>4th Passive Locks</u>	Passive	Active			Active
<u>5th Passive/Active Arm</u>	Passive Arm	Active Arm			Active Arm
<u>6th Voltage Sense</u>	Voltage Sense	Hardwire			Hardwire
<u>7th Siren/Horn</u>	Siren/Horn	Siren Only	Horn Only		Siren/Horn
<u>8th Horn Chirp</u>	10mS	16mS	30mS		16mS
<u>9th Override Method</u>	Custom Code	Valet			Valet
<u>10th Two Step Unlock</u>	On	Off			Off
<u>11th Chirp Delete From Tx</u>	On	Off			Off

#### **To program these selectable features;**

	<u>Action</u>	<u>System Response</u>
<u>First</u>	Turn ignition on Press and release the valet switch 3 times Within 3 seconds, turn ignition Off Then On Press transmitter Lock button to change Press transmitter Lock button to change <b>or</b>	No response 1 Chirp - LED 1 flash Short chirp, then long chirp 1 chirp = 1 second door locks 2 chirps = 3.5 second door locks 3 chirps = 1 sec. lock, dbl 1 sec. unlock
<u>Second</u>	Press and release the valet switch Press transmitter Lock button to change <b>or</b>	2 chirps = auto locks off 1 chirp = auto locks on
<u>Third</u>	Press and release the valet switch Press transmitter Lock button to change Press transmitter Lock button to change <b>or</b>	3 chirps = auto unlock off 1 chirp = auto unlock dr. 2 chirps = auto unlock all
<u>Fourth</u>	Press and release the valet switch Press transmitter Lock button to change <b>or</b>	2 chirps = active locks 1 chirp = passive locks
<u>Fifth</u>	Press and release the valet switch Press transmitter Lock button to change <b>or</b>	2 chirps = active arming 1 chirp = passive arming
<u>Sixth</u>	Press and release the valet switch Press transmitter Lock button to change <b>or</b>	2 chirps = hardwire 1 chirp = voltage sense
<u>Seventh</u>	Press and release the valet switch Press transmitter Lock button to change Press transmitter lock button to change	1 chirp = siren and horn output 2 chirps = siren output only 3 chirps = horn output only

	<b>or</b>	
<u>Eight</u>	Press and release the valet switch	2 chirps = horn chirp output 16mS
	Press transmitter Lock button to change	3 chirps = horn chirp output 30mS
	Press transmitter Lock button to change	1 chirp = horn chirp output 10 mS
	<b>or</b>	
<u>Ninth</u>	Press and release the valet switch	2 chirps = valet switch override operation
	Press transmitter Lock button to change	1 chirp = custom code override operation
	<b>or</b>	
<u>Tenth</u>	Press and release the valet switch	2 chirps = 2 step unlock off
	Press transmitter Lock button to change	1 chirp = 2 step unlock on
	<b>or</b>	
<u>Eleventh</u>	Press and release the valet switch	2 chirps = chirp delete from transmitter inactive
	Press transmitter Lock button to change	1 chirp = chirp delete from transmitter active
	Press and release the valet switch	Exit program mode
	<b>or</b>	
	Turn ignition key off	Exit program mode

**Note:** Once you enter the feature programming mode, do not allow more than 30 seconds to pass between steps, or the programming will be terminated.

## **INSTALLATION OF MAJOR COMPONENTS**

### **Control Module :**

Select a mounting location inside the passenger compartment ( up behind the dash ), and secure using the two screws provided. The control module can also be secured in place using cable ties.

**Do not** mount the control module in the engine compartment, as it is not waterproof. You should also avoid mounting the unit directly onto factory installed electronic components. These components may cause RF interference, which can result in poor transmitter range or intermittent operation.

### **Siren :**

Select a mounting location in the engine compartment that is well protected from access below the vehicle. Avoid areas near high heat components or moving parts within the engine compartment. To prevent water retention, the front or sounding end of the siren must be pointed downward when mounted.

Mount the siren to the selected location using the screws and bracket provided.

### **Hood or Trunk Pin Switch :**

A pin switch is included for use in protecting the hood or trunk ( or hatchback ) of the vehicle. The switch must always be mounted to a grounded, metal surface of the vehicle. It is important to select a location where water cannot flow or collect and to avoid all drip gutters on hood and trunk fender walls. Choose locations that are protected by rubber gaskets when the hood or trunk lid is closed.

The pin switch can be mounted using the bracket provided, or direct mounted by drilling a ¼ " diameter mounting hole. Keep in mind that when properly mounted, the plunger of the pin switch should depress at least ¼ " when the hood or trunk lid is closed.

### **Dash Mounted LED :**

A small red LED is included that will serve as a visual indicator of the alarm status. It should be installed in the dash, located where it can be easily seen from outside the vehicle, yet not be distracting to the driver.

Once a location has been selected, check behind the panel for wire routing access and to confirm the drill will not damage any existing components as it passes through the panel.

Drill a ¼ " diameter hole and pass the red and blue wires from the LED through the hole, from the front of the panel. Firmly press the body of the LED into the hole until fully seated.

### **Valet Switch :**

Select a mounting location for the switch that is easily accessible to the driver of the vehicle. The switch does not have to be concealed, however, concealing the switch is always recommended, as this provides an even higher level of security to the vehicle.

The valet switch can be mounted to the lower side of the dash by drilling a ¼ " diameter hole in the selected location.

Be sure to check behind the dash for adequate clearance for the body of the switch and to confirm that the drill will not damage any existing components as it passes through the dash. You should also make certain that the back of the switch is accessible for wiring later in the installation.

**Shock Sensor :**

Select a solid mounting surface for the shock sensor on the firewall inside the passenger compartment and mount the sensor using the two screws provided. The shock sensor can also be secured to any fixed brace behind the dash using tie straps.

Whichever mounting method is selected, make certain that the sensitivity adjustment is accessible for use later in the installation.

**WIRING THE SYSTEM****Large 15 Pin Edge Connector :****White Wire : + 12 VDC PULSED PARKING LIGHT OUTPUT ( 15 AMP MAX )**

This wire is provided to flash the vehicle's parking lights. Connect the white wire to the positive side of one of the vehicle's parking lights.

**Red Fused Wire : + 12 VDC CONSTANT BATTERY SOURCE**

This wire controls the sensitivity of the voltage sensing circuit, which detects the turning on of an interior light when a door is opened. It will also detect the switching on of parking or headlamps and in many cases will trigger the alarm when a thermostatically controlled electronic radiator cooling fan switches on.

When installing this system into vehicles with electronic "after fans" , it is recommended you disable the voltage sense circuit.

In voltage sensing applications, the closer to the battery that the red wire is connected, the less sensitive the voltage sense circuitry will be. Moving this connection point to the fuse panel will increase the sensitivity, and connecting to the courtesy lamp fuse in the vehicle will provide maximum sensitivity of the voltage sense circuit.

When hardwiring the control module, the voltage sense circuit must be disabled. After wiring of the control module and connecting the Red wire to a fused battery source, be certain program feature # six is set for Hardwire.

**Dark Blue Wire : DELAYED 300 mA PULSED OUTPUT / CHANNEL 3**

The dark blue wire pulses to ground via an independent RF channel from the keychain transmitter. This is a transistorized, low current output and should only be used to drive an external relay coil.

**WARNING:** Connecting the dark blue wire to the high current switched output of trunk release circuits, some remote start trigger inputs, will damage the control module.

Connect the dark blue wire to terminal 86 of the AS - 9256 relay (or equivalent 30A automotive relay) and wire the remaining relay contacts to perform the selected function of channel 3.

**White w/ Black Trace Wire : POSITIVE OUTPUT TO SIREN**

Route this wire through a rubber grommet in the firewall, and to the siren location.

Connect the white / black wire to the positive wire of the siren. Secure the black ground wire of the siren to chassis ground.

**Black Wire : CHASSIS GROUND**

Connect this wire to a solid, metal part of the vehicle's chassis. Do not confuse this wire with the thin black antenna wire that exits the control module independently.

**Yellow Wire : + 12 VDC IGNITION SOURCE**

Connect this wire to a source that is live when the key is in the on and crank positions. Be sure that this source is off when the key is in the off position.

**Dark Green Wire : ( - ) INSTANT TRIGGER ZONE**

This is an instant on ground trigger wire. It must be connected to the previously installed hood and trunk pin switches.

**Brown Wire : - DOOR TRIGGER**

If the vehicle's courtesy light switches have a ( - ) ground output when the door is opened (GM and most Imports), you must connect this wire to the negative output from one of the door switches.

**WARNING : Do not use the brown wire if the vehicle has + 12 volt output type door switches.  
( see Purple Wire ).**

**Purple Wire : + DOOR TRIGGER**

If the vehicle's door courtesy light switches have a + 12 volt output when the door is opened ( most Fords and some Imports ), you must connect this wire to the positive output from one of the door switches. In

most cases, the purple wire will only need to be connected to one door switch, no matter how many doors the vehicle has.

**WARNING : Do not use the purple wire if the vehicle has ground output type door switches. ( see Brown Wire ).**

**Orange Wire : 300 mA GROUND OUTPUT WHEN ARMED - N. C. STARTER DISABLE**

This wire is provided to control the starter cut relay. Connect the orange wire to terminal 86 of the relay. Connect relay terminal 85 to an ignition wire in the vehicle that is live when the key is in the on and crank positions, and off when the key is in the off position. ( This is where the yellow wire from the alarm should be connected ).

Cut the low current starter solenoid wire in the vehicle, and connect one side of the cut wire to relay terminal 87A. Connect the other side of the cut wire to relay terminal 30.

**Note : This is a normally closed starter cut arrangement and when power is removed from the security system, the starter disable feature will not operate, allowing the vehicle to start. Audiovox does not recommend using the Orange wire to interrupt anything but the starting circuit of the vehicle.**

**Black w/White Trace Wire: LOW CURRENT NEGATIVE HORN OUTPUT (300mA MAX CURRENT)**

The Black w/White trace wire provides a 300mA pulsed output to beep the vehicle's horn. This low current pulsed output should only be connected to the low current switched ground output from the vehicle's horn switch. If the vehicle switches high current ground or + 12 volts to the horn, a relay must be used to operate the vehicle horn. Connect the Black w/White trace wire to terminal #86 of a VF45F11 P&B or equivalent 30A automotive relay. Connect terminal #85 to a fused + 12 volt source. Connect the remaining relay contacts 87, 87a and 30 to perform the switching function the vehicle's horn circuit requires.

**Dark Blue w/Black Trace Wire: Alternate Channel 3 Output (Dbl. Push Required)**

This wire is controlled from the transmitter button programmed to the receiver's channel 3. By double pressing this the transmitter button, this output will become active for 1 second. This is a transistorized, low current ( 300 mA ) output, designed to provide an output only when the transmitter is intentionally operated, such as is the case with remote start add on modules. If you require more than 300mA drive from this output, you must drive an external relay coil, and arrange the relays contacts to perform the specified function.

**Dark Green w/ White Trace Wire : Entry Illumination ( 300 mA max. )**

The dark green w/ white trace wire provides a 30 second ground signal whenever the system is disarmed, and pulses ground whenever the system is triggered. It should be used to provide the ( optional ) entry lighting and to flash the vehicle's dome light while the alarm is sounding. This is a transistorized, low current output and should only be used to drive an external relay coil.

Connect the dark green with white trace wire to terminal 86 of the AS - 9256 relay ( or equivalent 30 A automotive relay ) and wire the remaining relay contacts according to the polarity of the dome light circuit in the vehicle.

**NOTE : When wiring this feature in vehicles with factory equipped delay lighting circuits, it is best to connect to the output of the timer which feeds the dome light, rather than at the door switch. This will ensure that the dome light pulses when the alarm is triggered.**

**Light Green Wire : ( - ) Instant Trigger Zone 1**

This is an instant on ground trigger wire. This wire ( zone ) should be reserved for connection to optional ground output trigger devices such as motion and / or shock impact sensors.

**2 Pin Blue Connector : VALET SWITCH**

Route the grey and black wires in the 2 pin connector from the valet switch to the control module, and plug it into the mating blue connector on the side of the module.

**2 Pin White Connector : DASH MOUNTED LED**

Route the red and blue wires in the 2 pin white connector from the LED to the control module, and plug it into the mating white connector on the side of the module.

**4 Pin White Connector : SHOCK SENSOR**

Route the red, black, blue, and green wires in the 4 pin white connector from the shock sensor to the control module, and plug one end into the shock sensor, and the other end into the mating white connector on the side of the module.

### **Red / Green / Red w/Black Trace 3 Pin White Connector : Door Lock Outputs**

The Red and Green wires will provide either a pulsed ground output to the factory door lock control relay, or a pulsed + 12 volt output to the factory door lock control relay. In either case, the maximum current draw through these outputs must not exceed 300 mA. The Red w/Black trace wire will provide a pulsed ground only and will only provide an output when the unlock button of the transmitter is pressed a second time after a first unlock command was issued. This is used for second step unlock or all doors unlock in a two step circuit. In this arrangement, Red is used to control the drivers door unlock relay, and the Red/Black will be used to control unlock of all other doors.

### **3 Wire Ground Switched Single Step Door Locks**

In this application, the **red wire** provides a ground pulse during arming, or the **pulsed ground lock** output. Connect the red wire to the wire that provides a low current ground signal from the factory door lock switch to the factory door lock control relay.

The **green wire** provides a ground pulse during disarming, or the **pulsed ground unlock** output. Connect the green wire to the wire that provides a low current ground signal from the factory door unlock switch to the factory door lock control relay.

Red/Black Not Used.

### **3 Wire Ground Switched 2 Step Door Locks**

In this application, the **red wire** provides a ground pulse during arming, or the **pulsed ground lock** output. Connect the red wire to the wire that provides a low current ground signal from the factory door lock switch to the factory door lock control relay.

The **green wire** provides the first ground pulse during disarming, or the **drivers door pulsed ground unlock** output. Connect this wire to the **drivers door unlock** relay that requires a low current ground signal to unlock only the drivers door. If the vehicle does not have a separate drivers door relay, one will have to be added. Locate the drivers door unlock motor wire and cut it at a convenient location to allow wiring of an optional relay. Connect the door side of the cut wire to terminal 30 of the optional relay added. Connect the vehicle side of the cut wire to terminal 87a of the optional relay added. Connect the green wire of the 3 pin harness to terminal 86 of the optional relay added. Connect terminal 85 of the optional relay added to a fused constant + 12 volt source. Most vehicles door lock/unlock motor legs rest at ground, and switch +12 volts to the door lock/unlock motor legs for operation, if this is the case in the vehicle you are working on, connect the remaining terminal, 87, to a fused + 12 volt source. In the rare instance that the vehicle door lock/unlock motor legs rest at + 12 volts and switches ground to the door lock/unlock motors, connect the remaining terminal, 87, to chassis ground.

The Red/Black wire provides a pulse ground output when the unlock button of the transmitter is pressed a second time after disarming. Connect the Red/Black wire to the wire that provides a low current ground signal from the factory door unlock switch to the factory door lock control relay.

### **3 Wire Positive Switched Door Locks**

In this application, the **red wire** provides a positive pulse during disarming, or the **pulsed + 12 volt unlock** output. Connect the red wire to the wire that provides a low current positive signal from the factory door unlock switch to the factory door lock control relay.

The **green wire** provides a positive pulse during arming, or the **pulsed + 12 volt lock** output. Connect the green wire to the wire that provides a low current positive signal from the factory door lock switch to the factory door lock control relay.

### **3 Wire Positive Switched 2 Step Door Locks**

The **green wire** provides a positive pulse during arming, or the **pulsed + 12 volt lock** output. Connect the green wire to the wire that provides a low current positive signal from the factory door lock switch to the factory door lock control relay.

The **red wire** provides a positive pulse during disarming, or the **drivers door pulsed positive unlock** output. Connect this wire to the **drivers door unlock** relay that requires a low current positive signal to unlock only the drivers door. If the vehicle does not have a separate drivers door relay, one will have to be added. Locate the drivers door unlock motor wire and cut it at a convenient location to allow wiring of an optional relay. Connect the door side of the cut wire to terminal 30 of the optional relay added. Connect the vehicle side of the cut wire to terminal 87a of the optional relay added. Connect the red wire of the 3

pin harness to terminal 86 of the optional relay added. Connect terminal 85 of the optional relay added to chassis ground. Most vehicles door lock/unlock motor legs rest at ground, and switch +12 volts to the door lock/unlock motor legs for operation, if this is the case in the vehicle you are working on, connect the remaining terminal, 87, to a fused + 12 volt source. In the rare instance that the vehicle door lock/unlock motor legs rest at + 12 volts and switches ground to the door lock/unlock motors, connect the remaining terminal, 87, to chassis ground.

The Red/Black wire provides a pulse ground output when the unlock button of the transmitter is pressed a second time after disarming. Because the vehicle you are working on requires a positive pulse from the factory door lock switch to the factory door lock control relay, you will have to add a relay to invert the output polarity of this wire. Connect the Red/Black wire to terminal 86 of the optional added relay. Connect terminal 85 & 87 to a fuse + 12 volt source. Connect terminal 30 to the low current door unlock wire from the factory door switch to the door unlock control relay.

### **Resistive Circuits, As Well As 4 Wire Polarity Reversal and 5 Wire Alternating 12 Volt**

#### **Door Lock Control Circuits**

These applications require the use of additional components which may include relays, fixed resistors, or for convenience, the AS 9159 Door Lock Interface. Refer to the AUDIOVOX Door Lock Wiring Supplement and or the Audiovox fax back service for information on your particular vehicle for properly connecting to these types of circuits.

### **COMPLETING THE INSTALLATION**

**Antenna Wire :** Be sure to extend the thin black antenna wire to it's full length and cable tie into place where it cannot be damaged. Avoid wrapping this wire around major, high current wire looms.

**Adjusting the Shock Sensor :** If used, the sensitivity of the pre - detect circuit is automatically set 30% less sensitive than the full trigger circuit.

Using a small screwdriver, gently turn the adjustment screw fully counterclockwise. ( DO NOT over turn this screw. Maximum rotation for this adjustment is 270° ). Close the hood and trunk lids, and arm the alarm. Wait 6 seconds for the accessories trigger zone to stabilize, then firmly strike the rear bumper with the side of a closed fist considering the amount of force required to break a window.

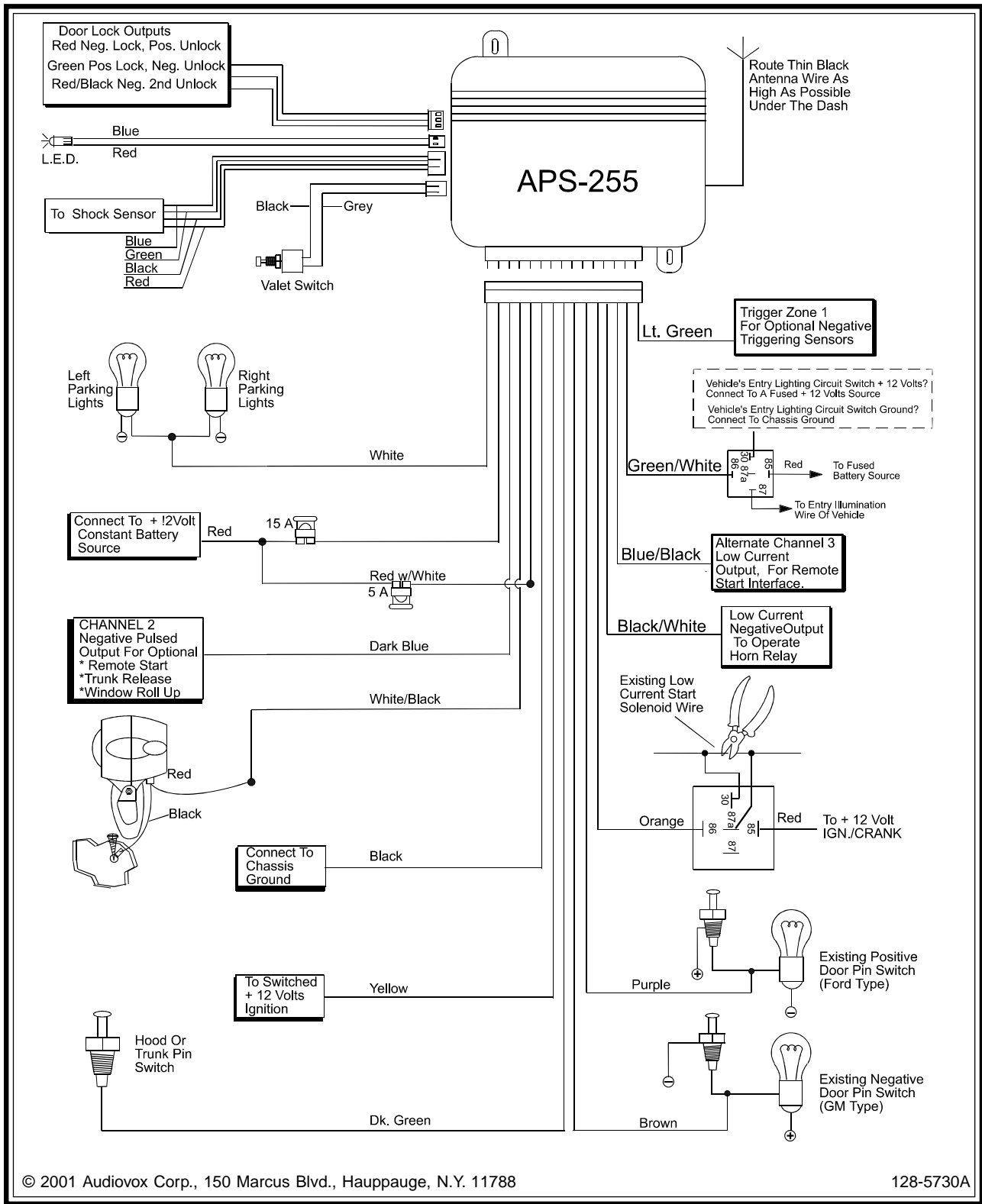
**CAUTION : Never perform this test on the vehicle's glass, as you may break the window.**

Turn the adjustment screw clockwise ( increasing sensitivity ) about ¼ turn and re - test. Repeat this procedure until the alarm sounds. Ultimately, one firm strike to the rear bumper will cause the alarm to emit pre - detect warning tones.

**WARNING !** Setting the sensitivity too high can cause false alarms due to noise vibrations from passing trucks and heavy equipment. To decrease sensitivity, turn the adjustment screw counter clockwise.

**Wire Dressing :** Always wrap the alarm wires in convoluted tubing, or with a spiral wrap of electrical tape. Secure these looms along the routing using cable ties. This will ensure that the alarm wires are not damaged by falling onto hot or sharp moving surfaces in the vehicle.

**Operation :** Take a few moments to check off the appropriate option boxes in the owner's manual, and to fully explain the operation of the system to your customer.



**SÉLECTION DES FONCTIONS**

**Remarque:** Lorsqu'on choisit à la fois l'armement passif et la détection de tension, il faut que le contacteur de la porte du conducteur soit compris dans le circuit de montage pour que la séquence d'armement passif puisse commencer.

**Fonctions programmables sur les canaux de radiofréquence:**

Fonction	Une tonalité	Deux tonalités	Trois tonalités	Défaut
Première	Verrouillage des portes après 1 secondes	Verrouillage des portes après 3,5 secondes	Verrouillage 1 secondes Déverrouillage 2 X 1 secondes	1 Secondes
Deuxième	Verrouillage automatique sur marche. Activée	Verrouillage automatique sur marche. Inhibés		Verrouillage automatique sur Marche. Inhibés
Troisième	Ouvrir automatique de la porte de conducteurs sur l'arrêt	Ouvrir automatique de toutes les portes sur l'arrêt	Deverrouillage automatique sur arrêt Inhibés.	Déverrouillage automatique sur arrêt. Inhibés
Quatrième	Verrouillage de porte passif	Verrouillage de porte actif		Verrouillage de porte actif
Cinquième	Armement passif	Armement actif		Armement passif
Sixième	Détection de tension activée	Détection de tension inhibés		Détection de tension inhibés
Septième	Tonalité de la sirène et du klaxon actifs	Tonalité de sirène seulement	Tonalité de klaxon seulement	Sirène et klaxon actif
Huitième	Durée 10mS de gazouillement de klaxon	Durée 16mS de gazouillement de klaxon	Durée 30mS de gazouillement de klaxon	Durée 16mS de gazouillement de klaxon
Neuvième	Code privé de méthode de priorité	Méthode simple de priorité de commutateur de valet		Méthode simple de priorité de commutateur de valet
Dixième	Déverrouillage la porte d'opérateurs d'abord, puis toutes les portes	Toutes les portes déverrouillage		Toutes les portes déverrouillage
Onzième	l'opération du gazouillement d'arm/disarm quand l'émetteur est activé est opérationnelle	Neutralisez l'opération de gazouillement d'arm/disarm quand l'émetteur est activé		l'opération du gazouillement d'arm/disarm quand l'émetteur est activé est opérationnelle

**Pour programmer ces fonctions au choix:**

	<b>Action</b>	<b>Réponse du système</b>	<b>Réponse du LED</b>
	Tourner la clé de contact sur Marche. Appuyez sur et libérez le commutateur de Valet trois fois. Arrêtez le commutateur d'allumage, Dans un délai de trois secondes, tourner la clé de contact sur Marche	Aucune réponse  1 tonalité 1 1 longue tonalité	La DEL 1 clignote
<u>Première</u>	Appuyer sur le bouton 1 du transmetteur pour change Appuyer sur le bouton 1 du transmetteur pour change Appuyer sur le bouton 1 du transmetteur pour change	a suivi de 1 tonalité courte. 1 tonalité = Verrouillage de porte en 1 seconde 2 tonalités = Verrouillage de porte en 3,5 secondes 3 tonalités = Verrouillage de porte en 1 seconde déverrouillage 2 X 1 seconde	1 clignotements
<u>Deuxième</u>	Appuyez sur et libérez le commutateur de valet une fois Appuyer sur le bouton 1 du transmetteur pour changer ou	2 tonalités = Verrouillage automatique sur marche. Inhibés 1 tonalité = Verrouillage automatique sur marche. Activée	2 clignotements
<u>Troisième</u>	Appuyez sur et libérez le commutateur de valet une fois Appuyer sur le bouton 1 du transmetteur pour changer Appuyer sur le bouton 1 du transmetteur pour changer ou	3 tonalités = Deverrouillage automatique sur arrêt. Inhibés 1 tonalité = Ouvrir automatique de la porte de conducteurs sur l'arrêt 2 tonalités = Ouvrir automatique de toutes les portes sur l'arrêt	3 clignotements
<u>Quatrième</u>	Appuyez sur et libérez le commutateur de valet une fois Appuyer sur le bouton 1 du transmetteur pour changer ou	1 tonalité = Verrouillage de porte passif 2 tonalités = Verrouillage de porte actif	4 clignotements
<u>Cinquième</u>	Appuyez sur et libérez le commutateur de valet une fois Appuyer sur le bouton 1 du transmetteur pour changer ou	1 Tonalité = Armement passif 2 Tonalités = Armement actif	5 clignotements
<u>Sixième</u>	Appuyez sur et libérez le commutateur de valet une fois Appuyer sur le bouton 1 du transmetteur pour changer ou	1 Tonalité = Détection de tension activée 2 Tonalité = Détection de tension inhibés	6 clignotements
<u>Septième</u>	Appuyez sur et libérez le commutateur de valet une fois Appuyer sur le bouton 1 du transmetteur pour changer Appuyer sur le bouton 1 du transmetteur pour change ou	1 Tonalité = Tonalités de la sirène et du klaxon actifs 2 Tonalités = Tonalités de sirène seulement 3 Tonalités = Tonalités du klaxon seulement	7 clignotements
<u>Huitième</u>	Appuyez sur et libérez le commutateur de valet une fois Appuyer sur le bouton 1 du transmetteur pour changer Appuyer sur le bouton 1 du transmetteur pour changer ou	1 Tonalité = Durée 10mS de gazouillement de klaxon 2 Tonalités = Durée 16mS de gazouillement de klaxon 3 Tonalités = Durée 30mS de gazouillement de klaxon	8 clignotements
<u>Neuvième</u>	Appuyez sur et libérez le commutateur de valet une fois Appuyer sur le bouton 1 du transmetteur pour changer ou	1 Tonalité = Code privé de méthode de priorité 2 Tonalités = Méthode simple de priorité de commutateur de valet	9 clignotements



<b>Action</b>	<b>Réponse du système</b>	<b>Réponse du LED</b>
<p><u>Dixième</u> Appuyez sur et libérez le commutateur de valet une fois Appuyer sur le bouton 1 du transmetteur pour changer</p>	<p>1 Tonalité = Déverrouillage la porte d'opérateurs d'abord, puis toutes les portes 2 Tonalités = Toutes les portes déverrouillage</p>	10 clignotements
<p><u>Onzième</u> Appuyez sur et libérez le commutateur de valet une fois Appuyer sur le bouton 1 du transmetteur pour changer</p>	<p>1 Tonalité = l'opération du gazouilleme nt d'arm/disarm quand l'émetteur est activé est opérationnelle 2 Tonalités = Neutralisez l'opération degazouilleme nt d'arm/disarm quand l'émetteur est activé</p>	11 clignotements
<p>Appuyez sur et libérez le commutateur de valet une fois</p>	Sortie du mode de programmation	
<p>Arrêtez le commutateur d'allumage</p>	Sortie du mode de programmation	

**Remarque:** Une fois que l'on est entré dans le mode de programmation, ne pas laisser plus de 15 secondes s'écouler entre les opérations, sinon la programmation se termine automatiquement.

## **INSTALLATION DES COMPOSANTS PRINCIPAUX**

### **MODULE DE COMMANDE:**

Choisir un emplacement de fixation à l'intérieur du compartiment passager (en haut sous le tableau de bord) et serrer à l'aide des deux vis fournies. On peut également fixer le module de commande en place à l'aide de serre-câbles. **Ne pas** monter le module de commande dans le compartiment moteur, car il n'est pas étanche. Ne pas non plus monter l'appareil directement sur des composants électroniques installés d'usine. Ces composants risquent de provoquer des perturbations radio-fréquence dont les conséquences possibles sont une faible gamme de portée ou un fonctionnement intermittent.

### **SIRÈNE:**

Choisir sur le compartiment moteur un emplacement de montage bien protégé de l'accès par le dessous du véhicule. Éviter les zones à proximité de composants à température élevée ou de pièces en mouvement à l'intérieur du compartiment moteur. Pour empêcher toute rétention d'eau, orienter le bord évasé de la sirène vers le bas lors du montage. Monter la sirène à l'emplacement choisi en utilisant les vis et le support fournis.

### **CONTACTEUR DE CAPOT OU DE COFFRE:**

Un contacteur est fournis pour permettre la protection du capot ou du coffre (ou berline avec hayon arrière) du véhicule. Toujours monter le interrupteur sur une surface métallique mise à la masse du véhicule. Il est important de choisir un emplacement dans lequel l'eau ne peut pas couler ou s'accumuler et d'éviter toutes les gouttières possibles dans les parois des ailes à l'intérieur du capot ou du coffre. Choisir les emplacements protégés par des joints en caoutchouc lorsque le capot ou le couvercle du coffre sont fermés. On peut monter le contacteur en utilisant la support, ou directement, en perçant un trou de fixation de 6,35 mm (1/4 po). Ne pas oublier que, s'il est correctement monté, le plongeur doit s'enfoncer d'au moins 6,35 mm (1/4 po) une fois le capot ou le coffre fermés.

### **VOYANT DEL MONTÉ SUR TABLEAU DE BORD:**

Le petit voyant rouge DEL inclus sert d'indicateur visuel de l'état de l'alarme. L'installer sur le tableau de bord, à un endroit où il se voit facilement de l'extérieur du véhicule, sans toutefois gêner le conducteur. Une fois l'emplacement choisi, s'assurer que l'acheminement des câbles est possible et que le foret n'endommagera aucun composant existant lors du perçage du tableau. Percer un trou de diamètre 6,35 mm (1/4 po), maintenir et passer les fils bleu et rouge de la DEL par le trou, depuis l'avant du panneau. Appuyer fermement sur le corps de la DEL dans le trou jusqu'à ce qu'il soit fermement enfoncé.

### **COMMUTATEUR VALET:**

Choisir un emplacement de montage qui soit d'accès facile pour le conducteur du véhicule. Il n'est pas indispensable que le commutateur soit caché, toutefois, il est toujours recommandé de le cacher car ceci procure un niveau de sécurité supplémentaire au véhicule.

Le commutateur Valet peut être monté sur le côté inférieur du tableau de bord en perçant un trou de 1/4 de pouce de diamètre à l'endroit choisi.

Il faut d'abord inspecter l'arrière du tableau de bord pour s'assurer qu'il y ait un dégagement suffisant pour le corps du commutateur et que la perceuse ne risque pas d'endommager les composants existants au cours du percement du tableau de bord. Il faut également veiller à ce que l'arrière du commutateur reste accessible au câblage qui sera effectué un peu plus tard.

### **DÉTECTEUR DE TENSION:**

Choisir une surface de montage pleine pour le détecteur de tension, sur la paroi coupe-feu, à l'intérieur du compartiment passager, et monter le détecteur de tension à l'aide des deux vis fournies avec l'appareil. Le détecteur de tension peut aussi être fixé à toute patte de fixation située derrière le tableau de bord, à l'aide d'attaches.

Quelle que soit la méthode de montage choisie, il faut s'assurer que le réglage de sensibilité soit accessible pour usage ultérieur au cours de l'installation.

### **CÂBLAGE DU SYSTÈME**

#### **Gros connecteur de bord à 15 broches:**

#### **FIL BLANC : SORTIE DE FEUX DE STATIONNEMENT À IMPULSIONS +12 VCC (15A MAX)**

Ce fil est fourni pour faire clignoter les feux de stationnement du véhicule.

Brancher le fil blanc sur le côté positif de l'un des feux de stationnement du véhicule.

#### **FIL ROUGE À FUSIBLE: TENSION POSITIVE 12 VOLTS, COURANT CONTINU STABLE DE LA BATTERIE**

Ce fil commande la sensibilité du circuit de détection de tension qui capte l'allumage et l'extinction des lampes intérieures lorsqu'on ouvre une porte. Il détecte également l'allumage des feux de position ou de route, et dans de nombreux cas, il déclenche l'alarme lorsque le ventilateur de refroidissement du radiateur à commande par thermostat électronique est mis en marche.

Lorsqu'on installe ce système dans un véhicule équipé de ventilateurs à temporisation électronique, il est recommandé de désactiver le circuit de détection de tension.

Dans les applications à détection de tension, plus la connexion du fil rouge est proche de la batterie, moindre est la sensibilité du détecteur de tension. On augmente la sensibilité lorsqu'on effectue la connexion au tableau de fusibles, et l'on obtient la sensibilité maximum lorsqu'on effectue la connexion au fusible de la lampe intérieure passager.

Lorsqu'on câble le module de commande aux contacteurs de porte à tous les points d'accès, le circuit de détection de tension doit être désactivé. Placer la fonction # 6, la détection de tension inhibés position Arrêt, puis connecter le fil rouge au courant continu stable de 12 volts de la batterie.

#### **FILS BLEU FONCÉ - CANAL AUXILIAIRE 3, 300MA MAXIMUM DE RENDEMENT.**

(la longue pression de l'émetteur est exigée pour fonctionner)

Les fil bleu foncé fournit des impulsions de masse par l'intermédiaire de la voie radiofréquence d'un émetteur indépendant de la chaîne porte-clés. Ce circuit transistorisé fournit une sortie à faible courant et ne doit s'utiliser que pour commander une bobine de relais extérieur.

**AVERTISSEMENT:** Le module de commande sera endommagé si l'on branche le fil bleu foncé sur la sortie commutée à courant fort du circuit d'ouverture du coffre ou sur certaines entrées de déclenchement du démarreur à distance.

Brancher le fil bleu foncé sur la borne 86 du relais AS-9256 (ou un relais automobile de 30 A équivalent), et câbler les contacts restants du relais pour réaliser les fonctions sélectionnées de la voie 3.

#### **FIL BLANC À FILET NOIR : SORTIE POSITIVE À LA SIRÈNE**

Faire passer ce fil dans une cloison coupe-feu munie d'un passe-fil en caoutchouc et l'amener à l'emplacement de la sirène.

Brancher le fil blanc à filet noir sur le fil positif de la sirène. Fixer le fil de masse noir de la sirène sur la masse du châssis.

#### **FIL NOIR-MASSE CHÂSSIS:**

Brancher ce fil sur une pièce métallique pleine du châssis du véhicule. Ne pas confondre ce fil avec le mince fil noir d'antenne qui sort indépendamment du module de commande.

#### **FIL JAUNE: ALIMENTATION DU DÉMARREUR EN COURANT CONTINU DE 12 VOLTS**

Connecter ce fil à une source chaude lorsque la clé de contact est sur les positions Marche et Allumage. S'assurer que cette source soit hors tension lorsque la clé de contact est sur Arrêt.

#### **FIL VERT FONCÉ : (-) ZONE 2 DE DÉCLENCHEMENT INSTANTANÉ**

C'est un fil à déclenchement instantané par la masse. Il faut le brancher sur les contacteurs de capot et de coffre déjà installés.

**FIL MARRON : (-) DECLENCHEMENT DE PORTE**

Si les interrupteurs d'éclairage d'accueil de porte du véhicule possèdent une sortie masse négative lorsque la porte est ouverte (GM et la plupart des voitures importées), brancher ce fil sur la sortie négative de l'un des interrupteurs de porte.

**AVERTISSEMENT: Ne pas utiliser le fil marron si le véhicule est équipé d'interrupteurs de porte à sortie +12 V. (Voir fil violet).**

**FIL POURPRE : (+) DÉCLENCHEMENT DE PORT**

Si l'interrupteur de l'éclairage d'accueil de la porte du véhicule possède une sortie +12 V lorsque la porte est ouverte (la plupart des voitures Ford et certaines voitures d'importation), brancher ce fil sur la sortie positive de l'un des interrupteurs de porte. Dans la plupart des cas, il suffit de brancher le fil violet sur un seul interrupteur de porte, quel que soit le nombre de portes du véhicule.

**AVERTISSEMENT: Ne pas utiliser le fil violet si le véhicule possède des interrupteurs de porte de type à sortie par la masse. (Voir fil marron).**

**FIL ORANGE: SORTIE DE MISE À LA MASSE DE 300 mA LORSQUE LE CIRCUIT EST ARMÉ. CIRCUIT NORMALEMENT OUVERT, DÉSACTIVATION DU DÉMARREUR**

Ce fil est fourni pour commander le relais de coupure du circuit de démarreur. Connecter le fil orange à la borne 86 du relais. Connecter la borne 85 du relais à un fil d'allumage du véhicule qui est chaud lorsque la clé de contact est sur Marche et Allumage, et hors tension lorsque la clé de contact est sur Arrêt. (Ceci est l'endroit où le fil jaune de l'alarme doit être connecté.)

Couper le fil de faible courant du solénoïde de démarreur du véhicule et connecter un côté du fil coupé à la borne 87A du relais. Connecter l'autre côté du fil coupé à la borne 30 du relais.

**Remarque: Il s'agit d'un aménagement de coupure de circuit de démarreur normalement fermé et lorsque le système de sécurité est hors tension, la fonction de désactivation du démarreur est inopérante, permettant au véhicule de démarrer. Audiovox ne recommande l'usage du fil orange que pour la coupure du circuit de démarreur du véhicule et rien d'autre.**

**FIL D'INDICE NOIR AVEC BLANC : SORTIE NÉGATIVE À FAIBLE INTENSITÉ D'AVERTISSEUR (COURANT MAX. 300mA)**

Le fil d'indice noir avec blanc assure une sortie à impulsions de 300 mA pour faire retentir l'avertisseur sonore du véhicule par bips. Cette sortie à impulsions à faible intensité doit uniquement être raccordée à la sortie de terre à interrupteur à faible intensité depuis l'interrupteur de l'avertisseur sonore du véhicule.

Si le véhicule commute la terre à haute intensité ou +12 volts à l'avertisseur sonore du véhicule. Raccorder le fil d'indice noir avec blanc à la borne No. 86 d'un VF45F11 P&B ou à un relais automobile 30A équivalent. Raccorder la borne No. 85 à une source de +12 volts à fusible. Raccorder les contacts de relais restants 87, 87a et 30 afin de réaliser la fonction de commutation que nécessite le circuit de l'avertisseur sonore du véhicule.

**FIL D'INDICE BLEU AVEC NOIR:** Le Rendement Alternatif Du Troisième Canal (La Double Presse De l'Émetteur Est exigé pour fonctionner.)

Ce fil est commandé par le bouton de l'émetteur programmé au canal 3 du récepteur. En appuyant sur deux fois le bouton d'émetteur, ce rendement deviendra actif pour 1 seconde. Le rendement est (300 mA) produite transistorisée et bas courante, conçu pour fournir l'opération seulement quand l'émetteur est intentionnellement activé, comme est le cas avec la télécommande commencent vers le haut à s'ajouter sur des modules. Si vous avez besoin de plus courant que ce rendement laisse, (300mA), alors vous devez ajouter un relais et arranger les contacts pour préformer la fonction priée.

**FILS VERT FONCÉ À FILET BLANC-ÉCLAIRAGE D'ENTRÉE (300mA maximum):**

Le fil vert foncé à filet blanc fournit un signal de masse pendant 30 secondes chaque fois que le système est désarmé, et des impulsions de masse chaque fois que le système est enclenché. Il est utilisé pour fournir (en option) l'éclairage d'entrée et il fait clignoter l'éclairage du plafonnier du véhicule pendant que l'alarme sonne.

Ce circuit transistorisé fournit une sortie à faible courant et ne doit s'utiliser que pour commander une bobine de relais extérieur.

Brancher le fil vert foncé à filet blanc sur la borne 86 du relais AS-9256 (ou un relais automobile de 30 A équivalent), et câbler les contacts restants du relais en fonction de la polarité du circuit plafonnier du véhicule.

**NOTE: Lors du câblage de cette option dans les véhicules équipés d'usine de circuits d'éclairage retardé, il vaut mieux se brancher sur la sortie de la minuterie qui alimente le plafonnier plutôt que sur les interrupteurs de porte.**

**Ceci permet d'assurer le clignotement du plafonnier lors du déclenchement de l'alarme.**

**FIL VERT PÂLE -: (-) ZONE 1 DE DÉCLENCHEMENT INSTANTANÉ**

C'est un fil à déclenchement instantané par la masse. Ce fil (zone) doit être réservé au raccordement d'appareils en option à déclenchement par la masse tels que les détecteurs de déplacement et/ou de chocs.

**CONNECTEUR GRIS ET NOIR À 2 BROCHES (BLEUES): INTERRUPTEUR VALET**

Faire passer le connecteur bleu à deux conducteurs, de l'interrupteur valet vers le module de commande d'alarme et le brancher sur le connecteur bleu correspondant à l'extrémité du module.

### **FILS BLEU ET ROUGE : VOYANT DEL MONTÉ SUR LE TABLEAU DE BORD**

Faire passer le connecteur blanc à deux conducteurs du voyant DEL à l'extrémité du module et le brancher sur le connecteur correspondant à l'extrémité du module.

### **CONNECTEUR BLANC À QUATRE BROCHES: DÉTECTEUR DE VIBRATIONS**

Faire passer les fils rouge, noir, bleu et vert venant du détecteur de vibrations et allant au module de commande dans le connecteur blanc à quatre broches, et enficher l'un des côtés dans le détecteur de vibrations et l'autre dans le connecteur blanc correspondant situé sur le côté du module.

### **Connecteur Blanc avec 3 fils, Rouge, Vert, et Rouge- Noir: Sorties Verrouillage De Portes:**

Les fils rouges et verts fourniront une impulsion au sol de rendement, ou a de + impulsion de rendement 12 volts au relais de commande de serrure de la porte du véhicule. Dans l'un ou l'autre cas, le courant de maximum de ces sorties ne doit pas excéder 300 mA. Le rouge - le fil noir fournit une impulsion du négatif 300 mA quand le bouton pour ouvrir l'émetteur est actionné la deuxième fois après que l'initiale désarmement. Ceci est employé pour la deuxième étape ouvrent ou toutes les portes ouvrent dans un circuit de deux étapes. Dans cet arrangement, le rouge est employé pour commander les conducteurs porte ouvrent le relais, et le Rouge-Noir sera employé pour commander autre porte ouvre.

### **Verrouillage De Porte à 3 Fils Par Impulsion De Masse**

Dans cette application, le fil rouge fournit une impulsion de masse lors de l'armement, ou la sortie impulsions de masse de verrouillage de porte. Brancher le fil rouge au fil qui fournit un signal de masse à faible courant de l'interrupteur de verrouillage de porte monté d'usine au relais de commande de verrouillage de porte monté d'usine. Le fil vert fournit une impulsion de masse lors du désarmement, ou la sortie impulsion de masse de déverrouillage. Brancher le fil vert au fil qui fournit un signal de masse à faible courant provenant de l'interrupteur de déverrouillage de porte monté d'usine au relais de commande de verrouillage de porte monté d'usine.

Rouge/Noir n'est pas employé.

### **3 Fils Par Impulsion De Masse Déverrouillage La Porte D' Opérateurs D'Abord, Puis Toutes Les Portes**

Dans cette application, le fil rouge fournit une impulsion de masse lors de l'armement, ou la sortie impulsions de masse de verrouillage de porte. Brancher le fil rouge au fil qui fournit un signal de masse à faible courant de l'interrupteur de verrouillage de porte monté d'usine au relais de commande de verrouillage de porte monté d'usine. Le fil vert fournit la première impulsion de la masse pendant désarmer. C'est le rendement à employer pour commander ouvrir de la porte de conducteurs. Reliez ce fil au relais d'ouvrir de la porte de conducteurs qui exige un bas signal de masse courant. Si le véhicule n'a pas un relais séparé de porte de conducteurs, on devra être additionné. Coupez ce fil à un endroit commode pour permettre le câblage du relais facultatif. Reliez le côté du fil du déclencheur de conducteurs à la borne 30 du relais supplémentaire facultatif. Reliez le côté de véhicule du fil de coupe à la borne 87a du relais facultatif installé. Reliez le fil vert du harnais de 3 bornes à la borne 86 du relais facultatif supplémentaire. Reliez la borne 85 du relais facultatif supplémentaire à une source continous fusible de + 12 volts. La plupart des fils de déclencheur de porte de véhicules sont fixés au châssis, et commutent +12 volts alternativement pour l'opération. Si c'est la situation avec le véhicule que vous travaillez dessus, reliez la borne restante, 87, à une source fusible + 12 volts. Dans l'exemple rare que les fils de déclencheurs de porte de véhicule sont reliés à + 12 volts, et puis commutent la masse pour fermer et ouvrir, mettez la borne restante, 87, à la masse de châssis.

Le fil Rouge/Noir fournit une impulsion négative quand le bouton d'ouvrir de l'émetteur est actionné deuxième fois après l'initiale désarmement. Reliez le fil Rouge-Noir au bas relais courant qui ouvre les portes de véhicule.

### **Verrouillage De Porte à 3 Fils Par Impulsion Positive**

Dans cette application, le fil rouge fournit une impulsion positive lors du désarmement, ou la sortie impulsions +12 Volts de déverrouillage. Le branchement du fil rouge sur le fil fournit un signal positif à faible courant de l'interrupteur de déverrouillage de porte monté d'usine vers le relais de commande de verrouillage de porte monté d'usine.

Le fil vert fournit une impulsion positive lors de l'armement ou la sortie impulsions +12 volts du verrouillage de porte monté d'usine. Brancher le fil vert au fil qui fournit un signal de masse à faible courant provenant de l'interrupteur de verrouillage de porte monté d'usine au relais de commande de verrouillage de porte monté d'usine.

### **3 Fils Par Impulsion De + 12 Volts Déverrouillage La Porte D' Opérateurs D'Abord, Puis Toutes Les Portes**

Dans cette application, le fil vert fournit une impulsion de 12 volts pendant armer, ou le rendement pulsé de serrure de 12 volts. Reliez le fil vert au fil du véhicule qui fournit un bas signal positif courant du commutateur de serrure de porte au relais de commande de serrure de porte.

Le fil rouge fournit la première impulsion de la positif pendant désarmer. C'est le rendement à employer pour commander ouvrir de la porte de conducteurs. Reliez ce fil au relais d'ouvrir de la porte de conducteurs qui exige un bas signal positif courant. Si le véhicule n'a pas un relais séparé de porte de conducteurs, on devra être additionné. Coupez ce fil à un endroit commode pour permettre le câblage du relais facultatif. Reliez le côté du fil du déclencheur de conducteurs à la borne 30 du relais supplémentaire facultatif. Reliez le côté de véhicule du fil de coupe à la borne 87a du relais facultatif installé. Reliez le fil rouge du harnais de 3 bornes à la borne 86 du relais facultatif supplémentaire. Reliez la borne 85 du relais facultatif supplémentaire au au sol de châssis. La plupart des fils de

déclencheur de porte de véhicules sont fixés au châssis, et commutent +12 volts alternativement pour l'opération. Si c'est la situation avec le véhicule que vous travaillez dessus, reliez la borne restante, 87, à une source fusible + 12 volts. Dans l'exemple rare que les fils de déclencheurs de porte de véhicule sont reliés à + 12 volts, et puis commutent la terre pour fermer et ouvrir, mettez la borne restante, 87, à la terre de châssis.

Le fil Rouge/Noir fournit une impulsion négative quand le bouton d'ouvrir de l'émetteur est actionné deuxième fois après l'initiale désarmement. Puisque le véhicule que vous travaillez dessus exige une impulsion positive du commutateur de serrure de porte d'usine au relais de commande de serrure de porte d'usine, vous devra ajouter un relais pour inverser la polarité de rendement de ce fil. Reliez le fil de Rouge-Noir à la borne 86 du relais facultatif installé. Reliez la borne 85 et 87 à un fusible de + source protégée 12 volts. Reliez la borne 30 à la toute la porte ouvrent le fil. Ce fil relie le commutateur de porte d'ouvrir au relais d'ouvrir.

**Circuits Résistifs, Comme Fil Inversion De Polarité De 4 Fils et 5 Alternant Des Circuits De Commande de Serrure De Porte De 12 volts:**

Dans ces application, il faut utiliser l'interface de verrouillage de porte AS-9159 (ou un relais automobile équivalent de 30A).

Se reporter au supplément de câblage de verrouillage de porte AUDIOVOX, pour effectuer convenablement le raccordement de ces types de circuit.

**FINITION DE L'INSTALLATION**

**FIL D'ANTENNE:** Ne pas oublier d'étirer le mince fil noir d'antenne à sa longueur maximale, et d'utiliser des serre-câbles à différents endroits où on ne peut l'endommager. Eviter d'enrouler ce fil autour des faisceaux principaux de fils comportant des courants forts.

**Réglage Du Detecteur De Vibrations:** La sensibilité du circuit pré-détection est automatiquement réglée à 30% de moins que la sensibilité du circuit de déclenchement total.

À l'aide d'un petit tournevis, faire tourner la vis de réglage avec précaution et à fond, en sens inverse des aiguilles d'une montre. (NE PAS forcer cette vis. La rotation maximum de ce réglage est de 270°.) Fermer les capots de moteur et de coffre et armer l'alarme. Attendre six secondes pour que la zone de déclenchement des accessoires se stabilise, puis donner un coup de poing sur le pare-chocs arrière avec la force nécessaire pour briser une vitre.

**AVERTISSEMENT: Ne jamais effectuer cet essai sur les vitres du véhicule sous peine de les briser.**

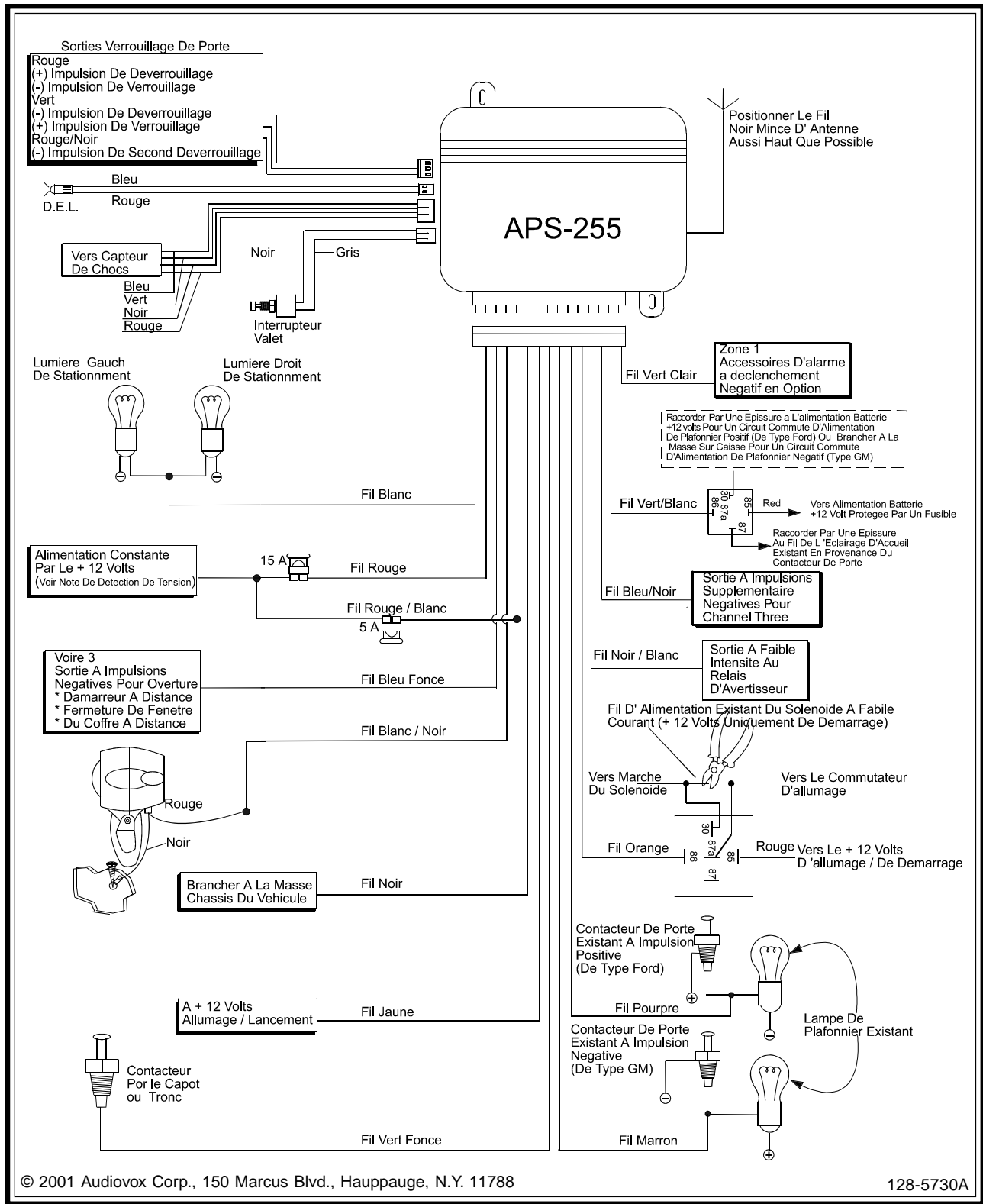
Tourner la vis de réglage dans le sens des aiguilles d'une montre (pour augmenter la sensibilité) sur 1/4 de tour environ, et recommencer l'essai. Recommencer cette opération jusqu'à ce que l'alarme se déclenche. En fin de compte, un coup de poing ferme sur le pare-chocs arrière devrait déclencher l'émission de tonalités d'avertissement de l'alarme.

**AVERTISSEMENT:** Si la sensibilité est trop élevée, ceci peut entraîner des fausses alarmes dues aux vibrations du passage de camions et de véhicules lourds. Pour diminuer la sensibilité, régler la vis en sens inverse des aiguilles d'une montre.

**POSE DU CÂBLE:** Il faut toujours envelopper les fils de l'alarme dans un tubage en hélice ou d'un ruban adhésif isolant électrique placé en spirale. Attacher ces faisceaux le long du chemin de câbles à l'aide de serrecâbles.

Ceci empêche les fils de tomber sur des surfaces chaudes ou des surfaces mobiles tranchantes du véhicule, ce qui évite tout dommage.

**FONCTIONNEMENT:** Prendre quelques instants pour cocher les cases d'option dans le manuel d'utilisation, et pour expliquer complètement le fonctionnement du système au client.



## Free Manuals Download Website

<http://myh66.com>

<http://usermanuals.us>

<http://www.somanuals.com>

<http://www.4manuals.cc>

<http://www.manual-lib.com>

<http://www.404manual.com>

<http://www.luxmanual.com>

<http://aubethermostatmanual.com>

Golf course search by state

<http://golfingnear.com>

Email search by domain

<http://emailbydomain.com>

Auto manuals search

<http://auto.somanuals.com>

TV manuals search

<http://tv.somanuals.com>