

# **AUTO SECURITY BY AUDIOVOX**

## **Model AA-931**

**ACTIVE REMOTE CONTROL AUTO SECURITY SYSTEM  
WITH BUILT IN 2 - STAGE SHOCK SENSOR  
INSTALLATION GUIDE & OWNER'S MANUAL**

**SYSTÈME ACTIF DE SÉCURITÉ AUTOMOBILE À TÉLÉCOMMANDE  
AVEC CAPTEUR DE CHOCS INCORPORÉ À DEUX ÉTAGES  
GUIDE D'INSTALLATION ET D'UTILISATION**

**SISTEMA DE SEGURIDAD ACTIVO PARA AUTOMOVILES A CONTROL REMOTO,  
CON DETECTOR DE CHOQUE INCORPORADO DE 2 ETAPAS  
GUIA DE INSTALACION Y MANUAL DEL PROPIETARIO**

## INTRODUCTION

Your new AA -931 Automotive Security System has been designed with many advanced features that will help to ensure the safety of your vehicle and it's contents.

Taking a few moments to read this manual will provide you with important information required to take advantage of the system's full potential.

Performing the installation procedure in the order that the steps are outlined in this manual should provide you with a quick and trouble free installation, and remember, if you have questions at any time during the installation, call:

1 - 800 - 225 - 6074 for the AUDIOVOX INSTALLATION HOT LINE.

## TABLE OF CONTENTS

<b>Mounting Components</b>	
Mounting the Siren Control Module.....	1
-Mounting the Dash L.E.D. Indicator	
<b>Wiring the System</b>	
-Routing the Wiring Harness	
Connecting the RED wire .....	2
-Connecting the BLACK wire	
-Connecting the Dark Blue wire	
-Connecting the RED wire (from the L.E.D.)	
<b>Programming the Keychain Transmitters</b>	
<b>Completing the Installation.....</b>	<b>3</b>
- Thin BLACK wire	
-WHITE Loop wire	
-GREEN Loop wire	
<b>Adjusting the Sensitivity of the Shock Sensor</b>	
<b>Operating the System</b>	
-Arming the System	
-Protection While the System is Armed	
-Disarming the System	
-Disarming After Intrusion	
Decreasing the Sensitivity of the Shock Sensor.....	4
Remote Panic Operation	
-Emergency By-Pass	
-Replacing the Transmitter Battery	
<b>Troubleshooting</b>	
<b>Schematic .....</b>	<b>5</b>

## INTRODUCTION

Votre nouveau Système de sécurité pour véhicule, Modèle AA-931, a été conçu avec de nombreuses fonctions incorporant une technique pointue qui vous aideront à assurer la sécurité de votre véhicule et de son contenu. Les quelques moments que vous consacrez à la lecture du présent manuel vous apporteront une quantité importante de renseignements nécessaires pour tirer le meilleur parti de toutes les possibilités du système. Si vous effectuez l'installation en suivant l'ordre des opérations indiquées dans le manuel, vous ne devriez rencontrer aucun problème et procéder rapidement. Souvenez-vous que si vous avez la moindre question à poser au cours de l'installation, vous pouvez appeler AUDIOVOX INSTALLATION—LIGNE D'URGENCE au 1-800-225-6074.

## TABLE DES MATIÈRES

<b>Montage des composants</b>	
Montage du module de commande de la sirène .....	6
-Montage de l'indicateur D.E.L. du tableau de bord	
<b>Câblage du système</b>	
-Acheminement du harnais de câblage	
Connexion du fil ROUGE .....	7
- Connexion du fil NOIR	
-Connexion du fil BLEU FONCÉ	
- Connexion du fil ROUGE (provenant de la DEL)	
<b>Programmation des transmetteurs de porte-clés</b>	
<b>Achèvement de l'installation .....</b>	<b>8</b>
- Fil NOIR fin	
- Fil en boucle BLANC	
- Fil en boucle VERT	
<b>Réglage de sensibilité du détecteur de vibrations</b>	
<b>Fonctionnement du système</b>	
- Armement du système	
- Protection pendant que le système est armé	
-Désarmement du système .....	9
- Désarmement après une intrusion	
- Diminution de la sensibilité du détecteur de vibrations par le transmetteur du porte-clés	
- Télécommande du système anti-panique	
- Dérivation d'urgence	
- Remplacement des piles du transmetteur	
<b>Dépannage</b>	
<b>Schémas .....</b>	<b>12</b>

## INTRODUCCION

Su nuevo Sistema de Seguridad para Automóviles AA-931 está diseñado con muchas funciones de avanzada que le ayudarán a garantizar la seguridad del vehículo y su contenido. Dedique un tiempo a leer est manual a fin de obtener información importante que le servirá para aprovechar al máximo la capacidad potencial del sistema.

Si sigue el procedimiento de instalación en el orden que se describen los pasos en el presente manual, podrá realizar la instalación rápidamente y sin dificultad alguna, y recorde que en caso de tener alguna pregunta o duda en cualquier momento de la instalación, puede llamar al 1-800-225-6074 que es el teléfono sin cargo de información sobre instalación de Audiovox.

## INDICE

<b>Instalación de los componentes</b>	
Instalación del módulo de control de la sirena .....	11
-Instalación del indicador L.E.D. en el tablero de instrumentos	
<b>Cableado del sistema</b>	
-Colocación del arnés de cables	
Conexión del cable ROJO .....	12
-Conexión del cable NEGRO	
-Conexión del cable AZUL OSCURO	
-Conexión del cable ROJO (del LED)	
<b>Programación de los transmisores de llavero</b>	
<b>Terminación de la instalación .....</b>	<b>13</b>
-Cable fino NEGRO	
-Cable en bucle BLANCO	
-Cable en bucle VERDE	
<b>Ajuste de la sensibilidad del detector de choque</b>	
<b>Operación de sistema</b>	
-Activación del sistema	
-Protección mientras el sistema está activado	
- Desactivación del sistema	
-Desactivación después de una intrusión .....	14
-Reducción de la sensibilidad del detector de choque por medio del transmisor de llavero	
-Operación a la distancia en caso de emergencia	
- Desvío de emergencia	
-Cambio de la pila del transmisor	
<b>Resolución de problemas</b>	
<b>Diagrama esquemático .....</b>	<b>15</b>

## MOUNTING THE COMPONENTS

### 1. Mounting The Siren Control Module

Select a flat, metal surface within the engine compartment, but not on the engine, for mounting the siren control module. Keep in mind that the horn end must be facing down to prevent water from entering the module.

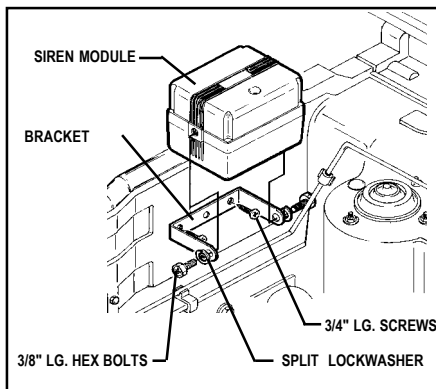
A location on the firewall, which is not easily accessible from underneath the vehicle, is preferred. This location will provide optimum operation of the shock sensor, and prevent the potential thief from disconnecting the alarm from below the vehicle.

You should also locate the control module away from hot or moving components within the engine compartment, and avoid areas where water will run off or collect during heavy rainstorms.

#### To mount the siren control module;

**A.** Secure the module mounting bracket to the selected location using the (2) 3/4" long screws provided. Carefully drill a 1/8" diameter pilot hole for starting the screws.

**B.** In most cases, if the bracket has been secured to a solid metal surface, you can connect the BLACK wire from the wiring harness to the siren mounting bolt. Using a 10 mm wrench or socket, secure the siren module ( and eyelet terminal on the end of the BLACK wire) to the bracket using the (2) 3/8" long hex head bolts and (2) split lock washers provided.



### 2. Mounting The Dash L.E.D. Indicator

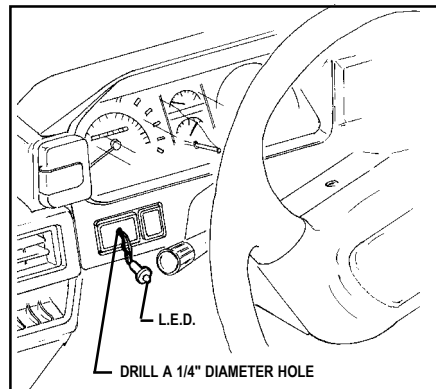
Select an area on the dashboard or center console that will provide the most visibility from all angles outside the vehicle ( driver's window, passenger's window, rear window, etc. ).

**IMPORTANT !** Make sure there is adequate room for the body of the L.E.D. behind the panel in the selected location. You should also be sure that the drill will not pierce any wires, or damage other components after passing through the panel. It is always best to remove the panel from the vehicle before drilling the hole.

#### To mount the L.E.D.;

**A.** Drill a 1/4" diameter hole at the selected mounting location.

**B.** Pass the L.E.D. wires through the hole from the front of the panel, and press the body of the L.E.D. into the hole until fully seated.



Page 1

## WIRING THE SYSTEM

Making the connections to the vehicle, as described in this wiring section, may be beyond the technical abilities of the average consumer. If you have any questions with the wiring procedures, please call a qualified automotive technician, or call the AUDIOVOX HOT LINE at 1 - 800 - 225 - 6074. Prior to making any connections, a 12 Volt logic probe should be used to confirm the proper connection point.

**IMPORTANT !** The 4 pin white connector on the end of the main harness that plugs into the siren control module should remain disconnected during the wiring portion of the installation. Leaving this disconnected will ensure that the keychain transmitters are properly programmed later in the installation.

### 1. Routing The Wiring Harness

The DARK BLUE wire must be routed through the firewall, and into the passenger compartment of the vehicle, towards the dash L.E.D. In most cases, the RED wire will also be routed into the passenger compartment, to the courtesy light fuse. Before proceeding with the wire routing, verify the location of the courtesy light fuse, as a small percentage of vehicles locate this fuse in the engine compartment, and in these cases, it will not be necessary to route the RED wire through the firewall.

After confirming these component locations, route the DARK BLUE and RED wires towards their connection points. Caution should be used when routing wires. Keep wires away from all hot surfaces, and any moving parts of the vehicle ( radiator fans, accelerator or brake pedal linkage, etc. ).

When routing wires through the firewall, be sure to pass the wires through an existing rubber grommet. Failure to do this can result in damage to wires from sharp metal edges, and an eventual failure of the security system.

## 2. Connecting the RED Wire

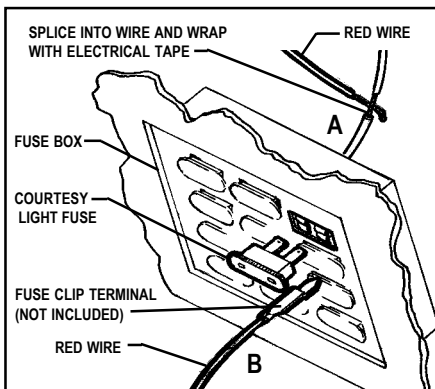
Locate the courtesy lamp fuse. Both sides of the fuse will indicate + 12 Volts on the logic probe while the fuse is plugged in. Remove the fuse, and test the contacts that the fuse plugs into. One of the contacts will not indicate + 12 Volts. This is where the RED wire will be connected.

### Connection Method A;

- A. Locate the wire coming from this fuse terminal at the back of the fusebox.
- B. Splice the RED wire from the harness to this wire, and insulate with electrical tape.

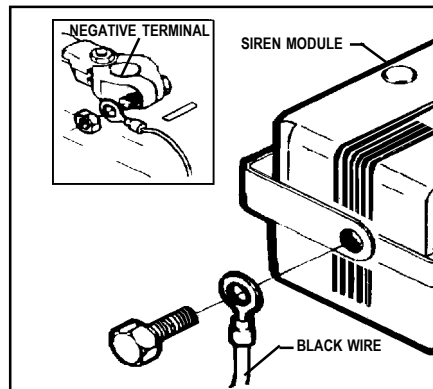
### Connection Method B;

- A. " Fuse clip " terminals, which will plug in with the contacts of the fuse, are available at most electronics stores. This method of connection may be easier in some vehicles.
- B. Refer to the specific instructions included with the fuse clip terminals.



## 3. Connecting the BLACK Wire

The larger BLACK wire ( not the thin black antenna wire ), should have been connected to ground during the siren module mounting procedure. If you were unsure of the ground reliability of the siren module mounting bracket, you can connect the eyelet on the end of the BLACK wire to any non painted bolt on the firewall or fender, which is threaded directly into a metal surface of the vehicle.



Page 2

## 4. Connecting the DARK BLUE wire

Connect the DARK BLUE wire from the main harness to the BLUE wire from the dash mounted L.E.D. Be sure to insulate this connection with electrical tape.

## 5. Connecting the RED wire ( From the L.E.D. )

Splice the Red wire from the dash mounted L.E.D. to the larger RED wire from the main harness. Be sure to insulate this splice with electrical tape.

## PROGRAMMING THE KEYCHAIN TRANSMITTERS

The two keychain transmitters that are included with this system are a " code learning " type Radio Frequency transmitter, which simply means that the siren control module will learn and remember the individual code number of each transmitter. The siren control module will learn the individual codes of (2) transmitters only.

**IMPORTANT !** Save these programming instructions in a place where you can easily find them in the future. Whenever the vehicle's battery is disconnected for servicing, the transmitters will need to be reprogrammed.

### To Program the Transmitters;

- A. The main harness connector should be disconnected from the siren control module at this step of the installation procedure. If it is not, unplug the connector.
- B. Be sure to have both keychain transmitters in hand, then plug the main harness connector into the siren control module.
- C. Press and hold the larger arming button on transmitter number 1 until the siren sounds one long " chirp " .
- D. Immediately press and hold the larger arming button on transmitter number 2 until the siren sounds one long " chirp " .
- E. Both transmitters should now be programmed. You can test this by pressing the arming button on each transmitter, which will result in the appropriate " ARMED " or " DISARMED " indication from the siren module.

**IMPORTANT !** If only one transmitter is operating, repeat the programming procedure. Once the harness connector is plugged in, you have only 15 seconds in which to program both transmitters. This short time window is required in order to provide a high level of security.

## COMPLETING THE INSTALLATION

You will notice (3) additional wires, which come directly out of the rubber wire exit boot from the siren control module, and are not part of the main harness. These wires are used to customize the installation, and are required in some vehicles.

### 1. Thin BLACK Wire

This is the antenna wire for the receiver that is built into the siren control module. Fully extend this wire, and route it as high in the engine compartment as possible, for maximum transmitter range.

### 2. WHITE Loop Wire

This wire exits the rubber boot, and immediately loops back into the rubber boot.

Three minutes after the alarm has been armed, the voltage sensing circuitry becomes active. This voltage sensing monitors the voltage level of the vehicle, and when it sees a change ( i.e. a door opens, and the interior light turns on ), the alarm is triggered.

Many vehicles incorporate an electronic cooling fan, which will automatically switch on after the vehicle has been turned off. If this fan switches on shortly after the alarm has been armed, the system will not trigger due to the three minute delay.

If your vehicle does not have an electronic cooling fan which turns on after the vehicle has been turned off, you may elect to bypass the three minute arming delay of the voltage sense circuit. The system can be modified so that six seconds after arming, the voltage sensing circuitry becomes active. The three minute time delay can be eliminated by cutting the WHITE wire loop. After cutting the WHITE wire loop, individually insulate both ends of the wire with electrical tape.

Do not cut this loop if your vehicle is equipped with an electronic cooling fan, as you will experience false alarms.

### 3. GREEN Loop Wire

This wire exits the rubber boot, and immediately loops back into the rubber boot.

Cutting this wire will eliminate the voltage sensing feature of the alarm. When this wire is cut, opening the doors will not trigger the system.

This loop wire should be cut only if you want to protect the vehicle from sudden impacts to the glass or body panels, but do not want the alarm to trigger when a door has been opened.

## ADJUSTING THE SENSITIVITY OF THE SHOCK SENSOR

The purpose of a shock detector is to "sense" strong impacts to the vehicle's glass and body panels, but ignore light bumps to the vehicle. This alarm is programmed to report these impacts in two ways.

A lighter impact will cause the alarm to sound a series of short "chirps", warning anyone tampering with the vehicle to stop immediately.

A more forceful impact will cause the alarm to sound for it's full 60 second cycle, informing you that a serious violation attempt has occurred.

**IMPORTANT !** Setting the sensitivity of the shock sensor too high will cause false alarms. A substantial amount of force is required to actually break automotive glass, and the shock sensor should be set accordingly.

Before proceeding with the adjustment, verify that all screws securing the siren control module to the bracket, and securing the bracket to the vehicle, are securely tightened.

### To adjust the shock sensor;

**A.** Locate and remove the small rubber plug on the back of the siren control module.

**B.** Gently turn the adjustment screw fully counter - clockwise, then clockwise approximately 1/8 of a turn. Do not over turn this screw, as maximum rotation is approximately 270°. You should stop applying pressure as soon as you feel a slight amount of resistance.

**C.** Close the hood, arm the alarm ( " 1 CHIRP " ), and allow six seconds for the shock sensor to stabilize.

**D.** Firmly strike the front bumper of the vehicle with the side of a closed fist, considering the amount of force required to break a window.

**CAUTION !** Never perform this test on the vehicle's glass, as you may break a window.

**E.** If the alarm did not sound, or if only the warning chirps were activated, then the sensitivity will need to be increased. Disarm the alarm, and open the hood to gain access to the siren control module.

**F.** Gently turn the adjustment screw approximately 1/8 turn clockwise ( increasing sensitivity ), and repeat the test.

**G.** Repeat this procedure until a firm strike causes the alarm to trigger, and a less forceful impact causes the alarm to sound the warning chirps.

**H.** When the adjustment is set, replace the rubber plug on the back of the siren module.

## OPERATING THE SYSTEM

### 1. Arming the System

**A.** Exit the vehicle, and close and lock all doors.

**B.** Press and release the larger arming button on the keychain transmitter. The system will respond with one single chirp.

**C.** The red dash mounted L.E.D. will begin to flash, and after approximately six seconds, the shock sensing feature of the system will be activated. The voltage sensing circuit will begin its countdown, and after approximately three minutes, opening a light activated door will trigger the alarm.

**IMPORTANT !** If the WHITE loop wire was cut during the installation procedure, the voltage sensing feature of the alarm will become active six seconds after arming the system ( see COMPLETING THE INSTALLATION, WHITE Loop Wire ). You will not need to wait the three minutes before opening a door will cause the alarm to trigger.

### 2. Protection While the System is Armed

**A.** Opening a door ( or any light activated entry point ), will cause the alarm to immediately sound for the complete 60 second alarm cycle.

**B.** While the system is armed, the red dash mounted L.E.D. will constantly flash, discouraging any would be thieves.

**C.** Any light impact to the vehicle glass or body panels will cause the system to immediately sound the warning chirps, discouraging any further attempts to enter the vehicle.

**D.** Any forceful impact to the vehicle will cause the system to immediately trigger for the complete 60 second alarm cycle. At the end of the cycle, the alarm will re - arm itself, and resume monitoring the vehicle.

### 3. Disarming the System

**A.** When you return to the vehicle, press and release the larger arming button on the keychain transmitter. The system will respond with two chirps.

**B.** The red dash mounted L.E.D. will turn off, indicating that the system is disarmed, and it is safe to enter the vehicle.

### 4. Disarming After an Intrusion

When disarming, if the system responds with four chirps, you are being alerted that the alarm was triggered during your absence. Additionally, the red dash mounted L.E.D. will blink 3 times .. pause .. blink 3 times .. etc., to provide an added visual indication that the alarm had been triggered.

**To clear the L.E.D. intrusion flash pattern,**

- A. Arm the system, then immediately disarm the system.
- B. The L.E.D. will turn off, and the system will be reset for normal operation.

### 5. Decreasing the Sensitivity of the Shock Sensor via the Keychain Transmitter

There may be some circumstances when you will want to arm the system, but decrease the sensitivity of the shock sensor, or simply turn the shock sensor off. This feature can be useful during extreme thunderstorms, or when parking on or near heavy construction sites.

**To arm and decrease shock sensitivity,**

- A. Follow the normal arming procedure by pressing the larger button on the keychain transmitter.
- B. Immediately after arming, press and release the smaller button on the keychain transmitter.
- C. In approximately five seconds, the siren will sound one long chirp, indicating that the sensitivity of the shock sensor has been reduced 30 percent.

**To arm and turn the shock sensor off,**

- A. Follow the normal arming procedure by pressing the larger button on the keychain transmitter.
- B. Immediately after arming, press and release the smaller button on the keychain transmitter two times.
- C. In approximately five seconds, the siren will sound one short chirp, followed by one long chirp, indicating that the shock sensor has been turned off.

**IMPORTANT !** Any time the shock sensor has been adjusted using the keychain transmitter, disarming then re arming the system will return the shock sensor to its normal operating sensitivity.

### 6. Remote Panic Operation

The alarm can be activated via the keychain transmitter to draw attention to your vehicle during an emergency situation.

**To activate the panic feature;**

- A. Press and hold the larger button on the keychain transmitter for 3 seconds.
- B. The alarm will sound, and continue to sound for 60 seconds.

- C. To silence the alarm before the 60 second shutdown, press and release the larger button on the keychain transmitter.

**WARNING !** In most areas, it is illegal to activate the alarm while the vehicle is moving. For the safety of your passengers and other motorists, do not activate the alarm while your vehicle is in motion.

### 7. Emergency By - Pass

If you lose or misplace your transmitter, or the transmitter fails to disarm the system due to poor battery condition, you must by - pass the security system.

**To do this;**

- A. Open the driver's door. The alarm will sound.
- B. Pull the hood release lever, and open the hood.
- C. Locate the RED wire from the siren control module, and remove the fuse from the fuseholder.
- D. Do not replace this fuse until your transmitters are repaired or replaced.
- E. When re - inserting the fuse, you will need to reprogram your transmitters. ( refer to " PROGRAMMING THE KEYCHAIN TRANSMITTERS ).

### 8. Replacing the Transmitter Battery

The keychain transmitters have a small, red L.E.D. visible through the top cover. This L.E.D. can be used to indicate battery condition. You will also notice a decrease in effective transmitter range as the battery deteriorates.

The replacement battery must be a 12 volt type GP23A or equivalent.

**To replace the transmitter battery;**

- A. Remove the small phillips head screw from the bottom of the transmitter, and carefully pry the top cover ( button side ) away from the transmitter.
- B. Remove the discharged battery, making note of the orientation of the + and - contacts, and dispose of properly.
- C. Install the new battery, taking care to place the + and - contacts in the correct position.
- D. Replace the transmitter cover, taking care not to damage the L.E.D. or switches on the circuit board.
- E. Replace the small phillips head screw through the bottom of the transmitter.

## TROUBLESHOOTING :

**Symptom :** The transmitters will not program to the siren control module.

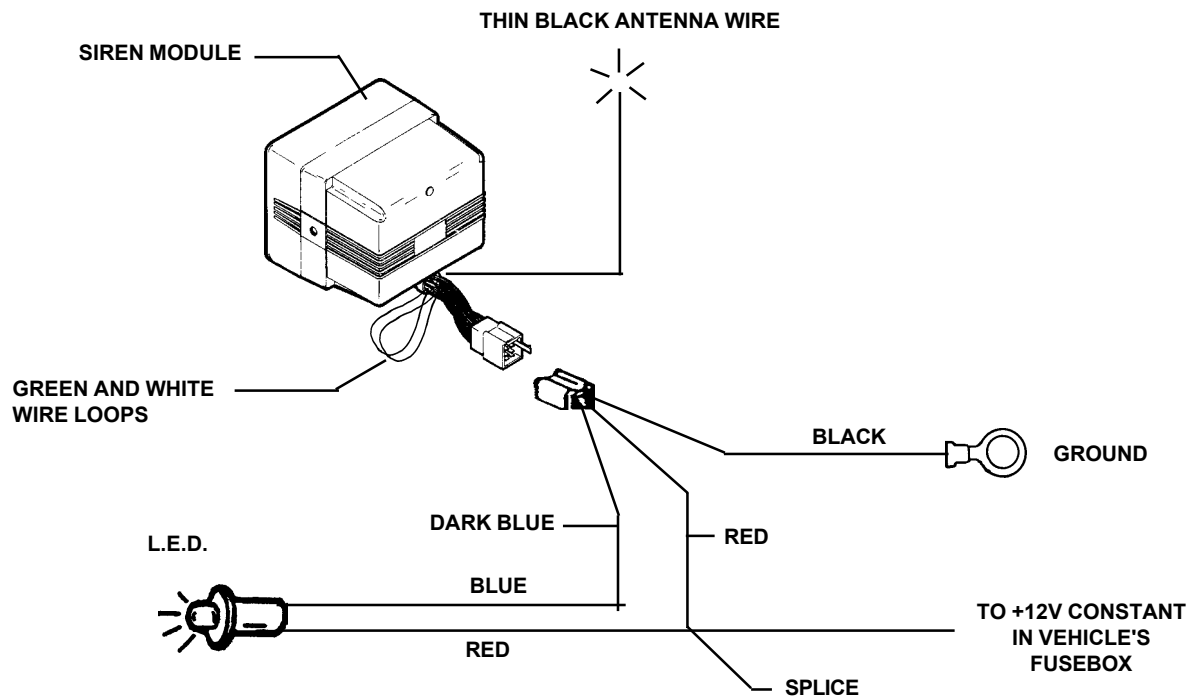
**Check :**

- A. Verify that the fuse in the red wire from the siren control module is in good condition. Replace it if it is blown.
- B. Verify that the connections of the red and black wires have been made according to the wiring section of this manual.
- C. You have only 15 seconds after applying power to the siren control module in which to program both transmitters.

**Symptom :** The alarm will not arm and disarm using the keychain transmitter.

**Check :**

- A. Verify the transmitter battery is in good condition. Try both transmitters. Replace the transmitter battery if necessary.
- B. Verify that the transmitter is programmed to the siren control module. When the vehicle's battery is disconnected, or when power is removed from the siren control module, the transmitters need to be re - programmed. Follow the programming instructions in this manual.
- C. Verify that the fuse in the red wire from the siren control module is in good condition. Replace it if it is blown.
- D. Verify that the connections of the red and black wires have been made according to the wiring section of this manual.



## MONTAGE DES COMPOSANTS

### 1. Montage du module de commande de la sirène

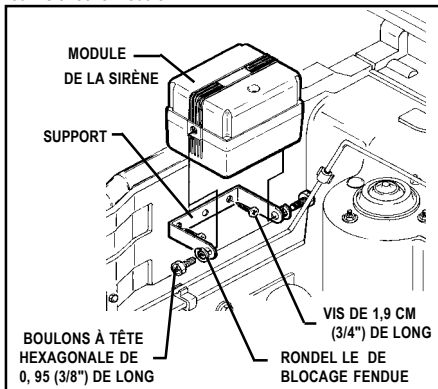
Choisir une surface métallique plane à l'intérieur du compartiment du moteur, mais qui ne soit pas sur le moteur, pour monter le module de commande de la sirène. Il faut garder à l'esprit que le côté de l'avertisseur doit être tourné vers le bas pour empêcher que l'eau ne pénètre dans le module.

Un emplacement sur la cloison pare-feu à laquelle on ne peut accéder depuis le dessous du véhicule est préférable. Un tel emplacement fournit des conditions de fonctionnement optimales au capteur de vibrations et empêche tout malfaiteur éventuel de déconnecter l'alarme par le dessous du véhicule.

Il faut aussi que le module de commande soit placé aussi loin que possible des composants chauds ou mobiles à l'intérieur du compartiment du moteur, et il faut également éviter les zones où l'eau risque de couler ou de s'accumuler pendant les gros orages. Pour monter le module de commande de la sirène.

**A.** Fixer la patte de support de montage du module à l'emplacement choisi à l'aide des deux (2) vis de 1,9 cm (3/4") de long fournies avec le module. Il faut percer avec précautions un trou pilote de 0,32 cm (1/8") de diamètre pour amorcer les vis.

**B.** Dans la plupart des cas, lorsque la patte de support a été fixée sur une surface métallique solide, on peut connecter le fil NOIR sortant du faisceau de conducteurs au boulon de montage de la sirène. Avec une clé ou une douille de 10 mm, fixer le module de la sirène (et la borne en illet située à l'extrémité du fil NOIR) au support à l'aide des deux (2) boulons à tête hexagonale de 0,95 cm (3/8") de long et des deux (2) rondelles de blocage fendues fournis avec le module.



### 3. Montage de l'indicateur D.E.L. du tableau de bord

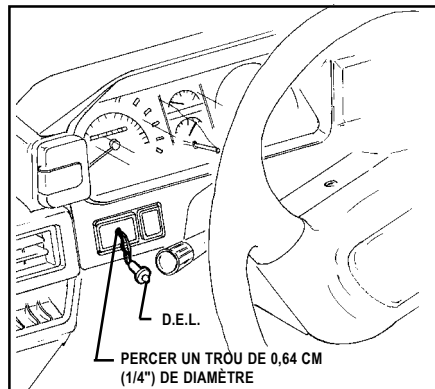
Choisir l'emplacement sur le tableau de bord ou au centre de la console qui sera le plus visible de l'extérieur du véhicule, à partir de tous les angles possibles (fenêtre du conducteur, fenêtres passagers, lunette arrière, etc.).

**ATTENTION!** Il faut s'assurer qu'il existe suffisamment de place pour le corps de la D.E.L. derrière le panneau de montage à l'emplacement choisi. Il faut également veiller à ce que la perceuse ne sectionne aucun fil et n'endommage aucun composant après avoir percé le panneau. Il est toujours recommandé d'enlever le panneau du véhicule avant de percer le trou.

**Pour monter la D.E.L., il faut:**

**A.** Percer un trou de 0,64 cm (1/4") de diamètre à l'emplacement choisi pour l'installation.

**B.** Faire passer les fils de la D.E.L. à travers le trou à partir de l'avant du panneau, et enfoncer le corps de la D.E.L. dans le trou jusqu'à ce que celle-ci soit bien assise.



Page 6

## CÂBLAGE DU SYSTÈME

Il est possible que la réalisation des connexions au véhicule, telles que décrites dans la présente section relative au câblage, dépasse le niveau des connaissances techniques d'un consommateur moyen. Si vous avez la moindre question à poser au sujet des méthodes de câblage, veuillez appeler un électricien spécialiste des circuits électriques sur véhicules, ou bien encore, appelez AUDIOVOX-URGENCE au 1-800-225-6074. Avant d'effectuer une connexion quelconque, il faut utiliser une sonde logique de 12 volts pour confirmer que la tension soit correcte au point de connexion.

**ATTENTION!** Le connecteur blanc à 4 broches situé à l'extrémité du faisceau de conducteurs principal, qui se branche dans le module de commande de la sirène, doit rester déconnecté pendant l'opération de câblage de l'installation. En laissant ce connecteur déconnecté, on assure que les transmetteurs du porte-clés seront convenablement programmés, plus tard au cours de l'installation.

### 1. Acheminement du harnais de câblage

Le fil BLEU FONCÉ doit être acheminé à travers la cloison pare-feu et jusque dans l'habitacle du véhicule, vers la DEL du tableau de bord. Dans la plupart des cas, le fil ROUGE sera aussi acheminé dans l'habitacle, jusqu'au fusible de l'éclairage intérieur. Avant de procéder à l'acheminement des fils, vérifier l'emplacement du fusible de l'éclairage intérieur car, sur un petit nombre de véhicules, ce fusible est situé dans le compartiment-moteur et, dans ce cas, il ne sera pas nécessaire d'acheminer le fil ROUGE à travers la cloison pare-feu.

Après avoir confirmé l'emplacement de ces composants, acheminer le fil BLEU FONCÉ et le fil ROUGE vers leurs points de connexion. Il faut procéder prudemment en acheminant ces fils. Les fils doivent être tenus à l'écart de toutes les surfaces chaudes et de toute pièce mobile du véhicule (ventilateurs de radiateur, tringlerie de pédale d'accélérateur ou de frein, etc.).

En acheminant les fils à travers la cloison pare-feu, s'assurer de passer les fils à travers une virole en caoutchouc existante. Si ce n'est pas fait, il peut y avoir endommagement des fils au contact avec des arêtes métalliques vives, et il peut y avoir une éventuelle défaillance du système de sécurité.



## 2. Connexion du fil ROUGE

Repérer le fusible des lampes de service. Les deux côtés du fusible doivent indiquer +12 volts sur la sonde logique pendant que le fusible est enfiché. Enlever le fusible et tester les contacts dans lesquels le fusible s'enfiche. L'un des contacts n'indiquera pas +12 volts. Ceci est le point où le fil ROUGE doit être connecté.

### Connexion par la méthode A:

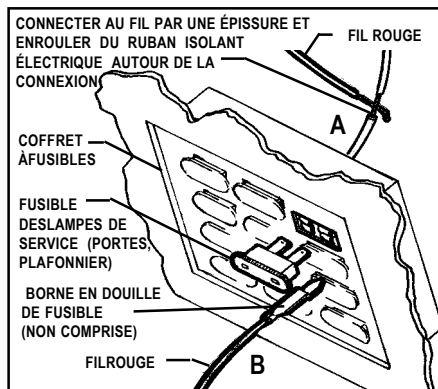
A. Repérer le fil sortant de cette borne de fusible, à l'arrière du coffret à fusibles.

B. Connecter le fil ROUGE du faisceau à ce conducteur par une épissure qu'il faut protéger avec du ruban isolant électrique.

### Connexion par la méthode B:

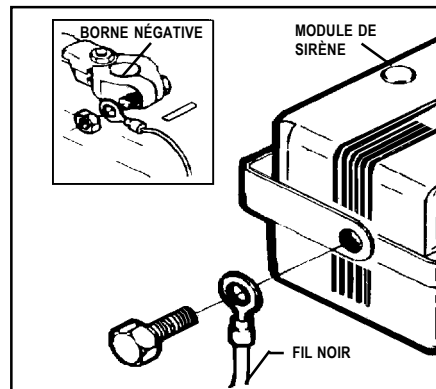
A. On peut se procurer dans presque tous les magasins de matériel électronique des bornes en "douilles de fusible", qui s'enfichent dans les contacts de fusible. Cette méthode de connexion peut être plus facile dans certains véhicules.

B. Consulter les instructions spécifiques comprises dans le paquet de bornes en douilles de fusible.



## 3. Connexion du fil NOIR

Le fil NOIR le plus gros (et non le fil noir mince servant de fil d'antenne) doit avoir été connecté à la masse au cours du montage du module de commande de la sirène. Si vous n'avez pas confiance dans la mise à la masse effectuée sur la patte de support de fixation du module de sirène, vous pouvez connecter l'illet situé à l'extrémité du fil NOIR à l'un quelconque des boulons non peints situés dans la cloison pare-feu ou l'aile qui sont vissés directement dans les filets d'une plaque métallique du véhicule.



Page 7

## 4. Raccordement du fil BLEU FONCÉ

Raccorder le fil BLEU FONCÉ provenant du harnais principal au fil BLEU provenant de la DEL montée sur tableau de bord. S'assurer d'isoler cette connexion à l'aide de ruban électrique.

## 5. Raccordement du fil ROUGE (provenant de la DEL)

Épisser le fil rouge provenant de la DEL montée sur tableau de bord au fil ROUGE plus gros provenant du harnais principal. S'assurer d'isoler cette épissure à l'aide de ruban électrique.

## PROGRAMMATION DES TRANSMETTEURS DE PORTE CLÉS

Les deux transmetteurs de porte-clés compris avec le présent système sont des transmetteurs de type à radiofréquence programmables, ce qui signifie simplement que le module de commande de la sirène peut sauvegarder en mémoire et réutiliser le numéro de code individuel de chaque transmetteur. Le module de commande de la sirène enregistre les codes individuels de deux (2) transmetteurs seulement.

**ATTENTION!** Conserver les instructions de programmation suivantes en lieu sûr et facile d'accès pour pouvoir les utiliser à l'avenir. Chaque fois que la batterie du véhicule est déconnectée à l'occasion d'une séance d'entretien ou de maintenance, il faut reprogrammer les transmetteurs.

### Comment programmer les transmetteurs:

A. Le connecteur du faisceau principal doit être déconnecté du module de commande de la sirène à ce point des opérations d'installation. S'il ne l'est pas, il faut le déconnecter.

B. Vérifier que les deux transmetteurs de porte-clés sont dans votre main, puis enficher le connecteur du faisceau principal dans le module de commande de la sirène.

C. Appuyer sur le gros bouton d'armement du transmetteur N° 1 et maintenir le bouton enfoncé jusqu'à ce que la sirène émette un son long.

D. Appuyer immédiatement sur le gros bouton d'armement du transmetteur N° 2 et le maintenir enfoncé jusqu'à ce que la sirène émette un son long.

E. Les deux transmetteurs doivent alors être programmés. On peut faire un test de vérification en appuyant sur le bouton d'armement de chaque transmetteur, ce qui doit fournir une indication de système "ARMÉ" ou "DÉSARMÉ" en provenance du module de la sirène.

**ATTENTION!** Si un seul transmetteur fonctionne, il faut recommencer l'opération de programmation. Une fois que le connecteur du faisceau est enfiché, on dispose de 15 secondes seulement pour programmer les deux transmetteurs. Ce créneau de courte durée est nécessaire pour assurer un haut niveau de sécurité.

## ACHÈVEMENT DE L'INSTALLATION

Vous avez pu remarquer cinq (3) fils supplémentaires sortant directement de l'enveloppe en caoutchouc canalisant la sortie des fils du module de commande de la sirène et qui ne font pas partie du faisceau principal. Ces fils sont utilisés pour adapter l'installation à certaines circonstances et sont nécessaires dans certains véhicules.

### 1. Fil NOIR fin

Il s'agit du fil d'antenne réceptrice incorporée dans le module de commande de la sirène. Il faut allonger ce fil au maximum dans la direction du point ayant la plus haute élévation à l'intérieur du compartiment du moteur pour obtenir une portée de transmission maximum.

### 2. Fil en boucle BLANC

Ce fil sort de l'enveloppe en caoutchouc et y retourne immédiatement en faisant une boucle.

Trois minutes après que l'alarme ait été armée, le circuit de détection de tension devient actif. Ce système de détection de tension contrôle le niveau de la tension dans le véhicule, et lorsqu'un changement est détecté (par exemple, lorsqu'une porte s'ouvre et que les lampes de portes ou le plafonnier s'allument), l'alarme est déclenchée.

De nombreux véhicules incorporent un ventilateur de refroidissement électronique qui se met en marche automatiquement dès que le véhicule est arrêté. Lorsque ce ventilateur se met en marche peu de temps après que l'alarme ait été armée, le système ne se déclenche pas en raison des trois minutes de délai.

Si votre véhicule ne possède pas de ventilateur de refroidissement électronique se mettant en marche après l'arrêt du véhicule, vous pouvez choisir de modifier les trois minutes du délai d'armement du circuit de détection de tension.

On peut modifier le système de sorte que six secondes après l'armement le circuit de détection de tension soit activé. On peut éliminer le délai de trois minutes en coupant la boucle de fil BLANC. Après avoir coupé la boucle de fil BLANC, il faut protéger les deux extrémités du fil individuellement avec du ruban isolant électrique. Ne pas couper cette boucle si le véhicule est équipé d'un ventilateur de refroidissement électronique car cela ferait déclencher de fausses alarmes.

### 3. Fil en boucle VERT

Ce fil sort de l'enveloppe en caoutchouc et y retourne immédiatement en faisant une boucle.

En coupant ce fil, on élimine le dispositif de détection de tension de l'alarme. Lorsque le fil est coupé, l'ouverture des portes ne déclenche pas le système.

Cette boucle de fil doit être coupée seulement lorsqu'on veut protéger le véhicule des chocs soudains contre les glaces ou contre la carrosserie, mais sans désirer que l'alarme se déclenche lorsqu'une porte a été ouverte.

## RÉGLAGE DE SENSIBILITÉ DU DÉTECTEUR DE VIBRATIONS

La raison d'être d'un détecteur de vibrations est de capter les chocs importants dirigés contre les glaces ou la carrosserie du véhicule, tout en ignorant les coups légers pouvant atteindre le véhicule. L'alarme est programmée pour rendre compte de ces chocs de deux manières. Un choc léger provoque l'alarme qui émet une série de sons brefs, avertissant quiconque se trouve en train d'attaquer le véhicule d'arrêter immédiatement.

Un choc plus puissant déclenche l'alarme qui retentit pendant un cycle complet de 60 secondes, vous informant qu'un essai d'effraction sérieux a eu lieu.

**ATTENTION!** Lorsque la sensibilité du détecteur de vibrations est trop élevée, ceci provoque des fausses alarmes. Il faut appliquer une force importante pour effectivement briser les glaces d'une automobile, et le détecteur de vibrations doit être réglé en conséquence.

Avant d'effectuer le réglage, il faut s'assurer que toutes les vis de fixation du module de commande de la sirène à la patte de support, et de la patte de support au véhicule, sont strictement serrées.

**Pour régler le détecteur de vibrations, il faut:**

**A.** Repérer le petit bouchon en caoutchouc à l'arrière du module de commande de la sirène et l'enlever.

**B.** Avec précaution, tourner la vis de réglage à fond, dans le sens inverse des aiguilles d'horloge, puis environ d'1/8 de tour dans le sens direct. Ne pas trop tourner cette vis, car son angle de rotation maximum est d'environ 270 degrés. Il faut arrêter toute pression dès que l'on sent la moindre résistance.

**C.** Fermer le capot, armer l'alarme (" 1 PIAULEMENT ") et attendre six secondes que le capteur de chocs se stabilise.

**D.** Frapper le devant du pare-choc du véhicule avec le côté d'un poing fermé, avec la force que l'on peut imaginer pour briser une fenêtre.

**ATTENTION!** Ne jamais effectuer ce test sur une fenêtre du véhicule, car celle-ci pourrait se briser.

**E.** Si l'alarme sonore ne retentit pas, ou si l'on n'entend que les sons brefs d'avertissement de l'alarme, il faut alors augmenter la sensibilité du détecteur. Pour ceci, désarmer l'alarme et ouvrir le

capot du moteur pour avoir accès au module de commande de la sirène.

**F.** Tourner la vis de réglage d'1/8 de tour environ avec précaution, dans le sens direct des aiguilles d'horloge (sensibilité croissante), et recommencer le test.

**G.** Recommencer l'opération jusqu'à ce qu'un coup ferme fasse déclencher l'alarme et qu'un coup un peu moins puissant déclenche les sons brefs d'avertissement de l'alarme.

**H.** Lorsque le réglage est terminé, remettre le bouchon en caoutchouc en place à l'arrière du module de la sirène.

## FONCTIONNEMENT DU SYSTÈME

### 1. Armement du système

**A.** Sortir du véhicule et fermer toutes les portes en les verrouillant.

**B.** Enfoncer et relâcher le gros bouton d'armement sur l'émetteur placé sur la chaîne porte-clefs. Le système répondra par un seul pialement.

**C.** L'indicateur rouge de la D.E.L. montée sur le tableau de bord commence à clignoter, et après six secondes environ, le dispositif de détection de vibrations est activé. Le circuit de détection de tension commence son compte à rebours et après trois minutes environ, l'ouverture d'une porte activant l'allumage d'une lampe fait déclencher l'alarme.

**ATTENTION!** Lorsqu'on a coupé le fil en boucle BLANC au cours de l'installation, le dispositif de détection de tension de l'alarme s'active pendant les 6 secondes suivant l'armement du système (voir ACHÈVEMENT DE L'INSTALLATION, Fil en boucle BLANC). On n'a plus besoin alors d'attendre trois minutes avant que l'ouverture d'une porte provoque le déclenchement de l'alarme.

### 2. Protection pendant que le système est armé

**A.** L'ouverture d'une porte (ou de tout point d'entrée activé par lumière) fera retentir l'alarme immédiatement pendant le cycle complet d'alarme de 60 secondes.

**B.** Pendant que le système est armé, la DEL rouge montée sur le tableau de bord clignotera constamment, ce qui découragera tout voleur potentiel.

**C.** Sous l'effet de tout impact léger au verre ou aux panneaux de carrosserie du véhicule, le système fera retentir immédiatement les pialements avertisseurs, décourageant ainsi toute autre tentative de pénétrer dans le véhicule.

**D.** Sous l'effet de tout impact violent au véhicule, le système se déclenchera immédiatement pour le cycle complet d'alarme de 60 secondes. Au terme du cycle, l'alarme se réarmera et reprendra la surveillance du véhicule.

### 3. Désarmement du système

- A.** De retour au véhicule, enfoncer et relâcher le gros bouton d'armement sur l'émetteur placé sur la chaîne porte-clés. Le système répondra par deux piaulements.
- B.** La DEL rouge montée sur tableau de bord s'éteindra, ce qui indique que le système est désarmé, et qu'on peut entrer dans le véhicule en toute sécurité.

### 4. Désarmement après une intrusion

Lors du désarmement, si le système répond par quatre piaulements, ceci signifie que l'alarme a été déclenchée en son absence. En outre, la DEL rouge montée sur tableau de bord clignotera trois fois ... pause ... clignotera trois fois ... etc., pour aviser ultérieurement du déclenchement de l'alarme.

#### Pour supprimer le clignotement de la DEL après intrusion,

- A.** armer le système, puis le désarmer immédiatement.
- B.** la DEL s'éteindra, et le système sera remis à zéro pour fonctionnement normal.

### 5. Diminution de la sensibilité du détecteur de vibrations à l'aide du transmetteur de porte-clés

Il peut se trouver des circonstances dans lesquelles on veut armer le système tout en réduisant la sensibilité du détecteur de vibrations, ou simplement mettre ce dernier hors circuit. Cette possibilité du dispositif peut être utile pendant les gros orages, ou en cas de stationnement près d'un chantier de construction avec engins lourds.

#### Pour armer et diminuer la sensibilité, il faut:

- A.** Suivre la méthode normale d'armement en appuyant sur le gros bouton du transmetteur de porte-clés.
- B.** Immédiatement après avoir armé, appuyer sur le bouton plus petit du transmetteur de porte-clés et le relâcher sans délai.
- C.** Dans les cinq secondes suivantes environ, la sirène émet un son long, indiquant que la sensibilité du détecteur de vibrations a été réduite de 30 pour cent.

#### Pour armer et mettre le détecteur hors circuit, il faut:

- A.** Suivre la méthode normale d'armement en appuyant sur le gros bouton du transmetteur de porte-clés.
- B.** Immédiatement après avoir armé, appuyer sur le bouton plus petit du transmetteur de porte-clés et le relâcher sans délai deux fois de suite.
- C.** Dans les cinq secondes suivantes environ, la sirène émet un son bref suivi d'un son long, indiquant que le détecteur de vibrations a été mis hors circuit.

**ATTENTION!** Chaque fois que le détecteur de vibrations est réglé à l'aide du transmetteur de porte-clés, le réarmement du système après un désarmement redonne au détecteur de vibrations sa sensibilité opérationnelle normale.

### 6. Télécommande du système anti-panique

L'alarme peut être activée à l'aide du transmetteur de porte-clés pour attirer l'attention sur votre véhicule au cours d'une situation d'urgence.

#### Pour activer le dispositif anti-panique, il faut:

- A.** Appuyer sur le gros bouton du transmetteur de porte-clés et le maintenir enfoncé pendant 3 secondes.
- B.** L'alarme retentit continuellement pendant 60 secondes.
- C.** Pour arrêter l'alarme avant l'écoulement des 60 secondes, appuyer sur le gros bouton du transmetteur de porte-clés et le relâcher sans délai.

**AVERTISSEMENT!** Dans la plupart des pays et circonscriptions, il est illégal de déclencher l'alarme pendant qu'un véhicule se déplace. Pour la sécurité des passagers et des autres véhicules, il ne faut pas activer l'alarme pendant que votre véhicule roule.

### 7. Dérivation d'urgence

Si vous perdez ou égarez votre émetteur, ou si l'émetteur ne désarme pas le système en raison de piles faibles, vous devez passer outre au système de sécurité.

#### À cette fin :

- A.** Ouvrir la porte du conducteur. L'alarme retentira.
- B.** Tirer le levier d'ouverture du capot et ouvrir le capot.
- C.** Repérer le fil ROUGE provenant du module de commande de sirène, et retirer le fusible du porte-fusible.
- D.** Ne pas remettre ce fusible en place tant que l'émetteur n'est pas réparé ou remplacé.
- E.** En réinsérant le fusible, il faut reprogrammer les émetteurs. (se reporter à la section " PROGRAMMATION DES ÉMETTEURS SUR CHAÎNE PORTE-CLEFS ")

### 8. Remplacement des piles du transmetteur

Les transmetteurs de porte-clés ont une petite D.E.L. rouge visible à travers la partie supérieure du boîtier. Cette D.E.L. peut être utilisée comme indicateur de condition de la pile. On se rend compte également de la condition de détérioration de la pile par la réduction effective de la portée du transmetteur. Il faut remplacer la pile par une pile de 12 volts de type GP23A ou équivalent.

#### Pour remplacer la pile du transmetteur, il faut:

- A.** Enlever la petite vis à tête cruciforme du fond du transmetteur et soulever avec précaution le couvercle du boîtier (côté bouton) pour l'enlever du transmetteur.
- B.** Enlever la pile usée, en prenant note de l'orientation des contacts + et -, et s'en débarrasser selon la réglementation.
- C.** Installer la pile neuve, en plaçant les contacts + et - dans le bons sens.
- D.** Remonter le couvercle du transmetteur en prenant soin de n'endommager ni la D.E.L. ni les composants de la carte de circuits intégrés.
- E.** Revisser la petite vis à tête cruciforme au fond du transmetteur.

### DÉPANNAGE:

**Symptôme:** Les transmetteurs ne programment pas le module de commande de la sirène.

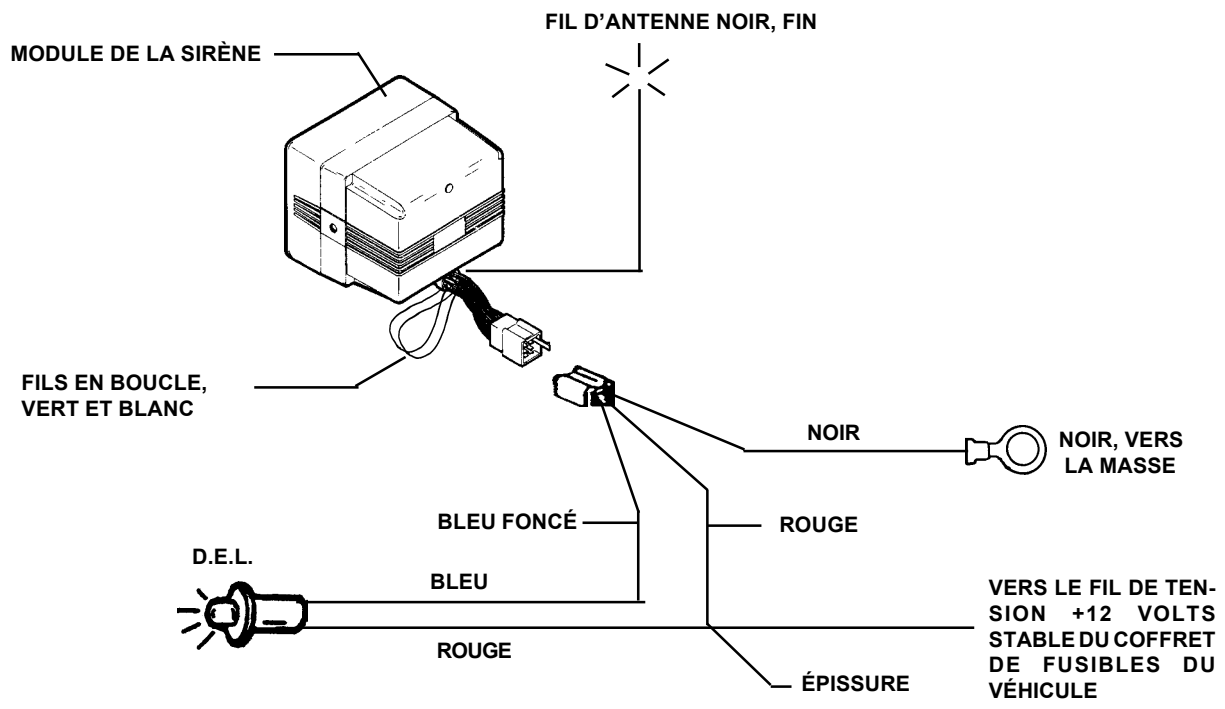
#### Vérification:

- A.** Vérifier que le fusible placé sur le fil ROUGE venant du module de commande de la sirène soit en bon état. Le remplacer s'il a sauté.
- B.** Vérifier que les connexions des fils ROUGE et NOIR ont bien été faites suivant les instructions de la section Câblage du manuel.
- C.** Vous ne disposez que de 15 secondes après avoir mis le module de commande de la sirène sous tension pour programmer les deux transmetteurs.

**Symptôme:** On ne peut ni armer ni désarmer l'alarme avec le transmetteur de porte-clés.

#### Vérification:

- A.** Vérifier que la pile du transmetteur est en bon état. Essayer les deux transmetteurs. Remplacer la pile du transmetteur si nécessaire.
- B.** Vérifier que le transmetteur soit programmé dans le module de commande de la sirène. Lorsque la batterie du véhicule est déconnectée, ou lorsqu'on débranche le module de commande de la sirène, il faut reprogrammer les transmetteurs. Suivre les instructions du manuel relatives à la programmation.
- C.** Vérifier que le fusible placé sur le fil ROUGE venant du module de commande de la sirène soit en bon état. Le remplacer s'il a sauté.
- D.** Vérifier que les connexions des fils ROUGE et NOIR ont bien été faites suivant les instructions de la section Câblage du manuel.



## INSTALACION DE LOS COMPONENTES

### 1. Instalación del módulo de control de la sirena

Seleccione una superficie metálica plana dentro del compartimiento del motor, pero no sobre el motor, para efectuar la instalación del módulo de control de la sirena. Tenga en cuenta que el extremo de la bocina debe estar hacia abajo para impedir que entre agua en el módulo.

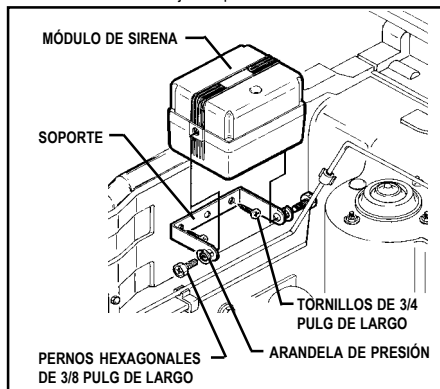
Es preferible buscar un lugar en la mampara cortafuegos al que no se pueda acceder con facilidad desde abajo. Este lugar proporcionará una operación óptima del detector de choque e impedirá que el potencial ladrón desconecte la alarma por abajo del vehículo.

También deberá ubicar el módulo de control lejos de los componentes que se calienten o muevan dentro del compartimiento del motor, y evite aquellas partes por donde correrá agua o se acumulará agua durante una tormenta de lluvia.

#### Para instalar el módulo de control de la sirena:

**A.** Coloque el soporte de montaje del módulo en el sitio elegido utilizando los (2) tornillos largos de 3/4 pulgadas provistos. Agujereee con cuidado un orificio piloto de 1/8 pulgadas de diámetro para comenzar a colocar los tornillos.

**B.** En la mayoría de los casos, si se fijó el soporte a una superficie metálica sólida, podrá conectar el cable NEGRO del arnés de cableado al perno de montaje de la sirena. Con una llave o un adaptador de 10 mm, asegure el módulo de la sirena (un terminal tipo ojal en el extremo del cable NEGRO) al soporte utilizando los (2) bulones de cabeza hexagonal de 3/8 pulgadas de largo y las (2) arandelas divididas de sujeción provistas.



### 2. Instalación del indicador L.E.D. en el tablero de instrumentos

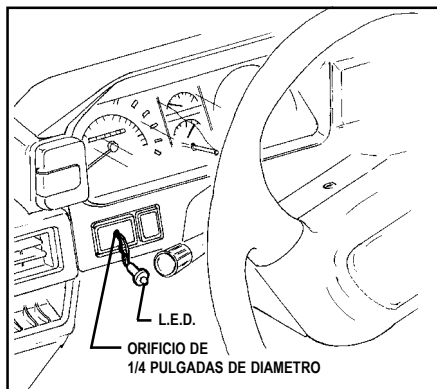
Elija un lugar del tablero de instrumentos o la consola central que proporcionará la mayor visibilidad desde cualquier ángulo afuera del vehículo (la ventanilla del conductor, la ventanilla del pasajero, la ventanilla trasera, etc.)

**IMPORTANTE:** Cerciórese de que haya suficiente espacio para el cuerpo del L.E.D. atrás del panel en el lugar elegido. También deberá asegurarse de que el taladro no perforo ningún cable ni dañe algún otro componente después de pasar por el panel. Siempre es mejor quitar el panel del vehículo antes de perforar el agujero.

#### Para instalar el L.E.D.:

**A.** Perfore un orificio de 1/4 pulgadas de diámetro en el lugar de instalación elegido.

**B.** Pase los cables del L.E.D. por el orificio desde la parte delantera del panel y ejerza presión sobre el cuerpo del L.E.D. hacia adentro del agujero hasta que quede bien asentado.



## CABLEADO DEL SISTEMA

Efectuar las conexiones al vehículo, según lo que se describe en esta sección de cableado, puede representar una tarea que supera los conocimientos técnicos del consumidor medio. Si tiene alguna pregunta respecto de los procedimientos de cableado, sírvase llamar a un técnico especialista en automóviles, o bien llame a la LINEA TELEFONICA SIN CARGO DE AUDIOVOX al 1-800-225-6074. Antes de efectuar alguna conexión, deberá usar un medidor lógico de 12 voltios para confirmar el punto de conexión adecuado.

**IMPORTANTE:** El conector blanco de 4 clavijas que está en el extremo del arnés principal que se enchufa en el módulo de control de la sirena debe quedar desconectado durante la porción de cableado de la instalación. Al dejarlo desconectado, se asegurará de que los transmisores de llavero estén bien programados más adelante en la instalación.

### 1. Colocación del arnés de cables

El cable AZUL OSCURO debe pasarse por la mampara cortafuegos y hacia adentro del compartimiento del pasajero del vehículo, en dirección al L.E.D. del tablero de instrumentos. En la mayoría de los casos, el cable ROJO también se pasará hacia el compartimiento del pasajero, hasta el fusible de la luz de posición auxiliar. Antes de proseguir con la colocación de los cables, verifique la ubicación del fusible de la luz de posición auxiliar, dado que un pequeño porcentaje de los vehículos tienen este fusible en el compartimiento del motor, y en estos casos no será necesario pasar el cable ROJO por la mampara cortafuegos. Después de confirmar la ubicación de estos componentes, pase el cable AZUL OSCURO y ROJO hacia sus puntos de conexión. Trabaje con mucho cuidado al pasar los cables. Mantenga los cables alejados de todas las superficies calientes y de cualquier pieza móvil del vehículo (ventilador del radiador, articulación del acelerador o del pedal de freno, etc.)

Al pasar los cables por la mampara cortafuegos, asegúrese de pasar los cables por algún ojal de goma existente; en caso contrario, se podrían dañar los cables con los bordes metálicos afilados y producir, en última instancia, alguna falla en el sistema de seguridad.



## TERMINACION DE LA INSTALACION

Notará que hay (3) cables adicionales que salen directamente de la salida de goma para cables del módulo de control de la sirena, los que no forman parte del amés principal. Estos cables se usan para adaptar la instalación a las necesidades personales y son necesarios en algunos vehículos.

### 1. Cable fino NEGRO

Este es el cable de la antena para el receptor que está incorporado en el módulo de control de la sirena. Extienda completamente este cable y colóquelo lo más alto posible en el compartimiento del motor para lograr una distancia máxima para el transmisor.

### 2. Cable en bucle BLANCO

Este cable sale de la salida de goma y vuelve inmediatamente a la misma.

Tres minutos después de haber activado la alarma, el circuito de detección de voltaje se activa. Esta detección de voltaje controla el nivel de voltaje del vehículo y cuando nota un cambio (por ejemplo, una puerta se abre y las luces interiores se encienden), se prende la alarma.

Muchos vehículos traen un ventilador refrigerador electrónico, que automáticamente se enciende después de que se apaga el vehículo. Si este ventilador se enciende poco después de que se ha activado la alarma, el sistema no se comenzará a funcionar debido al retardo de tres minutos.

Si su vehículo no tiene un ventilador refrigerador electrónico que se encienda después de que se apaga el vehículo, puede optar por pasar por alto el retardo de activación de tres minutos del circuito detector de voltaje. El sistema puede modificarse para que a los seis segundos después de la activación, se active el circuito detector de voltaje. El retardo de tres minutos puede eliminarse cortando el bucle del cable BLANCO. Después de cortar este bucle del cable BLANCO, aisle individualmente ambos extremos del cable con cinta electroaislante. No corte este bucle si el vehículo está equipado con un ventilado refrigerador electrónico, dado que podrá producirse falsas alarmas.

### 3. Cable en bucle VERDE

Este cable sale de la salida de goma y vuelve inmediatamente a la misma.

Al corta este cable se eliminará la función de detección de voltaje de la alarma. Cuando se corta este cable, al abrir las puertas no se encenderá el sistema. Este cable en bucle deberá cortarse únicamente si desea proteger el vehículo contra golpes abruptos contra los paneles de vidrio o chapa, pero no quiere que la alarma se encienda al abrir una puerta.

## AJUSTE DE LA SENSIBILIDAD DEL DETECTOR DE CHOQUE

El propósito de un detector de choque es "detectar" los impactos fuertes sobre los paneles de vidrio y chapa del vehículo, pero no prestar atención alguna a los golpes suaves que sufra el vehículo. Esta alarma está programada para indicar estos impactos de dos maneras.

Un golpe más suave hará que la alarma emita una serie de sonidos en forma de "pitidos" cortos, advirtiendo a la persona que trate de forzar el vehículo que deje de hacerlo de inmediato.

Un golpe más fuerte hará que la alarma suene durante todo el ciclo de 60 segundos, informándole que se ha producido un intento serio de forzar el vehículo.

**IMPORTANTE:** Al fijar la sensibilidad del detector de choque en un nivel muy alto se producirán falsas alarmas. Se requiere bastante fuerza para romper el vidrio de un automóvil y el detector de choque debe ajustarse en forma acorde.

Antes de proceder con el ajuste, asegúrese de que todos los tornillos que sujetan el módulo de control de la sirena al soporte y que fijan el soporte en el vehículo, estén bien apretados.

### Para ajustar el detector de choque:

**A.** Ubique y quite el pequeño tapón de goma de la parte trasera del módulo de control de la sirena.

**B.** Gire con suavidad el tornillo de ajuste totalmente hacia la izquierda y luego hacia la derecha [en dirección horaria] aproximadamente 1/8 de una vuelta. No gire demasiado el tornillo, dado que la rotación máxima es alrededor de 270°. Deberá dejar de ejercer presión tan pronto como sienta un poco de resistencia.

**C.** Cierre el capó, active la alarma ("1 Pitido") y deje que el detector de choque se estabilice durante seis segundos.

**D.** Golpee con firmeza el paragolpes delantero del vehículo con el costado del puño cerrado, teniendo en cuenta la fuerza que se necesita para romper una ventanilla.

**ATENCION:** Nunca lleve a cabo esta prueba sobre el vidrio del vehículo dado que puede llegar a romperlo.

**E.** Si la alarma no sonó, o si solamente se activaron los pitidos de advertencia, entonces será necesario incrementar la sensibilidad. Desactive la alarma y abra el capó para tener acceso al módulo de control de la sirena.

**F.** Gire con suavidad el tornillo de ajuste 1/8 de vuelta hacia la derecha (se aumenta la sensibilidad) y repita la prueba.

**G.** Repita este procedimiento hasta que la alarma se encienda cuando se trate de un golpe fuerte y la alarma emita pitidos de advertencia cuando el impacto sea menos fuerte.

**H.** Cuando esté listo el ajuste, vuelva a colocar el tapón de goma en la parte trasera del módulo de control de la sirena.

## OPERACION DEL SISTEMA

### 1. Activación del sistema

**A.** Salga del vehículo y cierre y trabe todas las puertas.

**B.** Apriete y suelte el botón de activación más grande del transmisor de llavero. El sistema responderá con un solo pitido.

**C.** El L.E.D. rojo montado en el tablero de instrumentos comenzará destellar y después de aproximadamente seis segundos, la función de detección de choque del sistema se activará. El circuito de detección de voltaje comenzará su cuenta regresiva, y después de aproximadamente tres minutos, al abrirse una puerta activada por las luces se encenderá la alarma.

**IMPORTANTE:** Si se cortó el cable en bucle BLANCO durante el procedimiento de instalación, la función de detección de voltaje de la alarma se activará a los seis segundos de activar el sistema (Véase TERMINACION DE LA INSTALACION, Cable en bucle BLANCO). No tendrá que esperar los tres minutos, al abrirse una puerta se encenderá la alarma.

### 2. Protección mientras el sistema está activado

**A.** Al abrirse una puerta (o cualquier punto de entrada activado por las luces) la alarma sonará de inmediato durante todo el ciclo completo de 60 segundos. Si se instaló el relé para que destelle las luces de estacionamiento, entonces las luces de estacionamiento destellarán en forma intermitente durante el ciclo completo de 60 segundos de la alarma.

**B.** Mientras el sistema está activado, el L.E.D. rojo montado en el tablero de instrumentos destellará constantemente con lo que desalentará a cualquier posible ladrón.

**C.** Todo impacto suave sobre los paneles de vidrio o chapa del vehículo hará que el sistema emita los pitidos de advertencia, desalentando cualquier intento de entrar en el vehículo.

**D.** Todo impacto fuerte sobre el vehículo encenderá de inmediato el sistema, el que sonará durante todo el ciclo de alarma de 60 segundos. Al final del ciclo, la alarma se volverá a activar automáticamente y proseguirá con la protección del vehículo.

### 3. Desactivación del sistema

**A.** Cuando regrese al vehículo, apriete y suelte el botón de activación más grande del transmisor de llavero. El sistema responderá con dos pitidos.

B.El L.E.D. rojo montado en el tablero de instrumentos se apagará, indicando que el sistema está desactivado y que ya se puede entrar al vehículo con seguridad.

#### 4. Desactivación después de una intrusión

Al desactivar, si el sistema responde con cuatro pitidos, usted estará avisado de que se encendió la alarma durante su ausencia. Además, el L.E.D. rojo montado en el tablero de instrumentos parpadeará tres veces ... hará una pausa ... otras tres veces .... etc. para brindarle una indicación visual adicional de que se había encendido la alarma.

#### Para apagar los destellos indicadores de intrusión del L.E.D.

A. Active el sistema y de inmediato desactívelo.

B.El L.E.D. se apagará y el sistema volverá a funcionar normalmente.

#### 5. Reducción de la sensibilidad del detector de choque por medio del transmisor de llavero

Pueden presentarse situaciones en que usted desee activar el sistema, pero reduciendo la sensibilidad del detector de choque, o simplemente quiera apagar totalmente el detector de choque. Esta función puede ser útil durante grandes tormentas de truenos, o cuando estacione el automóvil cerca de una obra en construcción.

#### Para activar y disminuir la sensibilidad de choque:

A. Siga el procedimiento de activación normal apretando el botón más grande del transmisor de llavero.

B.Inmediatamente después de la activación, apriete y suelte el botón más pequeño del transmisor de llavero.

C.A los cinco segundos aproximadamente, la sirena emitirá un pitido prolongado, indicando que la sensibilidad del detector de choque se redujo en un 30 por ciento.

#### Para activar y apagar el detector de choque:

A. Siga el procedimiento de activación normal apretando el botón más grande del transmisor de llavero.

B.Inmediatamente después de la activación, apriete y suelte el botón más pequeño del transmisor de llavero dos veces.

C.A los cinco segundos aproximadamente, la sirena emitirá un sonido de pitido corto, seguido por un pitido prolongado, indicando que se apagó el detector de choque.

**IMPORTANTE:** Todas las veces que se haya ajustado el detector de choque utilizando el transmisor de llavero, la activación y reactivación del sistema servirá para que el detector de choque vuelva a su nivel normal de sensibilidad de operación.

#### 6. Operación a la distancia en caso de emergencia

La alarma puede activarse por medio del transmisor de llavero para atraer la atención al vehículo durante una situación de emergencia.

#### Para activar la función de emergencia:

A.Apriete y mantenga apretado el botón más grande del transmisor de llavero durante 3 segundos.

B.La alarma sonará y continuará haciéndolo durante 60 segundos.

C.Para apagar la alarma antes de que termine el ciclo de 60 segundos, apriete y suelte el botón más grande del transmisor de llavero.

**ADVERTENCIA:** En casi todos lados es ilegal activar la alarma cuando el vehículo se encuentra en movimiento. Por la seguridad de sus pasajeros y los demás motoristas, no active la alarma cuando su vehículo esté en movimiento.

#### 7. Desvío de emergencia

Si pierde o no encuentra el transmisor, o bien si el transmisor no desactiva el sistema porque la pila está en malas condiciones, deberá recurrir a un desvío o derivación del sistema de seguridad.

#### Proceda de la siguiente manera:

A. Abra la puerta del conductor. Sonará la alarma.

B. Levante la palanca del capó y ábralo.

C.Ubique el cable ROJO del módulo de control de la sirena y quite el fusible del portafusibles.

D.No vuelva a colocar este fusible hasta tanto no repare o cambie los transmisores.

E.Cuando vuelva a colocar el fusible, tendrá que reprogramar los transmisores (consulte "PROGRAMACION DE LOS TRANSMISORES DE LLAVERO").

#### 8. Cambio de la pila del transmisor

Los transmisores de llavero tienen un L.E.D. rojo pequeño que se puede ver a través de la tapa superior. Este L.E.D. puede usarse para indicar la condición de la pila. Notará que hay una disminución del rango efectivo del transmisor a medida que se va gastando la pila. Use un pila de 12 voltios tipo GP23A o equivalente.

#### Para cambiar la pila del transmisor:

A. Quite los tornillos pequeños de cabeza Phillips de la parte inferior del transmisor y levante con cuidado la tapa superior (del lado del botón) para quitarla del transmisor.

B.Saque la pila descargada, fijándose en la orientación de los contactos + y - y descártela como corresponda.

C.Instale la pila nueva, teniendo la precaución de colocar los contactos + y - en la posición correcta.

D.Vuelva a colocar la tapa del transmisor, teniendo cuidado para no dañar el L.E.D. o los interruptores de la placa del circuito.

E.Vuelva a instalar el pequeño tornillo Phillips en la parte inferior del transmisor.

#### RESOLUCION DE PROBLEMAS:

**Sintoma:** Los transmisores no programa el módulo de control de la sirena.

#### Verifique:

A.Verifique que el fusible del cable rojo del módulo de control de la sirena esté en buenas condiciones. Reemplácelo si está quemado.

B.Verifique que las conexiones de los cables rojo y negro se hayan hecho de acuerdo con la sección de cableado de este manual.

C.Tiene sólo 15 segundos después de energizar el módulo de control de la sirena para programar ambos transmisores.

**Sintoma:**La alarma no se activa ni desactiva con el transmisor de llavero.

#### Verifique:

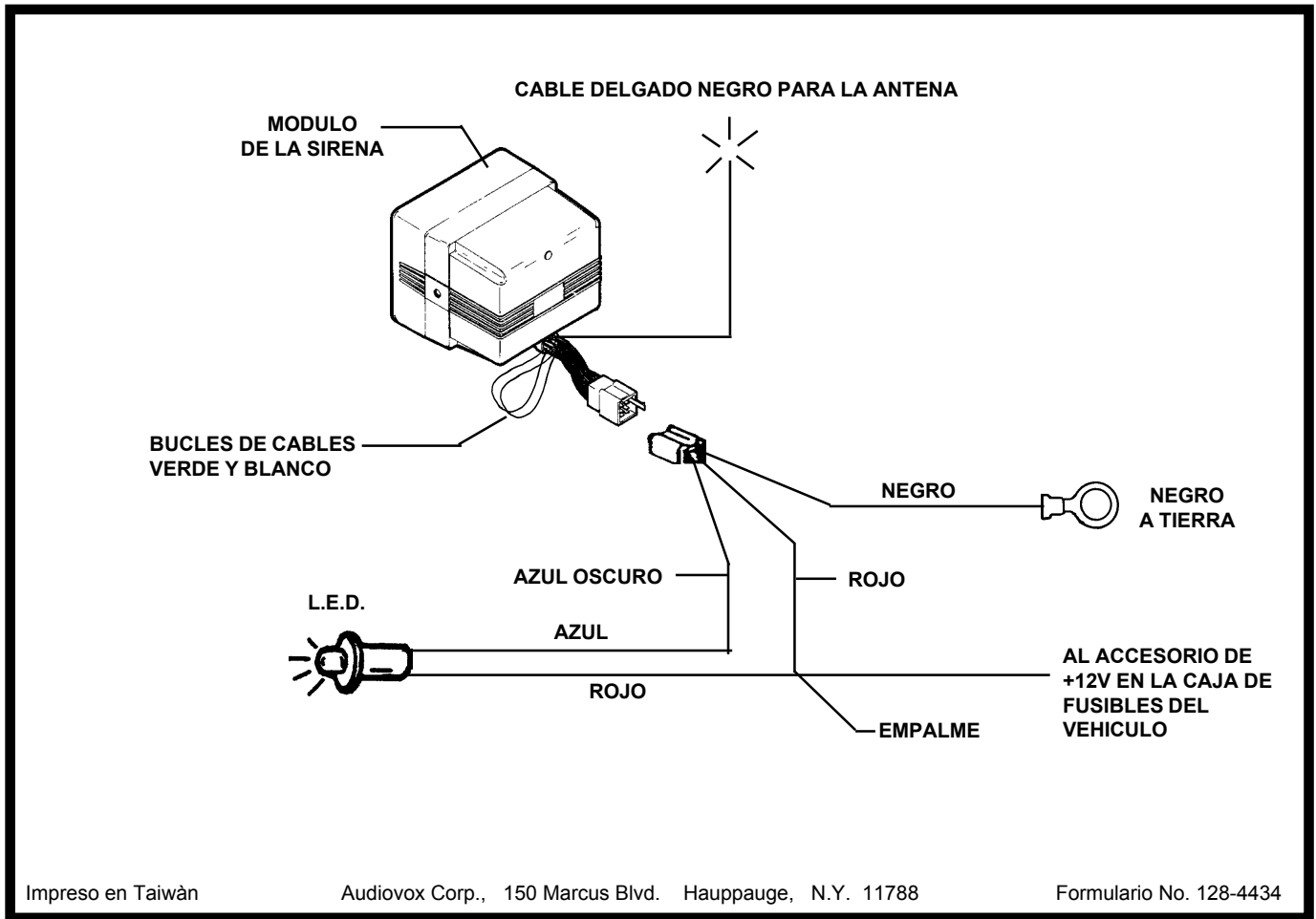
A.Verifique que la pila del transmisor esté en buenas condiciones. Pruebe ambos transmisores. Cambie la pila del transmisor si es necesario.

B.Verifique que el transmisor esté programado en el módulo de control de la sirena. Cuando se desconecta la batería del vehículo, o cuando se desconecta el módulo de control de la sirena, es necesario volver a reprogramar los transmisores. Siga las instrucciones de programación de este manual.

C.Verifique que el fusible del cable rojo del módulo de control de la sirena esté en buenas condiciones. Cámbielo si está quemado.

D.Verifique que las conexiones de los cables rojo y negro se hayan hecho de acuerdo con las secciones de cableado de este manual.





# **AUTO SECURITY BY AUDIOVOX**

## **Model AA-931**

**SISTEMA ATIVO DE SEGURANÇA DE AUTOMÓVEIS COM CONTROLE REMOTO E  
SENSOR DE CHOQUES INTEGRADO DE 2 ESTÁGIOS**

**GUIA DE INSTALAÇÃO E MANUAL DO PROPRIETÁRIO**

## Apresentação

Seu novo Sistema de Segurança de Automóveis AA-931 foi projetado com diversas características avançadas, que o ajudarão a manter a segurança do seu veículo e dos seus pertences.

Dispense alguns momentos e leia este manual, que lhe fornecerá informações importantes, que o ajudarão a desfrutar do potencial do seu sistema. O procedimento de instalação deve ser executado na ordem apresentada neste manual, assim assegurando uma instalação rápida e sem problemas. Lembre-se, se tiver dúvidas durante a instalação, ligue para: 1-800-225-6074, LINHA HOT-LINE DE INSTALAÇÃO DA AUDIOVOX

### ÍNDICE

#### COMPONENTES DE MONTAGEM

Montagem do módulo de controle da sirena.....	1
Montagem do indicador L.E.D. do painel de instrumentos.....	

#### FIAÇÃO DO SISTEMA.....1-2

Encaminhamento da rede de fiação

Conexão do fio VERMELHO

Conexão do fio PRETO

Conexão do fio AZUL MARINHO

Conexão do fio VERMELHO (do L.E.D.)

#### PROGRAMAÇÃO DOS CHAVEIROS TRANSMISSORES.....2

#### CONCLUSÃO DA INSTALAÇÃO.....3

Fio fino PRETO

Fio em circuito BRANCO

Fio em circuito VERDE

#### AJUSTE DE SENSIBILIDADE DO SENSOR DE CHOQUES.....3

#### FUNCIONAMENTO DO SISTEMA.....3-4

Ativação do Sistema

Proteção enquanto o sistema está ativado

Desativação do sistema

Desativação após intrusão

Diminuição de sensibilidade do Sensor de Choques

Operação remota de emergência

Desvio de emergência

Troca da pilha do transmissor

#### RESOLUÇÃO DE PROBLEMAS.....4

#### DIAGRAMA ESQUEMÁTICO.....5

## MONTAGEM DOS COMPONENTES

### 1. Montagem do Módulo de Controle da Sirena

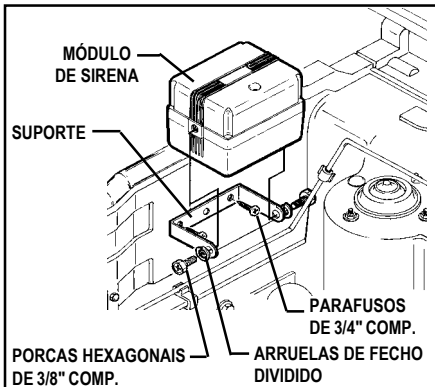
Escolha uma superfície de metal plana, dentro do compartimento do motor, que não seja o motor em si, para montar o módulo de controle da sirena. Lembre-se de que a corneta deve estar voltada para baixo, desta forma impedindo a entrada de água no módulo.

É preferível uma localização no guarda-fogo, sem acesso fácil pela parte inferior do veículo. Esta localização otimiza o funcionamento do sensor de choques, impedindo o ladrão em potencial de desligar o alarme pela parte inferior do veículo.

O módulo de controle também deve estar situado longe de fontes de calor ou componentes móveis do motor, evitando-se áreas onde hajam escoamento ou acúmulo de água durante tempestades fortes.

#### Para montar o módulo de controle da sirena:

- A. Prenda o suporte de montagem do módulo na localização escolhida, utilizando os parafusos longos de 2 3/4" fornecidos com o aparelho. Perfure cuidadosamente um buraco de 1/8" de diâmetro, para inserção dos parafusos.
- B. Na maioria dos casos, se o suporte for preso a uma superfície de metal sólida, você poderá conectar o fio PRETO da rede de fiação à porca de montagem da sirena. Utilizando uma chave inglesa ou chave tubular de 10 mm, prenda o módulo de sirena (e terminal de ilhós na extremidade do fio PRETO) ao suporte, utilizando as (2) porcas de cabeça hexagonal de 3/8" de comprimento e as (2) arruelas de fecho dividido fornecidas com o aparelho.



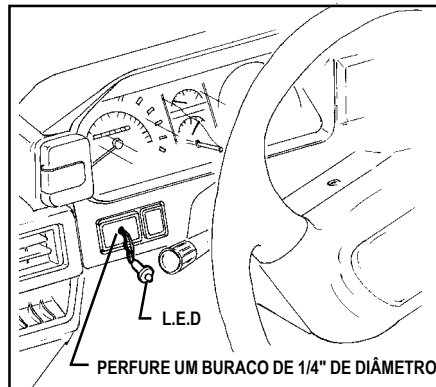
### 2. Montagem do Indicador L.E.D. do Painel de Instrumentos

Selecione uma área no painel de instrumentos ou console central, visível de todos os ângulos do exterior do veículo (janela do motorista, janela do passageiro, para-brisas traseiro, etc.).

**IMPORTANTE!** Assegure-se de que há espaço adequado para o corpo do L.E.D. atrás do painel de instrumentos, no local escolhido. Assegure-se também de que o furo não cortou nenhum fio, nem danificou outros componentes ao passar pelo painel. É sempre preferível remover o painel de instrumentos do veículo antes de perfurá-lo.

#### Para montar o L.E.D.

- A. Perfure um buraco de 1/4" de diâmetro na localização selecionada para montagem.
- B. Passe os fios do L.E.D. no buraco, pela frente do painel de instrumentos, pressionando o corpo do L.E.D. no buraco até que este esteja completamente assentado.



Página 1

## FIAÇÃO DO SISTEMA

A tarefa de fazer as conexões no veículo, segundo descrevemos nesta seção de fiação, pode ser um pouco complicada para a capacidade técnica do consumidor típico. Se tiver dúvidas sobre os procedimentos de fiação, por favor, ligue para um mecânico qualificado ou ligue para a LINHA HOT LINE da AUDIOVOX, no número 1-800-225-6074. Antes de fazer as conexões, utilize uma sonda lógica para confirmar o ponto de conexão apropriado.

**IMPORTANTE!** Um conector branco de 4 pinos situado na extremidade das redes principais, ligado no módulo de controle da sirena, deve ficar desligado durante a instalação da fiação. Isto permite que os chavesiros transmissores sejam programados adequadamente posteriormente.

### 1. Encaminhamento da Rede de Fiação

O fio AZUL MARINHO deve ser encaminhado através do guarda-fogo, para o interior da cabine de passageiros, através do L.E.D. do painel de instrumentos. Na maioria dos casos, o fio VERMELHO deverá ser encaminhado para o interior da cabine de passageiros, para o fusível da luz de cortesia. Antes de encaminhar o fio, verifique a localização do fusível da luz de cortesia, pois, em um número pequeno de veículos, o fusível é situado no compartimento do motor, e, nestes casos, não será necessário encaminhar o fio VERMELHO através do guarda-fogo.

Após confirmar a localização destes componentes, encaminhe os fios AZUL e VERMELHO através dos seus respectivos pontos de conexão. Tome cuidado ao encaminhar os fios. Mantenha os fios longe de todas as superfícies quentes, e de quaisquer peças móveis do veículo (ventiladores do radiador, junções dos pedais do acelerador ou freio, etc.).

Ao encaminhar os fios através do guarda-fogo, assegure-se de passar os fios através de qualquer anel de borracha existente. Caso contrário, isto pode acarretar em danos aos fios, causados por bordas de metal afiadas e eventual colapso do sistema de segurança.

## 2. Conexão do fio VERMELHO

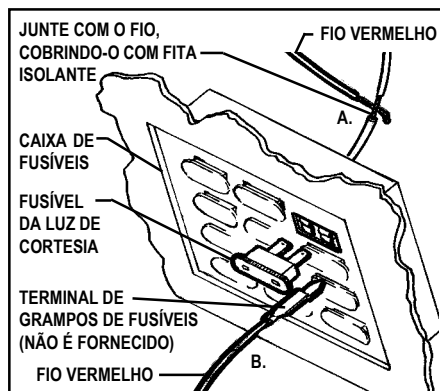
Localize o fusível da lâmpada de cortesia. Ambos os lados do fusível indicarão + 12 Volts na sonda lógica enquanto o fusível estiver ligado. Remova o fusível, e teste os contatos nos quais o fusível é ligado. Um dos contatos não deverá indicar + 12 Volts. É aqui que o fio VERMELHO deverá ser conectado.

### Método de Conexão A:

- Localize o fio procedente deste terminal de fusíveis, da parte traseira da caixa de fusíveis.
- Junte o fio VERMELHO da rede com este fio, isolando-o com fita isolante.

### Método de Conexão B:

- Terminais de grampos de fusíveis, que serão ligados nos contatos do fusível, são vendidos na maioria das lojas de produtos eletrônicos. Este método de conexão poderá ser mais fácil em alguns veículos.
- Consulte as instruções específicas fornecidas com os terminais de grampos de fusíveis.



## 3. Conexão de Fio PRETO

O fio PRETO mais grosso (não o fio preto da antena, que é mais fino), deverá ser conectado ao terra durante o procedimento de montagem do módulo de sirena. Se não tiver certeza sobre a confiabilidade do terra do suporte de montagem do módulo de sirena, poderá conectar o ilhós na extremidade do fio PRETO a qualquer parafuso que não tenha sido pintado, no guarda-fogo ou pára-lama, que seja rosqueado diretamente a uma superfície metálica do veículo.

## 4. Conexão do fio AZUL MARINHO

Conecte o fio AZUL MARINHO das redes principais ao fio AZUL no L.E.D. montado no painel de instrumentos. Não se esqueça de isolar esta conexão com fita isolante.

## 5. Conexão do fio VERMELHO (Do L.E.D.)

Junte o fio Vermelho do L.E.D. montado no painel de instrumentos ao fio VERMELHO maior das redes principais. Não se esqueça de isolar a junção com fita isolante.

## PROGRAMAÇÃO DOS CHAVEIROS TRANSMISSORES

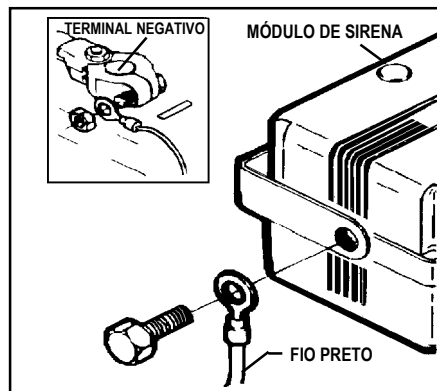
Os dois chaveiros transmissores incluídos com este sistema são transmissores de Frequência de Rádio com a capacidade de aprender códigos, o que significa que o módulo de controle de sirena aprenderá e lembrará os números de códigos individuais de cada transmissor. O módulo de controle de sirena somente aprenderá os códigos de (dois) 2 transmissores.

**IMPORTANTE!** Guarde estas instruções de programação em um local onde seja fácil achá-las no futuro. Sempre que a bateria do veículo for desligada para manutenção, os transmissores deverão ser reprogramados.

### Para Programar os Transmissores:

- O conector das redes principais deverão ser desligados do módulo de controle da sirena durante esta etapa do procedimento de instalação. Caso contrário, desligue o conector.
- Assegure-se de ter ambos os chaveiros transmissores em mãos, e então ligue o conector de rede principal no módulo de controle de sirena.
- Aperte e segure o botão de ativação no transmissor número 1 até que sirena fazer um chilreado longo.
- Aperte e segure, imediatamente, o botão de ativação maior no transmissor número 2 até a sirena fazer um chilreado longo.
- Ambos os transmissores deverão estar programados. Você poderá testá-los apertando o botão de ativação de cada transmissor, resultando na indicação "ATIVADO" ou "DESATIVADO" no módulo de sirena.

**IMPORTANTE!** Se somente um transmissor estiver funcionando, repita o procedimento de programação. Quando o conector de rede estiver ligado, você só terá 16 segundos para programar ambos os transmissores. Este período curto é necessário para aumentar o grau de segurança.



## CONCLUSÃO DA INSTALAÇÃO

Você notará que existem (3) fios adicionais, diretamente procedentes do protetor de borracha da saída de fios do módulo de controle da sirena, que não fazem parte das redes principais. Estes fios são utilizados para customizar a instalação, e são exigidos em alguns veículos.

### 1. Fio PRETO fino

Este é fio da antena para o receptor instalado no módulo de controle da sirena. Extenda este fio completamente, encaminhando-o na altura máxima permitida no compartimento do motor, para garantir o máximo de alcance.

### 2. Fio em Circuito BRANCO

Este fio sai do protetor de borracha, voltando imediatamente ao protetor de borracha.

Três minutos após o alarme ter sido ativado, o circuito sensor de voltagem se torna ativado. Este sensor de voltagem monitora o nível de voltagem no veículo, e, quando detecta uma mudança (p.ex, quando uma porta é aberta, e a luz interior é ligada), o alarme é disparado.

Muitos veículos são equipados com um ventilador de refrigeração eletrônico, que é ligado automaticamente após o veículo ser desligado. Se o ventilador for ligado após o alarme ter sido ativado, o sistema não disparará devido ao atraso de três minutos.

Se o seu veículo não tem um ventilador de refrigeração eletrônico que é ligado após o veículo ter sido desligado, poderá optar pela não utilização do atraso de três minutos da ativação do circuito sensor de voltagem. O sistema pode ser modificado de modo que, seis segundos após ativação, o circuito sensor de voltagem seja ativado. O atraso de três minutos pode ser eliminado cortando-se o fio em Circuito BRANCO. Após cortar o fio em circuito BRANCO, isole ambas as extremidades do fio, individualmente, com fita isolante.

Não corte este circuito se seu veículo é equipado com um ventilador de refrigeração eletrônico, pois isto acarretará em alarmes falsos.

### 3. Fio em Circuito VERDE

Este fio sai do protetor de borracha, imediatamente voltando à saída de borracha.

Ao cortar este fio, você elimina o sensor de voltagem do alarme. Quando este fio foi cortado, a abertura das portas não dispara o sistema. Este fio em circuito só deve ser cortado se você deseja proteger seu veículo contra impactos súbitos nos vidros ou carroceria, mas não quer que o alarme dispare quando a porta abre.

## AJUSTE DA SENSIBILIDADE DO SENSOR DE CHOQUES

O propósito do detector de choques é sentir impactos fortes nos vidros e carroceria do veículo, ao mesmo tempo ignorando pequenas pancadas no veículo. Este alarme é programado de forma a acusar estes impactos de duas maneiras.

Um impacto mais leve fará com que o sistema produza uma série de chilreados curtos, avisando a pessoa que está mexendo no veículo, para que esta pare imediatamente.

Um impacto mais forte fará com que o alarme soe por um ciclo completo de 60 segundos, informando-o que ocorreu uma tentativa de infração mais séria.

**IMPORTANTE!** O ajuste da sensibilidade do sensor de choques a um nível muito alto ocasiona alarmes falsos. Muita força é necessária para quebrar um vidro de automóvel, e o sensor de choque deverá ser ajustado adequadamente.

Antes de fazer o ajuste, verifique se todos os parafusos que prendem o módulo de controle da sirena no suporte e prendem o suporte no veículo, estão bem presos.

### Para ajustar o sensor de choques:

**A.** Localize e remova a tampa de borracha pequena situada na traseira do módulo de controle da sirena.

**B.** Vire cuidadosa e completamente o parafuso de ajuste no sentido anti-horário, e depois no sentido horário, fazendo aproximadamente 1/8 de volta. Não vire este parafuso excessivamente, pois a rotação máxima permitida é aproximadamente 270°. Você deve deixar de aplicar pressão logo que sentir um pouco de resistência.

**C.** Feche o capô, ative o alarme ("1 CHILREADO") e espere seis segundos para o sensor de choques se estabilizar.

**D.** Bata com força no para-choque dianteiro do veículo, com a lateral do seu punho, utilizando força suficiente para quebrar uma janela.

**CUIDADO!** Nunca faça este teste em vidro do veículo, pois você poderá acabar quebrando uma janela.

**E.** Se o alarme não soar, ou se somente os chilreados de aviso forem ativados, então a sensibilidade deverá ser aumentada. Desative o alarme, e abra o capô para ter acesso ao módulo de controle da sirena.

**F.** Vire o parafuso de ajuste, cuidadosamente, 1/8 da circunferência, em sentido horário (aumentando a sensibilidade), repetindo o teste.

**G.** Repita este procedimento até a batida forte causar o disparo do alarme, e um impacto mais leve cause os chilreados de aviso.

**H.** Quando tiver feito o ajuste, coloque a tampa de borracha de volta na traseira do módulo de sirena.

## FUNCIONAMENTO DO SISTEMA

### 1. Ativação do Sistema

**A.** Saia do veículo, feche e tranque todas as portas.

**B.** Aperte e solte o botão de ativação maior do chaveiro transmissor. O sistema responderá com um único chilreado.

**C.** O L.E.D. vermelho, montado no painel de instrumentos, começará a piscar, e aproximadamente seis segundos após, o sensor de choques do sistema será ativado. O circuito de sensor de voltagem começará a contagem regressiva, e, aproximadamente três minutos depois, a abertura de uma porta ativada por luz disparará o alarme.

**IMPORTANTE!** Se o fio em circuito BRANCO for cortado durante o procedimento de instalação, o sensor de voltagem do alarme será ativado seis segundos após ativação do sistema. (veja CONCLUSÃO DA INSTALAÇÃO, Fio em Circuito BRANCO). Você não precisará esperar três minutos antes da abertura de porta causar o disparo do alarme.

### 2. Proteção Enquanto o Sistema Estiver Ativado

**A.** A abertura de uma porta (ou qualquer ponto de entrada ativado por luz) fará com que o alarme soe imediatamente durante um ciclo completo de 60 segundos.

**B.** Enquanto o sistema estiver armado, o L.E.D. vermelho montado no painel de instrumentos piscará constantemente, desencorajando ladrões em potencial.

**C.** Qualquer impacto leve no vidro do veículo ou na carroceria fará com que o sistema produza imediatamente os chilreados de aviso, desencorajando tentativas adicionais de entrar no veículo.

**D.** Qualquer impacto forte no veículo fará com que o sistema dispare imediatamente durante um ciclo completo de alarme, de 60 segundos. No fim do ciclo, o alarme será reativado, voltando a monitorar o veículo.

### 3. Desativação do sistema

**A.** Quando você voltar ao veículo, aperte e solte o botão de ativação maior do chaveiro transmissor. O sistema responderá com dois chilreados.

**B.** O L.E.D. vermelho montado no painel de instrumentos será desligado, indicando a desativação do sistema, e que é seguro entrar no veículo.

### 4. Desativação após Intrusão

Se você ouvir quatro chilreados ao desativar, o sistema o está alertando que o alarme foi disparado durante a sua ausência. Além disso, o L.E.D. vermelho montado no painel de instrumentos da reagirá da seguinte forma: pisca 3 vezes...para...pisca 3 vezes... etc., assim indicando que o alarme foi disparado.

#### Para eliminar o aviso de intrusão do L.E.D.

- A. Ative o sistema, então desative-o imediatamente.
- B. O L.E.D. será desligado, e o sistema voltará ao funcionamento normal.

#### 5. Diminuição de sensibilidade do Sensor de Choques, utilizando o Chaveiro transmissor

Em algumas circunstâncias, você poderá desejar ativar o sistema, mas diminuir a sensibilidade do sensor de choques, ou simplesmente desligar o sensor de choques. Esta característica será útil durante tempestades fortes, ou quando o veículo estiver estacionado diretamente ou próximo de locais onde está sendo feita construção pesada.

#### Para ativar e diminuir a sensibilidade de choque

- A. Siga o procedimento de ativação normal, apertando o botão maior do chaveiro transmissor.
- B. Imediatamente após ativação, aperte e solte o pequeno botão situado no chaveiro transmissor.
- C. Em aproximadamente cinco segundos, a sirena fará um longo ruído, indicando que a sensibilidade do sensor de choques foi reduzida 30 por cento.

#### Para ativar e desligar o sensor de choques

- A. Siga o procedimento de ativação normal, apertando o botão maior do chaveiro transmissor.
- B. Imediatamente após a ativação, aperte e solte duas vezes o pequeno botão do chaveiro transmissor.
- C. Em aproximadamente cinco segundos, a sirena fará um chilreado curto, seguido de um ruído longo, indicando que o sensor de choque foi desligado.

**IMPORTANTE!** Sempre que o sensor de choque for ajustado utilizando-se o chaveiro transmissor, a ativação e desativação do sistema voltará o sensor de choque para a sensibilidade normal.

#### 6. Operação Remota de Pânico

O alarme pode ser ativado com o chaveiro transmissor, para chamar atenção a seu veículo durante uma emergência.

#### Para ativar o alarme de pânico

- A. Aperte e segure o botão maior do chaveiro transmissor, durante 3 segundos
- B. O alarme soará, e continuará a soar durante 60 segundos.

- C. Para silenciar o alarme antes de passados 60 segundos, aperte e solte o botão maior do chaveiro transmissor.

**CUIDADO!** Na maioria das áreas, é ilegal ativar o alarme enquanto o veículo estiver em movimento. Para assegurar a segurança dos passageiros e dos outros motoristas, não ative o alarme enquanto o veículo estiver em movimento.

#### 7. Desvio de Emergência

Se você perder ou não achar seu transmissor, ou se o transmissor deixar de desativar o sistema devido a má condição da pilha, você tem que desviar do sistema de segurança.

#### Para fazê-lo, você deve:

- A. Abrir a porta do lado do motorista. O alarme soará.
- B. Puxe a alavanca de abertura do capô, abrindo-o.
- C. Localize o fio VERMELHO do módulo de controle de sirena, e remova o fusível do porta-fusíveis.
- D. Não re-coloque o fusível sem que os transmissores sejam consertados ou trocados.
- E. Ao re-inserir o fusível, será necessário reprogramar seus transmissores (consulte "PROGRAMAÇÃO DOS CHAVEIROS TRANSMISSORES").

#### 8. Troca da pilha do transmissor

Os chaveiros transmissores são equipados com um L.E.D. vermelho visível através da tampa superior. Este L.E.D. pode ser utilizado para indicar a condição da bateria. Você também notará uma diminuição no alcance efetivo do transmissor, à medida em que a condição da pilha deteriora.

Você deverá utilizar uma bateria de 12 volts, do tipo GP23A ou equivalente.

#### Para trocar a pilha do transmissor:

- A. Remova o pequeno parafuso phillips da parte inferior do transmissor, e cuidadosamente separe a tampa (do lado dos botões) do transmissor.
- B. Remova a pilha descarregada, prestando atenção à orientação dos polos negativo e positivo, jogando-a fora de forma adequada.
- C. Instale a pilha nova, lembrando-se de colocar os contatos + e - na posição correta.
- D. Coloque a cobertura do transmissor de volta, cuidadosamente, de forma a não danificar o L.E.D. ou contatos na placa de circuitos.
- E. Insira o parafuso phillips pequeno no fundo do transmissor.

#### RESOLUÇÃO DE PROBLEMAS:

**Sintoma:** Não consigo programar o módulo de controle de sirena com os transmissores

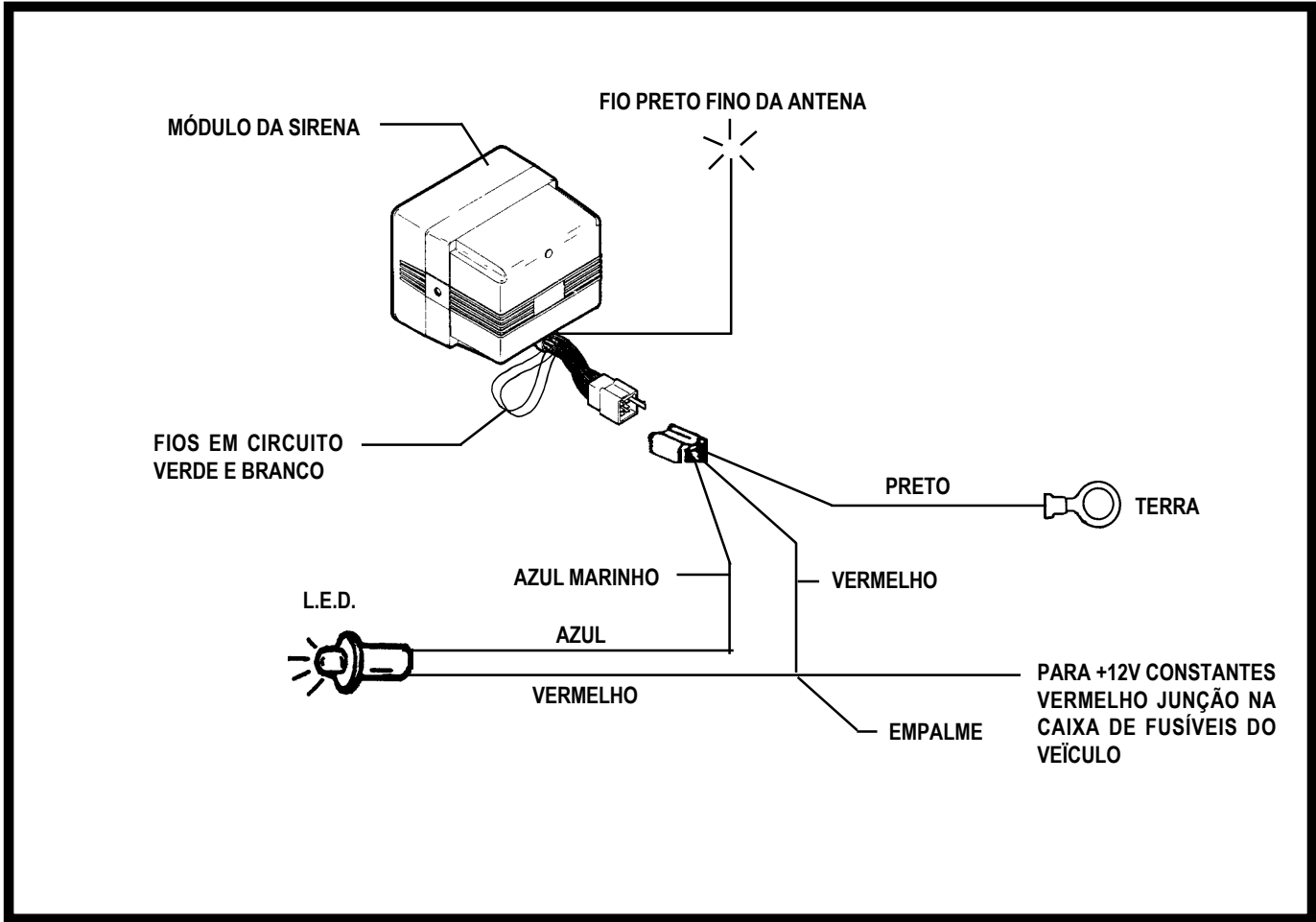
#### Verifique:

- A. se o fusível do fio vermelho do módulo de controle de sirena está em boas condições. Troque-o se tiver queimado.
- B. se as conexões dos fios vermelho e preto foram feitas segundo descrito na seção de fiação deste manual.
- C. que você tem somente 15 segundos após ligar a eletricidade ao módulo de controle de sirena, para programar ambos os transmissores.

**Sintoma:** Não consigo ativar ou desativar o alarme usando o chaveiro transmissor

#### Verifique:

- A. Se a pilha do transmissor está em boas condições. Teste ambos os transmissores. Troque a pilha do transmissor, se necessário.
- B. Se o transmissor está programado com o módulo de controle da sirena. Quando a bateria do veículo é retirada, ou quando se desliga a eletricidade do módulo de controle de sirena, os transmissores devem ser reprogramados. Siga as instruções de programação contidas neste manual.
- C. Se o fusível do fio vermelho do módulo de controle da sirena está em boas condições. Troque-o se tiver queimado.
- D. Se as conexões entre os fios vermelho e preto foram feitas de acordo com a seção de fiação deste manual.







## GARANTIA LIMITADA DE 12 MESES

Para módulos de controle, relés, transmissores, sensores e sirenas

AAUDIOVOX CORPORATION (a Empresa) garante ao comprador original deste produto, no varejo, que se for comprovado que este aparelho, ou qualquer parte do mesmo, tem defeito de matéria prima ou de fabricação dentro de um prazo de 12 meses após a data da compra original, que o(s) defeito(s) será(ão) consertado(s) ou trocado(s) (a critério exclusivo da Empresa) sem custo de peças ou mão de obra.

Para consertar ou fazer trocas, segundo os termos desta Garantia, o produto deverá ser entregue, com prova de cobertura da garantia (por exemplo, recibo de compra), especificação do(s) defeito(s), frete previamente pago, a um centro de assistência técnica credenciado ou para a Empresa no endereço abaixo.

Esta garantia não cobre despesas contraídas com a remoção ou reinstalação do produto, ou danos causados a sistemas elétricos de veículos.

Esta Garantia não cobre pilhas nem se aplica a qualquer produto ou parte deste que, na opinião da Empresa, tenha sido submetido ou danificado através de alteração, instalação errada, manuseio inadequado, uso inadequado, negligência, acidente, ou por remoção ou desfiguração do número de série/etiqueta(s) de código de barra.

Esta Garantia substitue todas as outras garantias ou obrigações explícitas. QUAISQUER GARANTIAS IMPLÍCITAS, INCLUINDO GARANTIA IMPLÍCITA DE COMERCIALIZABILIDADE, SE LIMITARÃO AO PRAZO DESTA GARANTIA ESCRITA. QUALQUER AÇÃO JURÍDICA RELACIONADA À VIOLAÇÃO DESTA GARANTIA, INCLUINDO GARANTIA IMPLÍCITA DE COMERCIALIZABILIDADE, DEVE SER INICIADA DENTRO DE UM PERÍODO DE 30 MESES APÓS A DATA DA COMPRA ORIGINAL. A EMPRESA NÃO DEVERÁ SER RESPONSABILIZADA POR DANOS CONSEQUENTES OU INCIDENTAIS REFERENTES À VIOLAÇÃO DESTA OU QUALQUER OUTRA GARANTIA, EXPLÍCITA, IMPLÍCITA OU OUTRA. Nenhuma pessoa ou representante encontra-se autorizado a assumir responsabilidades em nome da companhia, salvo aquelas mencionadas aqui, referentes à venda deste produto.

A Companhia não garante que este produto não pode ser dominado ou burlado. A RESPONSABILIDADE DA EMPRESA, SEGUNDO OS TERMOS DESTA GARANTIA, SE LIMITA AO CONSERTO OU TROCA PRESCRITOS ACIMA, E, EM NENHUM CASO, A RESPONSABILIDADE DA EMPRESA DEVERÁ EXCEDER O PREÇO PAGO PELO COMPRADOR NA COMPRA DO PRODUTO.

Alguns estados não permitem limitações sobre a duração de garantias implícitas ou a exclusão ou a limitação de danos incidentais ou consequenciais, de forma que as limitações ou exclusões acima possivelmente não se aplicam ao seu caso. Esta Garantia lhe proporciona direitos específicos, e você também poderá ter outros direitos, que variam de estado para estado.

**U.S.A.:** AUDIOVOX CORPORATION, 150 MARCUS BLVD, HAUPPAUGE, NEW YORK 11788 (516) 231-6051

**CANADÁ:** AUDIOVOX CANADA LTD., 1070 KAMATO ROAD, UNIT 15, MISSISSAUGA, ONT. CANADA L4W-2W5 (905) 629-1400

Form. No. 128-4118C

Audiovox Corp., 150 Marcus Blvd, Hauppauge, N.Y. 11788

Formulário nº 128-4434

## Free Manuals Download Website

<http://myh66.com>

<http://usermanuals.us>

<http://www.somanuals.com>

<http://www.4manuals.cc>

<http://www.manual-lib.com>

<http://www.404manual.com>

<http://www.luxmanual.com>

<http://aubethermostatmanual.com>

Golf course search by state

<http://golfingnear.com>

Email search by domain

<http://emailbydomain.com>

Auto manuals search

<http://auto.somanuals.com>

TV manuals search

<http://tv.somanuals.com>